



CHEVROLET



2025

Chevrolet BrightDrop 400/600



Copyright 2024 General Motors. All rights reserved.

Chevrolet, BrightDrop and their logos are registered trademarks of General Motors

Pre-production model shown throughout. Actual production model may vary. Shown with equipment from independent suppliers not covered by the GM New Vehicle Limited Warranty GM is not responsible for the safety or quality of independent supplier alterations.

About This Publication

This catalog is not updated during the model year and should not be used for ordering purposes. It is intended as a source of basic information. All illustrations and specifications in this literature are based on the latest product information available at the time of publication. General Motors reserves the right to make changes at any time without notice. For further details consult your local dealer or visit <https://www.gmupfitter.com>.

Care must be taken during customer installation of equipment and wiring to ensure that all holes drilled in the body are corrosion protected, properly sealed and that vehicle wiring harnesses, piping or other components have not been displaced or damaged. Aftermarket equipment installers must be mindful of applicable Federal Motor Vehicle Safety Standards. This information can be obtained directly from the National Highway Traffic Safety Administration. Adding non-dealer accessories or making modifications to the vehicle can affect vehicle performance, mileage, etc.

The technical information in this catalog is intended for use by professional technicians. They are to inform these technicians of conditions that may occur on some vehicles, or to provide information that could assist in the proper service and/or modification of a vehicle. If a condition is described, DO NOT assume that this applies to your vehicle or that your vehicle will have that condition. Contact GM Upfitter Integration for information on whether the information is applicable to your vehicle.

These vehicles are equipped with an airbag system. The airbag system in your vehicle includes frontal driver and front outboard passenger airbags, front seat back side impact airbags and roof rail mounted head-curtain airbags. Customer installed equipment such as security barriers behind the front seats should not be mounted so that the barrier ends are within the side airbag deployment zones. The sensors and other components for the airbag system must not be relocated to accommodate the installation of customer furnished equipment; please refer to the service manual for sensor and other component locations. For information concerning instrument panel top pad mounted equipment and airbag system deployment zones, see the airbag information section in this catalog and the vehicle owners manual.

A note about vehicle alterations by independent suppliers: This catalog shows pictures of vehicles that have been altered or upfitted with equipment or components supplied to Chevrolet or its dealers by independent suppliers. GM is not responsible for the safety or quality of design features, materials or workmanship of any alterations by third parties.



25MY CHEVROLET BrightDrop 400& 600



BrightDrop 400 FWD CJ32705
BrightDrop 400 AWD CM32705



BrightDrop 600 FWD CJ32905
BrightDrop 600 AWD CM32905

INDEX

- **STANDARD FEATURES**
- **OPTIONAL FEATURES**
- **EXTERIOR COLORS and PANEL DIMENSIONS**
- **BODY STRUCTURE AND DIMENSIONS**
- **SPECIFICATIONS**
- **CHARGING SPECIFICATIONS**
- **ELECTRICAL CIRCUIT DIAGRAMS**
- **UPFITTER ELECTRICAL WIRING PROVISIONS**
- **SEATING H-POINTS**
- **NO DRILL / NO CUT ZONES, Emergency Response Guide information**
- **UPFITTER INTEGRATION LINKS**
- **AIRBAG DIMENSIONS & FAQ**
- **OnStar® OPTIONS**
- **EMISSIONS**
- **MAINTENANCE AND LIMITED WARRANTY**

STANDARD SAFETY FEATURES

AIRBAGS¹	Frontal for driver, roof-rail and side-impact for driver and front passenger.
ADAPTIVE CRUISE CONTROL²	Allows you to set a cruise control speed and automatically follow a detected vehicle ahead at a driver selected following gap. If no vehicle is detected in your path, the feature works like regular cruise control. You can always override the feature and take control.
BLIND ZONE STEERING ASSIST²	Can alert you and provide a brief, firm turn of the steering wheel when a potential crash is detected with a moving vehicle in the lane you're entering.
BUCKLE TO DRIVE¹	Prevents vehicle from being shifted out of Park until driver seat belt is fastened; times out after 20 seconds and encourages seat belt use, can be turned on and off through the vehicle infotainment screen.
ENHANCED AUTOMATIC EMERGENCY BRAKING²	At speeds above 2mph, Enhanced Automatic Emergency Braking can help you avoid or reduce the severity of a collision with a detected vehicle you're following. Radar and camera technology are used to automatically provide hard emergency braking or enhance the driver's hard braking.
FORWARD COLLISION ALERT²	Can warn you if it detects a potential collision with a detected vehicle you're following so you can take action. It can also provide a tailgating alert if you're following a vehicle much too closely. LED reflective windshield collision alert (UIT) is also standard.
FOLLOWING DISTANCE INDICATOR²	Helps you avoid tailgating other vehicles, which can lead to front-end collisions. Displays the following time in seconds between your vehicle and a detected vehicle you're following to help you maintain a safe distance.
FRONT AND REAR PARK ASSIST²	Front and Rear Park Assist provides alerts of nearby detected vehicles and objects in front of or behind your vehicle to help you park and avoid collisions..
FRONT PEDESTRIAN AND BICYCLIST BRAKING²	At speeds between 5 and 50 mph, Front Pedestrian and Bicyclist Braking can help you avoid or reduce the severity of a collision with a pedestrian or bicyclist it detects directly in front of you. It provides alerts and can automatically provide hard emergency braking or enhance the driver's hard braking. It has limited night time and low visibility performance
HD SURROUND VISION²	Provides selectable digital camera views of the area around your vehicle to help you part and avoid vehicles and objects. You can also display a guideline to show where your vehicle is heading.
INTELLIBEAM²	At speeds above 25mph, IntelliBeam can automatically turn the vehicle's high beams on and off according to surrounding traffic conditions.
INTERSECTION AUTOMATIC EMERGENCY BRAKING²	Can help you avoid or reduce the severity of an intersection collision with a detected cross-traffic vehicle. It provides alerts and can even automatically provide hard emergency braking or enhance the driver's hard braking.
LANE KEEP ASSIST WITH LANE DEPARTURE WARNING²	Uses a brief steering wheel turn to alert you when it detects you are unintentionally drifting out of your lane lines. If needed, you may receive additional Lane Departure Warning alerts. System alerts do not occur if you're using your turn signal, or it detects you may be intentionally leaving your lane.
PEDESTRIAN SAFETY SIGNAL²	Automated external sound generator at low speeds alerts pedestrians of vehicle in the front and rear of the vehicle.
REAR CROSS TRAFFIC BRAKING²	When in Reverse, alerts you or automatically provides hard emergency braking to prevent a collision with detected vehicles crossing behind you.
REAR PARK ASSIST²	Rear Park Assist provides alerts of nearby detected vehicle and objects behind your vehicle to help you park and avoid collisions.
REVERSE AUTOMATIC BRAKING²	Alerts you and/or automatically provides hard emergency braking to help avoid collisions with detected vehicles and objects directly behind you when you're in Reverse.
SAFETY ALERT SEAT¹	Uses left-, right- or both-side driver seat vibration pulses to help you detect and identify the direction of potential crashes. You can also switch to beeping crash avoidance alerts.
SEAT BELTS¹	3-point driver and front passenger jump seat. Driver seat belt pretensioner. Seat belt color is orange.
TRAFFIC SIGN RECOGNITION²	Can display detected speed limit signs in your instrument cluster. For full functionality, Traffic Sign Recognition requires active eligible OnStar plan.

Automated external sound generator at low speeds alerts pedestrians of vehicle in the front and rear of the vehicle.

1. Always use seat belts and child restraints. Children are safer when properly secured in a rear seat in the appropriate child restraint. See the Owner's Manual for more information.

2. Safety or driver assistance features are no substitute for the driver's responsibility to operate the vehicle in a safe manner. The driver should remain attentive to traffic, surroundings and road conditions at all times. Visibility, weather, and road conditions may affect feature performance. Read the vehicle's owner's manual for more important feature limitations and information

3. Connected vehicle services vary by vehicle model and require active service plan, working electrical system, cell reception and GPS signal. OnStar links to emergency services. See onstar.com for details and limitations.

STANDARD INTERIOR FEATURES

AIR CONDITIONING	Automatic climate control.
AUDIO SYSTEM²	11.3" diagonal advanced color LCD display with Google built-in compatibility (select service plan required, terms and limitations apply), including navigation capability, connected apps, Natural Voice Recognition and Phone Integration. for Wireless Apple CarPlay/Wireless Android Auto for compatible phones. 2-speaker system
BULK HEAD DOOR	Manual open/close
CARGO TIE-DOWNS	6 fixed for BrightDrop 400 (5 when (ZHR) spare tire ordered., 8 fixed for BrightDrop 600. Rated at 1,000 lbs each.
COMPASS	Digital compass can be displayed on the left side of the Instrument Cluster.
CUP HOLDERS	2 on driver side, 1 on curbside.
DELIVERY MODE	Features include turning on cabin lighting, unlocking doors, automating bulkhead door and curbside doors (if equipped with power package) and sounding the horn when vehicle is shifted out of park.
DOOR LOCKS	Power.
DRIVER INFORMATION CENTER	11 inch diagonal display
FIRE EXTINGUISHER	1.5 kg with mount located behind the driver seat.
FIRST AID KIT	Located in the lower storage area on the right side of the instrument panel.
FRONT FLOOR COVERING	Front cabin area, all-weather durable.
REAR FLOOR COVERING	Cargo area, composite, anti-slip, high-durability.
KEY SYSTEM	Two KEYS/FOBS . Includes mechanical key inside the Fob for the rear sliding door.
LED LIGHTING	2, motion-sensing, cargo area.
LED REFLECTIVE WINDSHIELD COLLISION ALERT	Amber visual alert on the windshield if following another vehicle much too closely. Red flashing alert when approaching a vehicle ahead too quickly.
GOOGLE AUTOMOTIVE¹ SERVICES CAPABLE	Allows access to Google apps on the Infotainment Screen.
OnStar CONNECTED¹ SERVICES CAPABLE	In-vehicle apps, Alexa, Wi-Fi Hotspot, Navigation and more.
Wi-Fi HOTSPOT CAPABLE	Terms and limitations apply. See OnStar.com or dealer for details.
5G VEHICLE CONNECTIVITY	Terms and limitations apply. See OnStar.com or dealer for details.
OnStar ONE BUSINESS² ESSENTIALS FOR FLEET	Drive confidently with core OnStar services including select mobile app commands, built-in voice assistance, real-time traffic and navigation, and Automatic Crash Response to help if you're in need.
OUTSIDE TEMPERATURE DISPLAY	Located in the infotainment display.
PUSH BUTTON START	Pressing the POWER button once will place the vehicle in ON/RUN..
POWER OUTLET	12-Volt auxiliary located on the lower center stack below the climate control. Only works with the vehicle ON/RUN.
POWER OUTLETS	Two, 110-volt, located in the upper instrument panel bin and on cargo area bulkhead wall.
STEP BUMPER VIEW	Description
REMOTE KEYLESS ENTRY	Allows for vehicle entry when the remote key is within 3 ft. (1 m) of the exterior doors and the rear sliding door.
REMOTE PANIC ALARM	Located on Key Fob
REMOTE VEHICLE STARTER SYSTEM	Located on Key Fob. Remote start can be used for up to 60 minutes of total remote start time before shutting off. Climate control, rear defog and heated and ventilated seats, if equipped, may also come on.
SEATS	Driver bucket seat with 2-way headrest, heated cushion and seat back, 6-way manual. Passenger front jump seat.
SENSOR	Humidity and windshield temperature
SPARE FUSE KIT	Provided
STEERING COLUMN	Manual tilt and telescoping.
STEERING WHEEL	Heated, urethane.
STORAGE	Overhead console.
STORAGE BINS	Upper instrument panel on driver side, upper instrument panel on curbside, lower floor area on curbside.
STORAGE TRAY	Instrument panel.
THEFT DETERRENT SYSTEM	Unauthorized entry, cargo area interior movement and vehicle inclination sensors can be armed when vehicle is off.
TIRE PRESSURE MONITOR SYSTEM	Auto learn, includes Tire Fill Alert and Tire Leak Detection. Does not apply to Spare Tire, if equipped.
UPFITTER WIRING PROVISIONS	Includes two 30-amp relay controlled circuits.
USB PORTS	2, on type-A and one type-C, located within the instrument panel.
VEHICLE HEALTH MANAGEMENT	Provides advanced warning of vehicle issues.
WINDOWS	Remote express-down.

1. See the Owner's Manual for more information.

2. OnStar One Essentials includes select remote commands, Navigation, Voice Assistance, and Automatic Crash Response, for eligible vehicles with compatible software. Fleet customers get select remote commands through OnStar Vehicle Insights. For MY25 vehicles, OnStar One Essentials is standard for 8 years: Services may require an OnStar paid plan to continue thereafter. See OnStar.com for service descriptions and terms.

3. Connected vehicle services vary by vehicle model and require active service plan, working electrical system, cell reception and GPS signal. OnStar links to emergency services. See onstar.com for details and limitations.

STANDARD EXTERIOR FEATURES

CARGO DOOR	Rear roll-up.
CHARGE PORT LIGHTING	With charge indicator.
HEADLAMP CONTROL	Automatic on and off.
HEADLAMPS	LED with daytime running lamps and turn signals.
HORN	Dual-note.
EXTERIOR LAMP	Overhead cargo door task light.
FRONT LAMP	LED Smoked Amber roof marker.
REAR LAMP	LED Red roof marker.
LICENSE PLATE FRONT MOUNTING PACKAGE	Front Bumper.
MIRRORS	Outside, heated, power-adjustable, manual-folding with puddle lamps.
REAR HOLD BARS	Integrated.
STEP BUMPER	Rear.
SAFETY REFLECTOR TRIANGLE KIT	Set of 3.
SPLASH GUARDS	Rear.
TAIL LAMPS	LED.
TIRE INFLATION KIT	Equipped. Deleted when (ZHR) Spare Tire is ordered.
TIRES	LT 245 / 75R 17E all-season, blackwall.
WHEELS	17" (43.2 cm) steel, White painted.
WASHER SYSTEM	Washer level sensor.
WIPERS	Front intermittent, Rain sense.

STANDARD MECHANICAL FEATURES

AUTO VEHICLE HOLD	Prevents the vehicle from moving during the transition from brake pedal release to accelerator pedal apply.
DRIVE BATTERY	Standard Range (GM-estimated city/highway combined range up to 177 miles (FWD), up to 179 miles (AWD)).
BATTERY	12-volt with rundown protection. 800 cold-cranking amps with 80 amp-hour rating.
BRAKE - PARKING	Electronic parking.
BRAKES	17" front and rear sliding caliper disc with 4-wheel anti lock braking.
REGENERATIVE BRAKING	When active, the regen battery icon displays and will fill the lower section of the gauge.
CHARGING MODULE	11.5 kW high-voltage.
DC FAST CHARGING	400 volt, up to 120 kW.
ELECTRONIC PRECISION SHIFT	Electronic transmission range selector.
FINAL DRIVE RATIO	13.26:1 (X80F) front axle and 11:63:1 (X77R) rear axle.
ONE-PEDAL DRIVING	When on, the vehicle will slow/stop when the accelerator is let off. See Owners Manual to configure One-Pedal Driving.
STABILITRAK	Stability control system with Traction Control and Hill Start Assist.
STEERING	Power, electric-assisted.
eFWD DRIVE SYSTEM	eFWD (Electronic FWD), 1 motor (electric drive unit) 240 hp (180 kW) and 300 lb-ft (405 Nm) of torque. BrightDrop 400 FWD (5J32705) and 600 FWD (5M32905)
eAWD DRIVE SYSTEM	eAWD (Electronic AWD), 2 motors (1 front and 1 rear electric drive unit). 300 hp (225 kW) and 390 lb-ft (530 Nm) of torque. BrightDrop 400 AWD (5M32705) and 600 (5M32905) All Wheel Drive.

1. Safety or driver assistance features are no substitute for the driver's responsibility to operate the vehicle in a safe manner. The driver should remain attentive to traffic, surroundings and road conditions at all times. Visibility, weather, and road conditions may affect feature performance. Read the vehicle's owner's manual for more important feature limitations and information.

2. To avoid the risk of injury, never use Recovery Hooks to tow a vehicle. For more information, see the Recovery Hooks section of your Owner's Manual.

OPTIONAL INTERIOR FEATURES

PCP	POWER DOOR PACKAGE - Includes (BHD) power open/close bulkhead door and (YG2) power passenger door.
BHD	BULKHEAD DOOR - Power open/close. Included and only available with (PCP) Power Door Package.
ZHR	TIRE - SPARE LT 245 / 75R 17E all-season, blackwall. Includes (Q8E) mechanical jack with tools. Includes (RUF) 17" White-painted steel spare wheel. Includes (NZ4) 17 Black-painted spare wheel when (PYN) 17" Black-painted steel wheel is ordered.

OPTIONAL EXTERIOR FEATURES

YG2	PASSENGER DOOR - Power open/close. Included and only available with (PCP) Power Door Package.
CC4	ROOF - Cargo area, translucent.
RUF	WHEEL - 17" (43.2 cm) steel spare, White-painted. Included and only available with (ZHR) spare tire.
NZ4	WHEEL - 17" (43.2 cm) steel spare, Black-painted. Included and only available with (ZHR) spare tire when (PYN) Black-painted steel wheels is ordered.
PYN	WHEEL - 17" (43.2 cm) steel spare, Black-painted. Includes (NZ4) 17" Black-painted spare wheel when (ZHR) spare tire is ordered.

OPTIONAL MECHANICAL FEATURES

ETJ	DRIVE BATTERY - Maximum Range (GM-estimated city/highway combined range up-to 272 miles.
K2O	CHARGING MODULE - 19.2 kW high-voltage.
ZHR	GOVERNOR - Vehicle speed sensor, 65 mph (104.6 kph). Not available with KYW 75 mph governor.
KYW	GOVERNOR - Vehicle speed sensor, 75 mph (120.7 kph). Not available with ZHR 65 mph governor. Available only on BrightDrop 400 AWD and BrightDrop 600 AWD.

OPTIONAL SHIP THRU / SHIP TO

VTJ	SHIP THRU - Produced in Ingersoll, Ontario and shipped to Adrian Steel, Toledo, OH.
VSQ	SHIP THRU - Produced in Ingersoll, Ontario and shipped to Adrian Steel, Wentzville, MO.
V2Q	SHIP THRU - Produced in Ingersoll, Ontario and shipped to Utilimaster, Kansas City, MO.
PCY	SHIP TO - EV Fulfillment Center Courtesy Delivery, final destination shipped to Jurupa Vally, CA.

2025 BrightDrop 400 and 600 WHEELS USA

	<p>RSF Standard Wheel 17" (43.2 cm) steel, White-painted</p>
	<p>PYN Optional Wheel , 17" (43.2 cm) steel, Black-painted</p>

NOTE:

Due to specific requirements for performance durability and safety, GM recommends only the original equipment tires for replacement.

AVAILABLE EXTERIOR COLORS

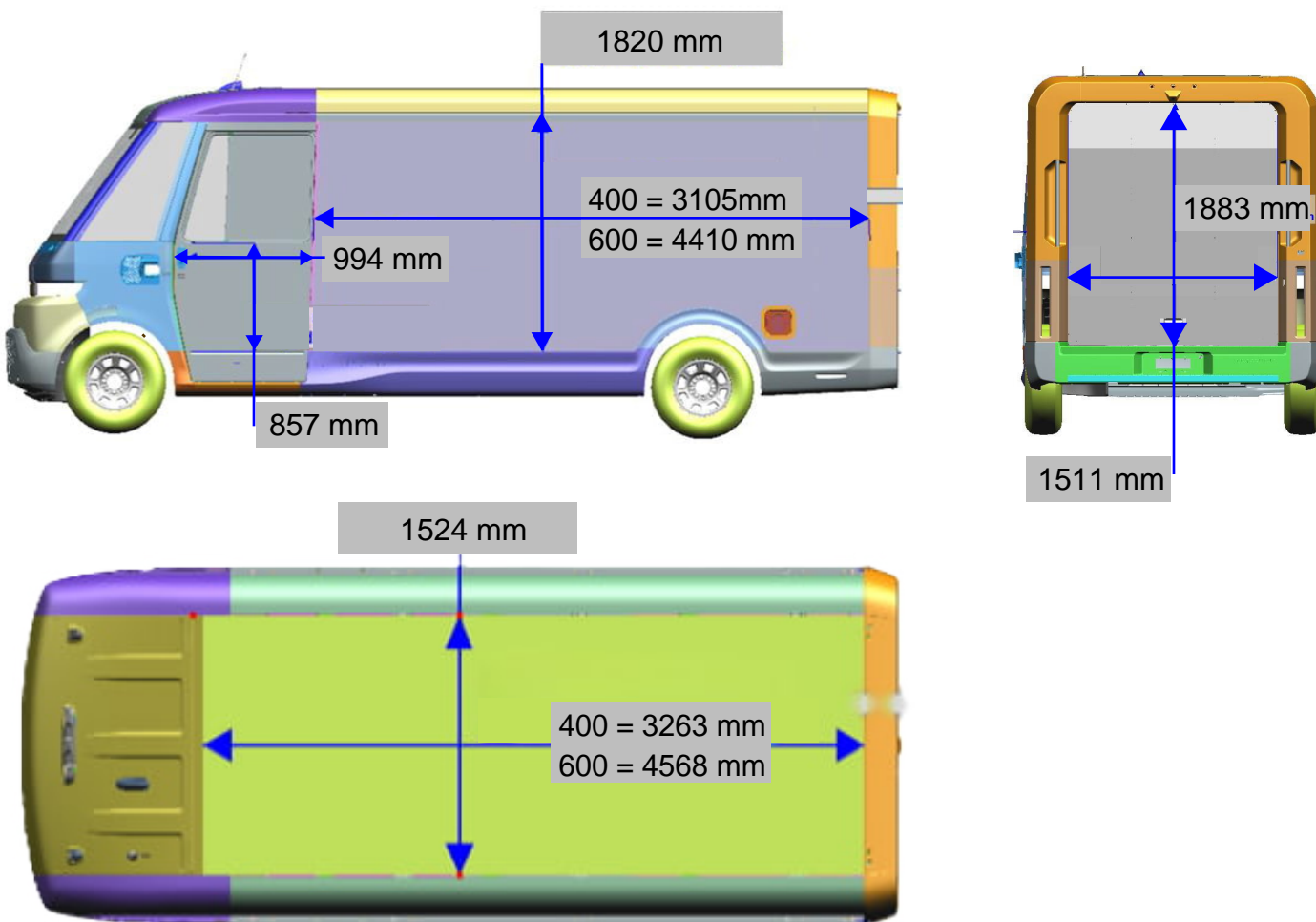
Model	Seat Type	Seat Code	Seat Trim	Interior
				Jet Black
BrightDrop 400 & 600	Front bucket, driver; front passenger jump seat	A50	Cloth	HBA

Exterior Solid Paint	Color Code	Touch Up Paint Number	Interior
			Jet Black
Oyster White	GRO	WA-673G	A

EXTERIOR PANEL DIMENSIONS

There is a difference between the 400 and 600 in the length of the cargo side panel & roof panel

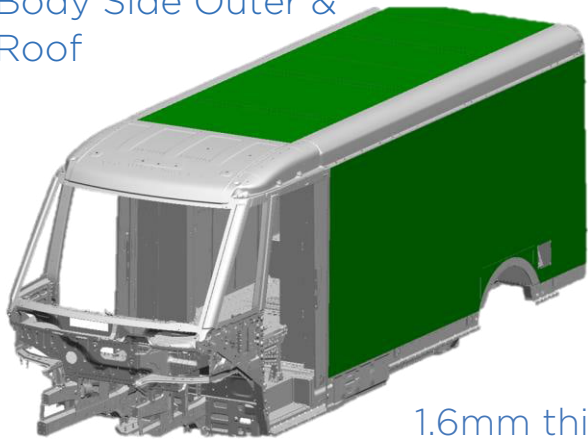
The rest of the body dimensions (front, side, & rear) are the same as the 600



BODY STRUCTURE

COMPOSITE PANELS

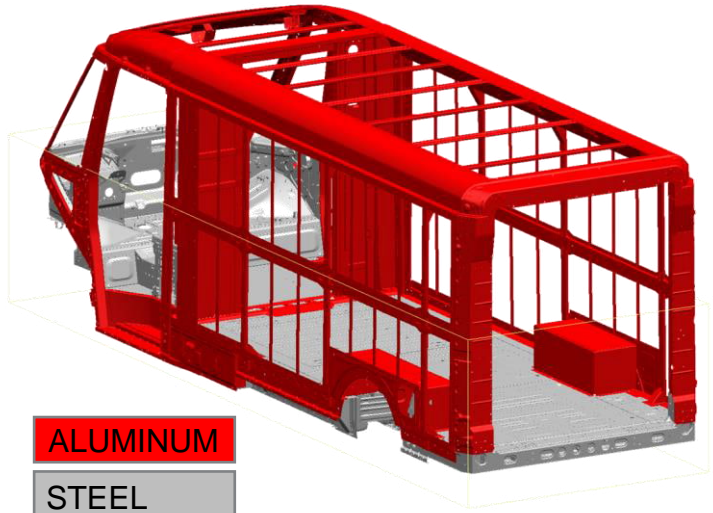
Body Side Outer & Roof



1.6mm thick

Translucent Roof option (CC4)

METAL PANELS



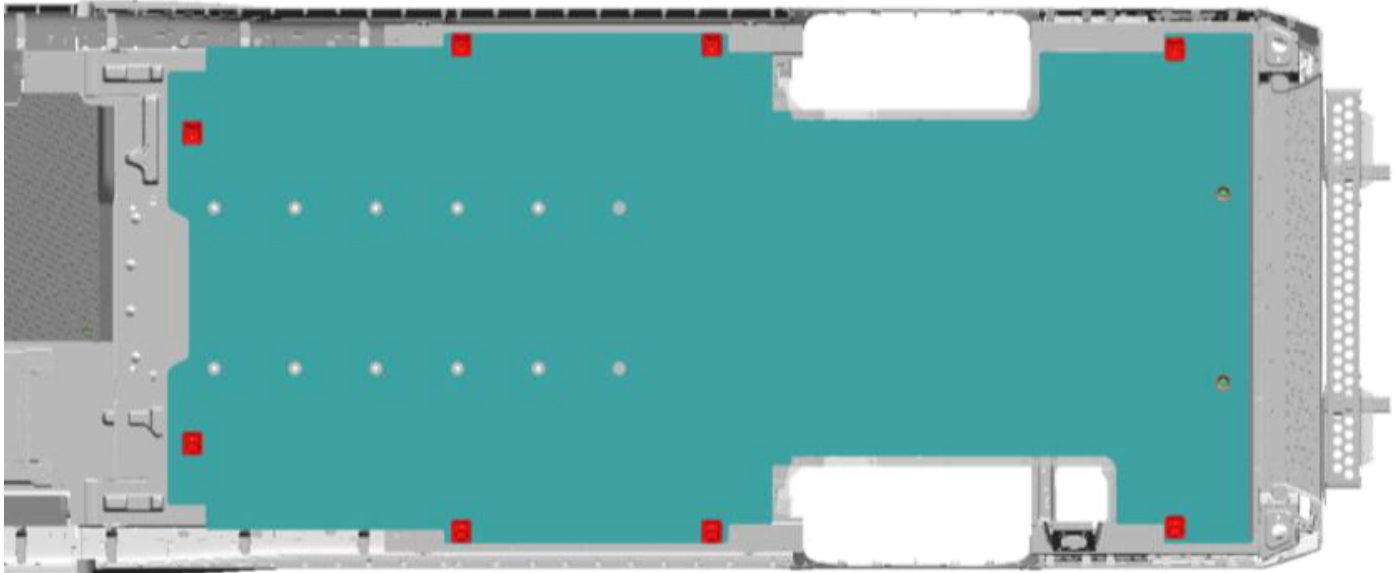
ALUMINUM

STEEL

HIGH DURABILITY CARGO FLOOR

Cargo floor mat, 8mm thick

Composite, anti-slip, high durability, sandwich construction



TIE DOWNS

8 fixed for BrightDrop 600 (Shown)

6 fixed for BrightDrop 400

Rated at 1,000 lbs (45.59 kg) each

CHEVROLET BRIGHTDROP 400 DIMENSIONS

All dimensions in inches (mm) unless otherwise stated.

	Specifications		CJ32705 400 FWD	CM32705 400 AWD
	A	Wheelbase	153 / (3890)	153 / (3890)
	B	Overall length	238.61 (6061)	238.61 (6061)
	C	Vehicle width (with mirrors)	106.2 (2697)	106.2 (2697)
		Vehicle width (without mirrors) includes exterior curbside step extension	89.4 (2271)	89.4 (2271)
	D	Overall height	109.2 (2774)	109.15 (2772)
		Overall height with shark fin antenna	109.3 (2776)	109.3 (2776)
		Overall height with mast antenna	117.69 (2989)	117.65 (2988)
		Ground clearance	7 (178)	6.98 (177)
		Overhang, front	33.99 (863)	33.99 (863)
		Overhang, rear	51.5 (1308)	51.5 (1308)
		Internal cargo area length	117.51 (2985)	117.51 (2985)
		Internal cargo area width, wall to wall	83.68 (2125)	83.68 (2125)
		Internal cargo area width, between wheel housing	54.71 (1390)	54.71 (1390)
		Internal cargo area height with door closed	82 (2083)	82 (2083)
		Internal cargo area height with door open	76 (1930)	76 (1930)
		Bulkhead access with door open (width)	28.21 (717)	28.21 (717)
		Bulkhead access with door open (height)	75.81 (1926)	75.81 (1926)
	Rear cargo access with door open (width)	57.57 (1462)	57.57 (1462)	
	Rear cargo access with door open (height)	73.44 (1865)	73.44 (1865)	
	Curbside door opening width	36.67 (931)	36.67 (931)	

CHEVROLET BRIGHTDROP 400 DIMENSIONS

All dimensions in inches (mm) unless otherwise stated.

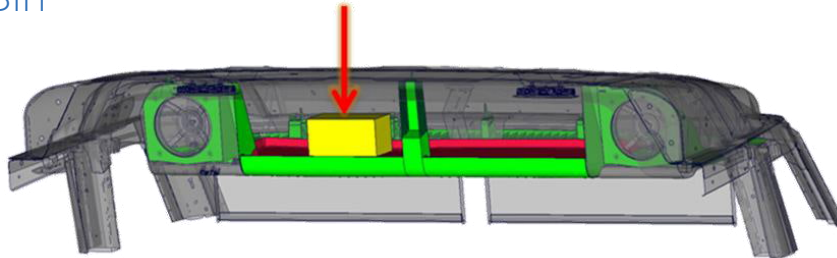
	Specifications	CJ32705 400 FWD	CM32705 400 AWD
	Curbside step, height to ground	15.57 (395)	15.5 (394)
	Curbside step, depth, with exterior step	10.05 (255)	10.05 (255)
	Cargo floor , height to ground	27.18 (690)	27.1 (688)
	Rear step bumper, height to ground	18.6 (472)	18.48 (469)
	Charge port, height to ground	35.81 (910)	35.76 (908)
	Charge port. distance to end of step bumper	28.61 (727)	28.61 (727)

Published dimensions indicated are without optional equipment or accessories. Additional accessories or equipment ordered at the customer's request can result in a minor change in these dimensions.

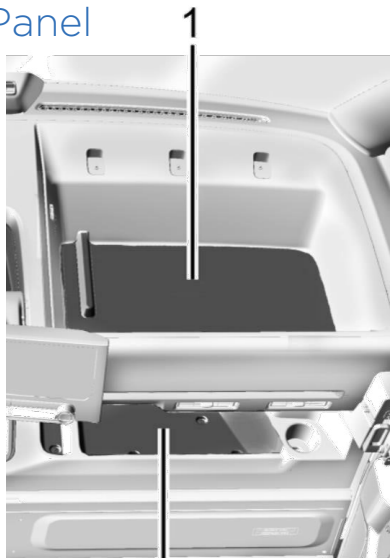
INTERIOR STORAGE LIMITS

Overhead Bin

Rated at 4lb



Instrument Panel



1. Upper Passenger Bin
125 lb (57.7 kg)

2. Lower Passenger Bin
45 lb (20.4 kg)

CHEVROLET BRIGHTDROP 600 DIMENSIONS

All dimensions in inches (mm) unless otherwise stated.

		Specifications	CJ32905 600 FWD	CM32905 600 AWD
	A	Wheelbase	183 (4660)	183 (4660)
	B	Overall length	290 (7366)	290 (7366)
	C	Vehicle width (with mirrors)	106.2 (2697)	106.2 (2697)
		Vehicle width (without mirrors)	86.52 (2198)	86.52 (2198)
	D	Overall height	108.87 (2765)	108.79 (2763)
		Overall height with shark fin antenna	109 (2769)	109 (2769)
		Overall height with mast antenna	117.57 (2986)	117.57 (2986)
		Ground clearance	7.51 (191)	7.51 (191)
		Overhang, front	33.99 (863)	33.99 (863)
		Overhang, rear	72.57 (1843)	72.57 (1843)
		Internal cargo area length	168.9 (4290)	168.9 (4290)
		Internal cargo area width, wall to wall	83.68 (2125)	83.68 (2125)
		Internal cargo area width, between wheel housing	53.53 (1360)	53.53 (1360)
		Internal cargo area height with door closed	82 (2083)	82 (2083)
		Internal cargo area height with door open	76 (1930)	76 (1930)
		Bulkhead access with door open (width)	28.21 (717)	28.21 (717)
		Bulkhead access with door open (height)	75.81 (1926)	75.81 (1926)
		Rear cargo access with door open (width)	57.57 (1462)	57.57 (1462)
		Rear cargo access with door open (height)	73.44 (1865)	73.44 (1865)
		Curbside door opening width	36.67 (931)	36.67 (931)
	Curbside step, height to ground	15.49 (393)	15.49 (393)	

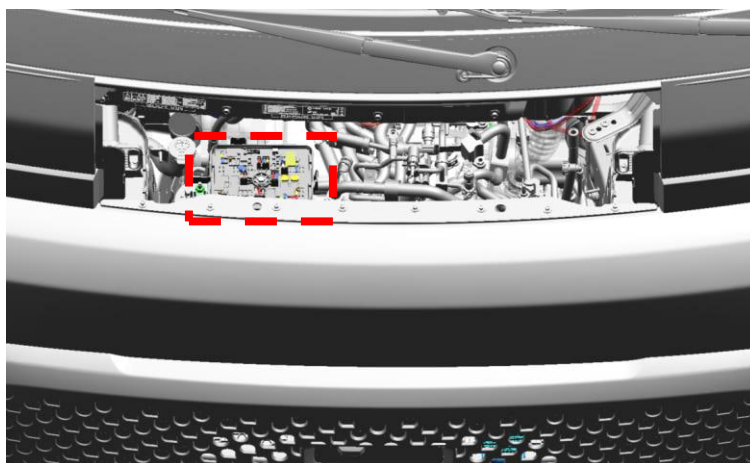
CHEVROLET BRIGHTDROP 600 DIMENSIONS

All dimensions in inches (mm) unless otherwise stated.

	Specifications	CJ32905 600 FWD	CM32905 600 AWD
	Curbside step , depth	12.2 (310)	12.2 (310)
	Cargo floor , height to ground	26.39 (670)	26.39 (670)
	Rear step bumper , height to ground	18.09 (459)	18.02 (458)
	Charge port , height to ground	35.29 (896)	35.22 (895)
	Charge port . distance to end of step bumper	48.9 (1242)	48.9 (1242)

Published dimensions indicated are without optional equipment or accessories. Additional accessories or equipment ordered at the customer's request can result in a minor change in these dimensions.

UNDER HOOD FUSE BOX



CHEVROLET BRIGHTDROP 400 SPECIFICATIONS

	CJ32705 400 FWD	CM32705 400 AWD
Specifications		
Turning diameter, curb-to-curb, ft. (m)	46.4 (14.1)	43.9 (13.4)
Approach angle, front (degrees)	22.6	22.5
Departure angle, rear (degrees)	18.6	18.5
Capacities		
Curb weight (C5F) with (ETC) Standard Range, lbs. (kg)	7240 (3284)	7470 (3388)
Curb weight (C5F) with (ETJ) Max Range, lbs. (kg)	--	8170 (3706)
Curb weight (C7E) with (ETC) Standard Range, lbs. (kg)	7240 (3284)	7470 (3388)
Curb weight (C7E) with (ETJ) Max Range, lbs. (kg)	--	8170 (3706)
Cargo volume, cu. ft. (liters)	412.1 (11669.4)	412.1 (11669.4)
Payload (C5F) with (ETC) Standard Range, lbs. (kg)	2690 (1220)	2460 (1116)
Payload (C5F) with (ETJ) Max Range, lbs. (kg)	--	1770 (803)
Payload, Minimum, with all optional equipment (C5F) with (ETC) Standard Range, lbs. (kg)	2510 (1139)	2280 (1034)
Payload, Minimum, with all optional equipment (C5F) with (ETJ) Max Range, lbs. (kg)	--	1560 (708)
Payload (C7E) with (ETC) Standard Range, lbs. (kg)	3710 (1683)	3480 (1579)
Payload (C7E) with (ETJ) Max Range, lbs. (kg)	--	2780 (1261)
Payload, Minimum, with all optional equipment (C7E) with (ETC) Standard Range, lbs. (kg)	3520 (1597)	3290 (1492)
Payload, Minimum, with all optional equipment (C7E) with (ETJ) Max Range, lbs. (kg)	--	2570 (1166)
Gross Vehicle Weight Rating (GVWR) (C5F), lbs. (kg)	9990 (4531)	9990 (4531)
Gross Vehicle Weight Rating (GVWR) (C7E), lbs. (kg)	11000 (4990)	11000 (4990)
Front Gross Axle Weight Rating (GAWR) (C5F), lbs. (kg)	5291 (2400)	5291 (2400)
Front Gross Axle Weight Rating (GAWR) (C7E), lbs. (kg)	5291 (2400)	5291 (2400)
Rear Gross Axle Weight Rating (GAWR) (C5F), lbs. (kg)	5732 (2600)	5732 (2600)
Rear Gross Axle Weight Rating (GAWR) (C7E), lbs. (kg)	6172 (2800)	6172 (2800)

CHEVROLET BRIGHTDROP 600 SPECIFICATIONS

	CJ32905 600 FWD	CM32905 600 AWD
Specifications		
Turning diameter, curb-to-curb, ft. (m)	54.8 (16.7)	51.5 (15.7)
Approach angle, front (degrees)	23.1	23.2
Departure angle, rear (degrees)	12.6	12.6
Capacities		
Curb weight (C5F) with (ETC) Standard Range, lbs. (kg)	7590 (3443)	7820 (3547)
Curb weight (C5F) with (ETJ) Max Range, lbs. (kg)	--	8520 (3865)
Curb weight (C7E) with (ETC) Standard Range, lbs. (kg)	7590 (3443)	7820 (3547)
Curb weight (C7E) with (ETJ) Max Range, lbs. (kg)	--	8520 (3865)
Cargo volume, cu. ft. (liters)	614.7 (17406.4)	614.7 (17406.4)
Payload (C5F) with (ETC) Standard Range, lbs. (kg)	2340 (1061)	2110 (957)
Payload (C5F) with (ETJ) Max Range, lbs. (kg)	--	1420 (644)
Payload, Minimum, with all optional equipment (C5F) with (ETC) Standard Range, lbs. (kg)	2190 (993)	1970 (894)
Payload, Minimum, with all optional equipment (C5F) with (ETJ) Max Range, lbs. (kg)	--	1250 (567)
Payload (C7E) with (ETC) Standard Range, lbs. (kg)	3350 (1520)	3130 (1420)
Payload (C7E) with (ETJ) Max Range, lbs. (kg)	--	2430 (1102)
Payload, Minimum, with all optional equipment (C7E) with (ETC) Standard Range, lbs. (kg)	3200 (1452)	2980 (1352)
Payload, Minimum, with all optional equipment (C7E) with (ETJ) Max Range, lbs. (kg)	--	2260 (1025)
Gross Vehicle Weight Rating (GVWR) (C5F), lbs. (kg)	9990 (4531)	9990 (4531)
Gross Vehicle Weight Rating (GVWR) (C7E), lbs. (kg)	11000 (4990)	11000 (4990)
Front Gross Axle Weight Rating (GAWR) (C5F), lbs. (kg)	5291 (2400)	5291 (2400)
Front Gross Axle Weight Rating (GAWR) (C7E), lbs. (kg)	5291 (2400)	5291 (2400)
Rear Gross Axle Weight Rating (GAWR) (C5F), lbs. (kg)	5732 (2600)	5732 (2600)
Rear Gross Axle Weight Rating (GAWR) (C7E), lbs. (kg)	6172 (2800)	6172 (2800)

BATTERY AND DRIVE SPECIFICATIONS

BRIGHTDROP 400

Drive Type	FWD Standard	AWD Standard	AWD Maximum
GM-est. city range (mi.) ¹	197	197	303
GM-est. highway range (mi.) ¹	152	147	234
GM-est. combined range (mi.) ¹	177	179	272

BRIGHTDROP 600

Drive Type	FWD Standard	AWD Standard	AWD Maximum
GM-est. city range (mi.) ¹	193	200	303
GM-est. highway range (mi.) ¹	151	152	234
GM-est. combined range (mi.) ¹	177	179	272

LEVEL 2 AC CHARGING³

	STANDARD	STANDARD	MAX	MAX
Battery Pack				
Max. Charging Capability	11.5 kW	19.2 kW	11.5 kW	19.2 kW
Max. Charging rate	Up to 17 mph	Up to 26 mph	Up to 16 mph	Up to 25 mph
0-100% time to charge	9.5 hours	6.2 hours	17 hours	10.0 hours
20-100% time to charge	8.4 hours	5.5 hours	13.5 hours	8.0 hours

LEVEL 3 DC FAST CHARGING³

	STANDARD	MAX RANGE
Peak Power (400V)	120 kW	120 kW
Miles/10 min. (400V)	Up to 28 miles	Up to 27 miles
Miles/30 min. (400V)	Up to 83 miles	Up to 83 miles
Miles/60 min. (400V)	Up to 115 miles	Up to 160 miles
Low-80% time to charge	45 minutes	70 minutes
80-100% time to charge	50 minutes	40 minutes

DRIVE BATTERY

Type	Rechargeable energy storage system with 20-module pack
Mass (lb / kg)	2,321.5/1053
Useful Energy	173.3 kWh
Warranty ²	8 years / 100,000 miles of battery and electric components coverage

PROPULSION SYSTEM

Drive Type	FWD	AWD
Motor - Permanent Magnetic Drive	1 motor	2 motors
Power on a full charge (hp/kW)	240/180	300/225
Torque on a full charge (lb.ft./Nm)	300/405	390/530

DRIVE BATTERY

Type	Rechargeable energy storage system with 12-module pack
Mass (lb / kg)	1,605/728
Useful Energy	102.4 kWh
Warranty ²	8 years / 100,000 miles of battery and electric components coverage

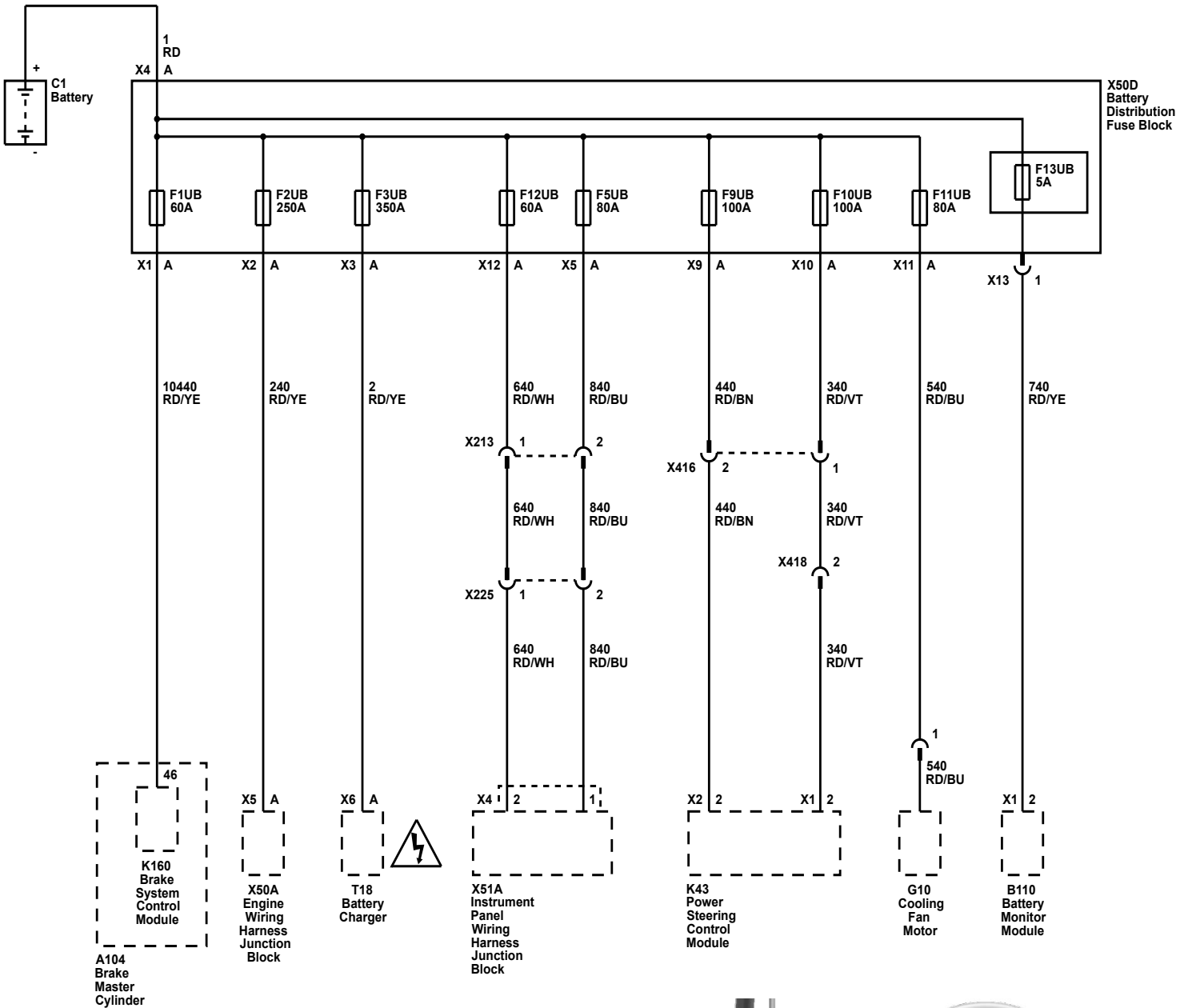
SERVICE BATTERY

Type	Maintenance free
BCI group size	LN1
Volts	12 V
Amp hour rating	80 ah
Cold cranking amps	800 a

¹. GM estimated range based on current capability of analytical projection consistent with SAE J1634 revision 2017-MCT. GM estimated range is based on a vehicle with a full charge. Actual range will vary based on several factors, including temperature, terrain, battery age, loading, use and how you use and maintain your vehicle. Performance targets. Estimates and capability specifications based on computer-aided analysis and simulation using virtual engineering tools. EPA estimates not yet available. ². Limited warranty, 8Years /100,000 Miles, whichever comes first. See dealer for details. See owner's manual for additional limitations. ³. Actual charge times will vary based on battery starting state of charge, battery condition, output of charger, vehicle settings and outside temperature. See owner's manual for additional limitations.

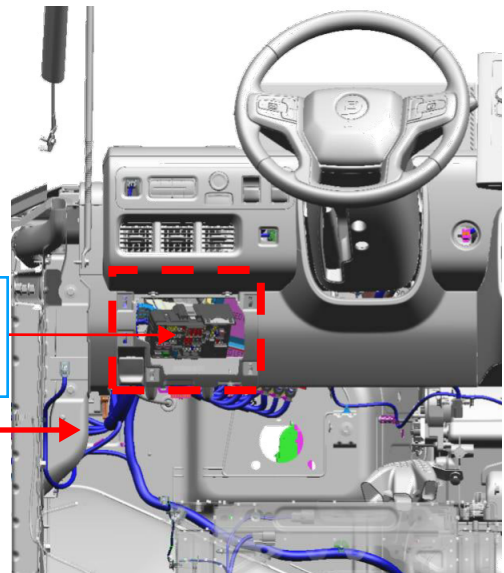
ELECTRICAL CIRCUIT DIAGRAMS

X50D Battery Distribution Fuse Block



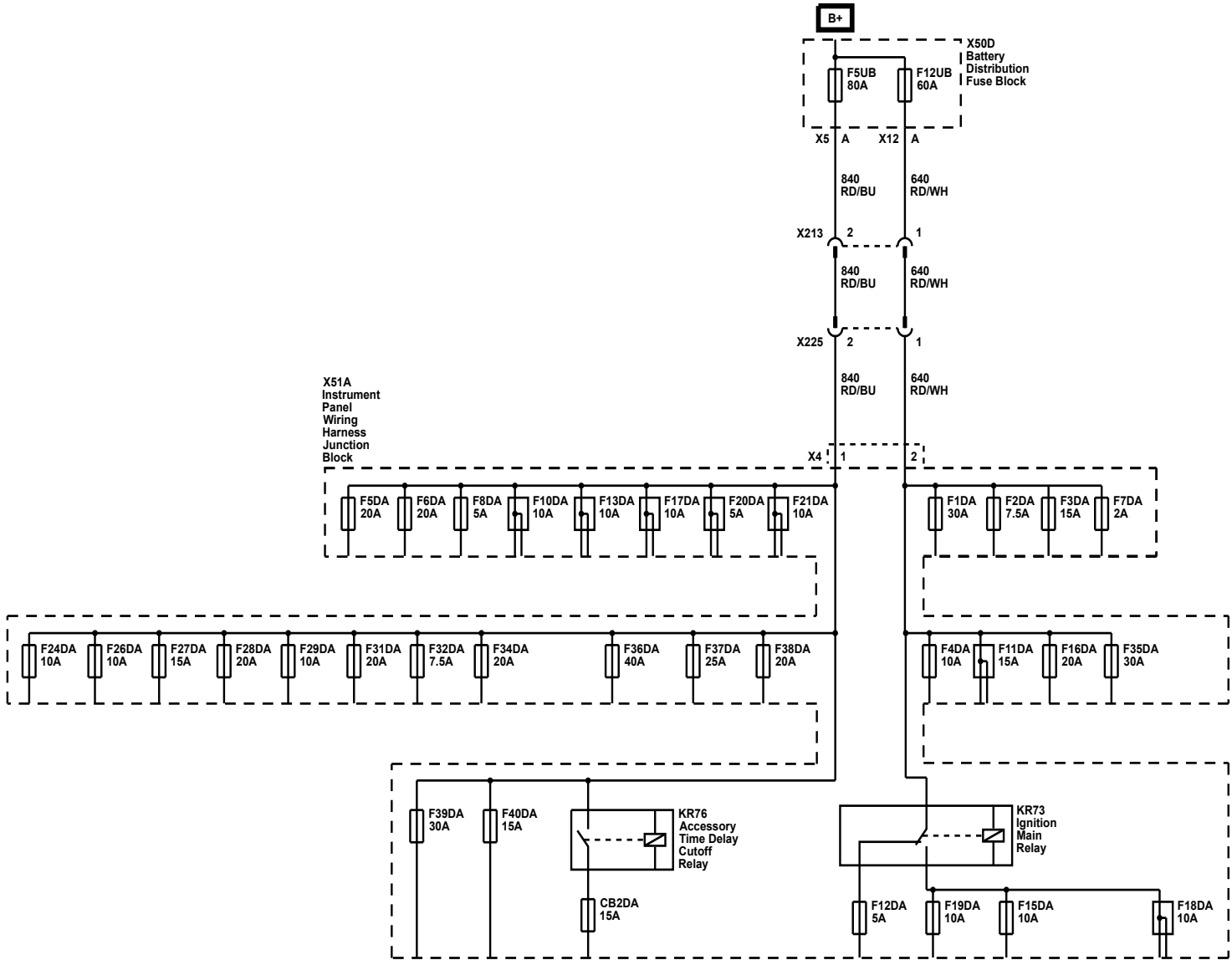
INTERIOR ELECTRICAL CENTER

- 12V BATTERY (15A Micro)
- 12V ACCESSORY (20A M-Case)
- GROUND BLOCK



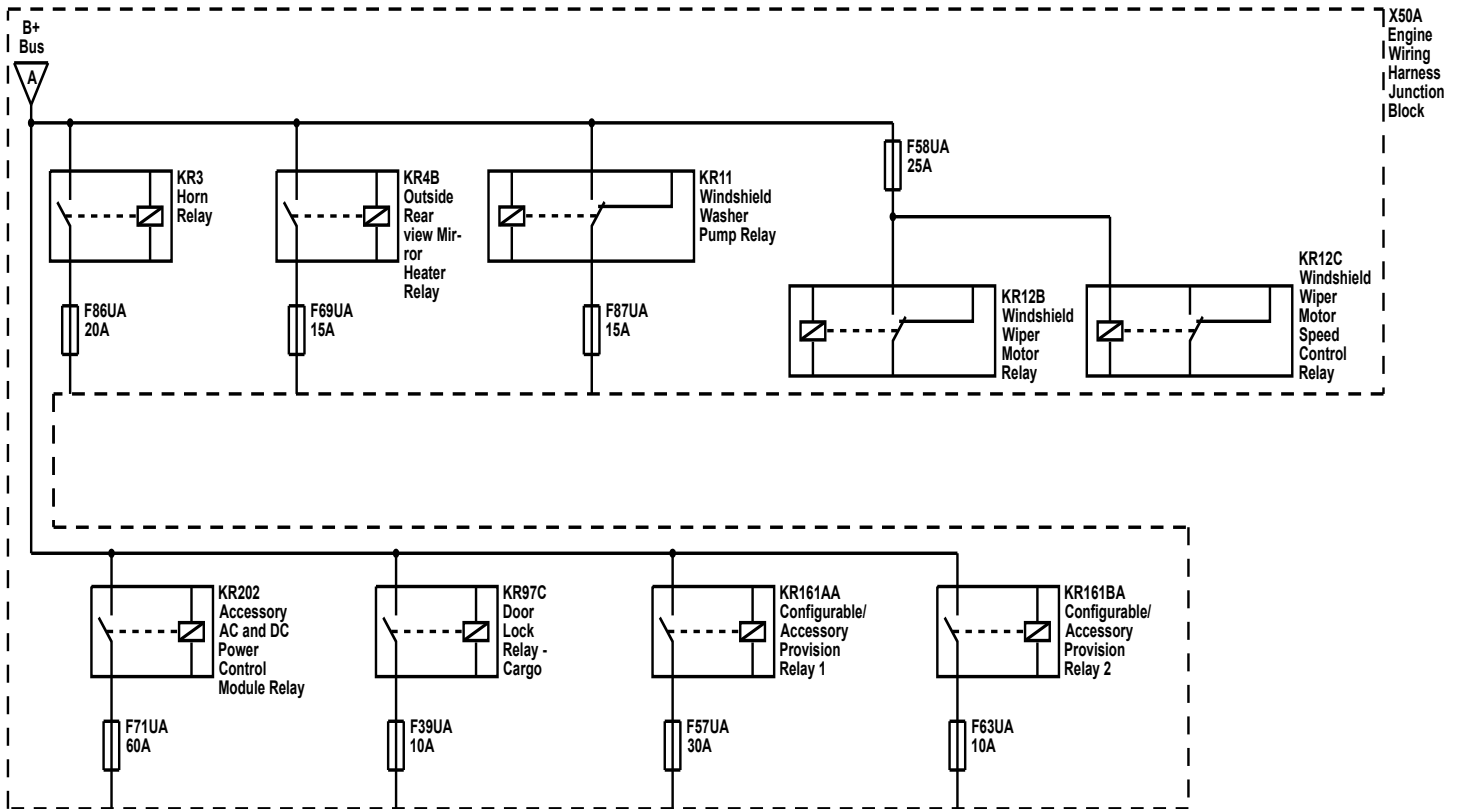
ELECTRICAL CIRCUIT DIAGRAMS

X50A Instrument Panel Wiring Harness Junction Block



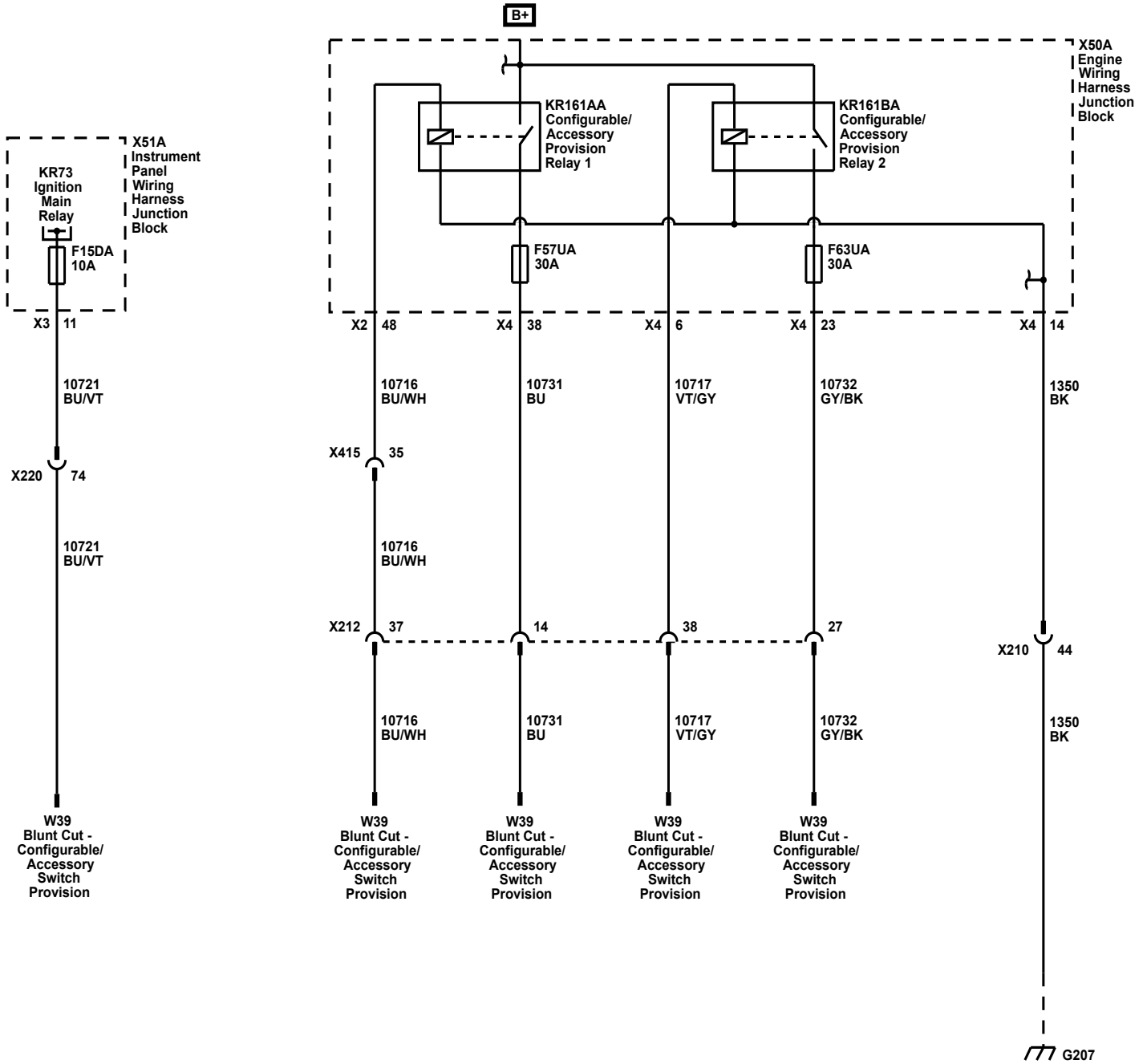
ELECTRICAL CIRCUIT DIAGRAMS

X50A Engine Wiring Harness Junction Block Relays



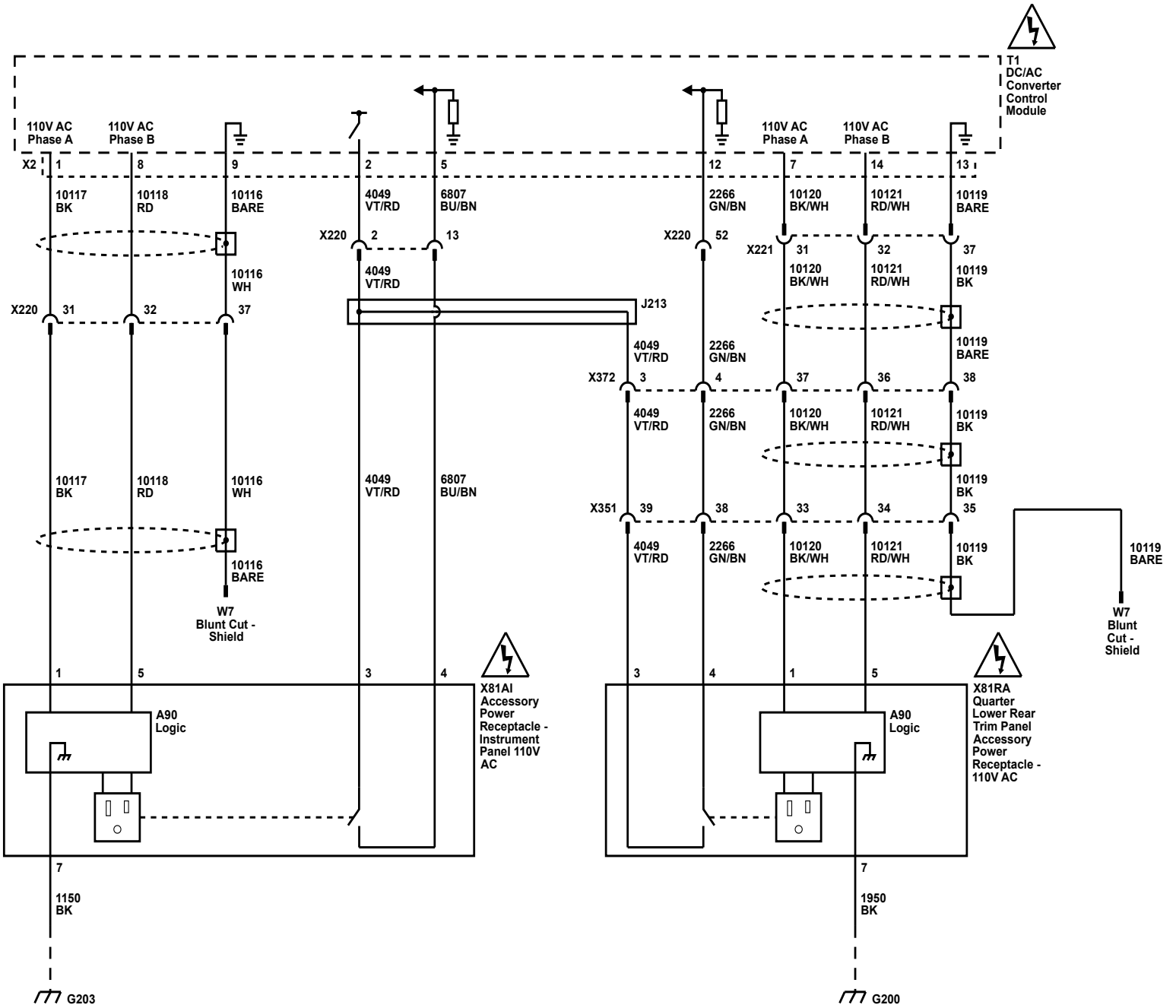
ELECTRICAL CIRCUIT DIAGRAMS

X50A Engine Wiring Harness Junction Block Relays



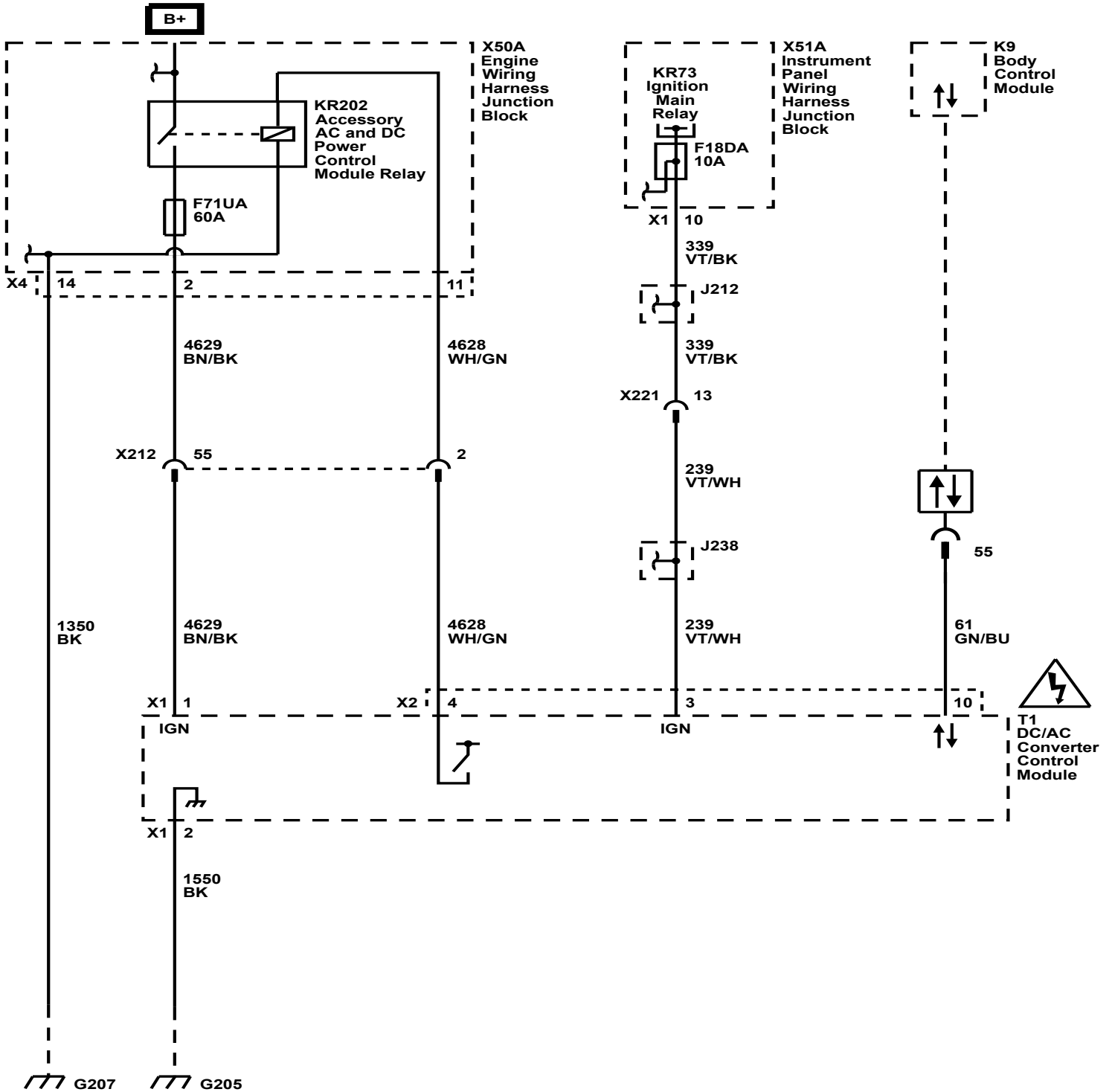
ELECTRICAL CIRCUIT DIAGRAMS

110V AC Accessory Power Receptacles (KI4)



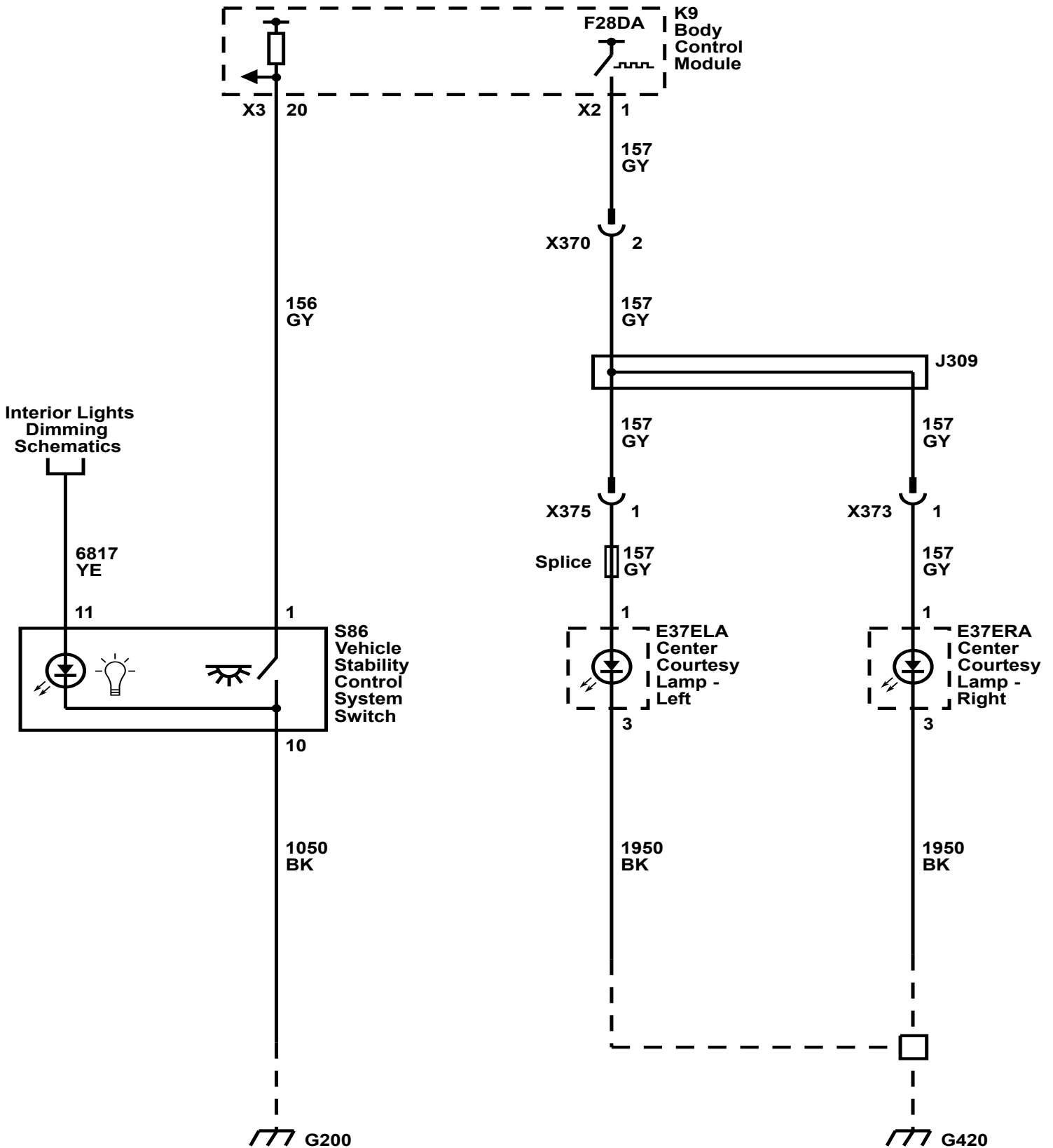
ELECTRICAL CIRCUIT DIAGRAMS

110V AC Accessory Power Receptacles (KI4)



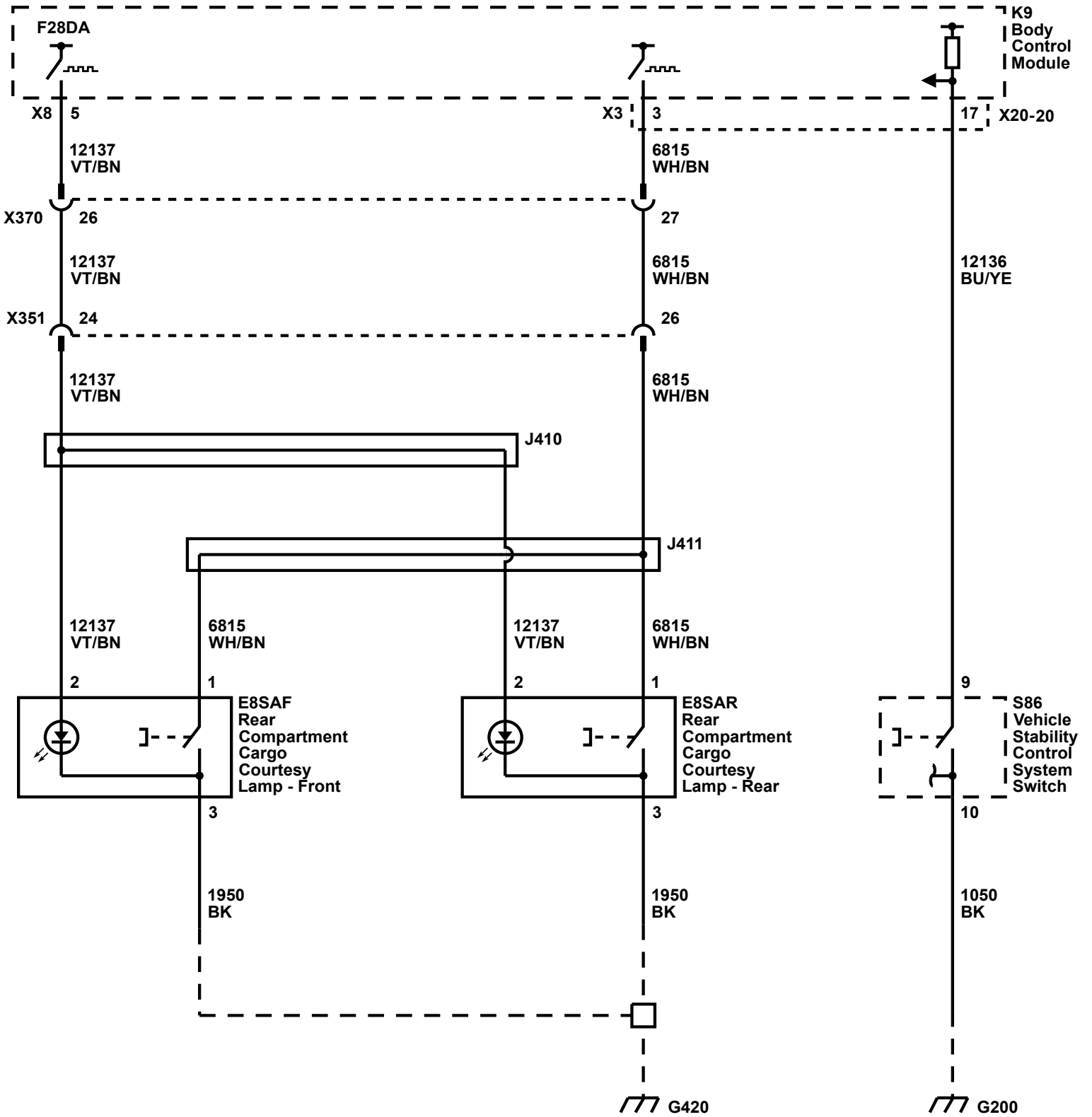
ELECTRICAL CIRCUIT DIAGRAMS

Passenger Compartment Lights

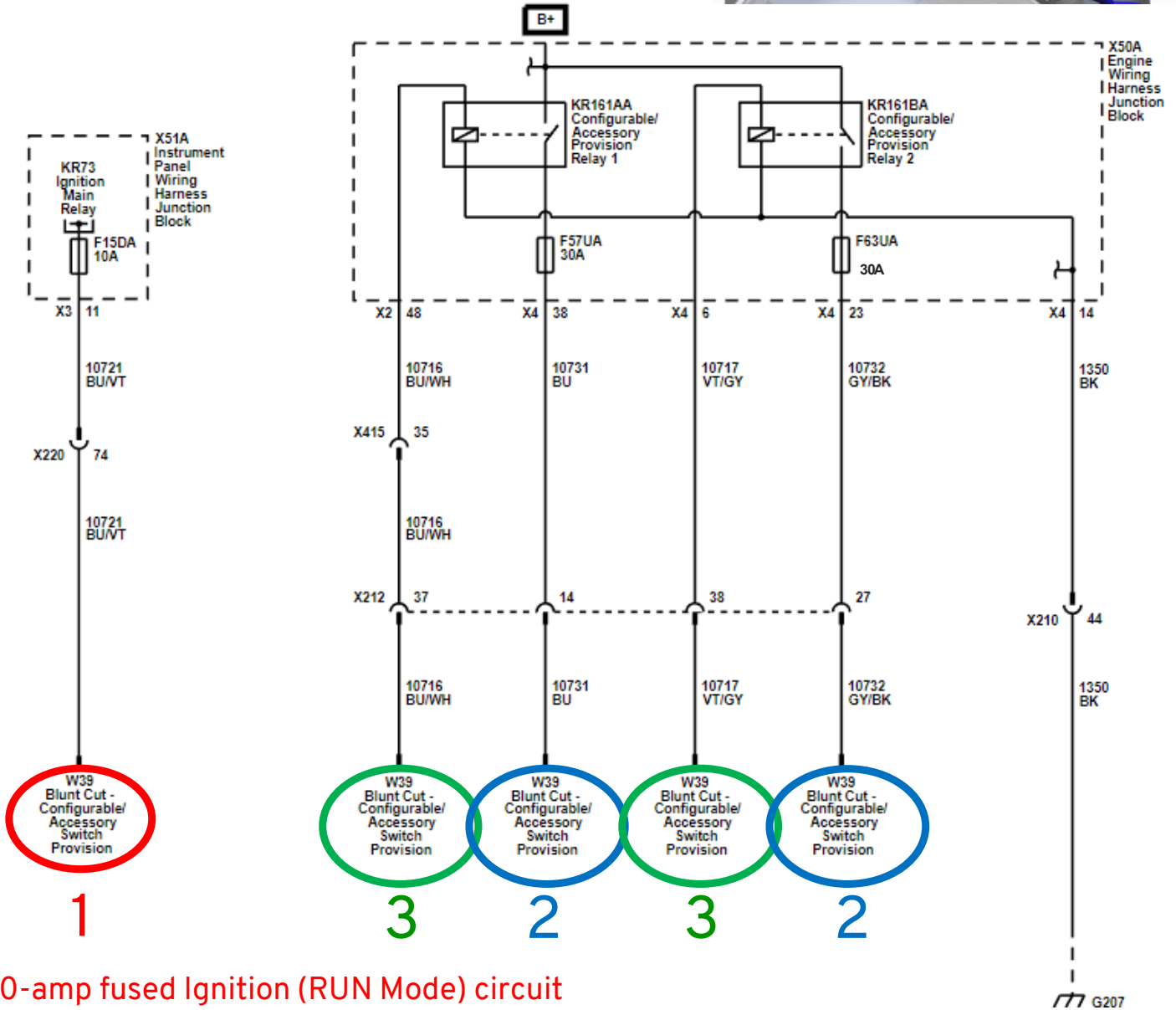
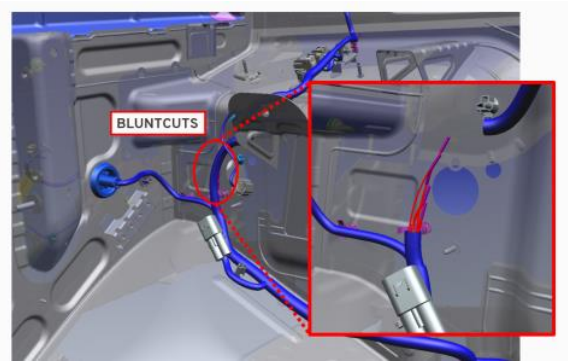
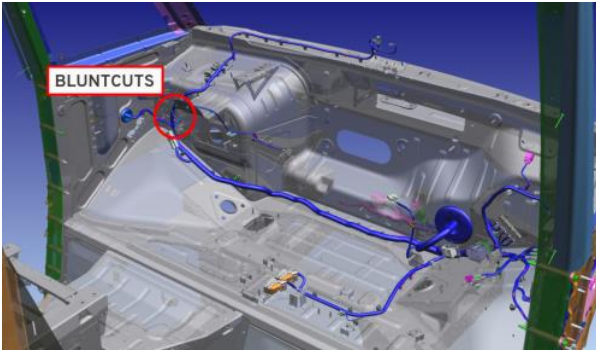


ELECTRICAL CIRCUIT DIAGRAMS

Rear Compartment Lights



UPFITTER ELECTRICAL WIRING PROVISIONS

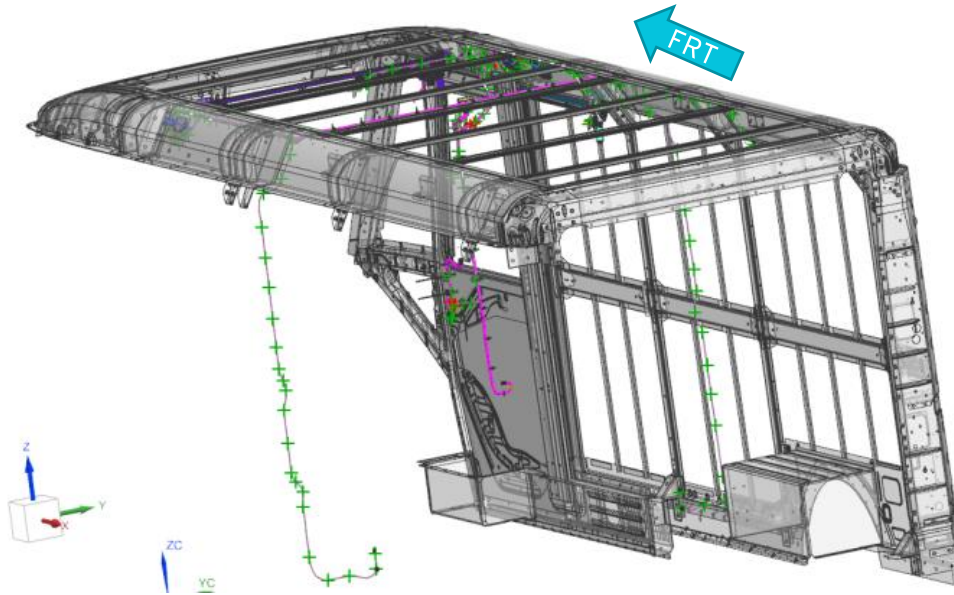


1. 10-amp fused Ignition (RUN Mode) circuit
2. Two relay-controlled output circuits (30a and 10a fused)
3. Two user utilized relay control circuits.
customer/upfitter to provide V+ input for relay activation.

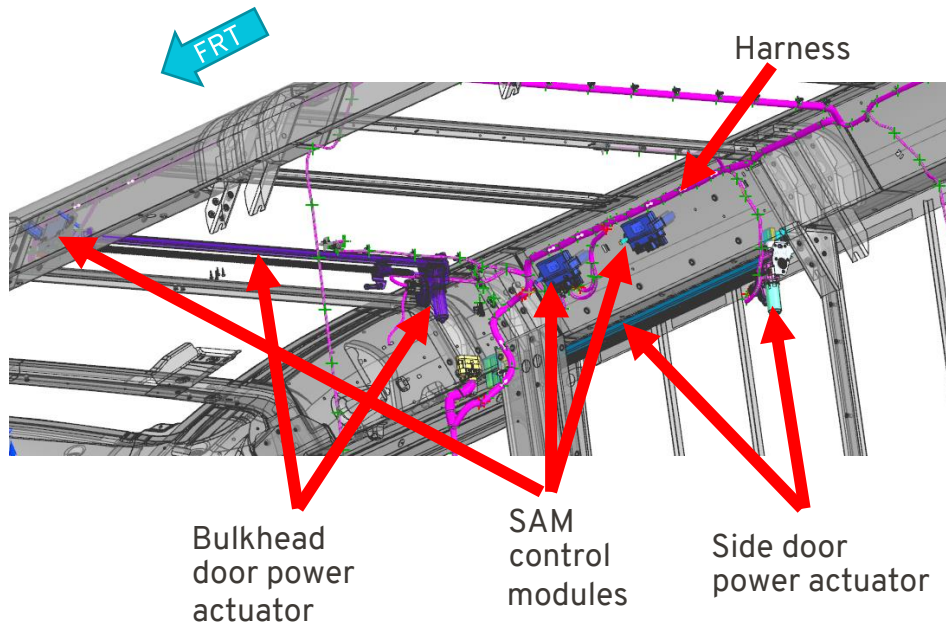
GM Upfitter Integration Technical Bulletins are intended for use by professional technicians, NOT a do-it-yourself-er. They are written to inform these technicians of conditions that may occur on some vehicles, or to provide information that could assist in the proper service and/or modification of a vehicle. These properly trained technicians have the equipment, tools, safety instructions, and know-how to do a job properly and safely. If a condition is described, DO NOT assume that the bulletin applies to your vehicle, or that your vehicle will have that condition. Contact GM Upfitter Integration or information on whether the information is applicable to your vehicle.

POWER DOOR PACKAGE

Curbside Door



Bulkhead Door

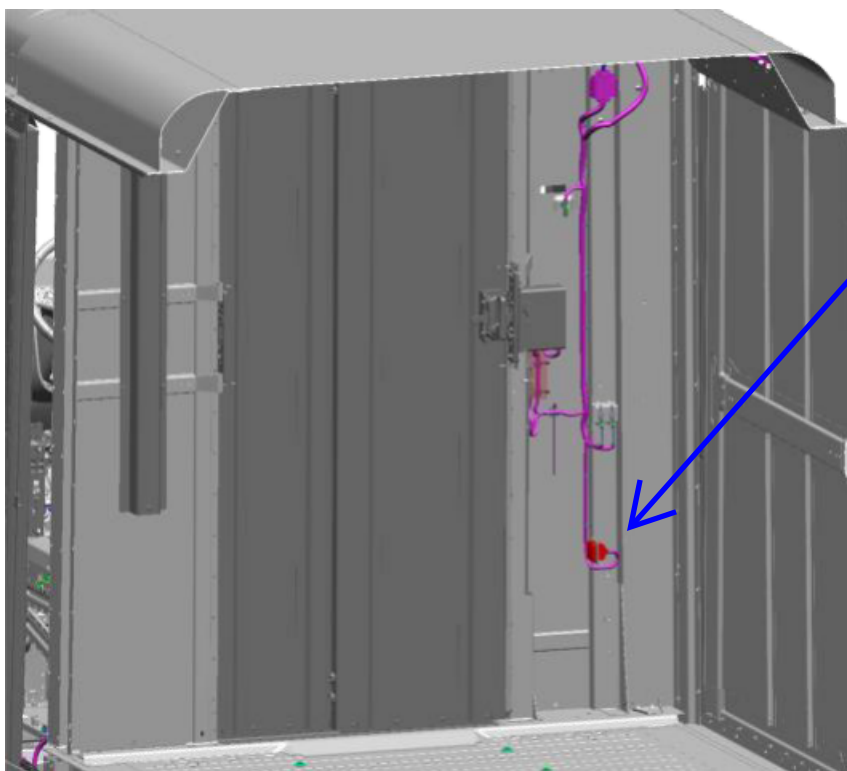
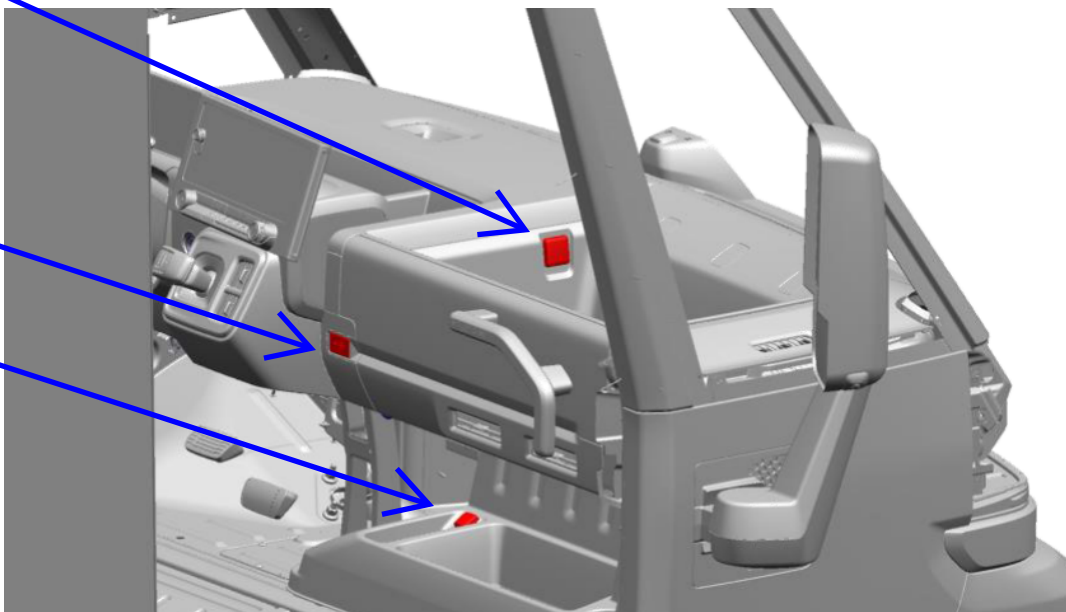


ELECTRICAL OUTLETS

110V - 400W Shared Outlet
in Cab Passenger
Upper Bin

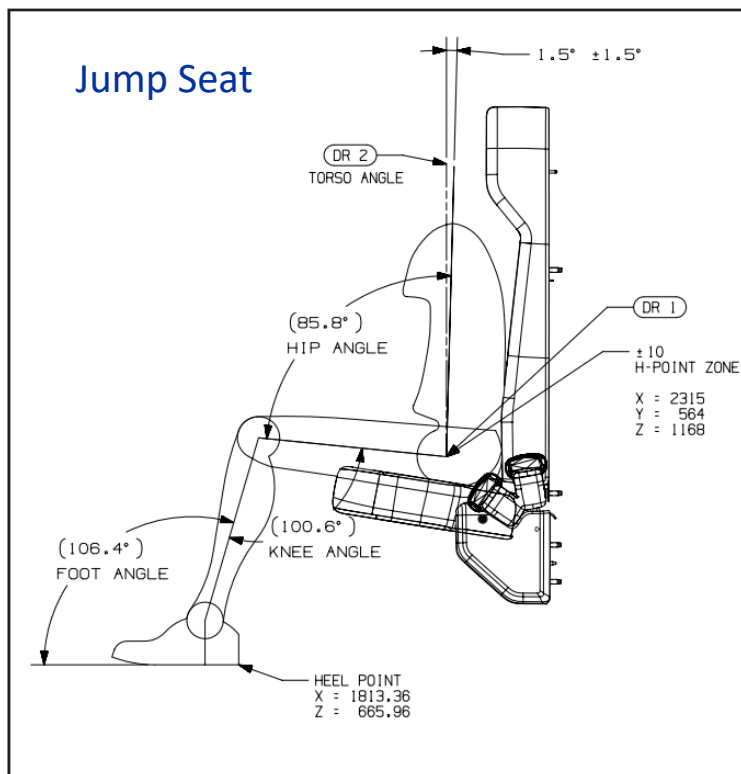
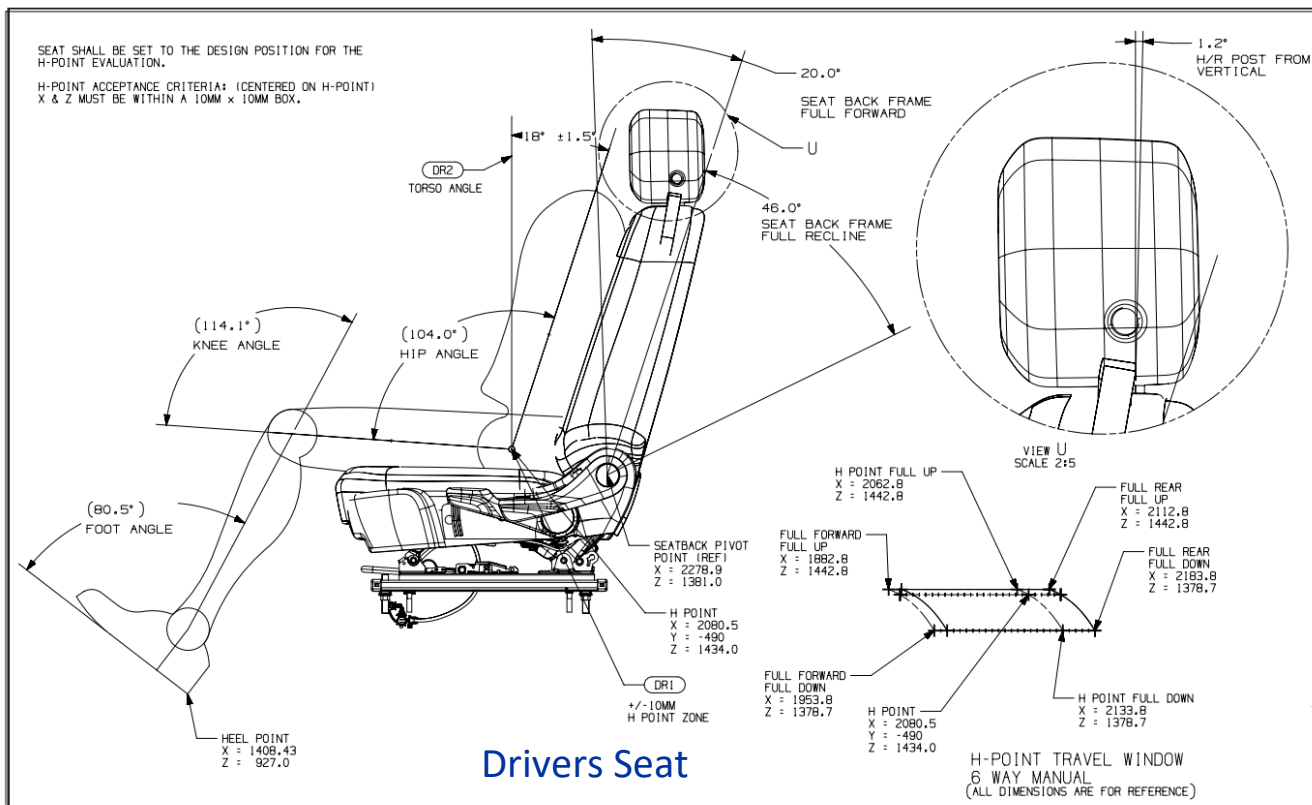
1 USB-A and 1 USB-C

110V Accessory
in Cab Passenger Lower

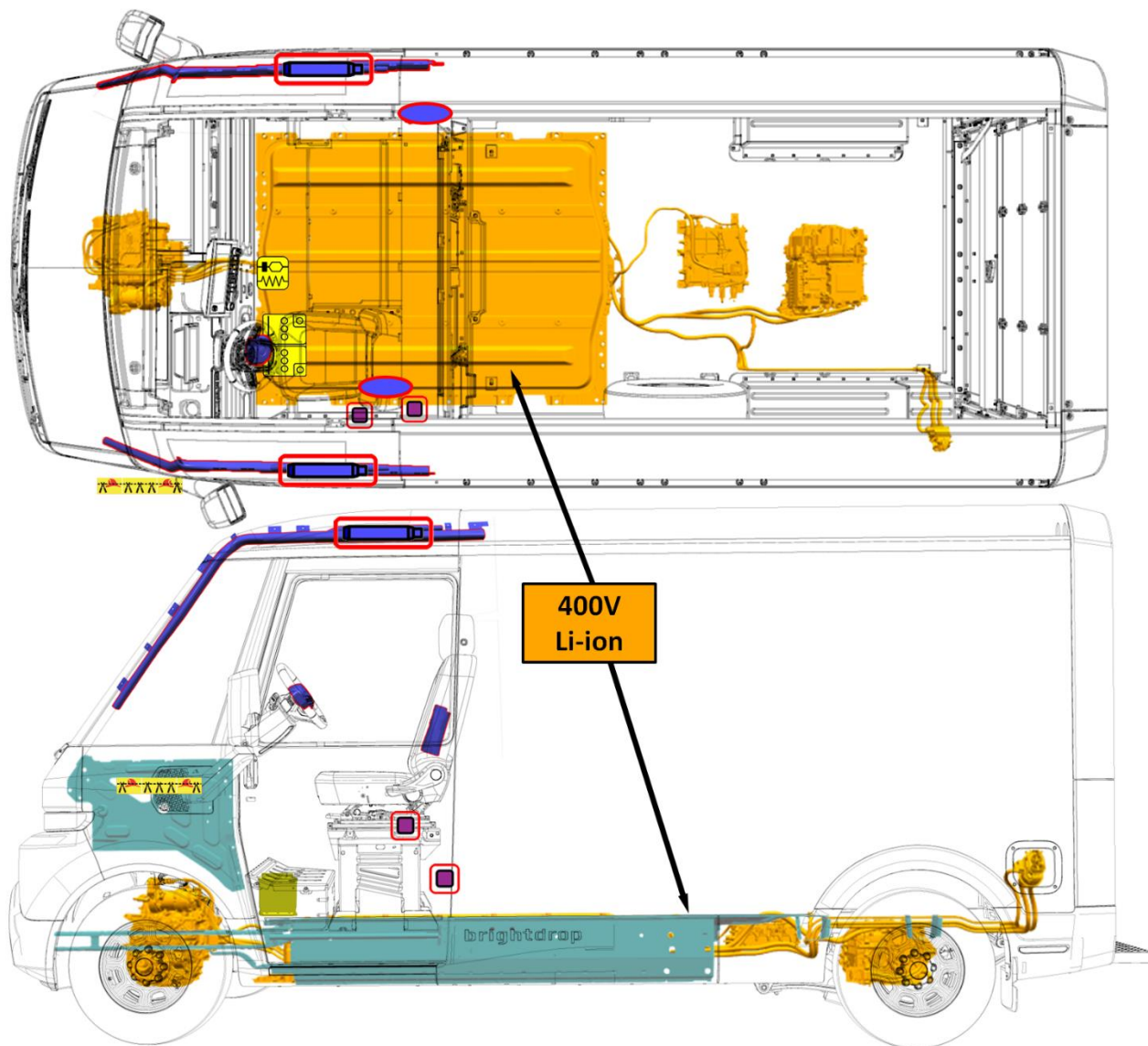


120V - 400W Outlet
in Cargo Area

SEATING H-POINTS



BRIGHTDROP 400 NO DRILL /NO CUT ZONES MY24 and later Emergency Response Guide (AWD)



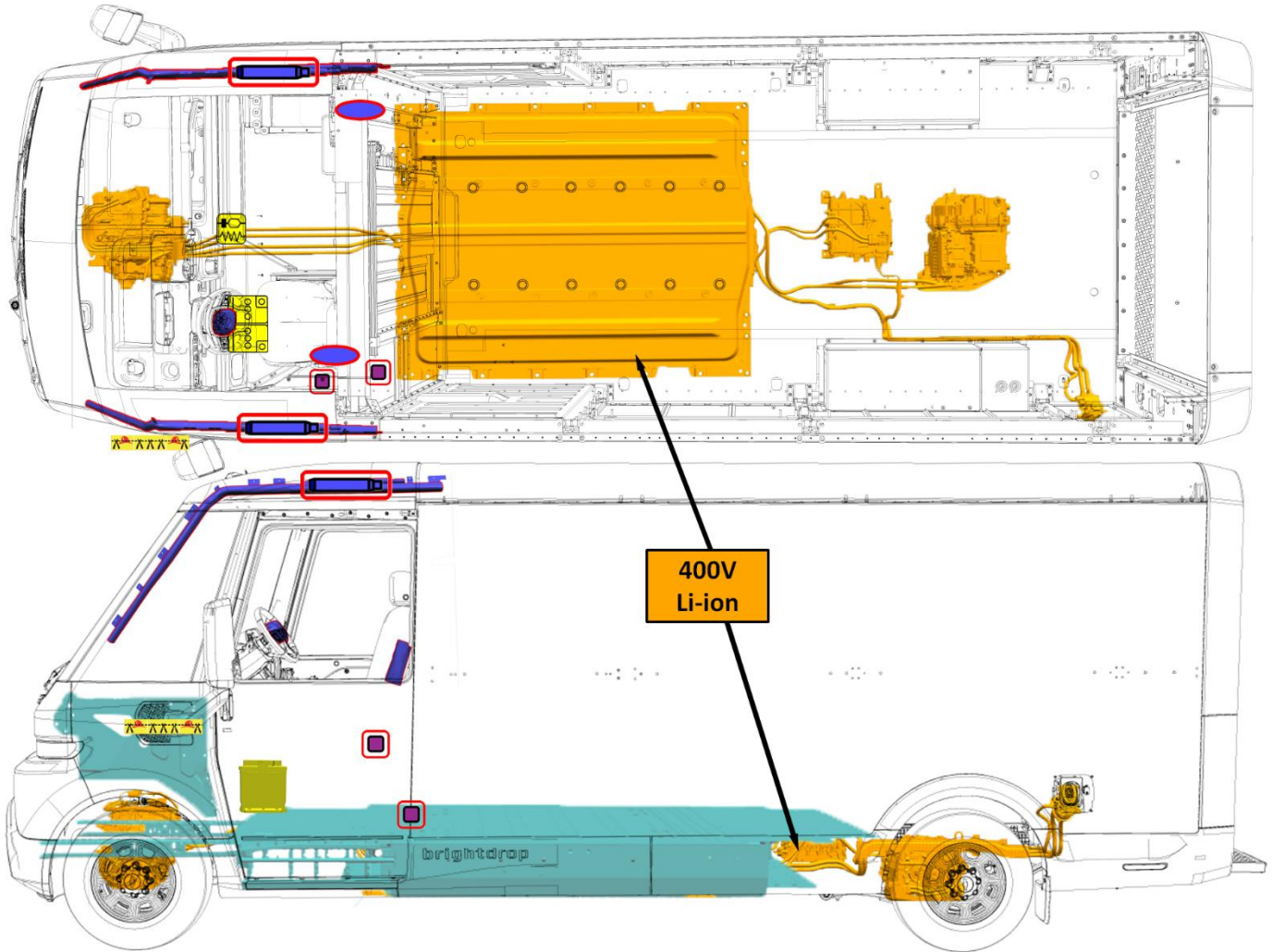
	Airbag		Stored gas inflator		Seat belt pretensioner		SRS control unit		Gas strut/Preloaded spring
	High strength zone		Battery low voltage		High voltage battery pack		High voltage power cable component		Cable Cut Location

No drilling above HV Battery
 No cutting of orange HV cables
 No modifications to HVAC Plumbing

WARNING - DO NOT CUT ANY ORANGE COLORED HIGH VOLTAGE CABLES

BRIGHTDROP 600 NO DRILL /NO CUT ZONES

MY23 and later Emergency Response Guide



400V
Li-ion

	Airbag		Stored gas inflator		Seat belt pretensioner		SRS control unit		Gas strut/ Preloaded spring
	High strength zone		Battery low voltage		High voltage battery pack		High voltage power cable component		Cable Cut Location

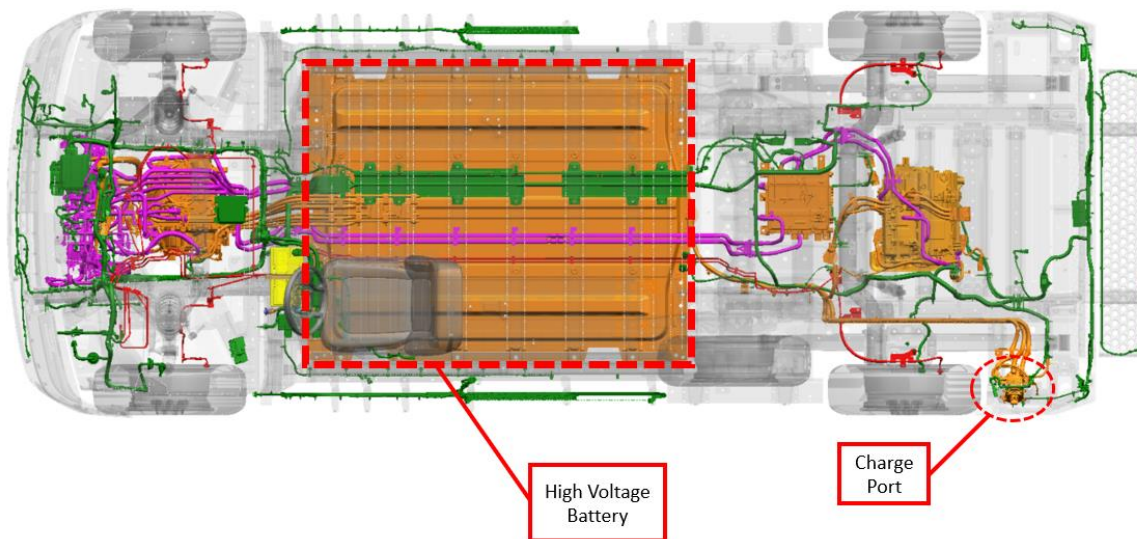
No drilling above HV Battery
 No cutting of orange HV cables
 No modifications to HVAC Plumbing

WARNING - DO NOT CUT ANY ORANGE COLORED HIGH VOLTAGE CABLES

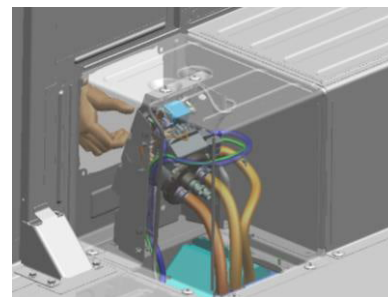
NO DRILL / NO CUT ZONES

Underbody Content

MY24 400 AWD

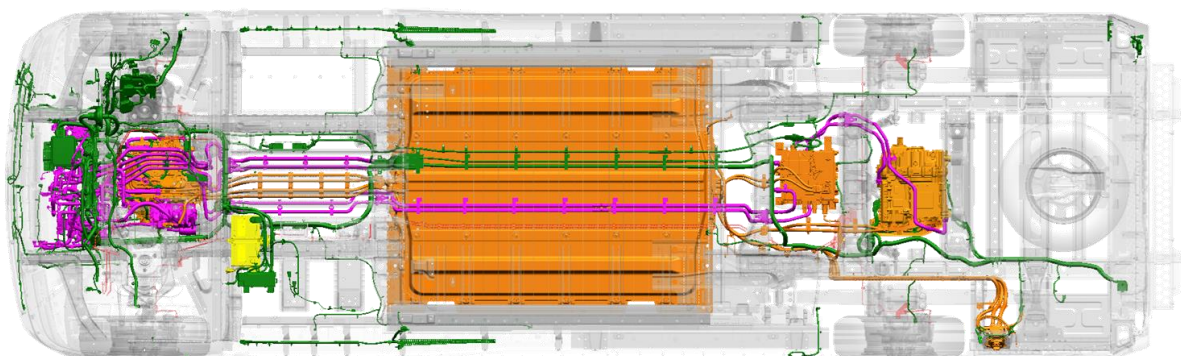


- HV Battery (orange)
- HV Cables/Modules/Drive Units (orange)
- 12V Wiring (green)
- Brake Lines (red)
- HVAC Plumbing (Pink)



Note: Rear Drive Unit & Cables

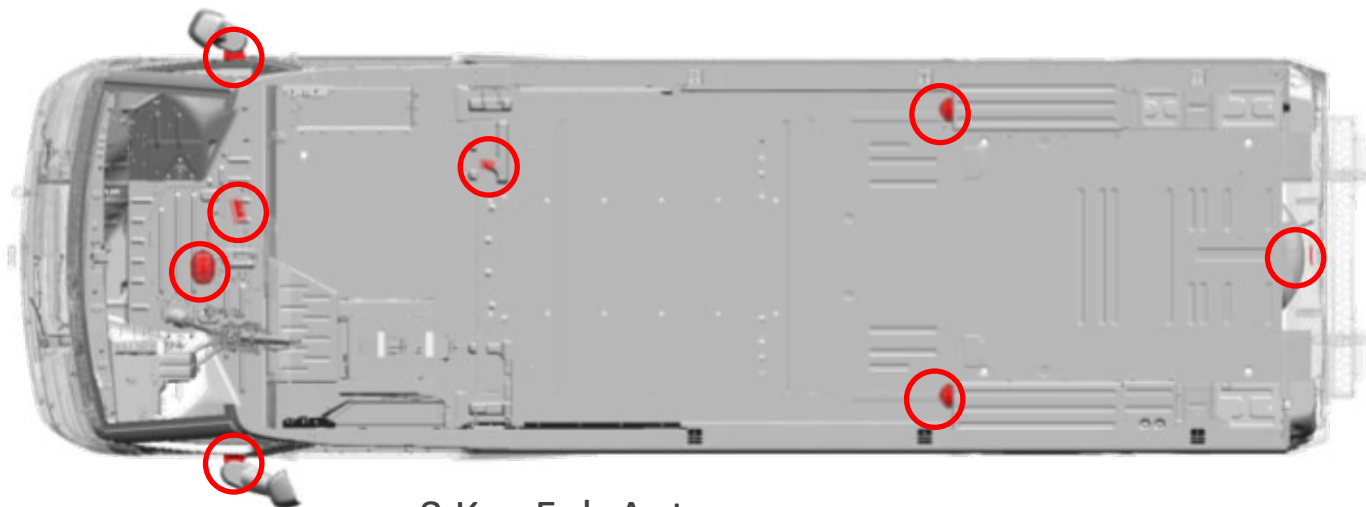
MY23/24 600 AWD



WARNING - DO NOT CUT ANY ORANGE COLORED HIGH VOLTAGE CABLES

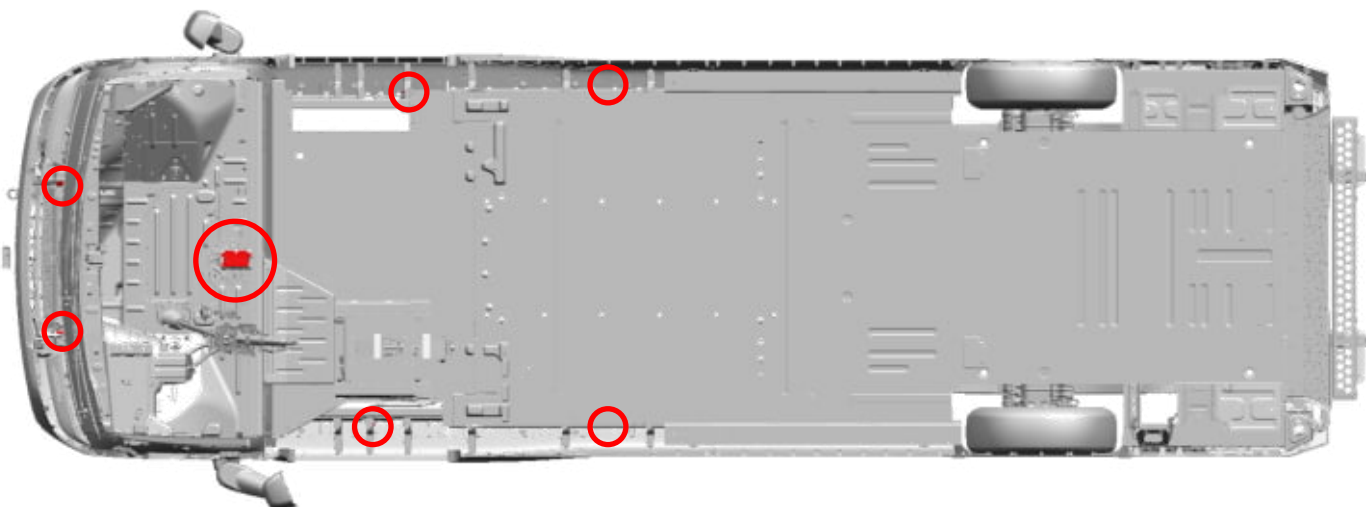
NO DRILL / NO CUT ZONES

Security Access Antennas



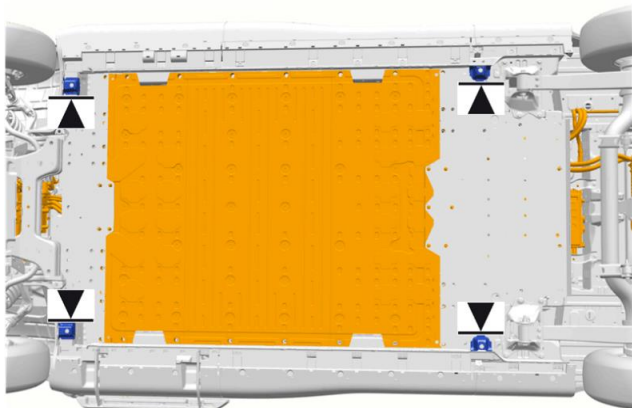
- 8 Key Fob Antennas
- Covering antennas will impair keyless entry/exit performance
- Keyed lock access at rear door

SRS Airbag Module & Impact Sensors



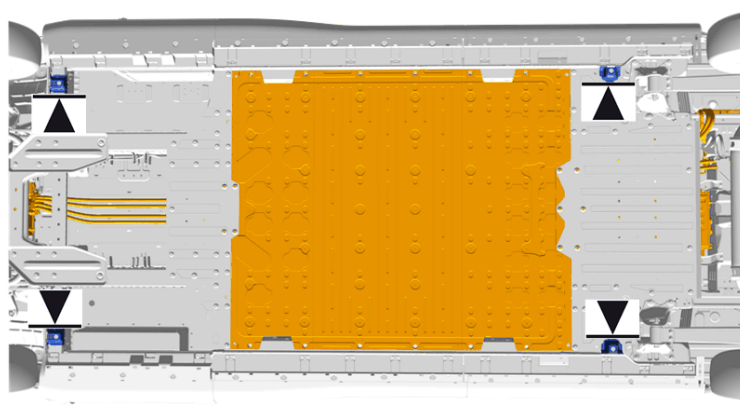
- SRS Airbag module centrally located under Lower IP Bin
- 6 Impact Sensors

BRIGHTDROP 400 /600 LIFTING POINTS MY23 and later Emergency Response Guide



▲ Lifting Points – BrightDrop 400 (2024 and later)

There are features on the body of the vehicle, for use as primary lifting points.
Do NOT lift the vehicle from any locations on the high voltage battery.



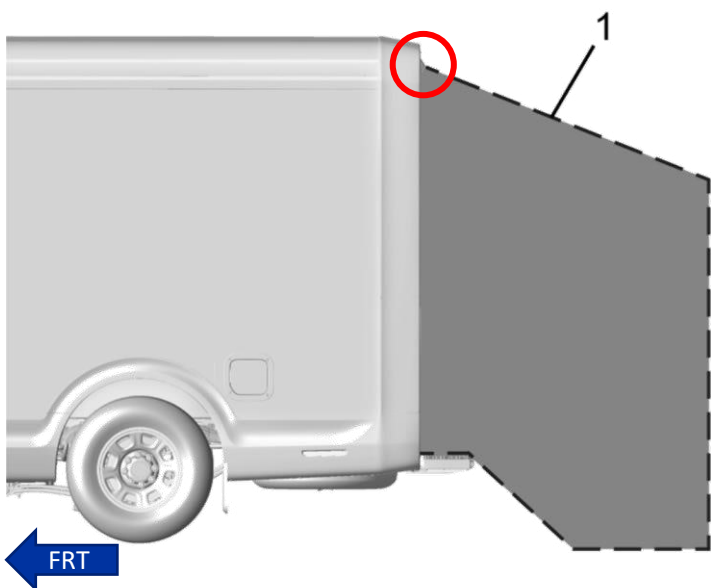
▲ Lifting Points – Brightdrop 600 (2023 and later)

The lifting point features should only be used for lifting the vehicle. Do NOT use these features as attachment points to move or tie the vehicle down.

CAMERAS

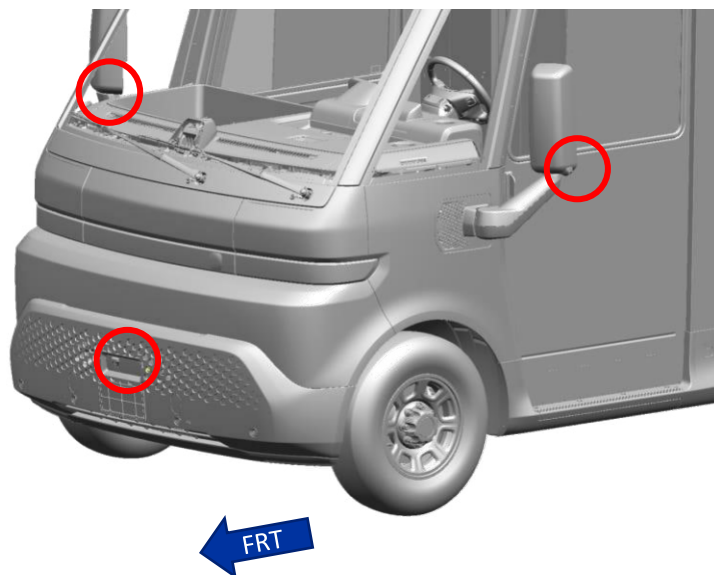
Standard Rear View Camera

Mounted in Rear Spoiler



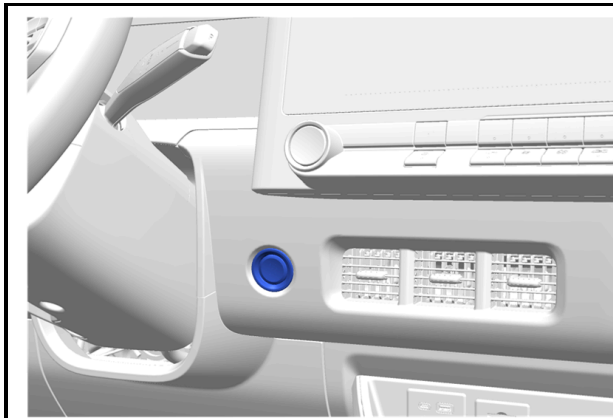
Optional Surround Vision

Coaxial cameras located in Mirrors and Front Fascia



BRIGHTDROP 400 /600 HIGH VOLTAGE SYSTEM MY23 and later Emergency Response Guide

Power Button (2024 and Later)



If the vehicle is already in PARK state, press the POWER button to disable vehicle propulsion.

Alternatively, press and hold the POWER button. The electric drive unit will shift to P (Park) then shut off automatically.



The high voltage system can remain energized even when the vehicle is in the OFF state.

Thermal Runaway Mitigation



The vehicle is equipped with a battery management system with internal fault detection, including thermal runaway mitigation. In the event of a **“Battery Danger Detected”** notification, **DO NOT cut or disable the low voltage system**, unless you need to disable the airbags for occupant extrication.

Automatic safety systems are enabled when low voltage power is available, including a battery thermal runaway mitigation system that internally cools the High Voltage battery when a thermal event is detected; this feature is available in non-crashed, static situations.

When these safeguards are activated, OnStar Advisors will contact First Responders. Information about this feature will be displayed on the driver instrument panel including a “Battery Danger Detected” message. The vehicle will also activate the horn and the hazard lights.

In the event of a “Battery Danger Detected” notification, DO NOT cut or disable the low voltage system during the thermal runaway mitigation cycle, unless you need to disable the airbags for an occupant extrication.



In Case of Crash High Voltage Disable Procedure (2023 and later)

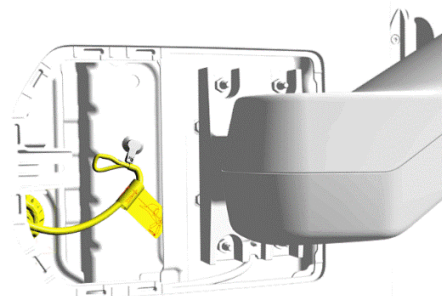
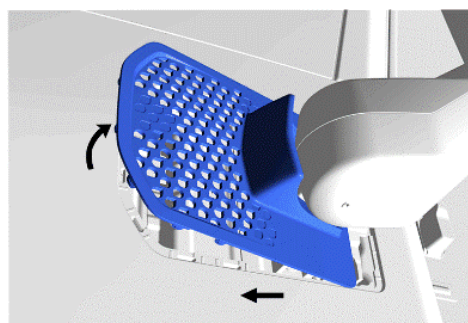


Low Voltage Cable Cut Point

1. Remove the outside rear view mirror cover:
 - A. Start at the bottom of the cover and pry out.
 - B. Release the tabs at the front and top of the cover.
 - C. Slide the cover forward to remove.
2. Double cut the low voltage cable marked by the yellow tape. Ensure that the cuts are clean and that there is no risk of loose wires touching.

This cut will disable the airbag and high voltage.

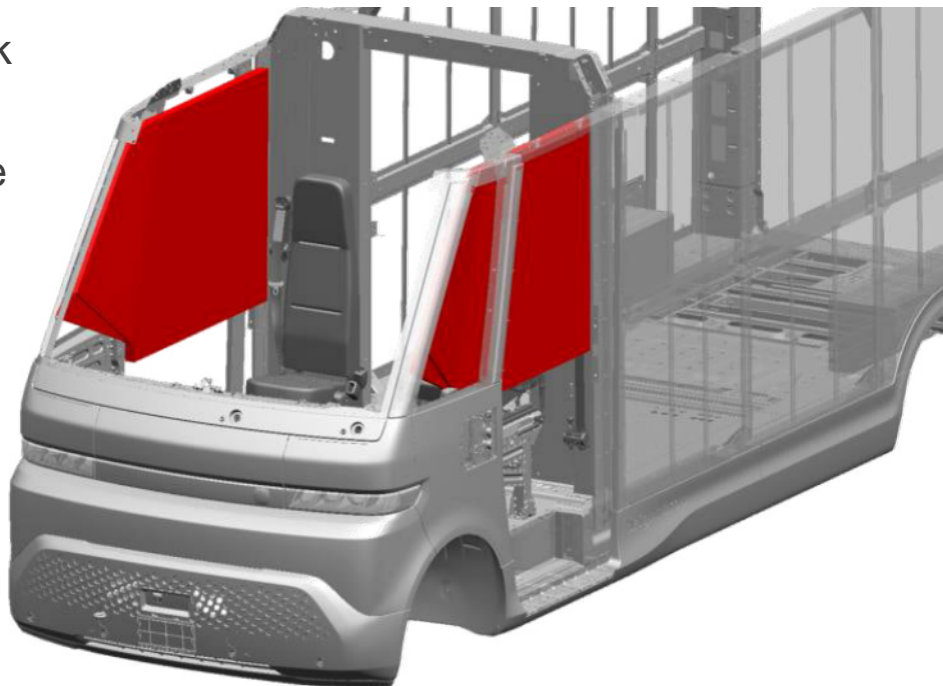
DO NOT CUT ANY ORANGE COLORED HIGH VOLTAGE CABLES.



AIRBAG DIMENSIONS

Roof Rail Airbags

- 50 mm Thick
- 1087 mm Tall
- 1800 mm Wide



Side Airbags

Jump Seat

- 50 mm Thick
- 510 mm Tall
- 291 mm Wide

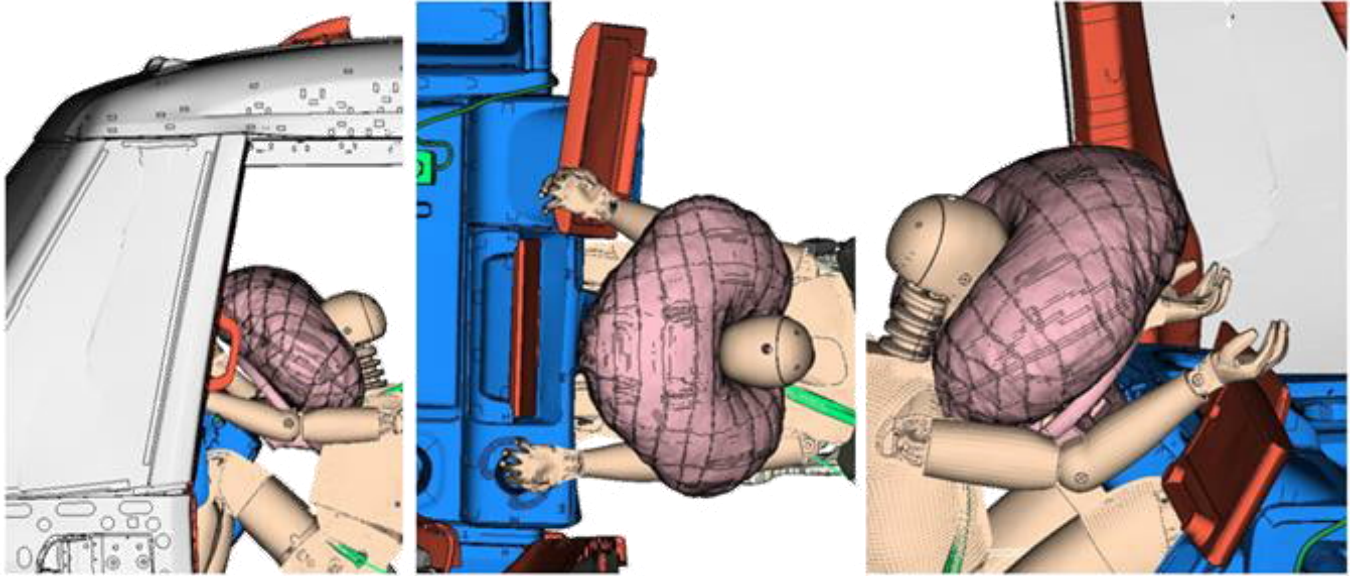


Driver Seat - Outboard

- 111 mm Thick
- 725 mm Tall
- 819 mm Wide

Sitting too close to an airbag when it deploys can increase the risk of serious injury or death. Always properly wear your seat belt. See Owner's Manual for more information.

AIRBAG DIMENSIONS



• 560 mm Tall

• 545 mm Wide

• 280 mm Thick

AIRBAGS FAQ

Q: Can equipment such as radar devices, video cameras, and radio trees be mounted in a specialty vehicle equipped with a right front passenger frontal airbag?

A: Yes, but care must be taken to properly mount the equipment outside of the airbag "deployment zone."

Q: What is the airbag "deployment zone"?

A: The term "deployment zone" describes the space an airbag takes up when fully inflated. Airbags need room to work properly, and anything in the "deployment zone" – such as improperly mounted equipment – can greatly affect the performance of the airbag.

Q: How can I identify the airbag "deployment zone" in my vehicle?

A: See Airbag Deployment Diagrams for more information. The diagrams provide the approximate dimensions of the "deployment zones" for your specialty vehicle. Before doing any service work, including the installation of any equipment, consult the appropriate service manual.

Q: Is it possible to shield equipment so it does not interfere with airbag deployment?

A: While shielding may protect certain equipment from being damaged or dislodged, it may also negatively affect how an airbag inflates. Therefore, we do not recommend the placement of any equipment in the deployment zone, even if shielded.

See "Adding Equipment to the Airbag-Equipped Vehicle" in the owner manual for more information.

Customer-Installed Equipment

Before installing equipment, read the following.

Airbags inflate with great force, faster than the blink of an eye. No objects, such as shotguns, should be placed over or near the airbag covers. Equipment mounted too close to an inflating airbag could prevent the airbag from operating properly to protect the occupants or could be forced into an occupant or break and become a dangerous projectile, causing severe injury or even death. To help prevent injury and to allow the airbag to perform as it was designed, do not mount equipment inside the airbag deployment zones.

Do not attach anything to the steering wheel hub or mount any equipment within the deployment zone for the driver airbag.

Do not mount equipment on the passenger side of the instrument panel top pad deployment zone. Equipment should not be mounted on or around the passenger airbag opening because of a deploying airbag. To allow the airbag to perform as it was designed, do not mount equipment inside the airbag deployment zone.

Do not mount a security barrier such that the ends of the barrier or brackets are within the roof-rail airbag deployment zones.

Avoid installing wiring for roof-rail emergency lighting or radio antennas that may restrict the proper deployment of the roof-rail airbags.

GM approved service procedures must be followed to remove and reinstall the instrument panel to the pad to ensure proper airbag deployment.

ONSTAR

POV¹ ONSTAR INSIGHTS - 12 Months of Service OnStar Insights service is included in the price of the vehicle. Total service duration is 12 months. Non-Transferrable. Non-Refundable.

POW¹ ONSTAR INSIGHTS - 24 Months of Service OnStar Insights service is included in the price of the vehicle. Total service duration is 24 months. Non-Transferrable. Non-Refundable.

POX¹ ONSTAR INSIGHTS - 36 Months of Service OnStar Insights service is included in the price of the vehicle. Total service duration is 36 months. Non-Transferrable. Non-Refundable.

POY¹ ONSTAR INSIGHTS - 48 Months of Service OnStar Insights service is included in the price of the vehicle. Total service duration is 12 months. Non-Transferrable. Non-Refundable.

POZ¹ ONSTAR INSIGHTS - 60 Months of Service OnStar Insights service is included in the price of the vehicle. Total service duration is 60 months. Non-Transferrable. Non-Refundable.

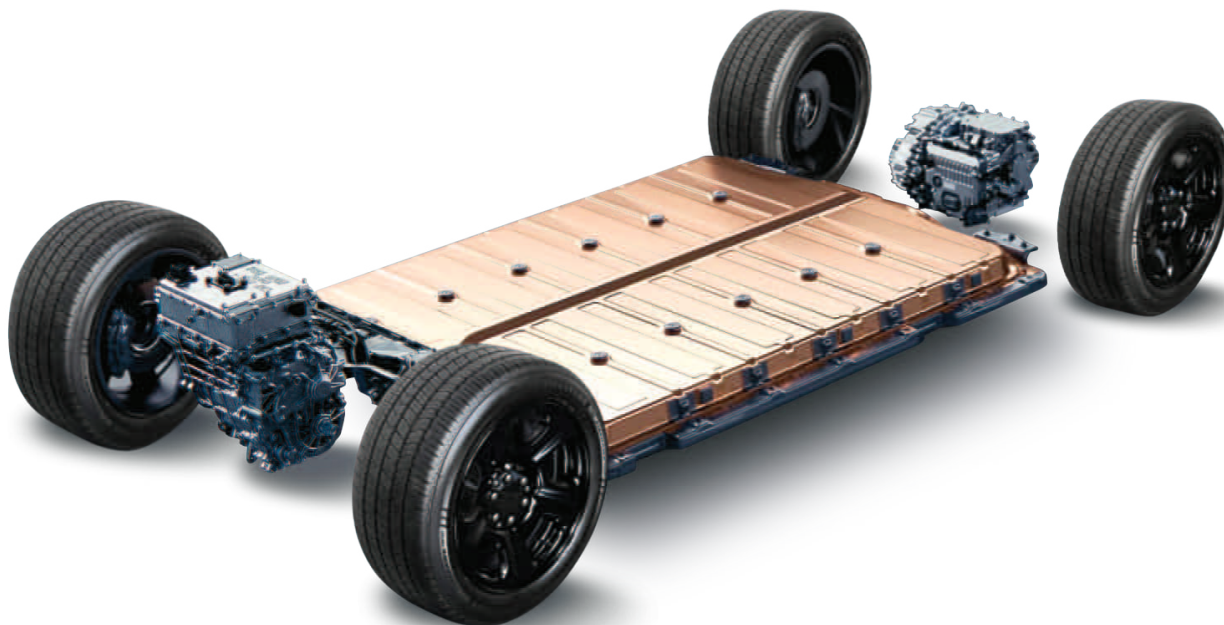


1. OnStar Insights provides fleet managers and drivers the tools and data they need to help maximize fleet productivity and help maximize fleet's operational efficiencies. OnStar Insights relays real-time vehicle data like vehicle location, driver performance information and more. Eligible customers must sign up for an account at www.onstarvehicleinsights.com in order to take advantage of this offer. Requires an active connected vehicle services plan. Requires (UE1) OnStar. Requires one of the following US Fleet or Government order types: FLS, FNR, FRC, FBC, FGO or FEF. Not available with POU, POJ, POK, POL, POQ, POV, POW, POY, POZ, R8G, R8P, R8W, R8Z, or RFH. Not available with a ship-to of Guam, Puerto Rico or the Virgin Islands.

EMISSIONS - ZERO EMISSIONS VEHICLE (ZEV)

FE9	Emissions , Federal requirements
NE1	Emissions , Connecticut, Delaware, Maine, Maryland, Massachusetts, New Jersey, New York, Oregon, Pennsylvania, Rhode Island, Vermont and Washington state requirements
YF5	Emissions , California state requirements
NB8	Emissions override , California (allows a dealer in states that require California emissions - California, Connecticut, Delaware, Maryland, Massachusetts, New Jersey, New York, Oregon, Pennsylvania, Rhode Island or Washington - to order Federal emissions for a vehicle that will be registered in a state that has Federal emission requirements). Do not use for vehicles that will be registered in California, Connecticut, Delaware, Maryland, Massachusetts, New Jersey, New York, Oregon, Pennsylvania, Rhode Island or Washington. Requires (FE9) Federal emissions requirements. Not available in Maine or Vermont.
NB9	Emissions override , state-specific (for dealers ordering vehicles in (YF5) or (NE1) emission states - California, Connecticut, Delaware, Maine, Maryland, Massachusetts, New Jersey, New York, Oregon, Pennsylvania, Rhode Island, Vermont and Washington) Allows a California dealer (YF5 emissions) to order (NE1) emissions with (NB9) emissions override code for registration in (NE1) states; or, a Connecticut, Delaware, Maine, Massachusetts, New Jersey, New York, Oregon, Pennsylvania, Rhode Island, Vermont and Washington dealer (NE1 emissions) to order (YF5) emissions with (NB9) emissions override code for registration in California.
NC7	Emissions override , Federal (for vehicles ordered by dealers in Federal emission states with (YF5) or (NE1) emissions - Not required for vehicles being shipped to California, Connecticut, Delaware, Maine, Maryland, Massachusetts, New Jersey, New York, Oregon, Pennsylvania, Rhode Island, Vermont or Washington) Requires (YF5) California state emissions requirements or (NE1) Connecticut, Delaware, Maine, Massachusetts, New York, Pennsylvania, Rhode Island or Vermont state emission requirements.

FE9 NAME CERTIFICATION EMISSION, FEDERAL
 NE1 NAME CERTIFICATION EMISSION, GEOGRAPHICALLY RESTRICTED
 YF5 NAME CERTIFICATION EMISSION, CALIFORNIA is certified to EPA Tier 3 BIN 70 standards and qualifies as ULEV 70 (Ultra Low Emission Vehicle) under California Air Resources Board (CARB) requirements, meaning it is 50-state certified.
 EPA engine family or test group: MGMXT05.3388



MAINTENANCE / LIMITED WARRANTY

SCHEDULED MAINTENANCE	One visit within first year of vehicle delivery ¹
BUMPER-TO-BUMPER LIMITED WARRANTY	3 years/36,000 miles ² . Bumper-to-Bumper Limited Warranty with no deductible
ELECTRIC VEHICLE PROPULSION LIMITED WARRANTY	8 Years / 100,000 Miles ²
TIRES⁴	3 years/36,000 miles ² ; coverage prorated after first 12,000 miles
ROADSIDE ASSISTANCE AND COURTESY TRANSPORTATION	Qualified Fleet Customers: 5 years/100,000 miles ³
RUST-THROUGH	6 years/100,000 miles ²
CORROSION	3 years/36,000 miles ²
WHEEL ALIGNMENT AND BALANCE	Up to 7,500 miles ⁵
RESTRAINT SYSTEM	6 years/72,000 miles ²

1. Includes first required maintenance visit as stated in vehicle maintenance schedule. Maintenance visit consists of oil change, tire rotation and Multi-Point Vehicle Inspection. Does not include air filters. See participating dealer for other restrictions and complete details. Excludes vehicles ordered with fleet delete option RY9. **2.** Whichever comes first. See dealer for limited warranty details. **3.** Tires also covered under the Bumper-to-Bumper Warranty but are prorated based upon mileage. See dealer for warranty details. **4.** If the vehicle has a warrant-able failure, see your Owner's Manual for full details on the Courtesy Transportation program. **5.** Customer maintenance item after 7,500 miles.

UPFITTER TECHNICAL BULLETINS

The technical information in this catalog is intended for use by professional technicians. They are to inform these technicians of conditions that may occur on some vehicles, or to provide information that could assist in the proper service and/or modification of a vehicle. If a condition is described, DO NOT assume that this applies to your vehicle or that your vehicle will have that condition. Contact GM Upfitter Integration for information on whether the information is applicable to your vehicle. Check the website for latest bulletins.

TECHNICAL BULLETINS Available on <https://www.gmupfitter.com>

- 202 06/26/2024 Backup Alarm Installation Recommendations
- 198b 01/18/2024 High Voltage Disabling/Enabling
- 197 11/15/2023 BrightDrop Exterior Panel Dimensions
- 196 10/09/2023 Adding Upfitter Switches (9L7) - BrightDrop Vans
- 192b 08/29/2023 BrightDrop Delivery Inspection Training Video and Forms
- 191b 07/25/2023 Cautionary – NO Drill/Air Bag Zones – Cargo Van
- 190 04/06/2023 Battery Negative Cable Disconnection and Connection - Bright Drop 600
- 189 04/06/2023 EV - High Voltage Safety
- 188c 06/27/2023 Adding Ignition and Battery powered circuits for upfitter use BrightDrop cargo vans

UPFITTER INTEGRATION LINKS

The technical information in this catalog is intended for use by professional technicians. They are to inform these technicians of conditions that may occur on some vehicles, or to provide information that could assist in the proper service and/or modification of a vehicle. If a condition is described, DO NOT assume that this applies to your vehicle or that your vehicle will have that condition.

Contact GM Upfitter Integration for information on whether the information is applicable to your vehicle

2025 GM ENVOLVE FLEET GUIDE

<https://gm-interactive.one10marketing.com/gmenvolve/fleet-guide/0001.html>

CHEVROLET COMMERCIAL VEHICLES - Versatility meets performance, efficiency, and technology in every Chevrolet commercial vehicle. With a proven lineup of dependable trucks and vans.

<https://www.chevrolet.com/commercial>

ONLINE ORDER GUIDES

Online Order / Reference Guide is intended solely for reference purposes only. Certain models, options or equipment may be available only to customers who qualify as fleet or commercial customers.

<https://www.gmfleetorderguide.com/map>

GM ACCESSIBILITY: Get information about vehicles that suit the individual requirements of special-needs drivers, and programs to make them more affordable.

<https://www.gmenvolve.com>

OWNER SERVICE MANUALS For Manuals and CD ROMS: Factory Repair Manuals, Owner Manuals, ETMs, Wiring Diagrams, Body Repair Manuals, Collision Books, TSBs.

https://experience.gm.com/certified-service?evar25=xbhub_globalnav_service

GM VEHICLE OWNER AND SERVICE MANUAL - For Manuals and CD ROMS: Factory Repair Manuals, Owner Manuals, ETMs, Wiring Diagrams, Body Repair Manuals, Collision Books, TSBs.

<http://www.goodwrench.com/Tips/OwnerManuals.jsp>

CERTIFIED SERVICE- The Certified Service experts at your local Chevrolet, Buick, GMC, and Cadillac dealer can provide service, parts, and maintenance <http://www.mycertifiedservice.com/r> your vehicle.

SVM LOCATOR - General Motors Special Vehicle Manufacturers provide quality upfit products that enhance GM trucks and vans. SVMs are selected on the merit of their upfit/conversion, financial stability, and adherence to the governmental and trade association requirements.

http://www.gmfleet.com/fleet/finddealer/svmlocator_landing.jsp

GM UPFITTER INTEGRATION - QUICK LINKS (NON-GM LINKS)

The following links will launch you to an independent website outside of General Motors, which has it's own privacy policies

INTERNATIONAL FLEET SALES: International Fleet Sales (IFS) is the authorized export distributor of General Motors vehicles, parts and service.

<http://www.internationalfleetsales.com/>

AC DELCO TECHCONNECT: Comprehensive coverage, product quality, competitive prices, and industry-leading training make the AC Delco All Makes, All Models product line a true winner and a must-have for Independent Service Centers.

FIRST RESPONDERS - Here you will find information to assist First Responders in learning about vehicles and/or systems that may affect how they perform in an emergency situation.

<https://www.gmstc.com/index.php/first-responders>

TRAINING - Here you will find information on how to obtain GM Technical Training for Dealers, Fleet Customers and Non GM dealers.

<https://www.gmupfitter.com/wp-content/uploads/2023/09/Training.pdf>

NATIONAL TRUCK EQUIPMENT ASSOCIATION (NTEA) – TECHNICAL RESOURCES - How to obtain supportive information such as an FMVSS Guide, Weight Calculators and OEM Chassis Considerations Guide and more.

<https://www.ntea.com/technicalresources>



GM reserves the right to make changes at any time, without notice, in prices, colors, materials, equipment, specifications, models, and availability. Specifications, dimensions, measurements, ratings, and other numbers in this catalog and other printed materials provided at the dealership or affixed to vehicles are approximates based upon design and engineering drawings and prototypes and laboratory tests. Your vehicle may differ due to variations in manufacture and equipment. Since some information may have been updated since the time of printing, please check with your GM dealer for complete details. Some of the equipment shown or described throughout this publication may be available at extra cost, and/or is supplied by an independent supplier.

Copyright 2024 General Motors. All rights reserved. All text, images, graphics, and other materials in this publication are subject to the copyright and other intellectual property rights of General Motors. These materials may not be reproduced, distributed, or modified without the express written permission of General Motors. The marks appearing in this publication including, but not limited to: GM and the GM logo; Chevrolet and their respective logos, emblems, slogans, and vehicle model names and body designs; and other marks such as GM ENVOLVE and Commercial are trademarks and/or service marks of General Motors, its subsidiaries, affiliates, or licensors.

For more detailed information, contact your District Sales Manager or see the online order guide at gmevolve.com

