



2025

# TAHOE 4X4 SPECIAL SERVICE



Shown with equipment from independent suppliers not covered by the GM New Vehicle Limited Warranty. GM is not responsible for the safety or quality of independent supplier alterations.





## About This Publication

This catalog is not updated during the model year and should not be used for ordering purposes. It is intended as a source of basic information. All illustrations and specifications in this literature are based on the latest product information available at the time of publication. General Motors reserves the right to make changes at any time without notice. For further details, consult your local dealer.

Care must be taken during customer installation of equipment and wiring to ensure that all holes drilled in the body are corrosion protected, properly sealed and that vehicle wiring harnesses, piping or other components have not been displaced or damaged. Aftermarket equipment installers must be mindful of applicable Federal Motor Vehicle Safety Standards. This information can be obtained directly from the National Highway Traffic Safety Administration. Adding non-dealer accessories or making modifications to the vehicle can affect vehicle performance, aerodynamics, and overall top speed. Please return all police vehicles to factory condition and settings upon decommissioning to prevent civilians from using these new 2025 calibrations, lighting and other features intended only for police and emergency customers. Wiring connection or splice changes are to be removed before the vehicle is returned to civilian use.

These vehicles are equipped with an airbag system. The airbag system in your police vehicle includes frontal driver and front outboard passenger airbags, front seat back side impact airbags and Head-curtain airbags for all rows in outboard seating positions. Customer installed equipment such as security barriers behind the front seats should not be mounted so that the barrier ends are within the side airbag deployment zones. The sensors and other components for the airbag system must not be relocated to accommodate the installation of customer furnished equipment; please refer to the service manual for sensor and other component locations. For information concerning instrument panel top pad mounted equipment and airbag system deployment zones, see the airbag information section in this catalog and the vehicle owners manual.

A note about vehicle alterations by independent suppliers: This catalog shows pictures of vehicles that have been altered or upfitted with equipment or components supplied to Chevrolet or its dealers by independent suppliers. GM is not responsible for the safety or quality of design features, materials or workmanship of any alterations by third parties.

# INDEX

## 2025 TAHOE 5W4 SPECIAL SERVICE PACKAGE

- **UPDATES FOR 2025 MODEL YEAR**
- **STANDARD FEATURES**
- **POWERTRAIN & EMISSIONS**
- **SPECIFICATIONS**
- **SPEEDOMETER/CLUSTER DISPLAY**
- **RADIO SCREEN DISPLAY**
- **STANDARD FEATURES HIGHLIGHTS**
- **COLORS, INTERIOR TRIM AND SEATS**
- **OPTIONAL FEATURES**
- **OnStar®**
- **OPTIONAL FEATURES HIGHLIGHTS**
- **WIRING DIAGRAMS**
- **STABILITRAK**
- **LOADING ZONES**
- **AIRBAG DIMENSIONS**
- **AIRBAGS FAQ**
- **MAINTENANCE AND LIMITED WARRANTY**



This document shows vehicles that have been altered or upfitted with equipment, bodies or components. GM is not responsible for the safety or quality of design features, materials or workmanship of any alterations by third parties.

# UPDATES FOR 2025

## NEW STANDARD FEATURES

- **Audio System (URW) 17.7" diagonal advanced color LCD display**
- **Driver Information Display (URF) 11" diagonal multi-color digital display**
- **HD Surround Vision (UV2) includes front grill and exterior mirror cameras**
- **USB Ports, 2 type-A and C, charge and data, located on front console (UBD) and 2 type-C, charge only, located in third row (UCB)**
- **5G Wi-Fi Hotspot capable (U5G)**
- **OnStar One Basics (OnStar Fleet Basics for Fleet)**
- **LED Tail Lamps (TAB)**
- **Vinyl Steering Wheel with high/low paddle shift (N5V)**
- **4 Additional Remotes (AMF) for a total of 6 keys**
- **Remote Start (BTV)**
- **Universal Vehicle Module (KGU) - Provides CAN readability utilizing SAE J1939 formatting. This gateway module offers 10-switchable inputs and outputs and includes a Graphical User Interface (GUI) to customize the UVM to specific customer needs.**
- **Engine Idle Hour Meter**
- **Column mounted Gear Selector**
- **Rear Pedestrian Alert (UKK)**
- **1FL Safety Package (PQA) updated to include;**
  - **Blind Zone Steering Assist (UKI)**
  - **Rear Cross Traffic Braking (UFB)**
  - **Side Bicyclist Alert (UOW)**
  - **IntelliBeam (TQ5)**
  - **Intersection Automatic Emergency Braking (CTB)**
  - **Enhanced Lane Keep Assist with Lane Departure Warning (UKM)**
  - **Automatic Emergency Braking (UHY)**
  - **Front Pedestrian and Bicyclist Braking (UKT)**
  - **Rear Camera Mirror (DRZ)**
- **Rear Camera Mirror (DRZ) now available with 1FL Safety Package**

## NEW OPTIONAL FEATURES

- **20" x 9" machined aluminum wheels with charcoal pockets**
- **Engine Block Heater (K05)**
- **Lakeshore Blue Metallic (GXP)**

## DELETIONS

- **Midnight Blue Metallic (GLU)**
- **Sterling Sage Metallic (G6N)**
- **Empire Beige Metallic (GJW)**
- **Max. Trailering Package (NHT)**
- **Second row seat delete (ATZ)**
- **Front Park Assist**
- **OnStar Deactivated (UDA)**
- **Front bucket seats with retail center console (A50)**
- **Splash Guards (VQK)**

The four-wheel drive Tahoe Special Service (5W4) offers support in general utility for off-road and non-pursuit operations. GM restricts the sale of this model and they are not to be sold to retail customers. CK10706 with equipment group 1FL is required when ordering the 5W4 Special Service Vehicle (SSV). Content, options and specifications shown are for the SSV only which differs from retail civilian model. Package includes full independent suspension with 265/65R18SL all-season tires mounted on 18" aluminum wheels and includes a includes heavy-duty air filter, 250amp high output alternator, 760 cold-cranking amps auxiliary battery, electrical power and vehicle signals for customer connection located at the center front floor, auxiliary battery circuit for customer connection located in the rear cargo area, front skid plate, Surveillance Mode interior lighting calibration, blunt cut cargo area and blunt cut console area ground wires, delete luggage rack side rails, third row seat delete and active single-speed transfer case. Certified speedometer, work truck steering wheel with two re-purposed switches to operate after-market emergency equipment. Police specific front seat backs and bolsters are skived to better accommodate officers wearing duty belts. Two-wheel drive model is not available.

## STANDARD 5W4 INTERIOR FEATURES

<b>AIRBAGS<sup>1</sup></b>	Frontal airbags for driver and front outboard passenger with automatic front passenger sensing for airbag cut-off; Seat-mounted side-impact airbags for driver and front outboard passenger; Head-curtain airbags for all rows in outboard seating positions.
<b>AIR CONDITIONING</b>	Tri-zone automatic climate control, with individual climate settings for driver, right front passenger and rear seat occupants. Includes rear air conditioning.
<b>ASSIST HANDLES</b>	Overhead, driver and front passenger, located in headliner. Front passenger A-pillar and second row outboard B-pillar. A-pillar and B-pillar handles are deleted when (7X2) or (7X3) spotlights are ordered.
<b>AUDIO SYSTEM<sup>2</sup></b>	6-speaker system with 17.7" diagonal advanced color LCD display with Google built-in compatibility (select service plan required, terms and limitations apply), including navigation capability, connected apps, personalized profiles for each driver's settings, Natural Voice Recognition and Phone Integration.
<b>BLUETOOTH<sup>3</sup></b>	Personal cell phone connectivity to vehicle audio system.
<b>BUCKLE TO DRIVE</b>	Prevents vehicle from being shifted out of Park until driver seat belt is fastened; times out after 20 seconds and encourages seat belt use, can be turned on and off in Settings or Teen Driver menu This feature is defaulted off for 5W4, but can be turned on in the Infotainment menu.
<b>WI-FI HOTSPOT</b>	Available Wi-Fi <sup>®</sup> hotspot can connect up to 7 devices; includes data trial for 1 month or 3GB (whichever comes first). Requires properly equipped vehicle. Service varies with conditions and location. Requires active service plan. Data plans provided by AT&T, availability subject to change. Visit <a href="http://www.gmfleet.com/technology/connected-vehicle.html">www.gmfleet.com/technology/connected-vehicle.html</a> for details and limitations.
<b>FLEET CONNECTED ACCESS</b>	Fleet Connected Access with 10 years of standard connectivity which enables services such as, Vehicle Diagnostics, Dealer Maintenance Notification, Chevrolet Smart Driver, Marketplace and more. Limitations apply. Not transferable. Standard connectivity available to original purchaser for ten years from the date of initial vehicle purchase for model year 2025 or newer Chevrolet vehicles. See <a href="http://www.gmfleet.com/technology/connected-vehicle.html">www.gmfleet.com/technology/connected-vehicle.html</a> for details and further plan limitations. Connected Access does not include emergency or security services. Availability and additional services enabled by Connected Access are subject to change.
<b>COMPASS</b>	Displayed on speedometer cluster (see Picture on Speedometer/Cluster page).
<b>CONSOLE, OVERHEAD</b>	Includes map lights, OnStar buttons and Passenger air bag indicator.
<b>CRUISE CONTROL</b>	Electronic with set and resume speed.
<b>DOOR LOCKS</b>	Rear Child Security, manual; Front power programmable with lockout protection. Auto Lockout is disabled on driver door.
<b>DRIVER INFORMATION CENTER</b>	11" diagonal multi-color digital display,
<b>FLOOR COVERING</b>	Black rubberized vinyl. Deleted when (B30) floor covering is ordered.
<b>HD SURROUND VISION</b>	With Birds Eye View. includes instant ON hard button, left of steering wheel.
<b>KEYLESS OPEN</b>	Keyless Open allows you to lock and unlock the vehicle using the driver door or front passenger door handle without taking the Remote Key out your pocket. Keyless open, with the Remote Key in your possession, locks and unlocks your vehicle's doors without having to use the Remote Key, increasing convenience. If the Remote Key battery is depleted or due to wireless interference, vehicle may be unlocked using the mechanical key. See Owners Manual for details
<b>KEYLESS START</b>	Keyless Start allows you to start the vehicle when the Remote Key is inside the vehicle at the front seats and without taking the Remote Key out of your pocket. Keyless start uses an integrated Remote Key sensor instead of a traditional key. If the Remote Key battery is depleted or due to wireless interference, vehicle may also be started by resting the Remote Key on top of the start button. See Owners Manual for details.
<b>GLASS</b>	Deep-tinted, all windows (except for windshield, and front doors side glass which are light-tinted). Windshield: >70% visible light transmittance; Front Doors: >70% visible light transmittance (UV is reduced to 35% or less); Rear Doors and Cargo Area: 12% +/- 3% visible light transmittance. Non-tinted, solar absorbing glass available (see option AKP).
<b>GLOVE BOX</b>	Locking door, includes courtesy light.
<b>REAR VISION CAMERA<sup>4</sup></b>	Provides driver a high-resolution digital image of the area directly behind the vehicle when in Reverse at low speeds.
<b>INSTRUMENTATION</b>	Certified 140 mph speedometer, odometer with trip odometer, engine hour meter, engine idle meter, fuel level, voltmeter, engine temperature, oil pressure and tachometer.
<b>LIGHTING</b>	Interior dome lights, cargo lights, under front seat courtesy lighting with map lights in front and second seat positions, driver control switch in roof console. Remote Keyless Entry or door handle activated illuminated entry.
<b>REAR VIEW MIRROR</b>	HD Rear Vision Camera. Includes Rear Camera Mirror Washer. Rear Camera Mirror allows user to choose between a traditional rear view mirror or a camera view unobstructed by the vehicle's pillars, trunk, roof, head restraints, rear-seat occupants and other interior aftermarket police equipment.
<b>MICROPHONE, WIRING</b>	Provision located above headliner over driver position for customer supplied microphone and department radio.
<b>OnStar<sup>®</sup></b>	OnStar and Chevrolet connected services capable. Terms and limitations apply. See <a href="http://onstar.com">onstar.com</a> or dealer for details.

**1.** Always use seat belts and child restraints. Children are safer when properly secured in a rear seat in the appropriate child restraint. See the Owner's Manual for more information. **2.** Vehicle user interface is a product of Apple and its terms and privacy statements apply. Requires compatible iPhone and data plan rates apply. Apple CarPlay is a trademark of Apple Inc. Siri, iPhone and iTunes are trademarks of Apple Inc., registered in the U.S. and other countries. Vehicle user interface is a product of Google and its terms and privacy statements apply. Requires the Android Auto app on Google Play and an Android compatible smartphone running Android 5.0 Lollipop or higher. Data plan rates apply. Android Auto is a trademark of Google LLC. **3.** Go to [mychevrolet.com/learn](http://mychevrolet.com/learn) to find out which Bluetooth phones are compatible with the vehicle. **4.** Safety or driver assistance features are no substitute for the driver's responsibility to operate the vehicle in a safe manner. The driver should remain attentive to traffic, surroundings and road conditions at all times. Visibility, weather, and road conditions may affect feature performance. Read the vehicle's owner's manual for more important feature limitations and information.

## STANDARD 5W4 INTERIOR FEATURES (CONTINUED)

<b>FLEET REMOTE ACCESS</b>	3 Years of OnStar Remote Access. The OnStar Remote Access Plan gives you simplified remote control of your properly equipped vehicle and unlocks a variety of great features in your myChevrolet mobile app. See dealer for details. Deleted when (UDA) vehicle deactivated communication system is ordered. OnStar Remote Access Plan does not include emergency or security services. Fleet customers will get Fleet Remote Access through OnStar Vehicle Insights. See onstar.com for details and limitations. Available on select Apple and Android devices. Service availability, features and functionality vary by vehicle, device, and the plan you are enrolled in. Terms apply. Device data connection required.
<b>OUTSIDE TEMPERATURE</b>	Displays in top left corner of Driver Information Center and lower right corner of Infotainment screen.
<b>PASSENGER COMPARTMENT AIR FILTER</b>	The filter reduces the dust, pollen, and other airborne irritants from outside air that is pulled into the vehicle. This filter is located behind the passenger side glove box.
<b>REAR PARK ASSIST<sup>1</sup></b>	Sensors for audible warning on front and rear bumper to assist with parking.
<b>POWER OUTLETS</b>	Two, 120-volt, located on the rear of the center seat and rear cargo area.
<b>PROTECTED IDLE</b>	Allows vehicle engine to remain idling and vehicle immobilized while REMOTE KEY is outside vehicle.
<b>REAR CAMERA MIRROR<sup>1</sup></b>	Inside rearview auto-dimming with full camera display. Includes (CWA) Rear Camera Mirror Washer. Not available with PQA Safety Package
<b>REAR PEDESTRIAN ALERT</b>	The Rear Pedestrian Alert is designed to alert you of pedestrians behind your vehicle. When you're in Reverse, Rear Pedestrian Alert can alert you to detected pedestrians directly behind your vehicle. Rear Pedestrian Alert has limited night-time and low visibility performance.
<b>REMOTE KEY</b>	2 programmed remote REMOTE KEYS with mechanical key for ignition. See Available Options page for fleet key ordering codes (6E2)/(6E8).
<b>REMOTE KEYLESS ENTRY PACKAGE</b>	Package includes 4 additional remote REMOTE KEYS with mechanical keys. Remote keys are not programmed. While an unlimited number of remote keys can operate Keyless Start and Keyless Open, for a particular vehicle, only the last 8 remote keys learned will allow the remote key buttons to work. Remote key must be programmed together by the customer or a dealer at customer expense. See programming instructions on Optional Equipment page. Remote key programming is not a warranty item.
<b>RESTRAINT SYSTEM<sup>2</sup></b>	Seat belts at all designated seating positions with driver and front outboard passenger pretensioners. Frontal airbags for driver and front outboard passenger includes front outboard Passenger Sensing System. Seat-mounted side-impact airbags for driver and front outboard passenger. Head Curtain airbags for all rows at all outboard seating positions. Note: Nine inch seatbelt extenders are available (part number 19259268) through dealer at no charge.
<b>SAFETY PACKAGE<sup>1</sup></b>	Includes (UEU) Forward Collision Alert, (UHX) Lane Keep Assist with Lane Departure Warning, (UKI) Blind Zone Steering Assist, (UHY) Automatic Emergency Braking, (UFB) Rear Cross Traffic Braking, (UKT) Front Pedestrian and Bicyclist Braking, (CTB) Intersection Automatic Emergency Braking, (UOW) Side Bicyclist Alert, (UE4) Following Distance Indicator, (DRZ) Rear Camera Mirror and (TQ5) IntelliBeam headlamps.
<b>SEAT</b>	(5T5) Front cloth with vinyl rear seat (see front seats and interior trim illustration page for description)
<b>SEATS, FRONT</b>	Cloth 40/20/20 individual seats. 3 passengers with 8-way power driver seat and 6-way power passenger seat. Includes 2-way lumbar.
<b>SEATS, REAR</b>	Vinyl split-folding 60/40 bench seats includes folding center armrest with cup holders, outboard seating position headrests and reclining rear seat back. 3rd row seats not available.
<b>SIRIUS XM</b>	Deleted
<b>STEERING COLUMN</b>	Manual tilt and telescopic. Electrical lock.
<b>STEERING WHEEL CONTROLS</b>	The steering wheel includes control buttons for Cruise Control and Forward Collision Alert following gap button (if equipped), Driver Information Center and the Vehicle Radio. The two-position Radio Favorites up/down buttons on the left backside of the steering wheel have been re-purposed for operating customer furnished equipment, i.e., push-to-talk microphone, emergency warning devices, etc. The re-purposed Radio Favorites button no longer permits the selection of the radio broadcast stations.
<b>TEEN DRIVER</b>	A configurable feature that lets you activate customizable vehicle settings associated with a REMOTE KEY, to help encourage safe driving behavior. It can limit certain available vehicle features, and it prevents certain safety systems from being turned off. An in-vehicle report card gives you information on driving habits and helps you to continue to coach your new driver.
<b>THEFT DETERRENT SYSTEM</b>	PASS-Key III content, electrical, unauthorized entry.
<b>USB CHARGING PORTS</b>	Charge and data, located inside center console. 2 type-A and C, charge and data, located on front console. 2 type-C, charge-only, located in third row.
<b>VISORS</b>	Driver and front passenger illuminated vanity mirrors, sliding
<b>WARNING TONES</b>	Headlamp on, key-in-ignition, driver and right-front passenger seat belt unfasten, backup sensor with warning tone and turn signal on
<b>WI-FI</b>	Wi-Fi Hotspot capable. Requires OnStar. Deleted when (UDA) OnStar Deactivation is ordered. Terms and limitations apply. See onstar.com or dealer for details.
<b>WINDOWS, POWER</b>	Power driver and passenger with Express-Up/Down. Power with rear Express-Down

1. Safety or driver assistance features are no substitute for the driver's responsibility to operate the vehicle in a safe manner. The driver should remain attentive to traffic, surroundings and road conditions at all times. Visibility, weather, and road conditions may affect feature performance. Read the vehicle's owner's manual for more important feature limitations and information.
2. Always use seat belts and child restraints. Children are safer when properly secured in a rear seat in the appropriate child restraint. See the Owner's Manual for more information.

## STANDARD 5W4 EXTERIOR FEATURES

<b>ASSIST STEPS</b>	Black, mounted between front and rear wheels
<b>BODY SIDE MOLDINGS</b>	Not available
<b>CAPLESS FUEL FILL</b>	The vehicle has a capless refueling system and does not have a fuel cap. The filling nozzle must be fully inserted and latched prior to starting fuel flow. NOTE: Overfilling the fuel tank by more than three clicks of a standard fill nozzle may cause vehicle performance issues, including engine stalling and damage to the fuel system, fuel spills, potential fuel fires
<b>DEFOGGER</b>	Electric, rear window
<b>DOOR HANDLES</b>	Body color
<b>DOOR LOCKS</b>	Door locks can be programmed via radio settings menu. Lock cylinder is only available on driver door. Other side doors and lift gate are controlled by driver door-mounted switches. Includes 2 remote transmitters. See also LOCKOUT PROTECTION.
<b>FASCIA, FRONT</b>	Front high-approach angle with recovery hook openings, but does not include hooks. See Option (V76) for recovery hooks.
<b>FLASHER SYSTEM</b>	Headlamp and taillamp, DRL compatible with individual control wires. Includes SEO (5J9) taillamp flasher calibration, Red/White and SEO (5LO) taillamp flasher calibration, Red/Red. See headlamp circuit 8863 and taillamp circuits 8864 & 8865 in wiring schematic.
<b>FOG LAMPS</b>	Not available
<b>HEADLAMPS</b>	LED Reflector high and low beam with flash-to-pass feature, automatic exterior lamp control and daytime running lamps. Daytime running lamps use reduced low-beam intensity. Altering headlamp assembly is not recommended, General Motors is not responsible for the effects of any modifications.
<b>HORNS</b>	Dual note
<b>LUGGAGE RACK</b>	Deleted as Standard. (V54) Optional Luggage Rack Side Rails available.
<b>MIRRORS, OUTSIDE</b>	Outside heated power-adjustable, manual-folding, body-color
<b>RADIO ANTENNA</b>	Located inside liftgate spoiler
<b>REAR LIFTGATE</b>	Manual gate and hinged glass hatch. Unlock buttons located on exterior and remote REMOTE KEY. Unique police programming only allows unlocking with the REMOTE KEY or interior courtesy switch.
<b>TIRES</b>	All-season 265/65R18SL blackwall (see optional equipment page for additional tire and wheel options)
<b>TIRE PRESSURE MONITOR</b>	Tire Pressure Monitoring System. Includes Tire Fill Alert feature in addition to the DIC warning when a tire has low pressure. This feature provides audible and visual indication when air is being added to the low tire to aid in achieving optimal tire pressure. Spare tire pressure is NOT monitored.
<b>TIRE, SPARE</b>	Full-size P265/70R17 all-season, blackwall spare with unprogrammed TPM, lockable with outside winch-type carrier mounted under frame at rear. Includes Steel 20"x9" wheels.
<b>UNDER HOOD LAMP</b>	Not available
<b>WHEELS</b>	18" x 8.5" Bright Silver painted aluminum
<b>WINDSHIELD</b>	Solar absorbing shaded upper with acoustic laminated glass
<b>WIPERS, WINDSHIELD</b>	Intermittent, with rain sensing
<b>WIPER, REAR</b>	Intermittent with washer

## STANDARD 5W4 ELECTRICAL FEATURES

<b>AUXILIARY POWER, FRONT</b>	Wiring connection from circuits in upfitter branch harness between front seats. Two relays, rated at 20 amp load, and one 50 amp auxiliary battery circuit for connection and control by customer. The relay coil fusing can be configured to operate the pair of relays via battery power or ignition controlled power. See the Upfit Circuits List and Wiring diagrams for 50E FUSE BLOCK AUXILIARY BATTERY and X5I JUNCTION BLOCK INSTRUMENT PANEL AUXILIARY.
<b>AUXILIARY POWER, REAR</b>	Wiring connection from circuits in upfitter branch harness at left side of cargo area. Two relays, rated at 20 amp load, and one 100 amp auxiliary battery circuit for connection and control by customer. The relay coil fusing can be configured to operate the pair of relays via battery power or ignition controlled power. See the Upfit Circuits List and Wiring diagrams for 50E FUSE BLOCK AUXILIARY BATTERY and X5I JUNCTION BLOCK INSTRUMENT PANEL AUXILIARY.
<b>LOCK-OUT PROTECTION</b>	When a key is in the vehicle and the driver door is open with the ignition ON or ACC, an audible alarm will sound. If the doors are locked and closed, the driver door will not unlock. The engine will remain running if ON. When the ignition is OFF and the last door is closed and there is a key in the front seat area of the vehicle, the driver door will unlock. See also the PROTECTED IDLE procedure in the Standard Equipment section of this document.
<b>SURVEILLANCE FEATURE</b>	Body Control Module (BCM) calibration to disable all automatic lighting. See UPFIT WIRING CIRCUITS LIST.
<b>UNIVERSAL VEHICLE MODULE</b>	Provides CAN Readability of selected messages utilizing SAE J1939 formatting. This gateway module offers 10-switchable inputs and outputs, and includes a GUI (Graphical User Interface) available to customize the UVM to specific needs.
<b>UPFITTER WIRING PROVISIONS</b>	Upfitter wiring circuits are provided in two branch harnesses to centralize upfitter connections to vehicle systems. One branch is coiled between the front seats, the second is coiled on the left side cargo area floor to the rear of the auxiliary battery. Each upfitter branch harness contains blunt-cut wires which are tagged with circuit numbers. The numbered tags are listed in the UPFIT WIRING HARNESS CIRCUIT IDENTIFICATION list provided in this Specification Guide.
<b>WIRING DIAGRAMS</b>	See Wiring Section for description.
<b>WIRING PROVISION FOR EMERGENCY LIGHTING</b>	Blunt-cut wire harnesses in front doors and above rear headliner near lift gate for connection to customer outside mirror and rear window emergency lamps.



## STANDARD 5W4 MECHANICAL FEATURES

<b>ACTIVE HILL HOLD ASSIST</b>	This feature is designed to prevent the vehicle from rolling, either forward or rearward, during vehicle drive off.
<b>AIR FILTER</b>	High-capacity
<b>ALTERNATOR</b>	250 amps
<b>AXLE</b>	3.23 Ratio
<b>BATTERIES</b>	Primary 900 cca, 95 amp-hour rating with battery rundown protection (may be configured to protect customer installed equipment packaged behind left rear cargo area panel). Isolated, Auxiliary 760 cca, 70 amp-hour battery without battery run-down protection for customer installed equipment. (see SPECIFICATIONS PAGE)
<b>BATTERY RELAY</b>	Auxiliary battery relay connects auxiliary battery to charging system when engine is running.
<b>BRAKES</b>	4-wheel antilock, 4-wheel disc, 13.5" front and rear
<b>COOLING</b>	Heavy-duty high-capacity radiator, electric fans and extended life coolant; coolant hoses are EPDM (ethylene-propylene-diene monomer) rubber; silicone hoses are not required (coolant is DEX-COOL good for 5 years/150,000 miles, protects from -34° F to +265° F and against rust and corrosion)
<b>ENGINE</b>	5.3L V8 VVT (variable valve timing), Direct high-pressure fuel injection with Dynamic Fuel Management (DFM) that allows engine to operate in 17 different cylinder patterns (as few as two cylinders) to optimize power delivery and efficiency. The DFM controller calculates 80 times per second to determine how many cylinders are required to meet the driver's requested torque. (see powertrain page for description and emissions, see also specifications page)
<b>ENGINE OIL COOLER</b>	Engine Oil is cooled by passing the fluid through a cooler located in the engine radiator assembly end tank. Engine oil is pumped by the engine oil pump from the driver side of the engine block through piping to an oil-to-coolant heat exchanger located within the passenger side end-tank of the coolant radiator and returned to engine.
<b>EXHAUST</b>	Single system, single-outlet
<b>FRAME</b>	All new fully boxed steel frame with high strength steel roll formed, hydroformed and stamped rails, design optimized for safety and crashworthiness, durability and stiffness.
<b>FILTRATION MONITOR</b>	Engine air filtration monitor
<b>FUEL TANK CAPACITY</b>	24 gallons (90.8 liters)
<b>JACK</b>	Mechanical jack with tools
<b>PROP SHAFT</b>	4 inch diameter aluminum
<b>RADIO SUPPRESSION</b>	The Tahoe vehicle systems are designed to prevent unwanted emissions and to minimize susceptibility and maximize immunity to external emissions (Electromagnetic (EMI) or Radio Frequency (RFI) Interference). Most emergency vehicle communications equipment operating at frequencies in the VHF Band (30-300 MHz) and up to frequencies in the UHF Band (300 MHz-3GHz) will function as intended without enhanced noise suppression. If additional noise suppression grounding is desired, see the Optional Equipment listing for UN9, Radio Suppression Ground Straps
<b>REAR DIFFERENTIAL</b>	Performance-optimized heavy-duty clutch-type limited slip
<b>SKID PLATES, FRONT</b>	Two-piece, heavy-duty aluminum front underbody shield that starts behind the front bumper and attaches to the front fascia. It protects front underbody components and oil pan.
<b>SPARK PLUGS</b>	Extended life - iridium tip
<b>STABILITY CONTROL</b>	StabiliTrak/ESC activates when the vehicle senses a difference between the intended path and the direction the vehicle is actually traveling. StabiliTrak/ESC selectively applies braking pressure to any one of the vehicle wheel brakes to assist the driver in keeping the vehicle on the intended path.
<b>STEERING</b>	The Electric Power Steering System consists of a Rack-and-Pinion steering gear assisted by an electronically controlled power steering motor and drive assembly. The steering gear is mechanically connected to the steering wheel system.
<b>SUSPENSION</b>	Full independent suspension with premium smooth ride
<b>TRAILERING EQUIPMENT<sup>1</sup></b>	SAE Class IV hitch. Trailer may weigh up to 7,700 pounds with proper hitch selection. See the Owners Manual for additional information
<b>TRANSFER CASE</b>	Active, single-speed, electronic Autotrac, does not include neutral. Cannot be dinghy towed.
<b>TRANSMISSION</b>	The 10-speed automatic provides gear ratios that work to improve both fuel economy and acceleration, while also enabling quicker-smoother shifts. Intelligent electronics provide protection against over-revving the engine and can recognize driver intent, whereby holding gears longer when being driven aggressively. This enhances vehicle control while driving through corners and when throttling up at corner exit. Keeping the transmission in one gear instead of upshifting and downshifting avoids "hunting" for a gear state.
<b>TRANSMISSION OIL COOLER</b>	Transmission oil is pumped from the transmission through piping to an oil-to-air heat exchanger and then returns to the transmission. The transmission oil cooler is located in front of the air conditioning condenser as part of the Condenser, Radiator, and Fan Module (CRFM) assembly.

<sup>1</sup> Before you buy a vehicle or use it for trailering, carefully review the Trailering section of the Owner's Manual. The weight of passengers, cargo and options or accessories may reduce the amount you can tow.

## POWERTRAIN

ENGINE				TRANSMISSION		AXLE	
OPTION CODE	TYPE	DISPLACEMENT SYSTEM	FUEL CODE	OPTION CODE	TYPE	OPTION	RATIO
L84	V8	5.3/325	VVT, DI, Dynamic Fuel Management	MHU	10L80 10-Speed auto. with OD	GU5	3.23

## EMISSIONS - MUST BE SPECIFIED

<b>FE9</b>	<b>Emissions</b> , Federal requirements
<b>YF5</b>	<b>Emissions</b> , California state requirements
<b>NE1</b>	<b>Emissions</b> , Connecticut, Delaware, Maine, Maryland, Massachusetts, New Jersey, New York, Oregon, Pennsylvania, Rhode Island, Vermont and Washington state requirements
<b>NB8</b>	<b>Emissions override</b> , California (allows a dealer in states that require California emissions - California, Connecticut, Delaware, Maryland, Massachusetts, New Jersey, New York, Oregon, Pennsylvania, Rhode Island or Washington - to order Federal emissions for a vehicle that will be registered in a state that has Federal emission requirements). Do not use for vehicles that will be registered in California, Connecticut, Delaware, Maryland, Massachusetts, New Jersey, New York, Oregon, Pennsylvania, Rhode Island or Washington. Requires (FE9) Federal emissions requirements. Not available in Maine or Vermont.
<b>NB9</b>	<b>Emissions override</b> , state-specific (for dealers ordering vehicles in (YF5) or (NE1) emission states - California, Connecticut, Delaware, Maine, Maryland, Massachusetts, New Jersey, New York, Oregon, Pennsylvania, Rhode Island, Vermont and Washington) Allows a California dealer (YF5 emissions) to order (NE1) emissions with (NB9) emissions override code for registration in (NE1) states; or, a Connecticut, Delaware, Maine, Massachusetts, New Jersey, New York, Oregon, Pennsylvania, Rhode Island, Vermont and Washington dealer (NE1 emissions) to order (YF5) emissions with (NB9) emissions override code for registration in California.
<b>NC7</b>	<b>Emissions override</b> , Federal (for vehicles ordered by dealers in Federal emission states with (YF5) or (NE1) emissions - Not required for vehicles being shipped to California, Connecticut, Delaware, Maine, Maryland, Massachusetts, New Jersey, New York, Oregon, Pennsylvania, Rhode Island, Vermont or Washington) Requires (YF5) California state emissions requirements or (NE1) Connecticut, Delaware, Maine, Massachusetts, New Jersey, New York, Pennsylvania, Rhode Island or Vermont state emission requirements.

NOTE: The 2025 Chevrolet Tahoe Police Patrol Vehicle and Special Service Vehicle with the 5.3L Engine (L84) with Emission Option Codes:  
 FE9 NAME CERTIFICATION EMISSION, FEDERAL  
 NE1 NAME CERTIFICATION EMISSION, GEOGRAPHICALLY RESTRICTED  
 YF5 NAME CERTIFICATION EMISSION, CALIFORNIA is certified to EPA Tier 3 BIN 70 standards and qualifies as ULEV 70 (Ultra Low Emission Vehicle) under California Air Resources Board (CARB) requirements, meaning it is 50-state certified.  
 EPA engine family or test group: MGMXT05.3388

## TIRES

MANUFACTURER	QUANTITY	SIZE	SPEED RATING	TYPE
Random	4	265/65R18SL	S	All season BW

### NOTE:

**Due to specific requirements for performance durability and safety, GM recommends only the original equipment tires for replacement.**

**Tire Chains** - If the vehicle has 275/60R20 do not use tire chains. There is not enough clearance. Tire chains used on a vehicle without the proper amount of clearance can cause damage to the brakes, suspension, or other vehicle parts. The area damaged by the tire chains could cause loss of control and a crash. Use another type of traction device only if its manufacturer recommends it for the vehicle's tire size combination and road conditions. Follow that manufacturer's instructions. To avoid vehicle damage, drive slow and readjust or remove the traction device if it is contacting the vehicle. Do not spin the wheels. If traction devices are used, install them on the rear tires.

## 5.3 LITER V8 ENGINE WITH DYNAMIC FUEL MANAGEMENT



Dynamic Fuel Management allows engine to operate in 17 different cylinder patterns (as few as two cylinders) to optimize power delivery and efficiency. The DFM controller calculates 80 times per second to determine how many cylinders are required to meet the driver's requested torque.

## STANDARD HEAVY-DUTY STEEL WHEEL WITH FIRESTONE FIREHAWK PURSUIT TIRE



Firestone Firehawk Pursuit 275/55R20 all-season, V-rated, blackwall. Includes matching spare tire

## SPECIFICATIONS

<b>4-WHEEL DRIVE</b>	
Model	CK10706
Drive	4-wheel
Projected top speed <sup>1</sup> (without equipment)	112 mph
Projected top speed in reverse (without equipment)	23 mph
<b>EPA-ESTIMATED MPG FUEL ECONOMY RATINGS</b>	
5.3L engine 4X4 (City/Highway/Combined)	TBD
<b>VEHICLE WEIGHT (LBS./KG.)</b>	
Front Seat Type	40/40
GVWR <sup>3</sup> (Gross Vehicle Weight Rating)	7500/3402
FGAWR (Front Gross Vehicle Weight Rating)	3700/1678
RGAWR (Rear Gross Vehicle Weight Rating)	4300/1950
Payload <sup>4</sup>	1745/792
Base curb weight	5598/2539
Maximum Trailering Capacity <sup>5</sup>	7700/3493

**PASSENGER COMPARTMENT****VOLUME INDEX (cu.ft./liters)**

Passenger compartment volume index	123.2/3489
------------------------------------	------------

**FRONT COMPARTMENT (in./mm)**

Head room (Maximum)	42.3/1074
Shoulder room	66.0/1677
Hip room	61.5/1562
Leg room	44.5/1131

**REAR COMPARTMENT (in./mm)**

Head room	38.9/988
Shoulder room	65.6/1666
Hip room	61.3/1557
Leg room	42.0/1068

**CARGO**

Load floor length to center of front seat at floor (in./mm)	80.1/2034
Load floor length to center of 2nd seat at floor at seat (in./mm)	58.1/1475
Inside width between wheelhouse (in./mm)	49.4/1255
Cargo area height (in./mm)	36.5/927
Cargo volume <sup>2</sup> maximum behind front seat (cu. ft./liters)	125.9/3565
Cargo volume <sup>2</sup> maximum behind second seat (cu. ft./liters)	70.3/1991

**EXTERIOR (in./mm)**

Wheelbase	120.9/3071
Overall length	210.7/5351
Body width (with Mirrors)	81.0/2058
Overall height <sup>6</sup> (Maximum)	76.6/1947
Lift in height <sup>6</sup> (Top of load floor to ground [max])	35.7/907
Step-in height (max)	23.9/606
Front track width	68.5/1741
Rear track width	68.3/1734
Turning diameter curb to curb with 18" wheels (ft./m)	38.1/11.6
Turning diameter curb to curb with 20" wheels (ft./m)	39.4/12.0
Approach angle	30.3 deg
Departure angle	19.5 deg
Breakover angle	17.0 deg
Ground Clearance	8.4/214
Fording depth	20.0/508

**1.** Adding non dealer accessories or making modifications to the vehicle can affect vehicle performance, aerodynamics, and overall top speed. **2.** Cargo and load capacity limited by weight and distribution. **3.** Gross Vehicle Weight Rating (GVWR). When properly equipped, includes vehicle, passengers, cargo and equipment. **4.** These maximum payload ratings are intended for comparison purposes only. Before you buy a vehicle or use it to haul people or cargo, carefully review the vehicle loading section of the Owner's Manual and check the carrying capacity of your specific vehicle on the label on the inside of the driver's door jamb. **5.** Before you buy a vehicle or use it for trailering, carefully review the Trailering section of the Owner's Manual. The weight of passengers, cargo and options or accessories may reduce the amount you can tow. **6.** Published dimension indicated is from ground and without optional equipment or accessories. Additional accessories or equipment ordered at the customer's request can result in a minor change in this dimension.

## SPECIFICATIONS

ENGINE	STANDARD
Type	V8
Displacement: liters/cu. in.	5.3/325
Horsepower/rpm	355 @ 5600
Torque lb.-ft./rpm	383 @ 4100
Induction system	Direct high-pressure fuel injection with Fuel Management
Compression ratio	11.0:1
Exhaust	Single
Minimum recommended fuel octane	87
Approximate fuel tank capacity (gallons/liters)	24/90.8
Oil with filter (quarts/liters)	8.0/7.6
Cooling capacity (quarts/liters)	15.6/14.78

TRANSMISSION	
Automatic electronic with overdrive	10-speed

AXLE	
Ratio	3.23

BRAKES	
eBoost ABS	Disc/Disc
Front-swept area (sq. in./sq. cm)	221.0/1425.8
Rear-swept area (sq. in./sq. cm)	263.7/1701.6
Front rotor diameter (in./mm)	13.5/343
Rear rotor diameter (in./mm)	13.58/345
Front rotor thickness (in./mm)	1.2/30
Rear rotor thickness (in./mm)	.79/20

TIRES	
Type	'S' Rated, all season
Size	265/65R18SL

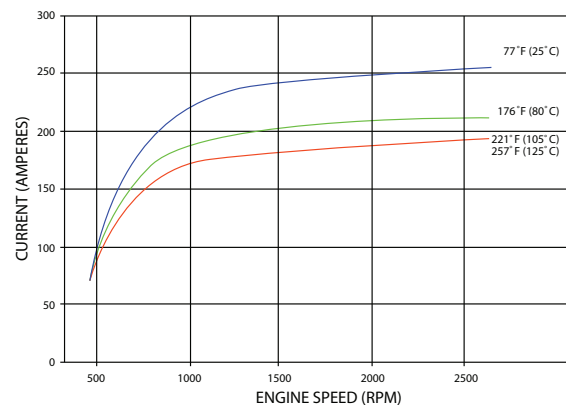
WHEELS	
Type	Bright Silver painted aluminum
Size	18"x 8.5"

CHASSIS	
Frame	Full perimeter steel
Suspension	Full independent suspension with premium smooth ride
Steering type	Electric power-assisted rack and pinion
Steering ratio	16.0:1

BATTERIES	PRIMARY	AUXILIARY
Type	Maintenance free	Maintenance free
BCI group size	LN5	LN3
Volts	12	12
Amp hour rating	95	70
Reserve capacity	160	120
Cold cranking-amps	900	760

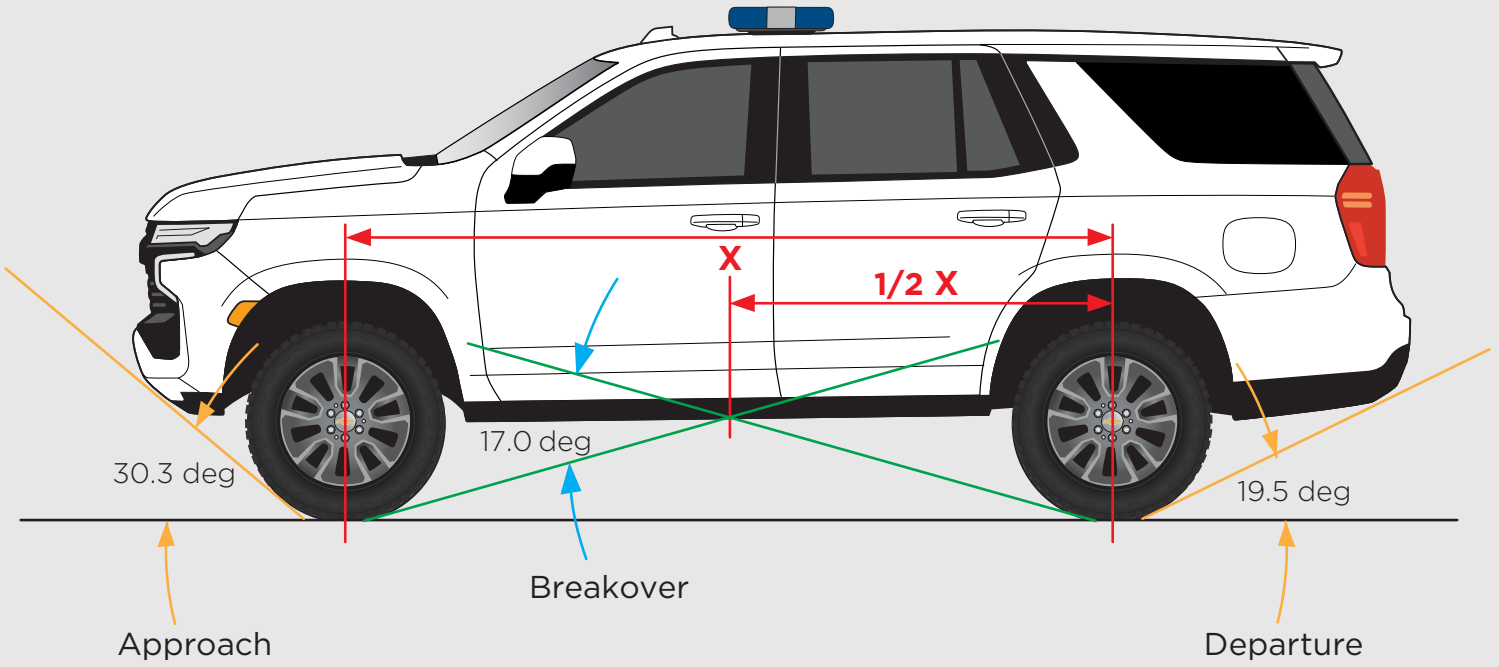
ALTERNATOR	
Type	Melco GX9-L25
Amps	77°F (25°C) 170

### TAHOE 5W4 ALTERNATOR OUTPUT



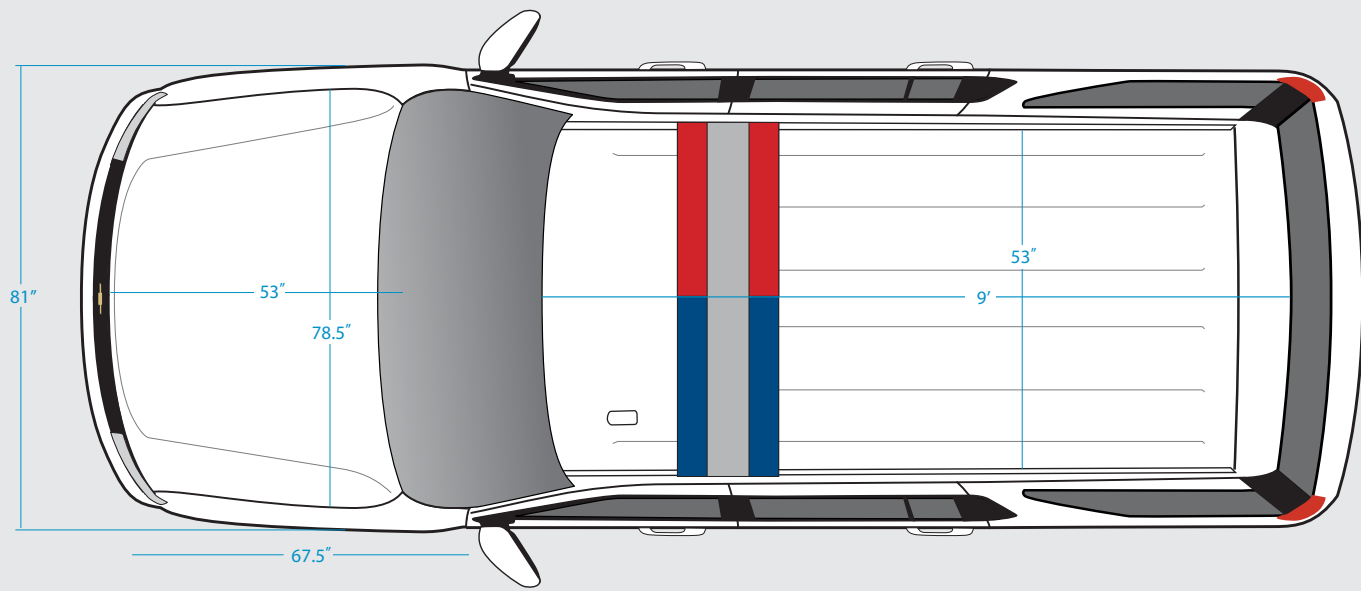
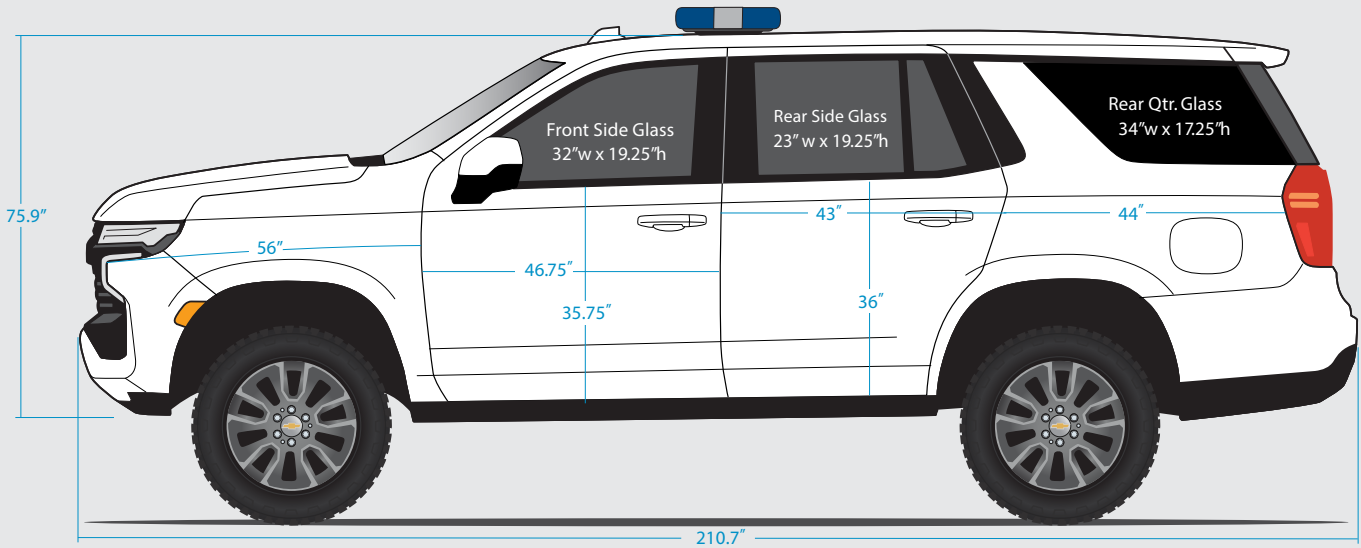
BOOST LEVEL	PARK/NEUTRAL	DRIVE
Normal Idle	550	500
1	800	650
2	800	725
3	1000	800

APPROACH AND DEPARTURE ANGLES



SSV Tahoe	
Approach Angle	30.3 deg
Departure Angle	19.5 deg
Breakover Angle	17.0 deg
Ground Clearance	8.4 in. (214 mm)
Fording Depth	20.0 in (508 mm)

MATERIAL DIMENSIONS FOR BODY WRAP AND GRAPHIC ESTIMATIONS



Estimated material sizes to wrap:

- Hood - 79" x 54"
- Front Doors - 48" x 37"
- Rear Doors - 45" x 38"
- Roof - 110" x 55"
- Rear hatch - 63" x 27"



# UNITED STATES CERTIFIED SPEEDOMETER/CLUSTER (CANADIAN SIMILAR)



**DIC MAIN MENU**

INFO

AUDIO

PHONE

NAVIGATION

OPTIONS

**ACTIVE INFO PAGES** as listed in **DIC** main menu item **OPTIONS** above

- [Speed](#)
- [Engine Idle Hours](#)
- [Fuel Range](#)
- [Oil Life](#)
- [Tire Pressure](#)
- [Air Filter Life](#)
- [Fuel Economy](#)
- [Engine Hour Idle Meter](#)



**STEERING WHEEL MENU CONTROLS**

**2025 TAHOE PPV  
SPEEDOMETER CERTIFICATION  
CALIBRATION**

To Whom It May Concern:

The speedometer system in the 2025 model year and Police Tahoe vehicle is accurate to +/- 2mph in the temperature range of -23 to 49 °Celsius (-10 to 120 ° Fahrenheit) over the useful life of the vehicle. The speedometer system includes the vehicle integrated speed measurement system and indication of the vehicle speed on the speedometer.

GM specified vehicle maintenance is required to maintain the stated accuracy of the speedometer system. The accuracy of the speedometer system is dependent on and affected by the required vehicle maintenance including; following placard tire inflation pressure of 35 psi, monitoring tire wear as directed by the owner's manual, tire replacement with 275/55 R-20 Firestone tire size and manufacture, maintaining original OEM driveline ratios, maintaining original OEM electronic module calibration files and following vehicle loading limitations.

Regards,

*Sean O'Shea*

**Sean O'Shea**  
Police Vehicle Program Manager



## VEHICLE TOUCH SCREEN SETTINGS



## VEHICLE PERSONALIZATION MENU

**The Personalization Menu is accessed by:**

Touching the radio screen to display the HOME PAGE

Touch the SETTINGS icon and then

Touch VEHICLE to display the features

**Select from the available features listed to change the item setting.**

**Important features in the Menu that can be changed are:**

**AUDIO SETTINGS**

**OCCUPANT LEFT BEHIND REMINDER**

**CLIMATE AND AIR QUALITY**

**COLLISION/DETECTION SYSTEMS**

**COMFORT AND CONVENIENCE**

**LIGHTING**

**POWER DOOR LOCKS**

**REMOTE LOCK, UNLOCK AND START > REMOTE KEY PAIRING**

See the Owner's Manual for a complete Vehicle Personalization Menu listing of items that may be available for your vehicle.

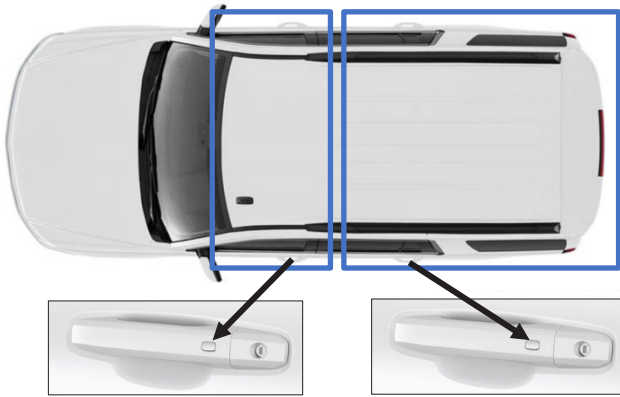
**1.** Does not detect people or items. Always check rear seat before exiting. **2.** Safety or driver assistance features are no substitute for the driver's responsibility to operate the vehicle in a safe manner. The driver should remain attentive to traffic, surroundings and road conditions at all times. Visibility, weather, and road conditions may affect feature performance. Read the vehicle's owner's manual for more important feature limitations and information.

# UNIQUE CLOSURE LOCK/UNLOCK FUNCTION

## OUTSIDE OF VEHICLE LOCK/UNLOCK FUNCTION

### 2<sup>nd</sup> Row Doors and Liftgate only lock/unlock with remote or interior front door courtesy switches:

- Designed to prevent unwanted entry into 2<sup>nd</sup> row or rear cargo areas in hostile crowds
- Side doors and liftgate unlocking handles operate separately



1<sup>st</sup> Row Passive Entry button will only unlock the front row doors

2<sup>nd</sup> Row Passive entry button WILL unlock 2nd Row doors if Remote is present.

The 2<sup>nd</sup> row doors and liftgate/glass can only be locked/unlocked with:

1. Remote Lock/Unlock button.

2. Front row interior courtesy switch Lock/Unlock buttons



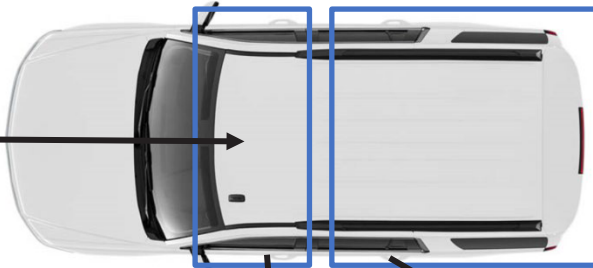
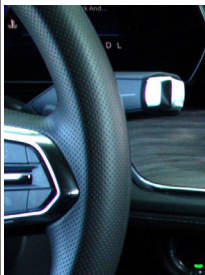
New for 25MY, 2nd Row Passive entry button WILL unlock 2nd Row doors if Remote is present.

## INSIDE OF VEHICLE LOCK/UNLOCK FUNCTION

### The ETRS (shifter) door locking/unlocking function:

- Shift out of Park locks all doors and liftgate/glass
- Shift into Park unlocks front row doors and rear doors

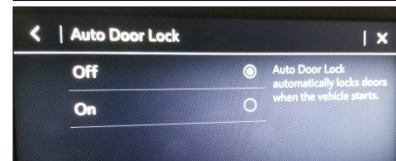
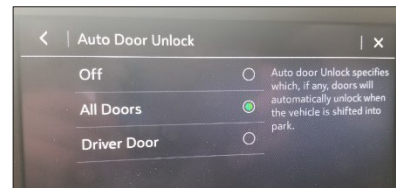
Customizable in infotainment center, however this it will not unlock 2<sup>nd</sup> row doors or liftgate



1<sup>st</sup> Row Doors interior courtesy switch locks/unlocks all the doors and liftgate/glass



2<sup>nd</sup> Row Door courtesy switches have no function



Note default auto door locking is turned off

## OTHER UNLOCKING COMMANDS

- OnStar unlocking commands unlocks all doors and liftgate/glass
- Collision detection unlocks all doors and liftgate/glass

**Note:** Option BCN will provide retail Tahoe Lock/Unlock function of exterior and interior closures for customers who don't prefer the above functions. This includes deactivating Option 6N5 (2<sup>nd</sup> row power window lockout). If 6N6 is present it is recommended that the interior door handles are reconnected. The lock out protection only detects the Remote Key in the interior front row and not in the 2<sup>nd</sup> row or cargo areas.

# STANDARD SAFETY PACKAGE

PQA

INCLUDES THE FOLLOWING FEATURES

UEU

## FORWARD COLLISION ALERT



The Forward Collision Alert (FCA) system may help to avoid or reduce the harm caused by front-end crashes with vehicle being followed. When approaching a vehicle ahead too quickly, FCA provides a red flashing alert on the windshield and rapidly beeps. FCA also lights an amber visual alert if following another vehicle much too closely. FCA detects vehicles within a distance of approximately 60m (197 ft) and operates at speeds above 8 km/h (5 mph).

**Warning** FCA is a warning system and does not apply the brakes. When approaching a slower-moving or stopped vehicle ahead too rapidly, or when following a vehicle too closely, FCA may not provide a warning with enough time to help avoid a crash. It also may not provide any warning at all. FCA does not warn of pedestrians, animals, signs, guardrails, bridges, construction barrels, or other objects. Be ready to take action and apply the brakes. FCA can be disabled with either the FCA steering wheel control or, if equipped, through vehicle personalization.

**Detecting the Vehicle Ahead** FCA warnings will not occur unless the FCA system detects a vehicle ahead. When a vehicle is detected, the vehicle ahead indicator will display green. Vehicles may not be detected on curves, highway exit ramps, or hills, due to poor visibility; or if a vehicle ahead is partially blocked by pedestrians or other objects. FCA will not detect another vehicle ahead until it is completely in the driving lane.

**FCA** does not provide a warning to help avoid a crash, unless it detects a vehicle. FCA may not detect a vehicle ahead if the FCA sensor is blocked by dirt, snow, or ice, or if the windshield is damaged. It may also not detect a vehicle on winding or hilly roads, or in conditions that can limit visibility such as fog, rain, or snow, or if the headlamps or windshield are not cleaned or in proper condition. Keep the windshield, headlamps, and FCA sensors clean and in good repair.

UHY

## AUTOMATIC EMERGENCY BRAKING

The brakes may be applied automatically in potential collision situations to help reduce damage or help avoid collisions with vehicles directly ahead.

When the system detects a vehicle ahead in your path that is traveling in the same direction that you may be about to crash into, it can provide a boost to braking or automatically brake the vehicle. This can help avoid or lessen the severity of crashes when driving in a forward gear. Depending on the situation, the vehicle may automatically brake moderately or hard. This forward automatic braking can only occur if a vehicle is detected. This is shown by the Forward Collision Alert.

To set the Automatic Emergency Braking and Forward Collision Alert systems to Alert and Brake, Alert, or Off, go to **Settings > Vehicle > Collision/ Detection Systems > Forward Collision System**.

UKM

## ENHANCED LANE KEEP ASSIST WITH LANE DEPARTURE WARNING

Lane Keep Assist (LKA) may help avoid crashes due to unintentional lane departures. It may also provide a Lane Departure Warning (LDW) system alert as the lane marking is crossed. The LKA system will not assist or provide an LDW alert if it detects that you are actively leaving your lane. Override LKA by turning the steering wheel. LKA uses a camera to detect lane markings between 60 km/h (37 mph) and 180 km/h (112 mph).

**How the System Works** The LKA camera sensor is on the Windshield. To turn LKA on and off, press to the left of the steering wheel. When on, is green if LKA is available to assist and provide LDW alerts. It may assist by gently turning the steering wheel and display as amber if the vehicle approaches a detected lane marking without using a turn signal in that direction. It may also provide an LDW alert by flashing amber as the lane marking is crossed. Additionally, there may be three beeps.

**Take Steering** The LKA system does not continuously steer the vehicle. If LKA does not detect active driver steering, an alert, chime, or DIC message may be provided. Steer the vehicle to dismiss.

UKT

## FRONT PEDESTRIAN AND BICYCLIST BRAKING

Alerts You To Avoid Collisions With Pedestrians and Bicyclists Ahead And Can Even Use Automatic Emergency Braking.

At speeds between 5 and 50 mph, Front Pedestrian and Bicyclist Braking can help you avoid or reduce the severity of a collision with a pedestrian or bicyclist it detects directly in front of you. It provides alerts and can automatically provide hard emergency braking or enhance the driver's hard braking. It has limited nighttime and low visibility performance.

UOW

## SIDE BICYCLIST ALERT

Warns You When Bicyclists May Be Approaching Your Blind Zone, Even Right After Parking. Side Bicyclist Alert alerts you to a detected bicyclist that is approaching a side blind zone. Also, during a brief time after parking, the feature can alert you when a detected bicyclist is approaching so you don't open your door.

Safety or driver assistance features are no substitute for the driver's responsibility to operate the vehicle in a safe manner. The driver should remain attentive to traffic, surroundings and road conditions at all times. Visibility, weather, and road conditions may affect feature performance. Read the vehicle's owner's manual for more important feature limitations and information.

# STANDARD SAFETY PACKAGE (CONTINUED FROM PREVIOUS PAGE)

<b>UKI</b>	<b>BLIND ZONE STEERING ASSIST</b>
<p>Can Help Alert You Of Potential Crashes When Entering Lanes. Blind Zone Steering Assist can alert you and provide a brief, firm turn of the steering wheel when a potential crash is detected with a moving vehicle in the lane you're entering.</p>	

<b>CTB</b>	<b>INTERSECTION AUTOMATIC EMERGENCY BRAKING</b>
<p>Can Help Avoid Collisions With Detected Vehicles in Cross Traffic Ahead of You Intersection Automatic Emergency Braking can help you avoid or reduce the severity of an intersection collision with a detected cross-traffic vehicle. It provides alerts and can even automatically provide hard emergency braking or enhance the driver's hard braking.</p>	

<b>TQ5</b>	<b>INTELLIBEAM</b>
<p>Automatically Turns High Beams On or Off in Response to Traffic Conditions At speeds above 25 mph, IntelliBeam can automatically turn the vehicle's high beams on and off according to surrounding traffic conditions.</p>	

<b>UKK</b>	<b>REAR PEDESTRIAN ALERT</b>
<p>Designed to Alert You of Pedestrians Behind Your Vehicle When you're in Reverse, Rear Pedestrian Alert can alert you to detected pedestrians directly behind your vehicle. It has limited nighttime and low visibility performance. Rear Pedestrian Alert:</p> <ul style="list-style-type: none"> <li>• When you're in Reverse, alerts you to detected pedestrians directly behind your vehicle</li> <li>• Limited nighttime and low visibility performance.</li> </ul>	

<b>UFB</b>	<b>REAR CROSS TRAFFIC BRAKING</b>
<p>Can Help Avoid Collisions With Cross Traffic Behind Your Vehicle When you're in Reverse, Rear Cross Traffic Braking alerts you and automatically provides hard emergency braking to help prevent a collision with detected vehicles crossing behind you.</p>	

<b>DRZ</b>	<b>REAR CAMERA MIRROR</b>
------------	---------------------------



Inside rearview auto-dimming with full camera display. Includes (CWA) Rear Camera Mirror Washer. On 2WD, included and only available with (PQA) 1FL Safety Package. This automatic dimming mirror provides a wide angle camera view of the area behind the vehicle. Pull the tab to turn on the display. Push the tab to turn it off. When off the mirror is automatic dimming. Adjust the mirror for a clear view of the area behind the vehicle while the display is off.

**WARNING:** The Rear Camera Mirror (RCM) has a limited view. Portions of the road,

Vehicles, and other objects may not be seen. Do not drive or park the vehicle using only this camera. Objects may appear closer than they are. Check the outside mirrors or glance over your shoulder when making lane changes or merging. Failure to use proper care may result in injury, death, or vehicle damage.

The Rear Camera Mirror may not work properly or display a clear image if:

There is glare from the sun or headlamps.

This may obstruct objects from view. If needed, push the tab to turn off the display.

Dirt, snow, or other debris blocks the camera lens. Clean the lens with Rear Camera Washer or a soft damp cloth.

The camera's mounting on the vehicle has been damaged, and/or the position or the mounting angle of the camera has changed.

Safety or driver assistance features are no substitute for the driver's responsibility to operate the vehicle in a safe manner. The driver should remain attentive to traffic, surroundings and road conditions at all times. Visibility, weather, and road conditions may affect feature performance. Read the vehicle's owner's manual for more important feature limitations and information.

Safety or driver assistance features are no substitute for the driver's responsibility to operate the vehicle in a safe manner. The driver should remain attentive to traffic, surroundings and road conditions at all times. Visibility, weather, and road conditions may affect feature performance. Read the vehicle's owner's manual for more important feature limitations and information.

# STANDARD SAFETY FEATURES

## REAR PARK ASSIST

The Park Assist system\* may provide assistance to driver while parking. Park Assist uses ultrasonic sensors in the bumper to measure the distance between the vehicle and objects. The system calculates the distance between vehicle and object via measuring the time it takes for the ultrasonic waves to bounce back from the object. Park Assist works only at speeds up to about 11 Km/h (7 mph). An illuminated indicator light in the parking system is ready to operate. The sensors on the bumpers may detect objects up to 1.8m (6 ft) behind and 1.25m (4 ft) in front of the vehicle within 25 cm (10 in) high off the ground and below bumper level. These detection distances may be shorter during warmer or humid weather. Blocked sensors will not detect objects and can also cause false detections. Keep the sensors clean of mud, dirt, snow, ice and slush. Clean sensors after a wash in freezing temperatures.

\*Safety or driver assistance features are no substitute for the driver's responsibility to operate the vehicle in a safe manner. The driver should remain attentive to traffic, surroundings and road conditions at all times. Visibility, weather, and road conditions may affect feature performance. Read the vehicle's owner's manual for more important feature limitations and information.

## STABILITRAK CONTROL



The StabiliTrak Electronic Stability Control and Traction Control System button is located to the left of the steering column on the instrument panel. See also Ride Control Systems in your Owner's Manual for an operation description of the system and related Driver Information Center messages.

## REAR PEDESTRIAN ALERT BOX

The Rear Pedestrian Alert is designed to alert you of pedestrians behind your vehicle. When you're in Reverse, Rear Pedestrian Alert can alert you to detected pedestrians directly behind your vehicle. It has limited night-time and low visibility performance.

## OnStar®



- Voice Command Button
- Blue OnStar® Button
- Emergency Button

This vehicle is equipped with a comprehensive, in-vehicle system that can connect to a live OnStar® Advisor for Emergency, Security, Navigation, Connection, and Diagnostic Services. OnStar® services may require a paid subscription. OnStar® requires the vehicle battery and electrical system, cellular service, and GPS satellite signals to be available and operating. OnStar® acts as a link to existing public emergency service providers. OnStar® may collect information about you and your vehicle, including location information. See OnStar's® Terms and Conditions and Privacy Statement for more details including system limitations at [www.OnStar.com](http://www.OnStar.com) (U.S.) or [www.OnStar.ca](http://www.OnStar.ca) (Canada). The OnStar® system status light is next to the OnStar® buttons. If the status light is:

- Solid Green: System is on.
- Flashing Green: On a call.
- Red: Indicates a problem.
- Off: System is off. Press the blue OnStar® button twice to speak with an OnStar® Advisor.

Press or call 1-888-4-ONSTAR (1-888-466-7827) to speak to an Advisor.

Press to:

- Make a call, end a call, or answer an incoming call.
- Give OnStar® Hands-Free Calling voice commands.

**NOTE: Do not activate OnStar® if you have no plans on using this feature**

## STANDARD FEATURES

### HD SURROUND VISION



With Birds Eye View. Includes instant ON hard button, left of steering wheel.

### REMOTE KEYLESS ENTRY PACKAGE

AMF allows for up to 8 remote keys to be paired for remote key button functions. The first eight remote keys are given the positions #1-#8 in the RKE. Additional remote keys, starting with #9, will override previously programmed remote keys, starting at #1. For passive functions such as unlocking the vehicle through the door handle or starting the vehicle, unlimited remote keys may be programmed. Verify that the proper remote keys are learned to the vehicle. With optional 6E2 and/or 6E8 an unlimited number of FOBS can be paired.

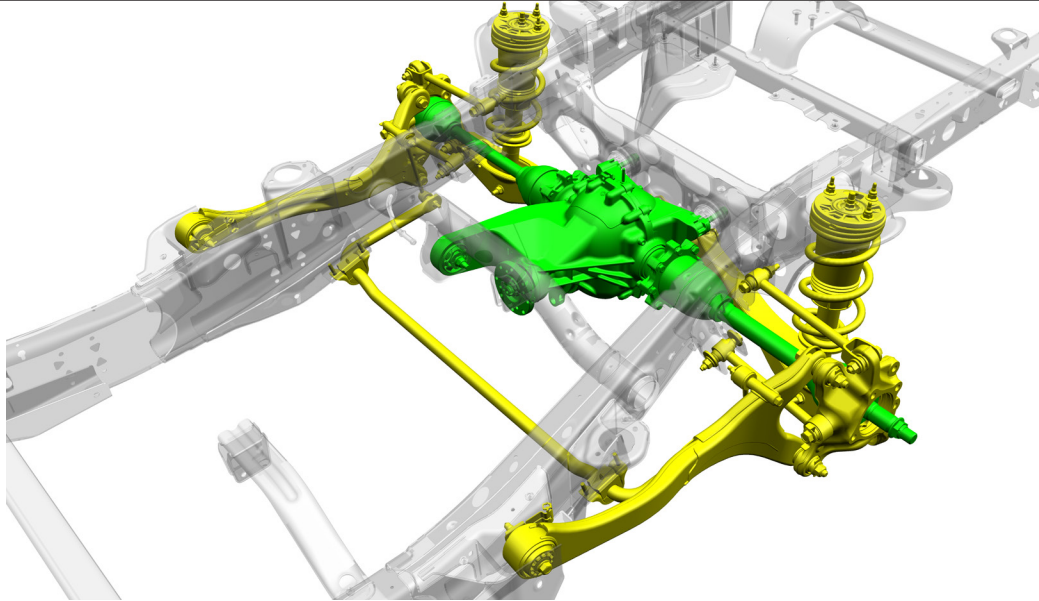
**NOTE:** If previously learned remote keys are not available, the programming of the new remote keys must be performed by a dealer using the Service Programming System (SPS). Remote key programming is not a warranty item and programming is conducted by the customer at a dealer at customer expense.

#### PROGRAMMING PROCEDURE:

1. With one previously learned remote key in the vehicle, place the Kremote key to pair above the ignition start button. Start vehicle and keep in PARK.
2. On the infotainment home screen, select Vehicle>Settings>Remote Lock, Unlock, Start>Remote Key Pairing.
3. Follow on-screen instructions.

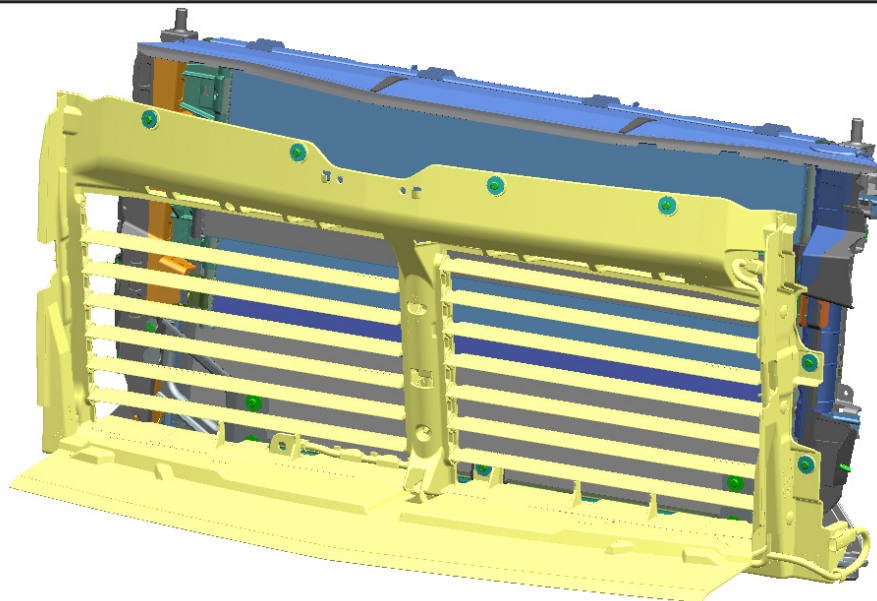
## STANDARD MECHANICAL FEATURES

### INDEPENDENT REAR SUSPENSION



Heavy duty Clutch-type limited-slip differential (green), Fully independent multilink suspension (yellow) utilizing monotube dampers, linear coil springs, and 32mm hollow stabilizer bar

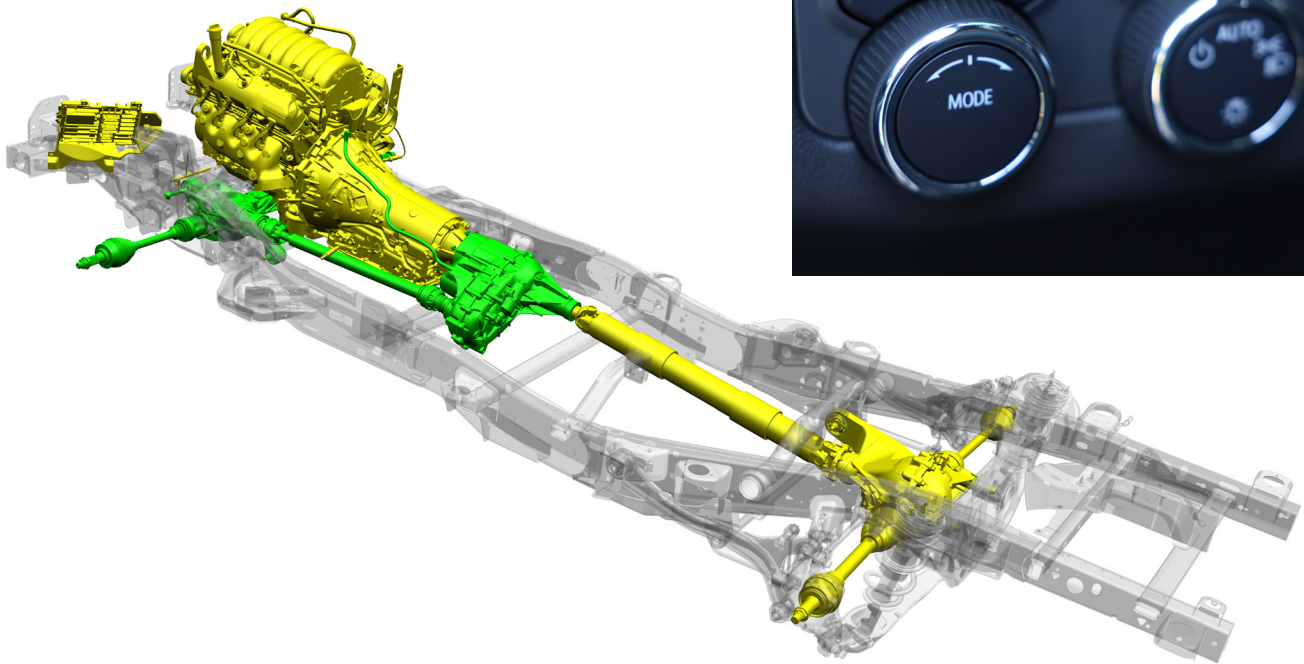
### SHUTTER SYSTEM



The vehicle may have a shutter system designed to help improve fuel economy. Keep the shutter system clear of debris, snow and ice. If the check engine light is activated, please check to see if the shutter system is clear of debris, snow or ice.

# STANDARD MECHANICAL FEATURES

## 4WD POWERTRAIN



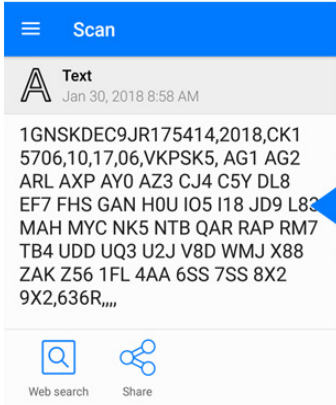
TRANSFER CASE - Autotrac with AUTO 4WD, 4HI or 2HI electronic settings (includes Terrain Mode). Single-speed, electronic transfer case does not include neutral and cannot be dinghy towed.



# STANDARD MECHANICAL FEATURES

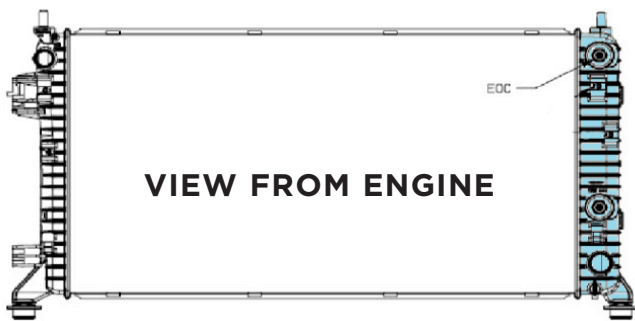
## SERVICE PARTS IDENTIFICATION LABEL

SPID Label Content Now Included with Certification Label. The Service Parts Identification (SPID) label, often located in the trunk or glovebox of a vehicle, lists a vehicle's VIN, RPO codes and other information that identify the content of the vehicle. Beginning with the 2018 model year, much of this information will be available through a QR code on the Certification label.



Software to read the QR code is commonly available for any Android, iPhone or Windows smartphone. Many basic applications can be downloaded for free. Tested QR code readers that are easy to use include NeoReader by NM LLC, inigma by 3GVision, QR Scanner by Honestly App, QR Droid by DroidLa and Bar-Code by PW2. GM does not recommend any particular software. Once the QR code is scanned, the vehicle information will appear in the following order: VIN, Model Year, Model, Build Month, Year, Engineering Book, Vehicle Order Number, 3 Digit RPO Codes sorted alphanumerically, and the Paint Code (same code appears in the lower left of the QR code).

### ENGINE OIL COOLER



Engine Oil is cooled by passing the fluid through a cooler located in the engine radiator assembly end tank.

Engine oil is pumped by the engine oil pump from the driver side of the engine block through piping to an oil-to-coolant heat exchanger located within the passenger side end-tank of the coolant radiator and returned to engine.

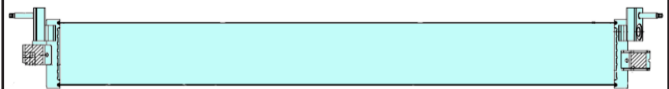
### TIRE PRESSURE MONITOR WITH TIRE FILL ALERT

The Tahoe Special Service Package is equipped with Tire Pressure Monitor System (TPMS) which warns of low tire pressure. Refer to your owner's manual for additional information the Tire Pressure Monitor System Programming.

Tire Fill Alert feature is included in addition to the DIC warning when a tire has low pressure. This feature provides audible and visual indication when air is being added to the low tire to aid in achieving optimal tire pressure.

NOTE: The spare tire pressure is NOT monitored.

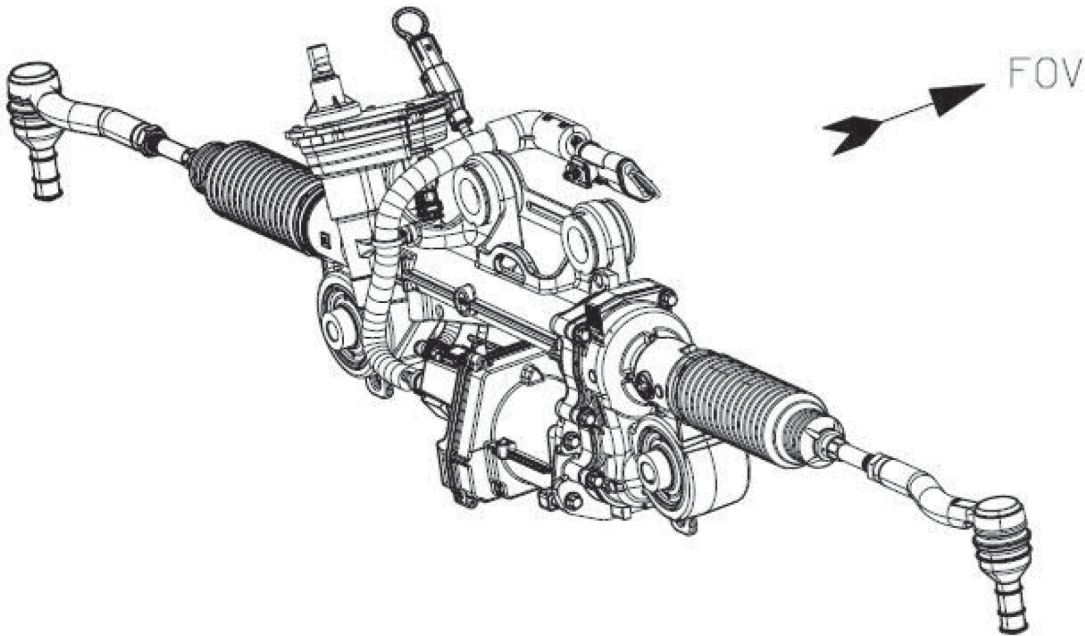
### TRANSMISSION OIL COOLER



Transmission oil is pumped from the transmission through piping to an oil-to-air heat exchanger and then returns to the transmission. The transmission oil cooler is located in front of the air conditioning condenser as part of the Condenser, Radiator, and Fan Module (CRFM) assembly.

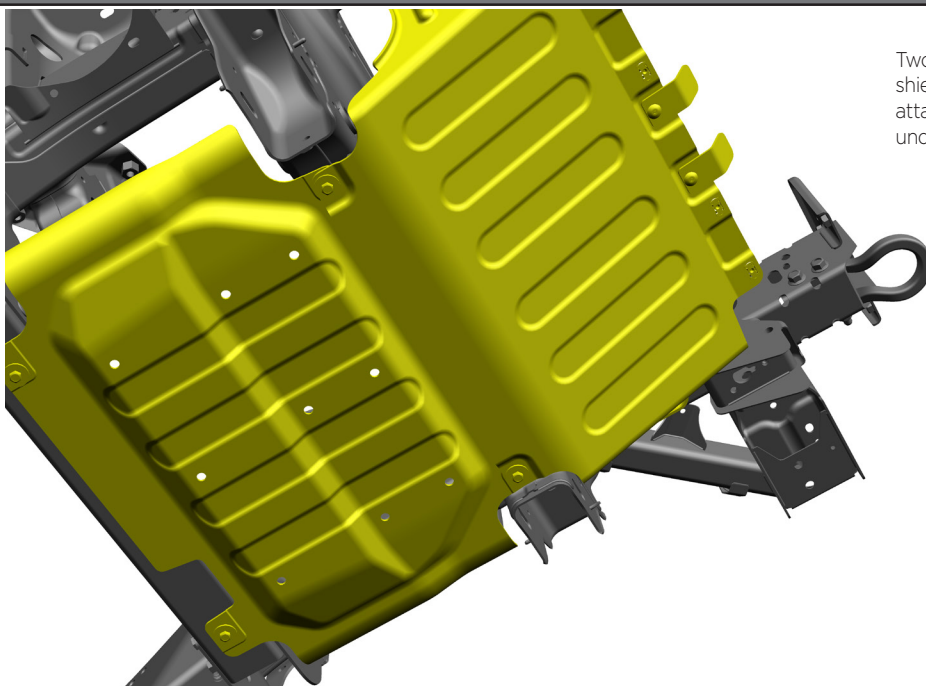
## STANDARD MECHANICAL FEATURES

### ELECTRIC POWER STEERING SYSTEM



The Electric Power Steering System consists of a Rack-and-Pinion steering gear assisted by an electronically controlled power steering motor and drive assembly. The steering gear is mechanically connected to the steering wheel system.

### SKID PLATES



Two-piece, heavy-duty aluminum front underbody shield that starts behind the front bumper and attaches to the front fascia, protects front underbody components and oil pan.

# STANDARD ENTRY & IGNITION

## KEYLESS ACCESS



The remote key must be within 3 ft (1 m) of the liftgate or door being opened or locked. Press the button on the door handle to open. 2nd Row Doors and Liftgate/glass only lock/unlock with REMOTE KEY or ft row interior courtesy switch. It's designed to prevent unwanted entry into 2nd row or rear cargo areas in hostile crowds. The side door liftgate/glass locking and unlocking SW handles the opening of these closures separately. The 2nd row exterior door handles PEPS buttons are purposely deactivated. The 2nd row interior power lock/unlock button is also purposely deactivated. SEO BCN can be ordered to give the retail PEPS function of the locking/unlocking.

## REMOTE KEYLESS ENTRY



The Keyless Access system allows for the vehicle entry when the remote is within 3 ft (1 m)



The mechanical key inside the remote key is used for the driver door, glove box and spare tire access.

To remove the mechanical key press the button on the side of the remote key near the bottom and pull the mechanical key out. Never pull the mechanical key out without pressing the button.

## PROTECTED IDLE

The Protected Idle Feature allows the vehicle to remain idling but will not allow the transmission to be shifted from Park without a valid REMOTE KEY.

### ACTIVATING PROTECTED IDLE

#### Preconditions (All preconditions must be met.)

- Vehicle is in PROPULSION (engine running) state
- Vehicle is in Parked State
- Vehicle speed is less than 4 kilometers per hour
- Valid REMOTE KEY is present.

#### Activation

Press and Hold the Cruise Cancel Switch for 2 seconds

#### Vehicle Feedback.

Upon activation of Protected Idle, the Digital Information Center (DIC) will display the following:

- “Protected Idle ON”
- “Park in Open Area”
- “Take Your Key”

If any of the above preconditions are not met while activating Protected Idle, DIC will display the message: “Protected Idle Unavailable”

### DEACTIVATING PROTECTED IDLE

Valid REMOTE KEY is present

- Press brake pedal and shift out of Park **OR**
- Press and hold the Cruise Cancel Switch for 2 seconds **OR**
- Press the Ignition Switch with the Brake Pedal pressed.

DIC messages will turn off, indicating Protected Idle is no longer activated.

### CONDITIONS UNDER WHICH THE PROTECTED IDLE WILL TURN OFF AND VEHICLE WILL TRANSITION TO OFF POWER MODE

- Brake pedal pressed without a valid REMOTE KEY present **OR**
- Cruise Cancel Switch depressed without a valid REMOTE KEY present **OR**
- Ignition Switch pressed without a valid REMOTE KEY present **OR**
- With a valid REMOTE KEY present, ignition switch is pressed and brake pedal is not pressed (the system treats this action as a customer request to turn OFF the vehicle.) **OR**
- Engine stalls. Horn chirps occur. **OR**
- Low fuel condition. Horn chirps occur.

### CONDITIONS UNDER WHICH THE PROTECTED IDLE WILL TURN OFF AND VEHICLE WILL TRANSITION TO RUN POWER MODE.

If the Shift Lock mechanism is defeated and shifted Out of Park while the Protected Idle is active, the vehicle will transition to the RUN power mode (the engine will be turned off) and Protected Idle will be deactivated and Horn chirps occur. DIC messages will turn off indicating Protected Idle is inactive.

**ALWAYS PROPERLY SUPERVISE A VEHICLE WHEN PEOPLE OR ANIMALS ARE INSIDE WHEN THE ENGINE IS IDLING.**

## PUSH TO START IGNITION



If REMOTE KEY not detected, from low REMOTE KEY battery, or radio interference, hold key to start button to start

## STANDARD ELECTRICAL FEATURES

### OVERHEAD DOME LAMPS



There are dome lamps in the overhead console and the headliner. To change the dome lamp settings, activate the following:

- Press and hold any of the overhead console lens to turn all dome lamps on.
- Press and hold any of the overhead consoles lens again to turn all dome lamps off.
- Press OFF to turn off the dome lamps when a door is open. An indicator light on the button will turn on when the dome lamp override is activated.

### STEERING WHEEL BUTTONS



The steering wheel has two button switches on the left backside which have been re-purposed for the operation of aftermarket emergency equipment such as lighting or radios<sup>1</sup>. The switches operate emergency equipment via the Body Control Module (BCM). The top button provides a latching ground signal for lights and siren; the bottom button provides a momentary ground signal for a push to talk two-way radio. The following customer device electrical specifications must be met to avoid damage to the BCM input circuitry:

- BCM can operate a single relay only with a maximum inductive energy of 2 millijoules. Current in Active State: 350 milliamps @ 16 volts. Voltage in Active State: 0.76 volts

### ROUTING GROMMETS



Provides pass through for a small number of wires and are located at the left and right sides of the front of dash. Carefully remove or puncture only the nipple portion for the passage of upfitter wires and silicone seal around the wire after installation. Note that a vehicle harness is passing through the grommets and care must be taken to avoid damaging these harnesses especially in the instrument panel interior.

<sup>1</sup>. GM is not responsible for the safety or quality of design features, materials or workmanship of any alterations by third parties.

# STANDARD ELECTRICAL FEATURES

## AUXILIARY BATTERY POWER REAR ELECTRICAL CENTER



The auxiliary battery negative battery cable is disconnected during shipment. It must be connected by the customer for proper operation of blunt cut battery feed circuits and auxiliary battery charging system

## CARGO UPFIT BRANCH HARNESS



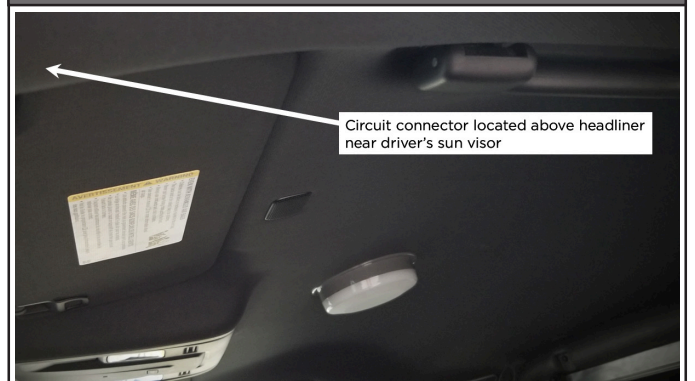
Cargo area branch with circuits for customer connection<sup>1</sup>. Tagged circuits listed in UPFIT WIRING HARNESS CIRCUIT LIST

## FRONT CENTER UPFIT BRANCH HARNESS



Front row area branch with circuits for customer connection. Tagged circuits listed in UPFIT WIRING HARNESS CIRCUIT LIST.

## INTEGRATED AUX MICROPHONE WIRING



Circuit connector located above headliner near driver's sun visor

Hands free auxiliary microphone wiring has been provided for usage with after-market 2 way police radios. It's designed to be used with the re-purposed LH steering wheel lower button and associated momentary grounding output circuit number 8021 BN/GY wire. It's further enhanced with the OEM AM/FM radio mute feature using circuit number 10137 GY/WH wire connected to the aftermarket 2 way radio unit.

- Connector PN 13533335 and terminal PN 82400628 are needed to mate with the OEM provided headliner connector
- See adjacent photo for the location of the OEM provided circuit branch/connector in the headliner.

<sup>1</sup>. GM is not responsible for the safety or quality of design features, materials or workmanship of any alterations by third parties.

# STANDARD ELECTRICAL FEATURES

## WIRING PROVISIONS FOR 12-VOLT BATTERY POWER SUPPLY

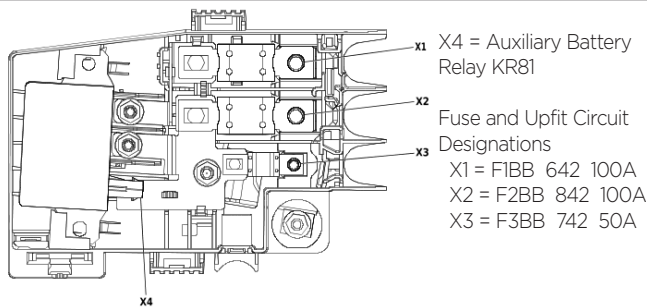
The vehicle is equipped with wiring provisions for connecting the Auxiliary Battery to customer installed equipment. Upfitter wiring harnesses are located between the front seats and at the left side of the cargo area, rearward of the auxiliary battery. Wire circuits in the front (CONSOL) and rear (CARGO) upfitter harnesses are identified by numbered tags on the wires. The upfitter circuits are identified in the Upfit Wiring Harness Circuit Identification chart. A wiring diagram for the control relays is provided in this specification document.

The Primary Battery provides 12 volt power to four relays which are controlled by customer grounding to the upfit relays via circuits 8895, 8896, 8897 and 8898. Customer equipment load is connected to the control relay contacts via circuits 8911, 8912, 8913 or 8914 listed in the Upfit Wiring chart. Ground circuit wires are also found in the Wiring Chart.

Refer also the Wiring Chart for Vehicle Systems Signals for Vehicle Speed, Interruptible Retained Accessory Power\*, Run/Crank Ignition Power, Driver Door Ajar, Surveillance On/Off, Brakes Applied, Park Enable and IP Dimming.

\* See Page 47 of this guide for detail

## AUXILIARY BATTERY FUSE BLOCK X50EA



## RADIO MUTE FEATURE

A Radio Mute circuit (#10137) is provided to permit muting of the vehicle radio when an emergency vehicle radio is transmitting. It is the Gray/White blunt cut wire located between the front seats near the upfitter branch harness.

The following customer device electrical specifications must be met to avoid damage to the vehicle Exterior Lighting Module (ELM) input circuitry:

- No inductance allowed
- Maximum Load Capacitance: 600 nano-farads.
- Maximum Closed switch contact resistance: 20 ohms
- Minimum Open switch contact resistance: 100,000 ohms

## EXTERIOR LAMPS EMERGENCY FLASHING SYSTEM

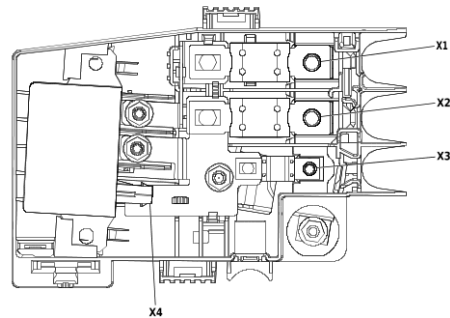
Option 6J7 provides headlamp high beam flashing and rear lamps flashing via the Exterior Lighting Module (ELM). The exterior lamps flashing is activated by customer switching of ground circuits in the upfitter harness located between the front seats (CONSOL) in the rear cargo area (CARGO).

Headlamp high beam flashing is activated via connection of upfitter circuit 8863 to ground via customer switching. The headlamps and high beam indicator will flash alternately at 3 flashes per second. Rear lamps flashing is chosen by the customer to flash either Red-White alternately (Brake lamps and Reverse Lamps, grounding upfitter circuit 8865) or Red-Red alternately (Left and Right Brake Lamps, grounding upfitter circuit 8864). The rear lamps flash rate is 3 per second. Depressing the Brake pedal will override the brake lamp flashing and placing the transmission in Reverse will override the reverse lamps flashing. During daylight conditions, the Daytime Running Lamps (DRL) are automatically turned off whenever the Lamp Flashing System is activated. During night time conditions the low beam headlamps and tail lamps automatically turn on while the high beams flash. Turning on the high beam headlamps will override high beam flashing. If Option 9G8 is present the low beam head lamps and tail lamps must be manually activated. The Center Mounted Stop Lamp will operated only when the service brakes are applied.

### NOTES:

- Wiring connection or splice changes are to be removed before the vehicle is returned to civilian use.
- For wiring diagram see Wiring Section

## INSTRUMENT PANEL AUXILIARY JUNCTION BLOCK



Auxiliary Fuse Block is located above brake pedal Junction Block Upfit Wiring Diagram

- K124 KR161A
- K125 KR161B
- K126 KR161C
- K127 KR161D
- K128 Not Used

### Fuse and Upfit Circuit Designations

F160	5A	239	F164	5A	239
F161	5A	2742	F165	5A	2742
F162	25A	8911	F166	20A	8913
F163	20A	8912	F167	25A	8914

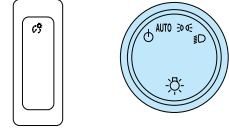
# STANDARD ELECTRICAL FEATURES

## WIRING PROVISION FOR OUTSIDE MIRRORS AND CARGO SIDE WINDOWS

Wiring provisions are provided for connection to customer-provided LED emergency lighting to be installed on the outside rear view mirrors and on the rear of the cargo area side windows. Blunt-cut wires are located in the front doors and above the cargo area headliner, forward of the lift gate. The wire circuits are included in the CONSOLE and CARGO Upfitter branch harnesses for connection to customer- installed strobe lights, strobe power and flash controls (circuits 8870-8889).

## SURVEILLANCE FEATURE MANUAL LAMP CONTROL AND 9G8

The headlamp control on the driver's side of the instrument panel operates the exterior lamps. If your Tahoe does not have option 9G8, DELETE DAYTIME RUNNING LAMPS and AUTOMATIC HEADLAMPS, the Daytime Running Lamps and Automatic Headlamps can be turned OFF for one ignition cycle by rotating the headlamp control knob momentarily counter-clockwise. See also Section 3 of your Tahoe Owner's Manual.



Surveillance Feature - The Body Control Module (BCM) is calibrated to disable the exterior and interior automatic lighting. When ground is applied to upfit circuit wire 6821 (see Upfit Wiring Harness Circuit List) in the front upfitter branch harness via a customer-provided switch, automatically controlled lighting is disabled or dimmed to a Federally regulated level.

Option SEO 9G8 - Delete Daytime Running Lamps and Automatic Headlamps. This option disables the Daytime Running Lamps and Automatic Headlamps control feature. Exterior lamps are only manually controlled (Option 9G8 is not available in Canada).

When the headlamp switch is in Auto with 9G8 installed, the instrument cluster, radio display and air conditioning illumination remains at daytime intensity and are dimmable only when the headlamp switch is rotated to the Parking Lamps or Headlamps positions. If SEO 9G8 is not installed, the displays are dimmable with the Headlamp switch in the AUTO position. The instrument cluster, radio and AC displays will dim if the Surveillance Feature is activated as described above.

NOTE: Wiring connection or splice changes are to be removed before the vehicle is returned to civilian use.

AVAILABLE EXTERIOR COLORS ACTUAL COLORS MAY VARY



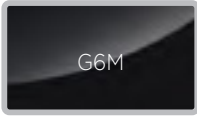
Black



Sterling Gray Metallic



Lakeshore Blue Metallic



Dark Ash Metallic

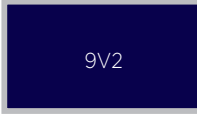


Summit White

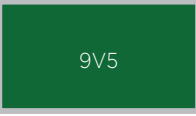


Radiant Red Tintcoat Extra Charge

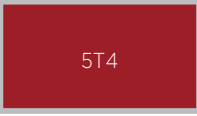
SEO PAINT AVAILABLE ACTUAL COLORS MAY VARY



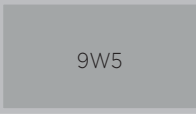
MSP Blue Goose WA-5665



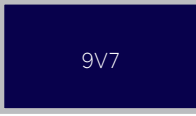
Woodland Green WA-9015



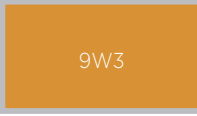
Victory Red WA-9260



Silver Ice Metallic WA-636R



Dark Blue Metallic WA-722J



Wheatland Yellow WA-253A

Note: Will require 5 orders before sending to plant  
1 - Requires SEO (5T4) Exterior body colored parts

AVAILABLE INTERIOR COLOR ACTUAL COLORS MAY VARY



Jet Black Cloth



Jet Black Vinyl

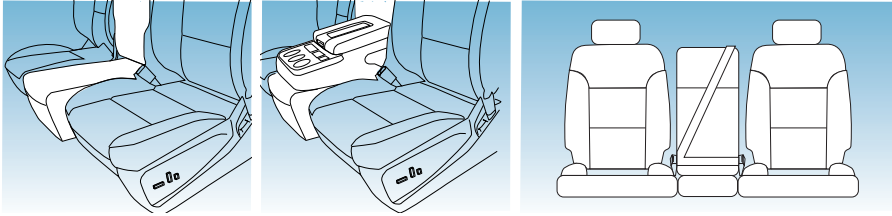




## FRONT SEATS AND INTERIOR TRIM

### STANDARD FRONT ROW SEATING

**AZ3 40/20/40 INDIVIDUAL SEATS FOR 3 FRONT OCCUPANTS** CLOTH 10-way power driver seat and 6-way power passenger seat, both with 2-way power lumbar. Center seat folds-down for armrest and cup holders or can be unbolted for removal. Bottom center seat cushion lifts for storage. 120V power output mounted on backside of center seat.



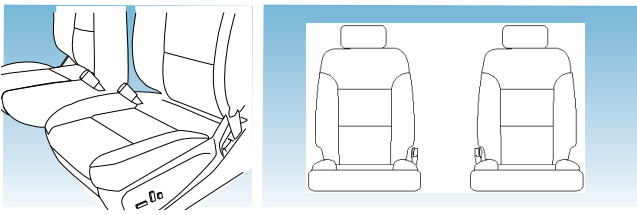
Seat Code	Seat Trim	Color	Color Code
AZ3	Cloth	Jet Black	HIT

- Front cloth and vinyl rear seat combination is available by ordering option 5T5 and requires Jet Black (HOU)
- Center seat can be unbolted for removal

### 5Y1

### OPTIONAL FRONT ROW SEATING

**5Y1 FRONT CENTER SEAT DELETE WITH CLOTH 40/40 INDIVIDUAL SEATS** Power driver and passenger bucket seats in base cloth trim. Derived from RPO (AZ3) 40/20/40 split-bench seat with the 20% section removed, which also removes the auxiliary power outlet, USB port and input jack for audio system. Does not include a floor console. All exposed floor area will remain untrimmed. Not available with (B30) color-keyed carpeting floor covering. Not available with (B30) color-keyed carpeting floor covering. (UBD) 2 type-A and C, charge and data USB ports and (KI4) 2, 120-volt power outlets are bundled and shipped loose when ordered for upfitter installation.



Seat Code	Seat Trim	Color	Color Code
AZ3 & 5Y1	Cloth	Jet Black	HIT

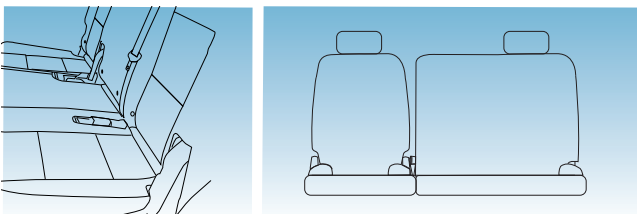
- Front cloth and vinyl rear seat combination is available by ordering option 5T5 and requires Jet Black (HOU)
- Requires (BG9) Black rubberized vinyl floor covering

## REAR SEATS AND INTERIOR TRIM

### STANDARD SECOND ROW SEATING

**AT6 VINYL SECOND ROW 60/40 SPLIT-FOLDING BENCH SEAT**

Headrests for outboard seating positions and reclining rear seat back. 3rd row seats not available.



Seat Code	Seat Trim	Color	Color Code
5T5	VINYL	Jet Black	HOU

- Does not include rear passenger armrest or cup holders

## OPTIONAL INTERIOR FEATURES

<b>B30</b>	<b>CARPET FLOOR COVERING</b> - Color-keyed carpeting, includes front and second row color keyed floor mats. Horizontal surface of cargo area will be covered in vinyl. Center Seat Delete (5Y1) is not available with (B30) carpeting.
<b>6N6</b>	<b>DOOR LOCKS AND HANDLES</b> - Inside rear doors inoperative (doors can only be opened from outside)
<b>B58</b>	<b>FLOOR MATS</b> - Color-keyed carpeted first and second row, removable. Requires and only available with (B30) color-keyed carpeting floor covering
<b>5Y1</b>	<b>FRONT CENTER SEAT (20% SEAT) DELETE</b> - Power driver and passenger bucket seats in base cloth trim. Derived from RPO (AZ3) 40/20/40 split bench seat with the 20% section removed, which also removes the auxiliary power outlet. Does not include a floor console. (UBD) 2 type-A and C, charge and data USB ports and (KI4) 2, 120-volt power outlets are bundled and shipped loose in a bag for customer connection. All exposed floor area will remain untrimmed. Requires (BG9) Black rubberized vinyl floor covering. Not available with or (B30) color-keyed carpeting floor covering.
<b>6E2</b>	<b>KEYS/REMOTE KEYS</b> - Fleet Calibration, provides a single key with a specific code that is common to the door locks of all the vehicles in the vehicle fleet. Key code is an alternate to SEO (6E8) Fleet Calibration. NOTE: NOT COMPATIBLE with previous model years. Includes (AU7) fleet common key. Not available with SEO (6E8) complete vehicle fleet common key.
<b>6E8</b>	<b>KEYS/REMOTE KEYS</b> - Fleet Calibration, provides a single key with a specific code that is common to the door locks of all the vehicles in the vehicle fleet. Key code is an alternate to SEO (6E2) Fleet Calibration. NOTE: NOT COMPATIBLE with previous model years. Includes (AU7) fleet common key. Not available with SEO (6E2) complete vehicle fleet common key.
<b>T53</b>	<b>LAMPS</b> - Alternate flashing Red and Blue rear compartment liftgate warning lamps (visible when liftgate is open) and controlled by liftgate -mounted switch or ground wire in upfitter harness connected to customer switching.
<b>6C7</b>	<b>LIGHTING</b> - Red and white LED front auxiliary dome is located on headliner between front row seats. The auxiliary lamp is wired independently from standard dome lamp
<b>R9L</b>	<b>DELETE ONSTAR BASICS</b> - One Business Essentials for Fleet). Requires (UE1) OnStar. Only available on vehicles being shipped to Puerto Rico the Virgin Islands, or Guam. Deletes OnStar standard services (OnStar One Essentials/Connected Access/EV Access) for vehicles shipping to these territories.
<b>6N6</b>	<b>REAR DOOR LOCKS AND HANDLES INOPERATIVE</b> - Rear power locks are inoperable at rear door but operate from drivers position, rear doors can be opened only from outside the vehicle. Includes (VPV) Kerr Industries Ship-thru to mechanically remove hardware linkage.
<b>6N5</b>	<b>REAR DOOR WINDOW SWITCHES INOPERATIVE</b> - Calibration for rear windows to operate from drivers position only. Window lockout switch remains illuminated in all positions when equipped with this feature..
<b>BTV</b>	<b>REMOTE VEHICLE STARTER SYSTEM</b> - Includes remote keyless entry
<b>UTQ</b>	<b>THEFT DETERRENT SYSTEM</b> - Content, disable, the alarm and horn become nonfunctional in an attempt of theft to the vehicle

## OPTIONAL EXTERIOR FEATURES

<b>9G8</b>	<b>HEADLAMPS, DELETE DAYTIME RUNNING LIGHTS AND AUTOMATIC HEADLAMPS</b> - Daytime Running Lamps and automatic headlamp control delete, deletes standard Daytime Running Lamps and automatic headlamp control features.
<b>5T4</b>	<b>EXTERIOR BODY COLORED PARTS</b> - Special paint WA 9260 , Victory Red painted parts will be front fascia, rear fascia, tailgate applique, liftgate handle and door handles. Black parts will be D-pillar applique, rear spoiler, mirrors, ultrasonic park assist sensors and OnStar antenna.
<b>9V2</b>	<b>EXTERIOR BODY COLORED PARTS</b> - Special paint WA 5665 , MSP blue painted parts will be front fascia, rear fascia and tailgate applique Black parts will be liftgate handle, door handles, D-pillar applique, rear spoiler, mirrors, ultrasonic park assist sensors and OnStar antenna.
<b>9W3</b>	<b>EXTERIOR BODY COLORED PARTS</b> - Special paint WA 253A, Wheatland Yellow. Black parts will be front fascia, rear fascia, tailgate applique, liftgate handle, door handles, D-pillar applique, rear spoiler mirrors, ultrasonic park assist sensors and OnStar antenna.
<b>9V7</b>	<b>EXTERIOR BODY COLORED PARTS</b> - Special paint WA 722J , Dark Blue Metallic painted parts will be high approach front fascia, rear fascia and tailgate applique. Black parts will be liftgate handle, door handles, D-pillar applique, rear spoiler, mirrors, ultrasonic park assist sensors and OnStar antenna.
<b>9V5</b>	<b>EXTERIOR BODY COLORED PARTS</b> - Special paint WA 9015, Woodland Green. Black parts will be front fascia, rear fascia, tailgate applique, liftgate handle, door handles, D-pillar applique, rear spoiler mirrors, ultrasonic park assist sensors and OnStar antenna..
<b>AKP</b>	<b>GLASS</b> - Solar absorbing, non tinted
<b>VK3</b>	<b>LICENSE PLATE</b> - Front mounting package (included on orders with ship-to states that require front license plate)
<b>6JG</b>	<b>LAMP PACKAGE, RED/BLUE</b> - Red Left/Blue Right Whelen LED Lamp Package, four ION™ light heads mounted in front grille and integrated Outer Edge® Rear Pillar with six ION™ light heads. Original exterior D-pillar trim shipped loose for vehicle decommissioning.
<b>6J9</b>	<b>LAMP PACKAGE, RED</b> - Red Left/Red Right Whelen LED Lamp Package, four ION™ light heads mounted in front grille and integrated Outer Edge® Rear Pillar with six ION™ light heads. Original exterior D-pillar trim shipped loose for vehicle decommissioning.
<b>6JE</b>	<b>LAMP PACKAGE, BLUE</b> - Blue Left/Blue Right Whelen LED Lamp Package, four ION™ light heads mounted in front grille and integrated Outer Edge® Rear Pillar with six ION™ light heads. Original exterior D-pillar trim shipped loose for vehicle decommissioning.
<b>6J8</b>	<b>LAMP PACKAGE, WHITE</b> - White Left/White Right Whelen LED Lamp Package, four ION™ light heads mounted in front grille and integrated Outer Edge® Rear Pillar with six ION™ light heads. Original exterior D-pillar trim shipped loose for vehicle decommissioning.
<b>V54</b>	<b>LUGGAGE RACK SIDE RAILS</b> - Roof-mounted. Black.
<b>V76</b>	<b>RECOVERY HOOKS<sup>1</sup>, BLACK</b> - Two front frame-mounted. Required on all models sold to Alaska, Guam, Hawaii, Puerto Rico and Virgin Islands. All Tahoe 5W4 Special Service Vehicles will include front fascia recovery hook openings but does not include the hooks. See optional equipment illustrations section. <b>NOTE:</b> Front recovery hooks are for vehicle recovery only. To avoid the risk of injury, never use recovery hooks to tow a vehicle
<b>TGK</b>	<b>SPECIAL PAINT SOLID</b> - One color all normally body-colored non-sheet metal parts will be gloss Black. This includes front and rear fascias, liftgate handle and applique, 'D' Pillars and Upper liftgate applique. Mirrors and door handles will be grained Black parts. May require extended lead time. Required with any SEO paint selection. May require extended lead time.
<b>VQK</b>	<b>SPLASH GUARDS</b> - Molded black, Dealer-installed
<b>7X3</b>	<b>SPOTLAMP</b> - Left hand, pillar-mounted unity, 6-inch with LED lamps; independently fused
<b>7X2</b>	<b>SPOTLAMPS</b> - Left and right hand, pillar-mounted unity, 6-inch with LED lamps; independently fused
	<b>NOTE: Factory installation of spotlamps are recommended. Special tooling is used to locate and drill the spotlamp shaft hole in the pillars. (Interior trim covers provided with factory installed lamps are not available as service parts). Field installation of spotlamps must not interfere with proper deployment of the roof rail mounted head-curtain airbags in the event of a crash</b>
<b>XCI</b>	<b>TIRES</b> - 275/60R20SL all-season, blackwall. Included and only available with (NZV) 20" machined aluminum wheels with charcoal pockets.
<b>QAE</b>	<b>TIRES</b> - 275/60R20SL all-terrain, blackwall. Required and only available with (NZV) 20" machined aluminum wheels with charcoal pockets.
<b>NZV</b>	<b>WHEELS</b> - 20" x 9" (50.8 cm x 22.9 cm) machined aluminum with charcoal pockets. Includes (XCI) 275/65R20SL all-season, Blackwall tires unless (QAE) 275/60R20SL all-terrain, blackwall tires are ordered

1. Safety or driver assistance features are no substitute for the driver's responsibility to operate the vehicle in a safe manner. The driver should remain attentive to traffic, surroundings and road conditions at all times. Visibility, weather, and road conditions may affect feature performance. Read the vehicle's owner's manual for more important feature limitations and information.

## OPTIONAL ELECTRICAL FEATURES

<b>5J1</b>	<b>CALIBRATION</b> - Keyless remote panic button and exterior lights/horn disable
<b>UN9</b>	<b>RADIO SUPPRESSION</b> - Additional ground straps shipped loose to be installed by customer.
<b>BCN</b>	<b>RETAIL LOCKING CALIBRATION</b> - Allows functionality of lock/unlock of front passenger side door and liftgate (disabled in standard PPV/SSV). Also allows the second row interior power lock/unlock door switches to function normally. Requires (WX7) auxiliary speaker wiring.
<b>WX7</b>	<b>WIRING</b> - Auxiliary speaker. For upfitter connection to front door and windshield pillar speakers.
<b>6J3</b>	<b>WIRING</b> - For grille lamps and siren speaker
<b>6J4</b>	<b>WIRING</b> - Horn Transfer Loop wire permits customer connection of a switch to operate the vehicle horn or a customer-provided siren system via the steering wheel horn button

## OPTIONAL MECHANICAL FEATURES

<b>NPO</b>	<b>TRANSFER CASE - 4WD ONLY (CK10706)</b> - Single-Speed Autotrac with Auto 4WD, 4HI and 2WD electronic settings (includes Terrain Mode). Does not include neutral setting and cannot be dinghy towed.
<b>VSY</b>	<b>HEATER</b> - Engine block (dealer installed) late availability
<b>JHD</b>	<b>HILL DESCENT CONTROL</b> - 4WD Only.

## OPTIONAL SHIP THRU

<b>VPV</b>	<b>SHIP THRU TO KERR INDUSTRIES</b> - Included with SEO (6J8) White Left/White Right Whelen LED Lamp Package, SEO (6J9) Red Left/Red Right Whelen LED Lamp Package, SEO (6JE) Blue Left/Blue Right Whelen LED Lamp Package, SEO (6JG) Red Left/Blue Right Whelen LED Lamp Package, SEO (6C7) red and white front auxiliary dome lighting, SEO (6N6) door locks and handles, SEO (7X2) left- and right-hand spotlamps, SEO (7X3) left-hand spotlamp, SEO (T53) alternate flashing Red & Blue rear compartment lid warning lamps, SEO (UN9) Radio Suppression Package, SEO (6J3) grille lamps and siren speakers wiring, SEO (6J4) horn and siren circuit wiring and SEO (WX7) auxiliary speaker wiring.
<b>TDD</b>	<b>SHIP THRU, PRODUCED IN ARLINGTON ASSEMBLY AND SHIPPED TO CAP FLEET UPFITTERS, TEMPLE, TX FOR SHIPPING TO FINAL DESTINATION</b> - Not available with SEO (6C7) red and white front auxiliary dome lighting, SEO (6N6) door locks and handles, SEO (7X2) left- and right-hand spotlamps, SEO (7X3) left-hand spotlamp, SEO (T53) alternate flashing Red & Blue rear compartment lid warning lamps, SEO (UN9) Radio Suppression Package, SEO (6J3) grille lamps and siren speakers wiring, SEO (6J4) horn and siren circuit wiring and SEO (WX7) auxiliary speaker wiring.
<b>TSB</b>	<b>SHIP THRU, PRODUCED IN ARLINGTON ASSEMBLY AND SHIPPED DEFENDER SUPPLY CO., ARLINGTON, TX FOR SHIPPING TO FINAL DESTINATION</b> - Not available with SEO (6C7) red and white front auxiliary dome lighting, SEO (6N6) door locks and handles, SEO (7X2) left- and right-hand spotlamps, SEO (7X3) left-hand spotlamp, SEO (T53) alternate flashing Red & Blue rear compartment lid warning lamps, SEO (UN9) Radio Suppression Package, SEO (6J3) grille lamps and siren speakers wiring, SEO (6J4) horn and siren circuit wiring and SEO (WX7) auxiliary speaker wiring.
<b>VDH</b>	<b>SHIP THRU, PRODUCED IN ARLINGTON ASSEMBLY AND SHIPPED AUTO TRUCK, FT. WORTH, TX FOR UPFIT AND SHIPPING TO FINAL DESTINATION</b> - Not available with SEO (6C7) red and white front auxiliary dome lighting, SEO (6N6) door locks and handles, SEO (7X2) left- and right-hand spotlamps, SEO (7X3) left-hand spotlamp, SEO (T53) alternate flashing Red & Blue rear compartment lid warning lamps, SEO (UN9) Radio Suppression Package, SEO (6J3) grille lamps and siren speakers wiring, SEO (6J4) horn and siren circuit wiring and SEO (WX7) auxiliary speaker wiring.

## ONSTAR

<b>POU</b>	<b>ONSTAR SECURITY<sup>1</sup> - 12 MONTHS OF SERVICE</b> - Provides up to 9 months of Fleet Safety and Security service in addition to the 3 months of complimentary coverage that is included in the price of the eligible vehicle. Total OnStar Fleet Safety and Security service duration is up to 12 months.
<b>POJ</b>	<b>ONSTAR SECURITY<sup>1</sup> - 24 MONTHS OF SERVICE</b> - Provides 21 months of Fleet Safety and Security service in addition to the 3 months of complimentary coverage that is included in the price of the vehicle. Total OnStar Fleet Safety and Security service duration is 24 months.
<b>POK</b>	<b>ONSTAR SECURITY<sup>1</sup> - 36 MONTHS OF SERVICE</b> - Provides 33 months of Fleet Safety and Security service in addition to the 3 months of complimentary coverage that is included in the price of the vehicle. Total OnStar Fleet Safety and Security service duration is 36 months.
<b>POL</b>	<b>ONSTAR SECURITY<sup>1</sup> - 48 MONTHS OF SERVICE</b> - Provides 45 months of Fleet Safety and Security service in addition to the 3 months of complimentary coverage that is included in the price of the vehicle. Total OnStar Fleet Safety and Security service duration is 48 months.
<b>POQ</b>	<b>ONSTAR SECURITY<sup>1</sup> - 60 MONTHS OF SERVICE</b> - Provides up to 57 months of Fleet Safety and Security service in addition to the 3 months of complimentary coverage that is included in the price of the eligible vehicle. Total OnStar Fleet Safety and Security service duration is up to 60 months.
<b>R8S</b>	<b>ONSTAR ONE BUSINESS PLUS<sup>2</sup> - 12 MONTHS OF SERVICE</b>
<b>RFS</b>	<b>ONSTAR ONE BUSINESS PLUS<sup>2</sup> - 24 MONTHS OF SERVICE</b>
<b>RFT</b>	<b>ONSTAR ONE BUSINESS PLUS<sup>2</sup> - 36 MONTHS OF SERVICE</b>
<b>RFU</b>	<b>ONSTAR ONE BUSINESS PLUS<sup>2</sup> - 48 MONTHS OF SERVICE</b>
<b>RFY</b>	<b>ONSTAR ONE BUSINESS PLUS<sup>2</sup> - 60 MONTHS OF SERVICE</b>
<b>POV</b>	<b>ONSTAR VEHICLE INSIGHTS<sup>3</sup> - 12 MONTHS OF SERVICE</b>
<b>POW</b>	<b>ONSTAR VEHICLE INSIGHTS<sup>3</sup> - 24 MONTHS OF SERVICE</b>
<b>POX</b>	<b>ONSTAR VEHICLE INSIGHTS<sup>3</sup> - 36 MONTHS OF SERVICE</b>
<b>POY</b>	<b>ONSTAR VEHICLE INSIGHTS<sup>3</sup> - 48 MONTHS OF SERVICE</b>
<b>POZ</b>	<b>ONSTAR VEHICLE INSIGHTS<sup>3</sup> - 60 MONTHS OF SERVICE</b>

**1.** Requires (UE1) OnStar. Requires one of the following Fleet or Government order types: FLS, FNR, FRC, FBC, FGO or FEF. Not available with POJ, POK, POL, POQ, POV, POW, POX, POY, POZ, R8G, R8P, R8W, R8Z, or RFH. OnStar plan, working electrical system, cell reception and GPS signal required. OnStar links to emergency services. See onstar.com for details and limitations. Roadside services provided by Allstate Roadside Service for vehicles only. Limitations and restrictions apply. Stolen Vehicle Assistance requires armed GM factory-installed theft-deterrent system, contact method on file and enrollment to receive alerts. Additional messaging and data rates may apply. Services are intended to assist with vehicle recovery and do not prevent theft or protect against damage or loss. The OnStar Security service is included in the price. **2.** Requires (UE1) OnStar. Requires one of the following US Fleet or Government order types: FLS, FNR, FRC, FBC, FGO or FEF. Not available with POU, POJ, POK, POL, POQ, POW, POX, POY, POZ, R8G, R8P, R8W, R8Z, or RFH. Eligible customers must sign up for an account at [www.onstarvehicleinsights.com](http://www.onstarvehicleinsights.com). Requires an active connected vehicle services plan. The OnStar Insights service is included in the price of the vehicle. Total service duration is 12 months. Non-Transferrable. Non-Refundable. Not available with a ship-to of Guam, Puerto Rico or the Virgin Islands. **3.** Requires (UE1) OnStar. Requires one of the following US Fleet or Government order types: FLS, FNR, FRC, FBC, FGO or FEF. Not available with POU, POJ, POK, POL, POQ, POW, POX, POY, POZ, R8G, R8P, R8W, R8Z, or RFH. Includes up to 12 months of Eligible customers must sign up for an account at [www.onstarvehicleinsights.com](http://www.onstarvehicleinsights.com) in order to take advantage of this 12 months offer. Requires an active connected vehicle services plan. The OnStar Insights service is included in the price of the vehicle.

## OPTIONAL EQUIPMENT

V76

### RECOVERY HOOKS



Two black front frame mounted. <sup>1</sup>

**NOTE:** Front recovery hooks are for vehicle recovery only. To avoid the risk of injury, never use recovery hooks to tow a vehicle.

6E2

### FLEET REMOTE KEY

6E8

The fleet REMOTE KEY feature allows the user to program a REMOTE KEY to be recognized by a particular vehicle for full remote functionality (Lock/Unlock and Remote Start if equipped). Use of this remote on other fleet keyed-a-like vehicles will be limited to unlocking the driver's door by pressing the exterior door handle button and starting the vehicle once inside. The remote lock/unlock and remote start (if equipped) buttons will not function unless the operator uses the Infotainment Screen to program the newly introduced REMOTE KEY. Note that a vehicle is only capable of recognizing the last 8 REMOTE KEYS programmed for full remote capability. Adding a 9th remote REMOTE KEY will bump REMOTE KEY #1 remote functionality until it is reprogrammed through the Infotainment Screen, adding remote #1 back into the Infotainment Screen will bump REMOTE KEY #2 remote button functionality, etc. There are no limitations to the amount of fleet keys that will be recognized to access and start the vehicle. Programming a newly introduced fleet REMOTE KEY through the Infotainment Screen is required to use the Protected Idle feature. Requires AMF.

NZV

### OPTIONAL ALUMINUM WHEEL



"20" x 9" (50.8cm x 22.9cm) machined aluminum with charcoal pockets. Includes (XCI) 275/60R20SL all-season, blackwall tires unless (QAE) 275/60R20SL all-terrain, blackwall tires are ordered.

<sup>1</sup> Never pull on recovery hooks from the side. The hooks could break and you and others could be injured. When using recovery hooks, always pull the vehicle from the front.

## OPTIONAL EQUIPMENT

7X2

### SPOTLAMPS

7X3



- 7X3 Spotlamp left hand, pillar-mounted unity, 6-inch with LED lamps; independently fused
- 7X2 Spotlamps left and right hand, pillar-mounted unity, 6-inch with LED lamps: independently fused

**NOTE:**

- For fuse location see Wiring Section
- Factory installation of spotlamps is recommended. Special tooling is used to locate and drill the spotlamp shaft hole in the windshield pillars.
- A customer furnished spotlamp assembly must be installed to avoid interference with proper deployment of roof rail mounted head-curtain and instrument panel passenger side airbags

T53

### LIFTGATE WARNING LAMPS



Red and Blue flashing LED warning lamps are mounted in the bottom of the liftgate and alternately flash when the liftgate is opened. A switch mounted near the left warning lamp turns the lamps on and off. The switch is shipped separately and must be customer-installed in the liftgate. The switch is attached to the left side cargo area upfitter harness stowed to the rear of the auxiliary battery. Install the switch by removing the cover from the mounting hole in the trim near the left warning lamp. Extract the switch connector through the trim hole and connect to the switch. Install the switch and connector assembly by snapping the switch into the trim hole. Operate the switch to turn the warning lamps ON and to turn the lamps OFF verify operation of the lamps.

The warning lamps can also be operated by connecting a circuit wire (8868) in the UPFIT WIRING HARNESS LIST to a customer emergency lighting controller. When circuit 8868 is grounded by the customer controller the lamps will flash. The liftgate switch can turn off the lamps when being flashed by the customer controller.

6C7

### AUXILIARY DOME LAMP



Auxiliary dome lamp is located on the headliner to the rear of the overhead console and is switched at the rear lamp base. Lamp is wired separately standard dome lamps with red and white LED bulbs.

6JG

## FRONT AND REAR EMERGENCY WARNING LAMPS

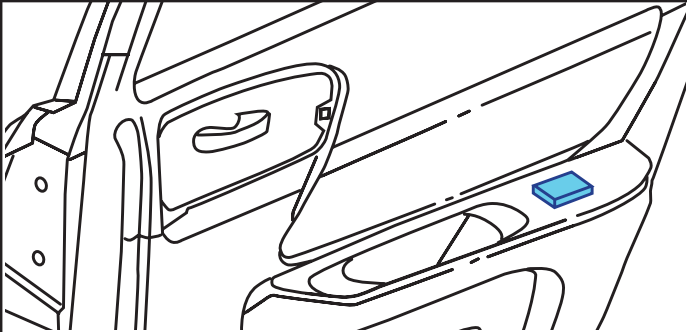
Red Left/Blue Right Whelen LED Lamp Package, four ION™ light heads mounted in front grille and integrated Outer Edge® Rear Pillar with six ION™ light heads.



## OPTIONAL EQUIPMENT

6N5

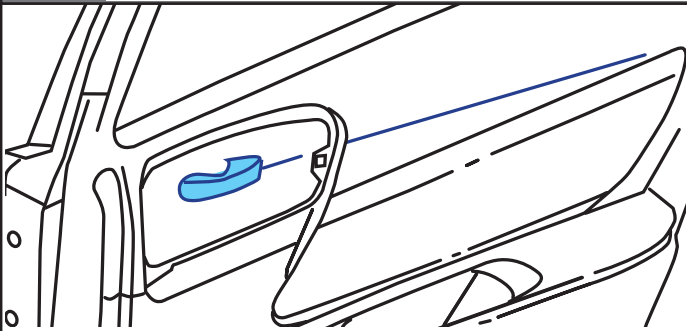
### SWITCHES - REAR WINDOW INOPERATIVE



Rear door window switches are inoperable. Rear door power regulators are operable only from driver position switches.

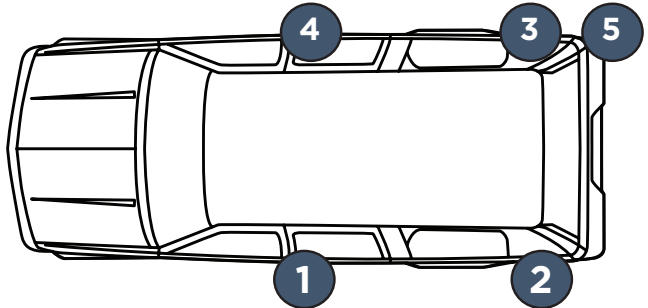
6N6

### REAR DOOR LOCKS AND HANDLES INOPERATIVE



Rear door locking rods are disabled. Rear door locks are inoperable at rear doors, but operate from driver position. Inside rear door handles are disconnected. Rear doors can only be opened from the outside.

### RADIO SUPPRESSION GROUND STRAPS



Provides additional grounding in the following locations:

1. Left hand front frame body mount bracket to underbody
2. Left hand rear frame body mount bracket to rear underbody
3. Right hand rear frame body mount bracket to rear underbody
4. Right hand front frame body mount bracket to underbody
5. Exhaust pipe hanger rod to rear frame hanger

UN9

### GROUND STRAPS AND HARDWARE KIT



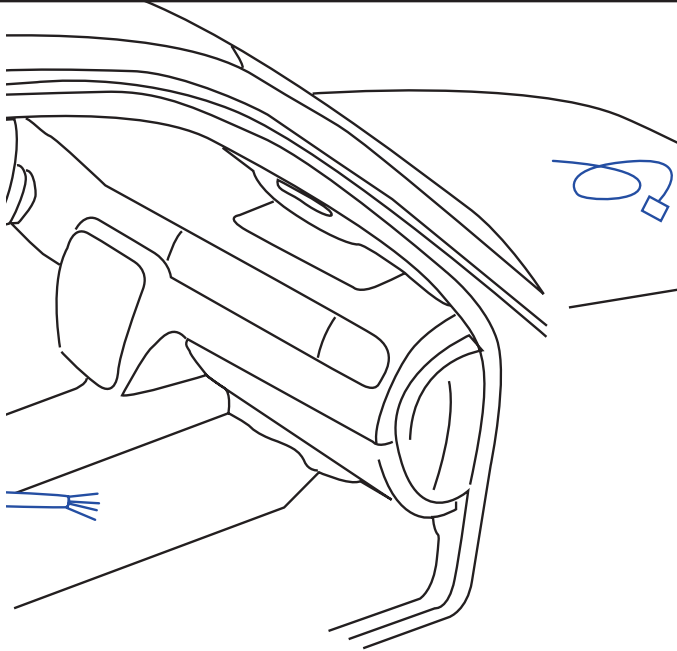
The UN9 ground straps and hardware kit is shown below in the plastic bag which is wire tied to the rear cargo blunt cut harness and accessible when the driver side rear cargo area fuse panel access door is removed. This kit should be installed per the I-sheet which can be found at the GM Upfitter.com site at the following link: [https://www.gmupfitter.com/files/media/photo/1500/UI%20Bulletin\\_173\\_PRELIM.pdf](https://www.gmupfitter.com/files/media/photo/1500/UI%20Bulletin_173_PRELIM.pdf)



## OPTIONAL EQUIPMENT

**6J3**

### WIRING PROVISIONS FOR VEHICLE GRILLE LAMPS AND SPEAKER/SIREN

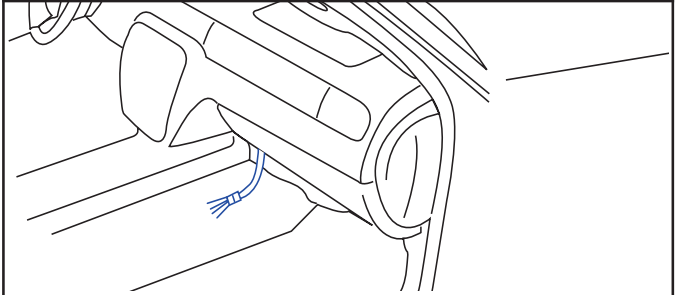


Blunt cut circuit wires are in the Upfit Branch Harness between front seats (CONSOL) and in cargo area (CARGO) as listed in Upfit Wiring Harness List. The blunt cut circuit wires for customer-furnished grille lamps and siren speaker are coiled at the radiator. Circuits 8855 and 8856 are for powering LED grille lamps. Circuit 8857 is ground, 8858 is for lamp sync and 8859 is for lamp steady burn. Circuit 8861 is speaker high and 8862 is speaker low. 8860 circuit is spare.

NOTES: Wiring connection or splices are to be removed before the vehicle is returned to civilian use.

**WX7**

### WIRING PROVISION FOR FRONT SPEAKERS



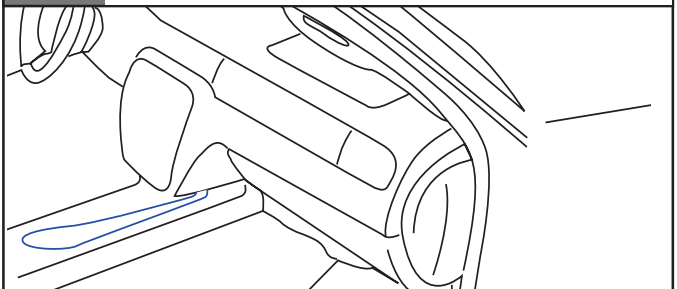
Approximately 60 inches (1.5 m) of auxiliary speaker wiring is coiled between the front seats (CONSOL) with the Upfitter Branch harness. The wiring permits connection of the front speaker pairs to customer-installed communication equipment. Vehicle radio front speaker outputs are re-routed to the rear speakers to maintain the required open door/key-in-ignition and other audible warnings.

NOTES:

- Wiring connection or splice changes are to be removed before the vehicle is returned to civilian use.
- For wiring diagram see Wiring Section

**6J4**

### WIRING PROVISION FOR HORN SIREN CIRCUIT



This provision permits customer connection of a switch to select either horn of siren operation when the horn pad is pressed.

A 22-gauge (0.35 mm<sup>2</sup>) wire is connected to an in-line connector in the horn circuit of the instrument panel harness under the instrument panel. The end of this harness extension is a 5-foot (1.5 m) loop of wire coiled under the center of the instrument panel.

NOTES:

- Wiring connection or splice changes are to be removed before the vehicle is returned to civilian use.
- For wiring diagram see Wiring Section

## UPFIT WIRING HARNESS CIRCUIT<sup>1</sup> IDENTIFICATION BETWEEN FRONT SEATS AND LEFT SIDE CARGO SPACE

Original Equipment Alterations: Limited warranty does not cover any damage or failure resulting from modification or alteration to the vehicle's original equipment as manufactured or assembled by General Motors. Examples of the types of alterations that would not be covered include: installation or use of any non-GM part, accessory, materials, or the cutting, welding or disconnecting of the vehicle's original equipment parts and components. Any upfit device<sup>1</sup> connected to the open ended blunt cut circuits should be fuse protected per the "Wire Gage Table" on page 47

CIRCUIT NO.	WIRE COLOR	CIRCUIT DESCRIPTION	UPFITTER CONNECTION	LOCATION
-------------	------------	---------------------	---------------------	----------

### SEO 6J1 - WIRING PROVISIONS FOR 12 VOLT BATTERY POWER, IGNITION POWER AND SIGNALS

#### X51AX IP AUXILIARY JUNCTION BLOCK RELAYS FOR CUSTOMER CONNECTION

8895	BU/YE	COIL LOW SIDE, RY 1 of 4	IP RY CTR, CONSL, Ry coil grounding		
8896	GN/YE	COIL LOW SIDE, RY 2 of 4	IP RY CTR, CONSL, via customer		
8897	GY/YE	COIL LOW SIDE, RY 3 of 4	IP RY CTR, CARGO switching		
8898	VT/YE	COIL LOW SIDE, RY 4 of 4	IP RY CTR, CARGO		
8911	RD/GN	RELAY 1 CONTACT LOAD SIDE	IP RY CTR, CONSL	F162	25A
8912	RD/GY	RELAY 2 CONTACT LOAD SIDE	IP RY CTR, CONSL	F163	20A
8913	RD/WH	RELAY 3 CONTACT LOAD SIDE	IP RY CTR, CARGO	F166	20A
8914	RD/YE	RELAY 4 CONTACT LOAD SIDE	IP RY CTR, CARGO	F167	25A

#### AUXILIARY BATTERY POWER AND GROUND

842	RD/VT	BATT FUSE 50 AMP	AUX BATT FUSE, CONSL,		
742	RD	BATT FUSE 100 AMP	AUX BATT FUSE, CARGO		
7350	BK - 100 sq mm	GROUND G409	CONSL, CARGO		
7150	BK - 10 sq mm	GROUND G300,	CONSL		

#### VEHICLE SYSTEMS SIGNALS

817	GN/GY	4K PPM SPEED	ECBM, CONSL, CARGO		
2801	VT	INTERRUPTIBLE RETAINED ACCY PWR*	RAP RY, CONSL, CARGO		
4939	VT/WH	RUN/CRNK IGN 1	RUN/CRNK RY, CONSL, CARGO		
8917	BU/BN	DR DOOR AJAR	DOOR AJAR CKT, CONSL, CARGO		
6821	WH/VT	SURVEILLANCE	BCM, CONSL		
820	BN/YE	BRAKES APPLIED	CHMSL, CONSL, CARGO		
5813	YE/BK	PARK ENABLE	TRANS IN PK RY, CONSL, CARGO		
6817	YE	IP DIMMING	BCM, CONSL, CARGO		

\*See page 47 of this guide for detail

#### SEO 6J1/UT7, UT7 - GROUNDS

7150		5 sq mm	GROUND - 60 AMP	CONSL	
7350		10 sq mm	GROUND - 80 AMP	CARGO	

#### STEERING WHEEL SWITCHES

8021	BN/GY	PUSH-TO-TALK	BCM, CONSL, CARGO		
8022	GY/VT	LIGHTS CONTROL	BCM, CARGO		

#### WIRING PROVISION FOR CUSTOMER RADIO MICROPHONE ABOVE DRIVER POSITION.

1850	BK	GROUND	HEADLNR, CONSL, CARGO		
8899	BU/WH	POLICE MIC	HEADLNR, CONSL, CARGO		
8900	BU/VT	POLICE MIC	HEADLNR, CONSL, CARGO		

<sup>1</sup> GM is not responsible for the safety or quality of design features, materials or workmanship of any alterations by third parties.

## UPFIT WIRING HARNESS CIRCUIT<sup>1</sup> IDENTIFICATION BETWEEN FRONT SEATS AND LEFT SIDE CARGO SPACE

Original Equipment Alterations: Limited warranty does not cover any damage or failure resulting from modification or alteration to the vehicle's original equipment as manufactured or assembled by General Motors. Examples of the types of alterations that would not be covered include: installation or use of any non-GM part, accessory, materials, or the cutting, welding or disconnecting of the vehicle's original equipment parts and components. Any upfit device<sup>1</sup> connected to the open ended blunt cut circuits should be fuse protected per the "Wire Gage Table" on page 47

CIRCUIT NO.	WIRE COLOR	CIRCUIT DESCRIPTION	UPFITTER CONNECTION LOCATION
<b>SEO 6J3 - WIRING PROVISION FOR GRILLE LAMPS AND SIREN SPEAKER (BRANCH HARNESS COILED AT GRILLE)</b>			
8855	BN	12V-LED 1	CONSL, CARGO
8856	BN/BU	12V-LED 2	CONSL, CARGO
8857	BK/BN	GROUND	CONSL, CARGO
8858	WH	LED 1, 2 LAMPS SYNC	CONSL, CARGO
8859	BN/YE	STEADY BURN	CONSL, CARGO
8860	WH/BK	SPARE	CONSL, CARGO
8861	GN/WH	SIREN SPEAKER HIGH	CONSL, CARGO
8862	BU/WH	SIREN SPEAKER LOW	CONSL, CARGO
<b>FLASHER SYSTEM, HEADLAMPS AND TAIL LAMPS ALTERNATE FLASHING</b>			
8863	GN	HI BEAM HDLP FLASH ENABLE	ELM, CONSL, CARGO
8864	BU/GN	L/R TAIL LP RED/RED ENABLE	ELM, CONSL, CARGO
8865	GY/GN	L/R TAIL LP RED/WHT ENABLE	ELM, CONSL, CARGO
<b>SEO 6J4 - WIRING PROVISION FOR HORN-SIREN ALTERNATE OPERATION</b>			
28	BN/WHT	CUSTOMER SWITCH CONNECT	LOOP BETWEEN FRONT SEATS
<b>SEO WX7 - WIRING PROVISION FOR CUSTOMER CONNECTION TO FRONT DOOR SPEAKERS</b>			
<b>CIRCUITS FOR CONNECTION OF FRONT DOOR SPEAKERS TO POLICE RADIO</b>			
LH FRT POS	BN/BU	LF DOOR SPEAKER	
LH FRT NEG	BU	LF DOOR SPEAKER	
RH FRT POS	YE/BK	RF DOOR SPEAKER	
RH FRT NEG	YE	RF DOOR SPEAKER	
<b>CIRCUITS RECONNECT RADIO FRONT OUTPUT TO REAR DOOR SPEAKERS</b>			
LH RR POS	GN/BK	TO LH RR SPEAKER	
LH RR NEG	GN	TO LH RR SPEAKER	Wire blunt cuts are positioned
RH RR POS	BU/BK	TO RH RR SPEAKER	between front center seats for
RH RR NEG	WH	TO RH RR SPEAKER	customer connection.
<b>CIRCUITS RECONNECT RADIO OUT TO RR DOOR SPEAKERS</b>			
LH FRT POS	BU/BN	RADIO OUT LF SPEAKER	
LH FRT NEG	BU	RADIO OUT LF SPEAKER	
RH FRT POS	YE/BK	RADIO OUT RF SPEAKER	
RH FRT NEG	YE	RADIO OUT RF SPEAKER	
<b>CIRCUITS ABANDONED WHEN WX7 INSTALLED</b>			
LH RR POS	GN/BK	RADIO OUT LR SPEAKER	
LH RR NEG	GN	RADIO OUT LR SPKER	
RH RR POS	BU/BK	RADIO OUT RR SPKER	
RH RR NEG	WH	RADIO OUT RR SPKER	
<b>RADIO MUTE FEATURE WHEN POLICE RADIO TRANSMITTING</b>			
10137	GY/WH	RADIO MUTE ENABLE	Blunt cut from IP to center floor

<sup>1</sup> GM is not responsible for the safety or quality of design features, materials or workmanship of any alterations by third parties.

## UPFIT WIRING HARNESS CIRCUIT<sup>1</sup> IDENTIFICATION BETWEEN FRONT SEATS (CONSOLE) AND LEFT SIDE CARGO SPACE

Original Equipment Alterations: Limited warranty does not cover any damage or failure resulting from modification or alteration to the vehicle's original equipment as manufactured or assembled by General Motors. Examples of the types of alterations that would not be covered include: installation or use of any non-GM part, accessory, materials, or the cutting, welding or disconnecting of the vehicle's original equipment parts and components. Any upfit device<sup>1</sup> connected to the open ended blunt cut circuits should be fuse protected per the "Wire Gage Table" on page 47

CIRCUIT NO.	WIRE COLOR	CIRCUIT DESCRIPTION	UPFITTER CONNECTION LOCATION
<b>SEO T53 - LIFTGATE LED WARNING LAMPS</b>			
8866	VT	12V LED LAMP	Ckts 8866, 7650, 8867 not available
7650	BK	GROUND	for customer connection.
8867	WH	LH, RH LED SYNC	Liftgate, CONSL, CARGO
8868	VT/YE	STEADY LED FLASH	ELM, CARGO
8869	VT/GN	LIFTGATE ENABLE SWITCH	Ckt 8869 not available for customer connection.
<b>STANDARD T66 - WIRING PROVISION FOR OUTSIDE REARVIEW MIRRORS AND CARGO AREA SIDE WINDOWS</b>			
<b>LH OUTSIDE MIRROR STROBE</b>			
8870	VT	12V LH LED	LH MIRROR, CARGO
8871	BK/VT	LED GROUND	Blunt cut ends to be in door.
8872	WH/VT	LF LED SYNC	
8873	BU/VT	STEADY BURN	
8874	YE/VT	FLASH ENABLE	
<b>LH REAR WINDOW STROBE</b>			
8875	GN	12V RR WDO LED	LH RR WDO, CARGO
8876	BK/GN	LED GROUND	Blunt cut ends to be above and,
8877	WH/GN	LR LED SYNC	forward of rear edge of headliner.
8878	BU/GN	STEADY BURN	
8879	YE/GN	FLASH ENABLE	
<b>RH OUTSIDE MIRROR STROBE</b>			
8880	GY	12V RH LED	RH MIRROR, CARGO
8881	BK/GY	LED GROUND	Blunt cut ends to be in door;
8882	WH/GY	RF LED SYNC	
8883	BU/GY	STEADY BURN	
8884	YE/GY	FLASH ENABLE	
<b>RH REAR WINDOW STROBE</b>			
8885	BN	12V RR WDO LED	RH RR WDO, CARGO
8886	BK/BN	LED GROUND	Blunt cut ends to be above and
8887	WH/BN	RR LED SYNC	forward of rear edge of headliner.
8888	BU/BN	STEADY BURN	
8889	YE/BN	FLASH ENABLE	

<sup>1</sup> GM is not responsible for the safety or quality of design features, materials or workmanship of any alterations by third parties.

## UPFIT WIRING HARNESS CIRCUIT<sup>1</sup> IDENTIFICATION BETWEEN FRONT SEATS AND LEFT SIDE CARGO SPACE

Original Equipment Alterations: Limited warranty does not cover any damage or failure resulting from modification or alteration to the vehicle's original equipment as manufactured or assembled by General Motors. Examples of the types of alterations that would not be covered include: installation or use of any non-GM part, accessory, materials, or the cutting, welding or disconnecting of the vehicle's original equipment parts and components. Any upfit device<sup>1</sup> connected to the open ended blunt cut circuits should be fuse protected per the "Wire Gage Table" on page 47

CIRCUIT NO.	WIRE COLOR	CIRCUIT DESCRIPTION	UPFITTER CONNECTION LOCATION
<b>SEO 7X2, 7X2/7X3 - LED SPOT LAMPS 7X2 LH ONLY, 7X2/7X3 LH &amp; RH</b>			
10240	RD/GN	SECONDARY FUSE	7X2-LH A-PILLAR
1850	BK	GROUND	7X2-LH A-PILLAR
10340	RD	SECONDARY FUSE	7X3-RH A-PILLAR
1850	BK	GROUND	7X3-RH A-PILLAR
<b>SEO 6C7 - AUXILIARY DOME LAMP</b>			
PRIMARY BATT	RD	12v POWER	VIA OVERHEAD CONSOLE
7350	BK	GROUND	

### KEY FOR ACRONYMS AND TERMS

CONSOL = SPACE BETWEEN FRONT SEATS  
 CARGO = CARGO AREA LEFT SIDE  
 IP RY CTR = IP RELAY CENTER ABOVE AND TO RIGHT OF BRAKE PEDAL  
 AUX BATT = AUXILIARY BATTERY AT LEFT SIDE OF CARGO AREA  
 EBCM = ELECTRIC BRAKE CONTROL MODULE  
 4K PPM = 4000 PULSES PER MILE SPEED SIGNAL  
 ACCY = ACCESSORY  
 SURVEILLANCE = ALL AUTOMATIC LIGHTING DISABLED WHEN ACTIVATED  
 PARK ENABLE = PARK RELAY ACTIVATED  
 CHML = CENTER HIGH MOUNTED STOP LAMP; ON WHEN BRAKES APPLIED  
 BCM = BODY CONTROL MODULE  
 ELM = EXTERIOR LIGHT MODULE  
 WDO = WINDOW  
 SYNC = SYNCHRONIZED

### WIRE GAGE TABLE

Amp	CABLE SIZE CROSS SECTIONAL AREA VS AWG	
	mm <sup>2</sup>	AWG
5	0.13	26
7.5	0.22	24
10	0.35	22
15	0.50	20
20	1.00	18
25	1.25	16
30	2.00	14
40	2.50	12
50	4.00	11
60	5.00	10
70	6.00	9
80	8.00	8
100	10.00	7

### INTERRUPTIBLE RETAINED ACCESSORY POWER

The Power Mode Master (PMM) Controls components as needed. If equipped with a Retained Accessory Power (RAP) relay, the BCM controls the Retained Accessory Power with an exception: Interruptible Retained Accessory Power (IRAP) is deactivated during transmitter authentication. During Transmitter Authentication the PMM will deactivate components including IRAP to prevent Radio Frequency (RF) Interference (RFI) that may cause a "NO REMOTE DETECTED" message to be displayed on the drivers information center.

Note: If transmitter Authentication occurs while in Run or Propulsion Modes, it is normal for IRAP to be interrupted momentarily (i.e. items connected to auxiliary power ports or chargers may momentarily go off then come back on). If a remote transmitter was not been previously detected, Transmitter Authentication can occur under any of the following conditions:

- The driver's side front door is opened.
- The driver's side rear door is opened.
- The S38 Vehicle On/Off Switch is pressed.

<sup>1</sup>. GM is not responsible for the safety or quality of design features, materials or workmanship of any alterations by third parties.

## OPERATION-DESCRIPTION OF SEO WIRING FEATURES

Refer to UPFIT WIRING CIRCUITS CHART for circuit wire numbers and colors

### RELAY CONTROLLED 12 VOLT BATTERY POWER

A relay and fuse block (X51B) is located in the left instrument panel above the brake pedal. Four relays are provided for customer connection to 12 primary battery power. The relay coils are fused at 10 amps and are operated via connection to the coil ground side circuits in the upfitter harness branches between front seats or in the cargo area. Also in the upfitter harness branches are circuits for connection to the relay contact load sides. The relays are powered by the primary battery located in the engine compartment UBEC. Customer load is connected to the fused relay contact circuits (circuits chart 8911-8914). Power and ground from the Auxiliary Battery are located in the CONSOL upfitter branch (60 amp) and the CARGO area (80 amp).

### VEHICLE SYSTEMS CIRCUITRY

The following Vehicle Systems Circuits are found in the upfitter branch harnesses between the front seats (CONSOL) and at the left side of the CARGO area:

817, Vehicle Speed Signal - 4000 pulses per mile square wave.

2801, Interruptible Retained Accessory Power\* - 12 v when ignition in Accessory position. Times off after 10 minutes.

4939, Run-Crank, Ignition - 12 v when engine is being cranked or running.

8917, Driver Door Ajar - Ground from door latch switch when driver door is open.

6821 Surveillance - BCM calibration. Grounding the circuit disables all automatic lighting.

820, Brakes Applied - 12 v available when service brakes applied. 12 v Not confirmed

5813, Park Enable - 12 v available when transmission in Park.

6817, I P Dimming - Calibration for IP lighting dimming when circuit is grounded. Not confirmed

\* See page 47 of this guide for detail

### SEO 6J3 -WIRING PROVISION FOR GRILLE LAMPS AND SIREN SPEAKER OPTIONAL

Circuits for wiring grille lamps and a siren speaker are located in the CONSOL and CARGO area upfitter branch harnesses and are listed in the UPFIT WIRING CIRCUITS chart (circuits 8855-8862). A wiring harness is coiled at the radiator for connection to the customer provided front emergency lamps and siren speaker.

### SEO 6J4 - WIRING PROVISION FOR HORN-SIREN ALTERNATE OPERATION OPTIONAL

A single wire loop is connected to the instrument panel wiring and located near the CONSOL upfitter branch harness. The wire can be connected to a steering wheel switch or other customer provided switch to operate the siren with the steering wheel horn button in place of the vehicle horn.

### STEERING WHEEL SWITCHES

The steering wheel is equipped with switches for police radio or siren speaker Push-to-Talk and a switch for emergency lighting control.

### WIRING PROVISION FOR POLICE RADIO MICROPHONE

Wiring circuits are included in the CONSOL and CARGO upfitter branch harnesses to connect to customer-provided police radio speakers mounted in the vehicle headliner (circuits 1850, 8899-8900).

### SEO WX7 - WIRING PROVISION FOR CUSTOMER CONNECTION OF TO FRONT DOOR SPEAKERS

Wiring circuits are provided near the CONSOL upfitter branch harness to permit customer-installed communication equipment to be connected to the front door speakers; see circuit chart for wire colors. The vehicle radio front speaker outputs are re-routed to the rear door speakers to maintain the required door open, key-in-ignition seat belt and other audible warnings. A vehicle radio mute circuit is included.

## OPERATION-DESCRIPTION OF SEO WIRING FEATURES

### **SEO 6J7 – FLASHER SYSTEM, HEADLAMPS AND TAIL LAMPS ALTERNATE FLASHING.**

---

Calibrations are available to alternately flash the headlamp high beams and either the tail lamps alternately Red-White or alternately Red-Red (circuits 8863-8865). Selecting High Beam or applying service brakes overrides flashing.

### **SEO T53 – LIFTGATE WARNING LAMPS**

---

LED lamps are mounted at the bottom of the rear liftgate and are enabled to flash red when the lift gate is opened. Customer must locate and connect a grounding wire found near an opening in the lift gate trim near the right warning lamp to enable the flash when the lift gate is opened. A switch is provided in glove box and is to be customer-installed to a connector located near the right warning lamp to permit disabling the lamps when the lift gate is open (8868 for steady flashing).

### **7X2/7X3 LED spot lamps**

---

Windshield pillar grab-handles are removed and alternate trim installed.

## WIRING SCHEMATIC INDEX

### STANDARD:

- **50EA Fuse Block Auxiliary Battery**
- **51AX Junction Block Instrument Panel Auxiliary**
- **Vehicle Systems Signals (1 of 2, 2 of 2)**
- **LH and RH Wiring Provisions For Outside Mirror and Rear Quarter Windows Strobes**
- **Steering Wheel Switches**
- **Radio Microphone Provisions**
- **Headlamps and Rear Lamps Flashing System Provisions**

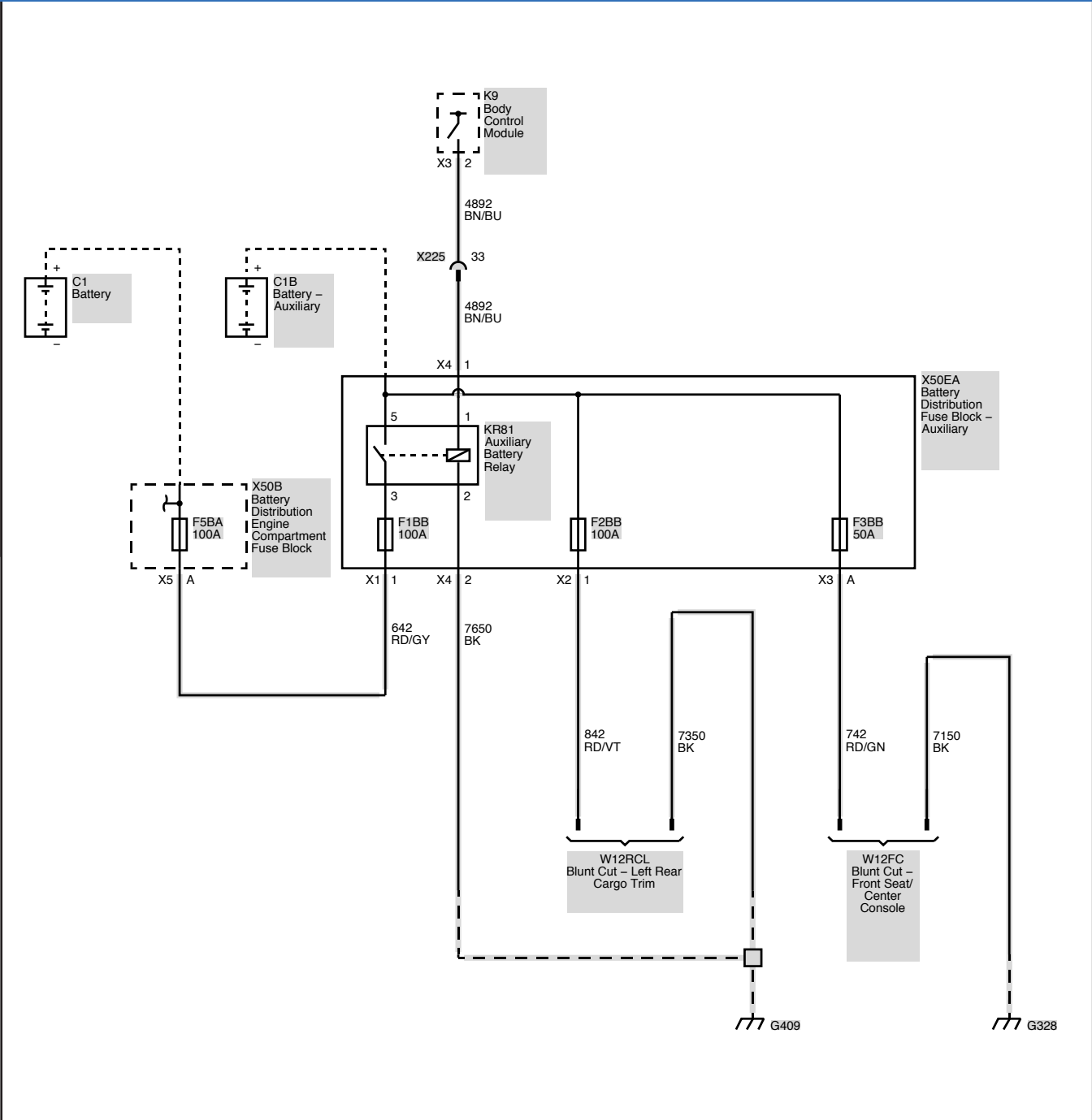
### OPTIONAL:

- **6J3 - Grille Lamps and Siren Speaker Wiring Provisions**
- **WX7 - Front Door Speakers Wiring Provisions**
- **6J4 - Horn and Siren Control Provision**
- **T53 Liftgate Warning Lamps**
- **7X2-7X3 - LED Spotlamps**
- **6C7 - Auxiliary Dome Lamp**



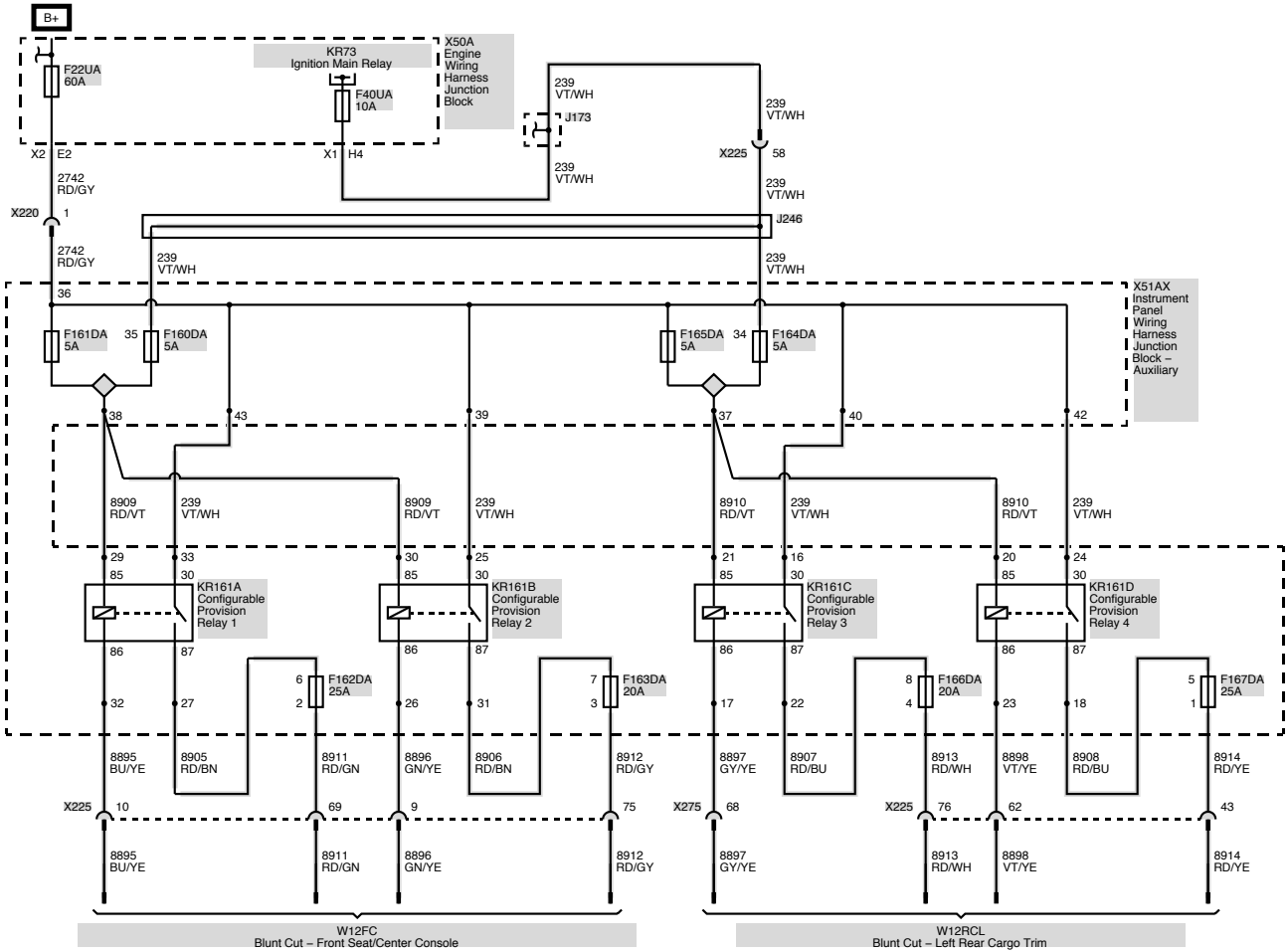
# WIRING

## 50EA FUSE BLOCK AUXILIARY BATTERY



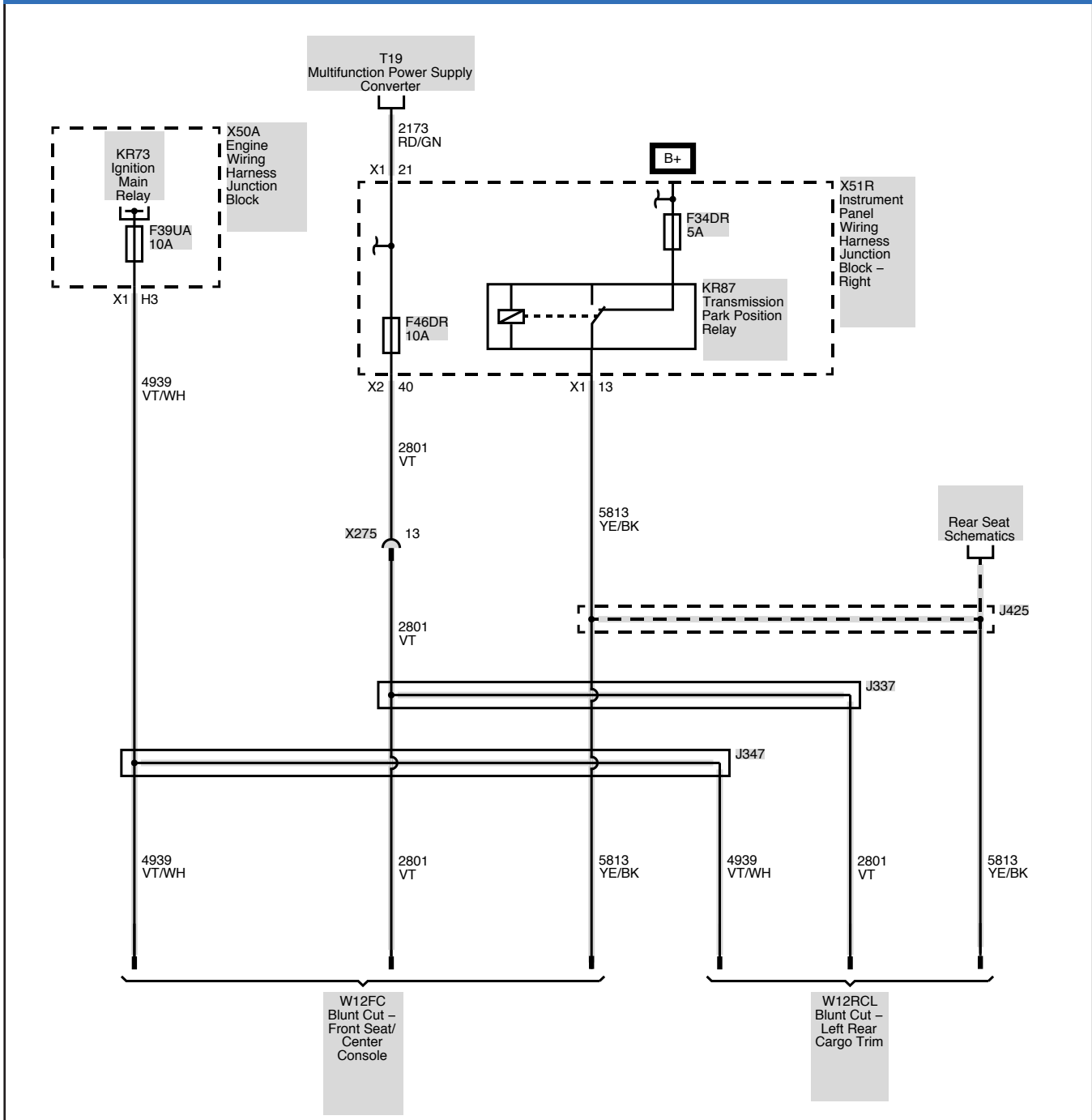
# WIRING

## X51AX JUNCTION BLOCK INSTRUMENT PANEL AUXILIARY



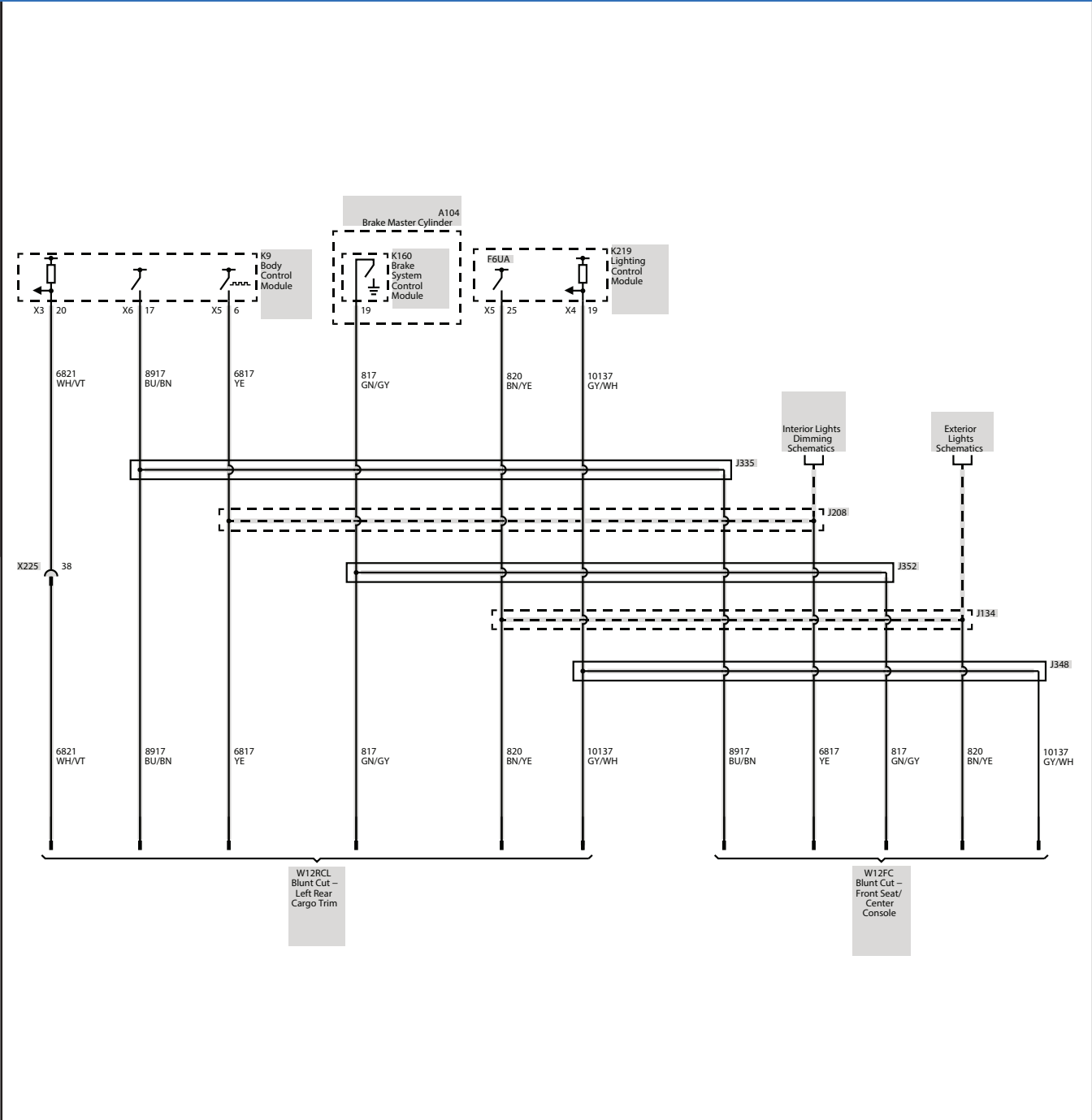
# WIRING

## VEHICLE SYSTEMS SIGNALS (1 of 2)



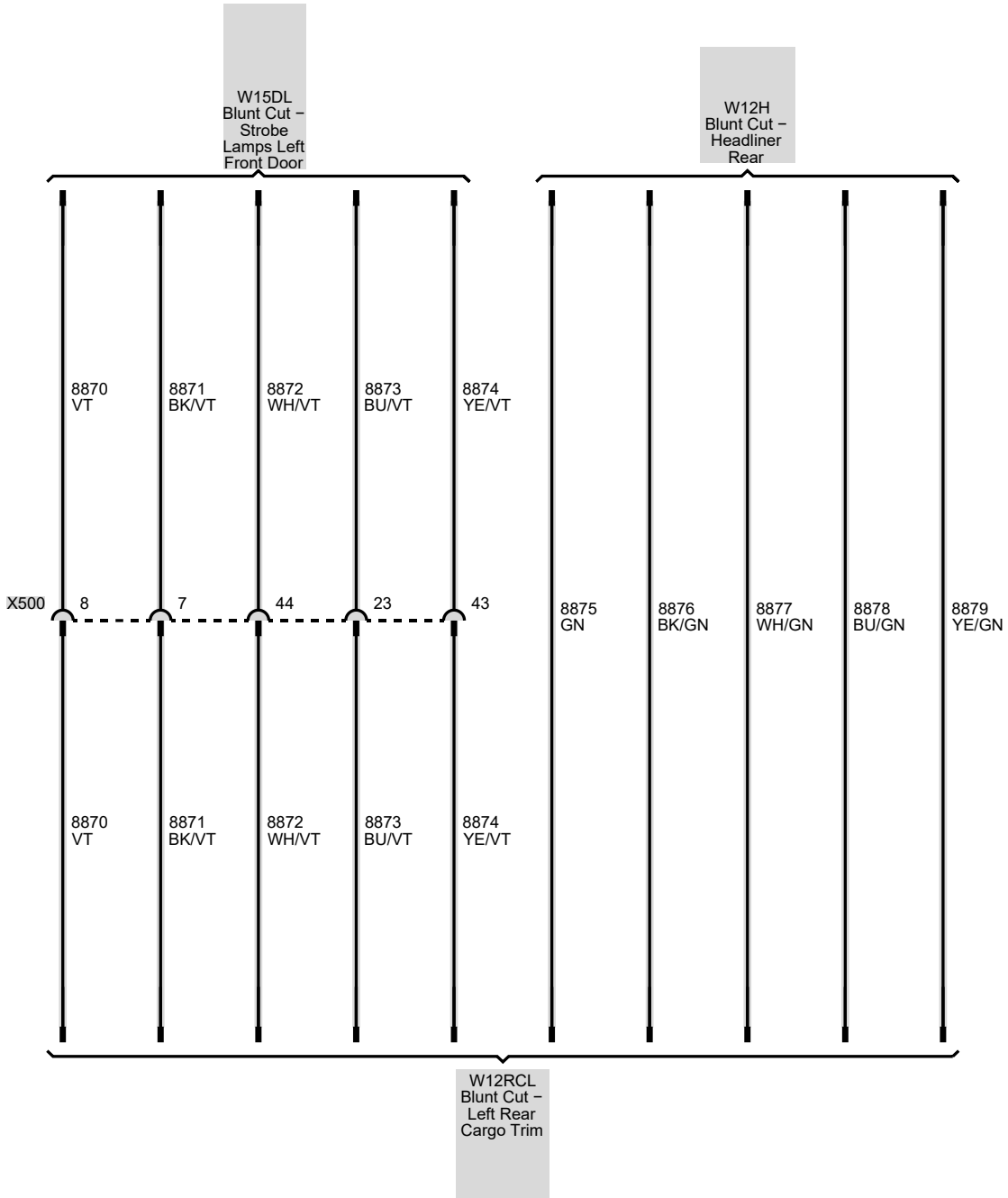
# WIRING

## VEHICLE SYSTEMS SIGNALS (2 of 2)



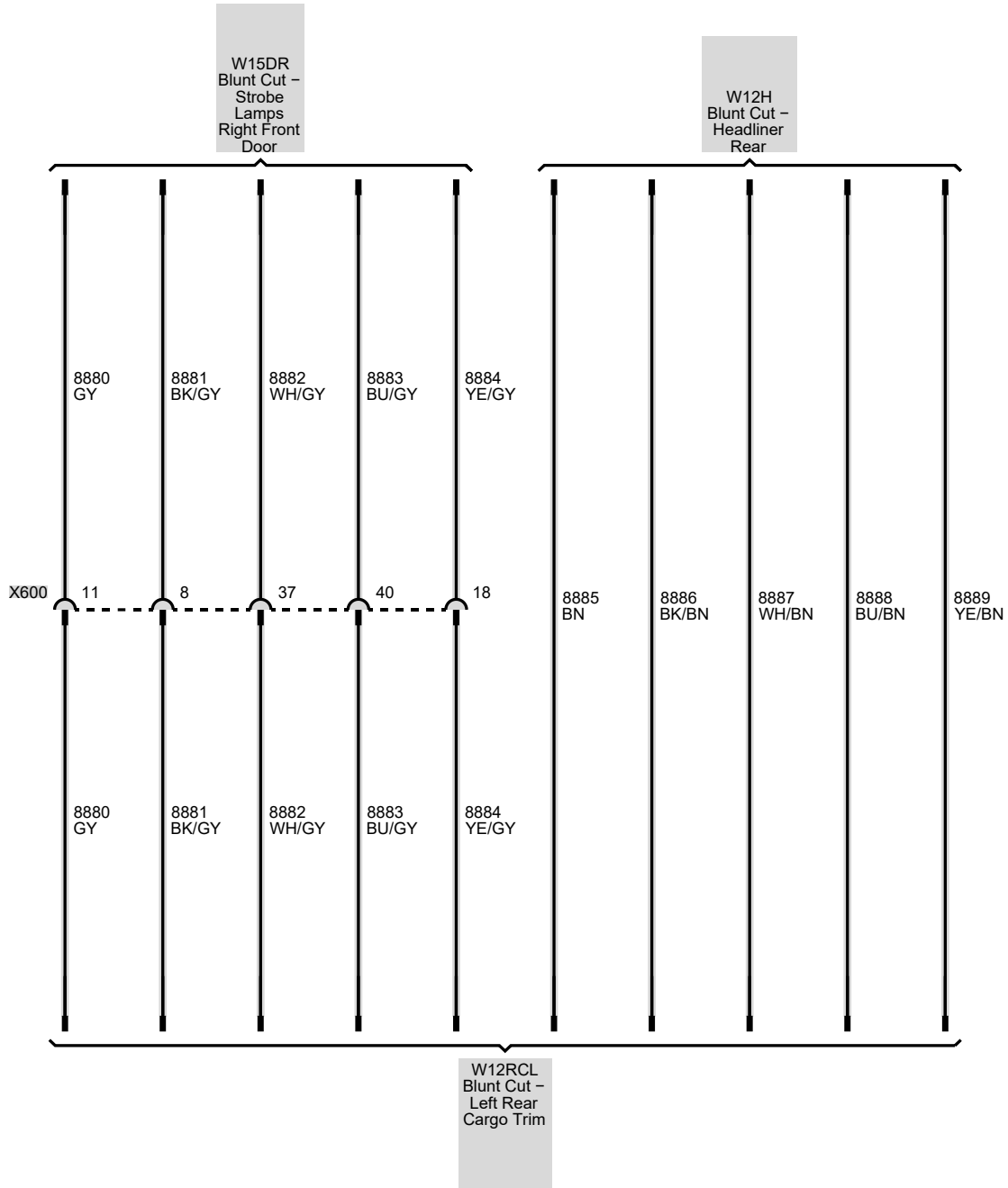
# WIRING

## T66 - OUTSIDE REARVIEW MIRROR AND REAR WINDOW STROBE PROVISION - LEFT



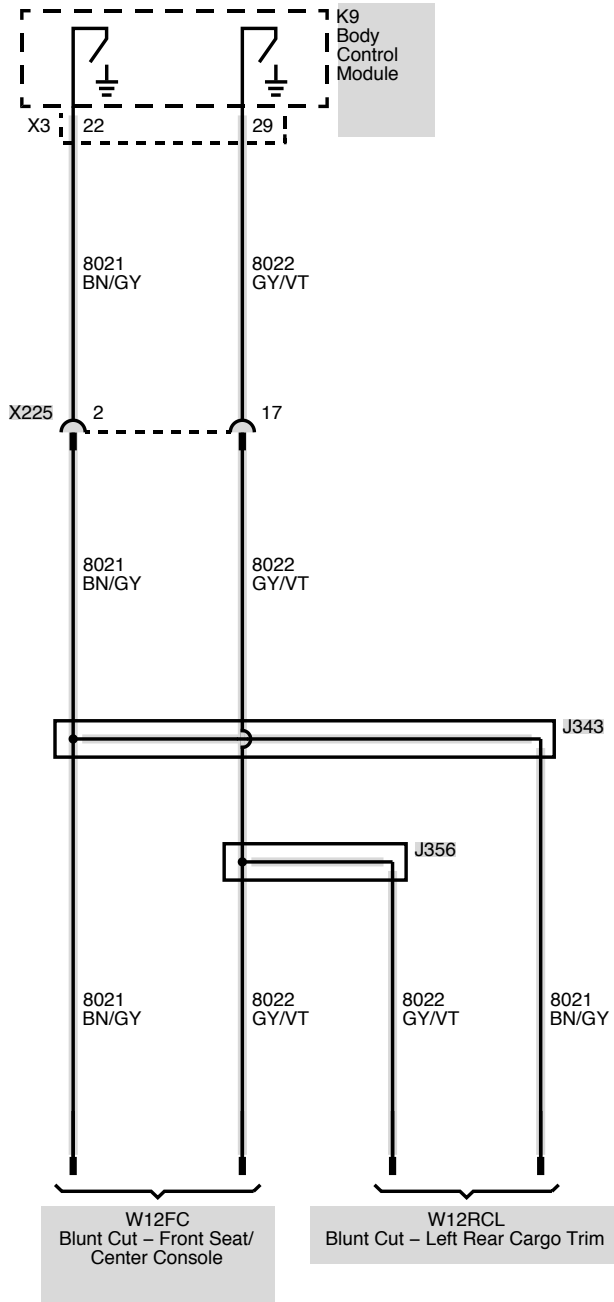
# WIRING

## T66 - OUTSIDE REARVIEW MIRROR AND REAR WINDOW STROBE PROVISION - RIGHT

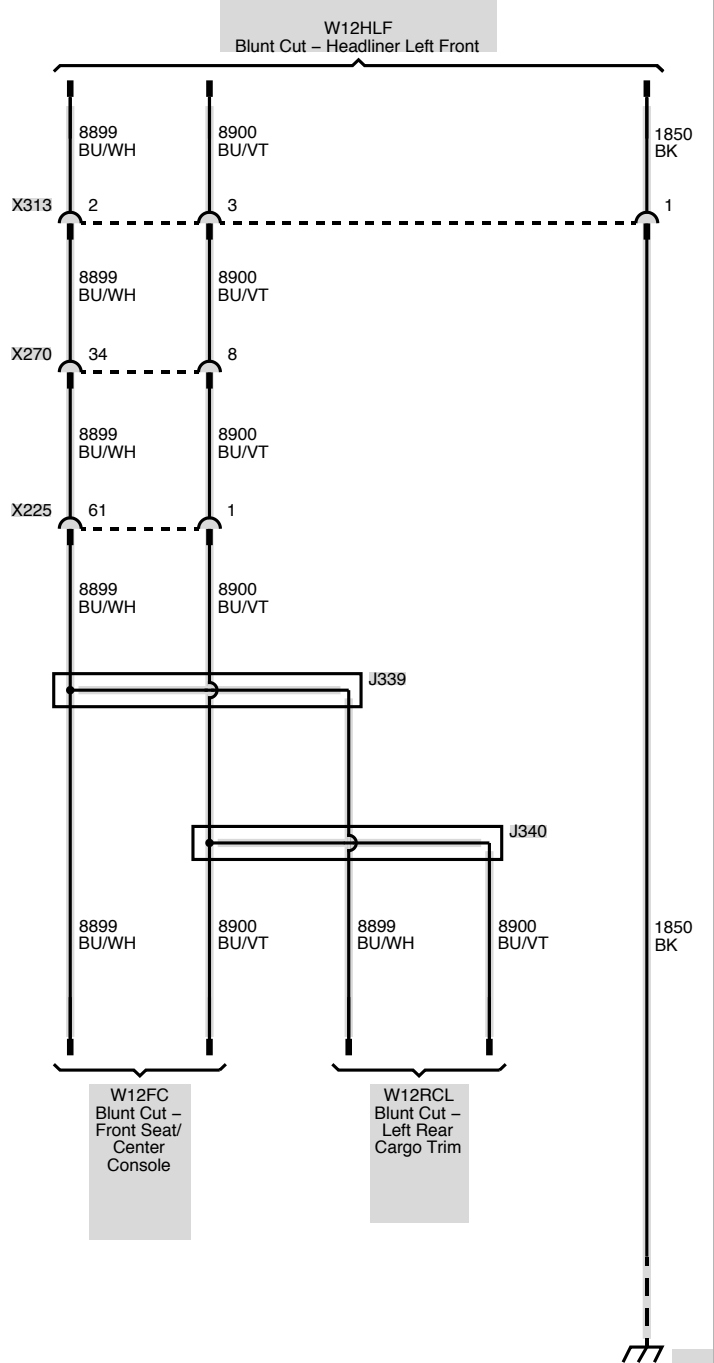


# WIRING

## STEERING WHEEL SWITCHES

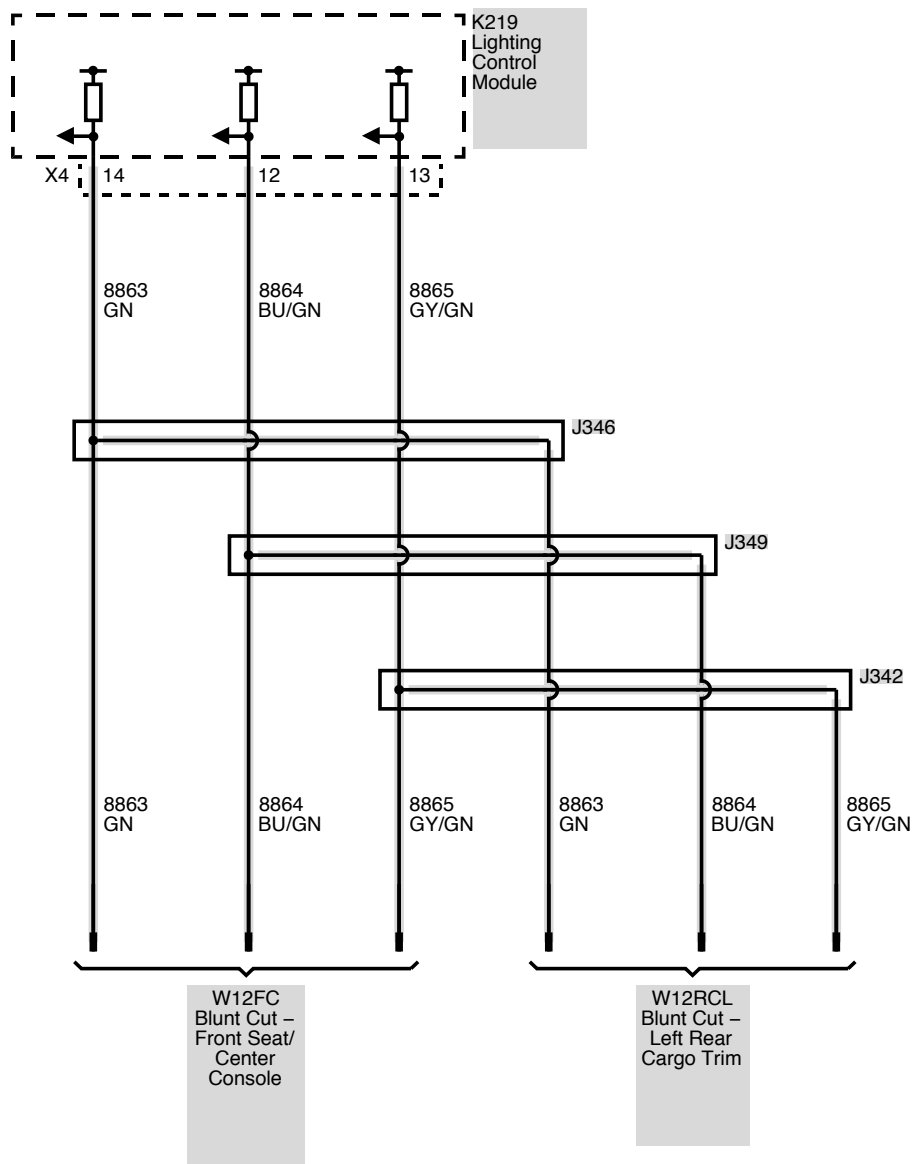


## RADIO MICROPHONE PROVISIONS



# WIRING

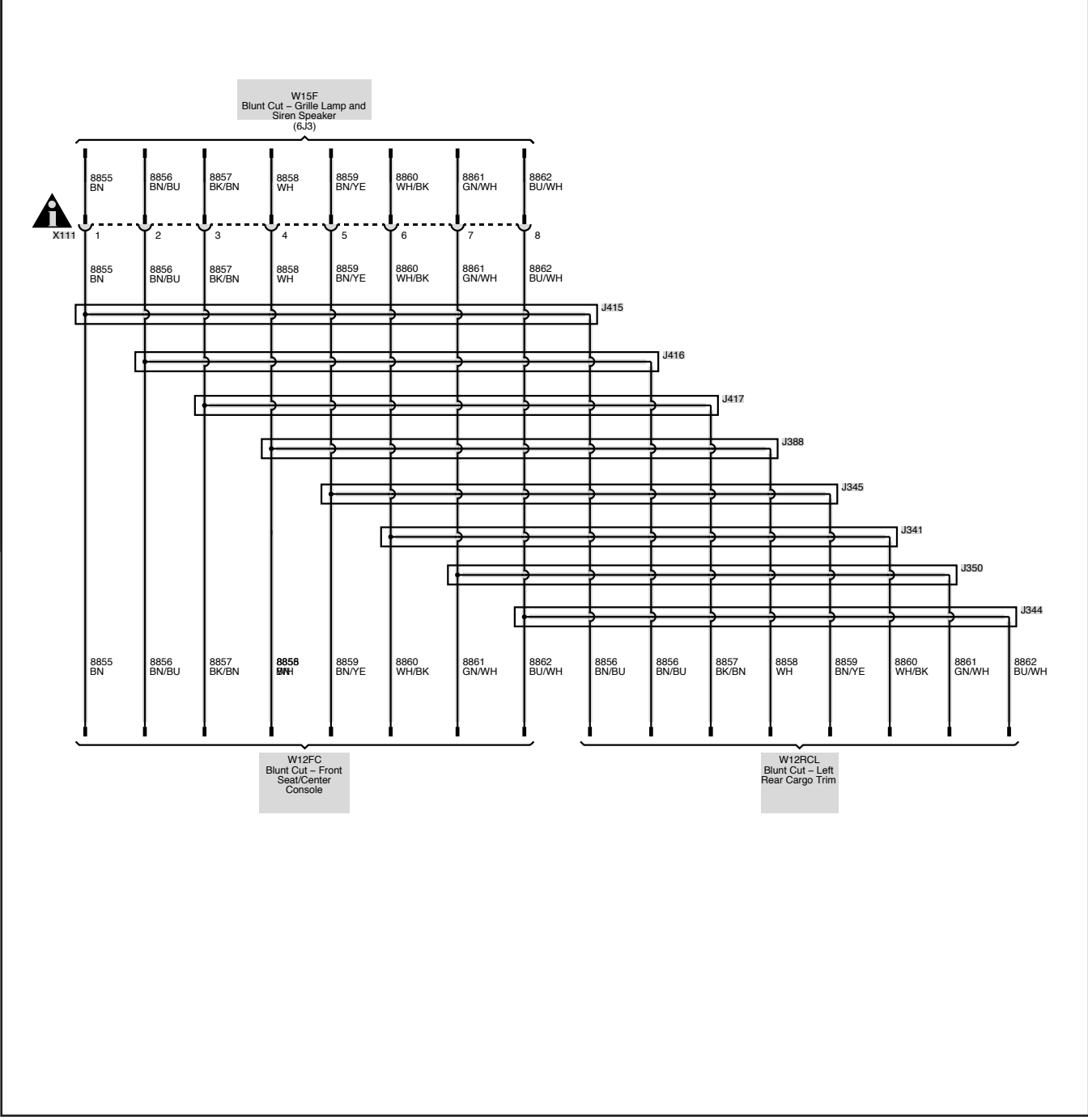
## 6J7 - HEADLAMPS AND REAR LAMPS FLASHING SYSTEM PROVISIONS





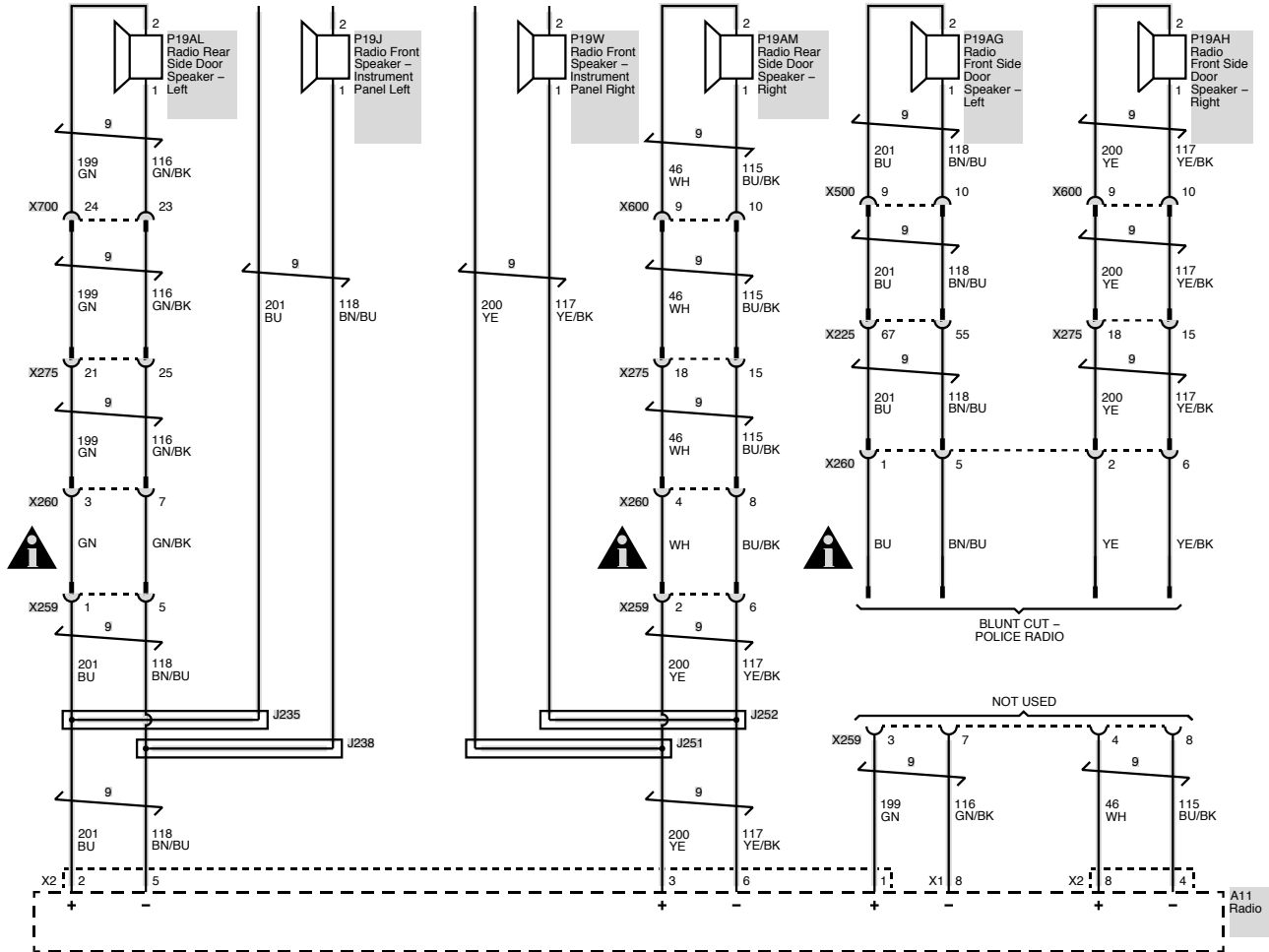
# OPTIONAL WIRING

## 6J3 - GRILLE LAMPS AND SIREN SPEAKER PROVISIONS



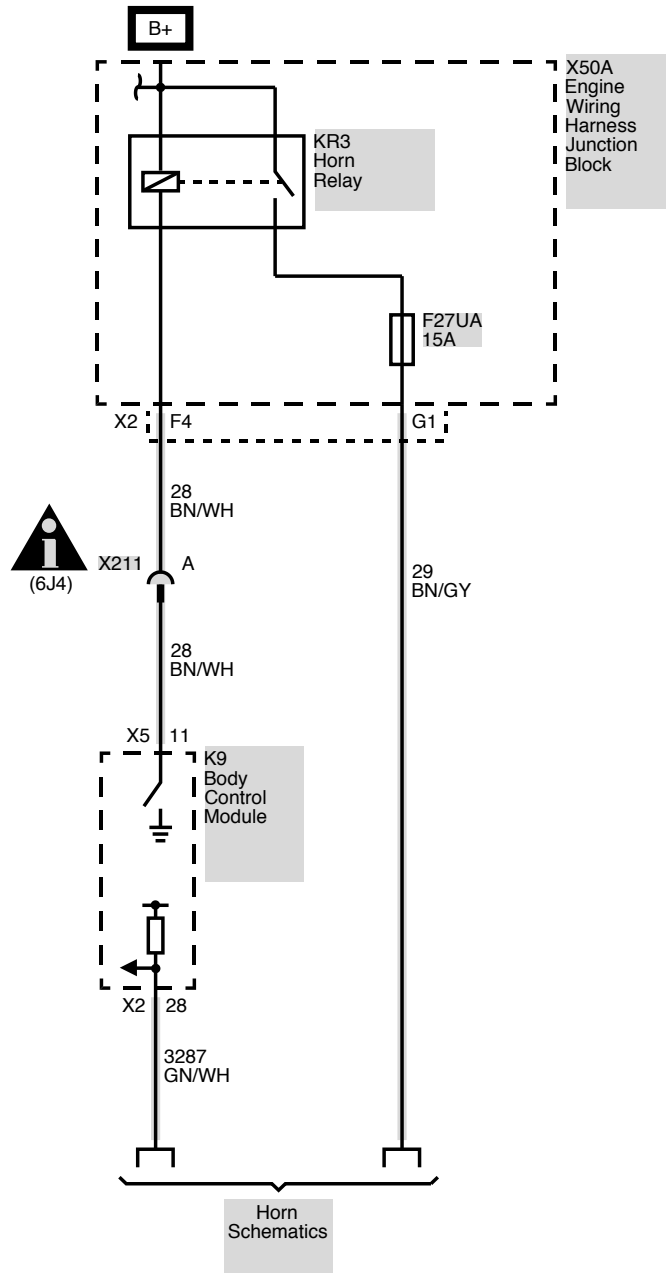
# OPTIONAL WIRING

## WX7 FRONT DOOR SPEAKERS PROVISIONS



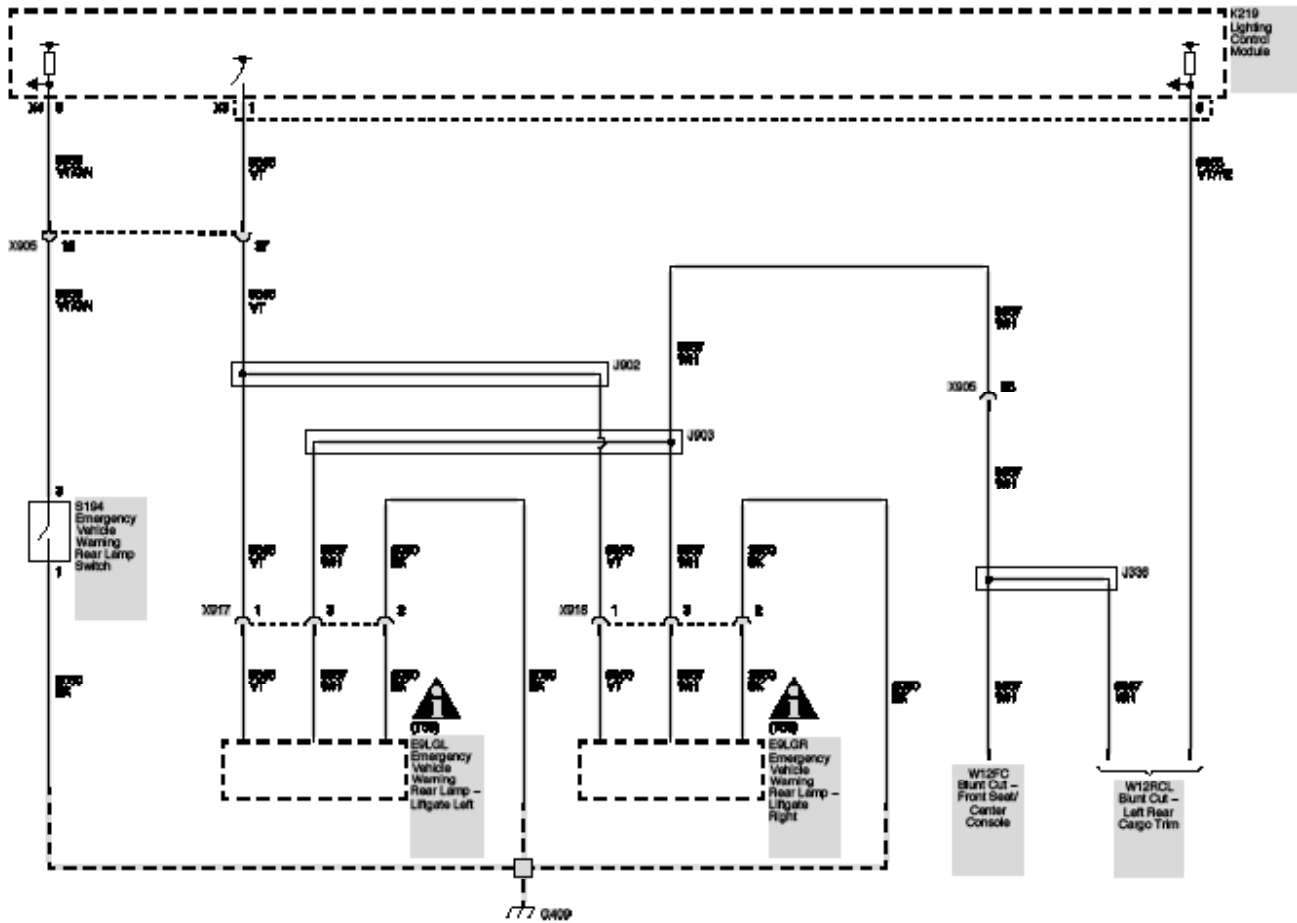
# OPTIONAL WIRING

## 6J4 - HORN AND SIREN CONTROL PROVISION



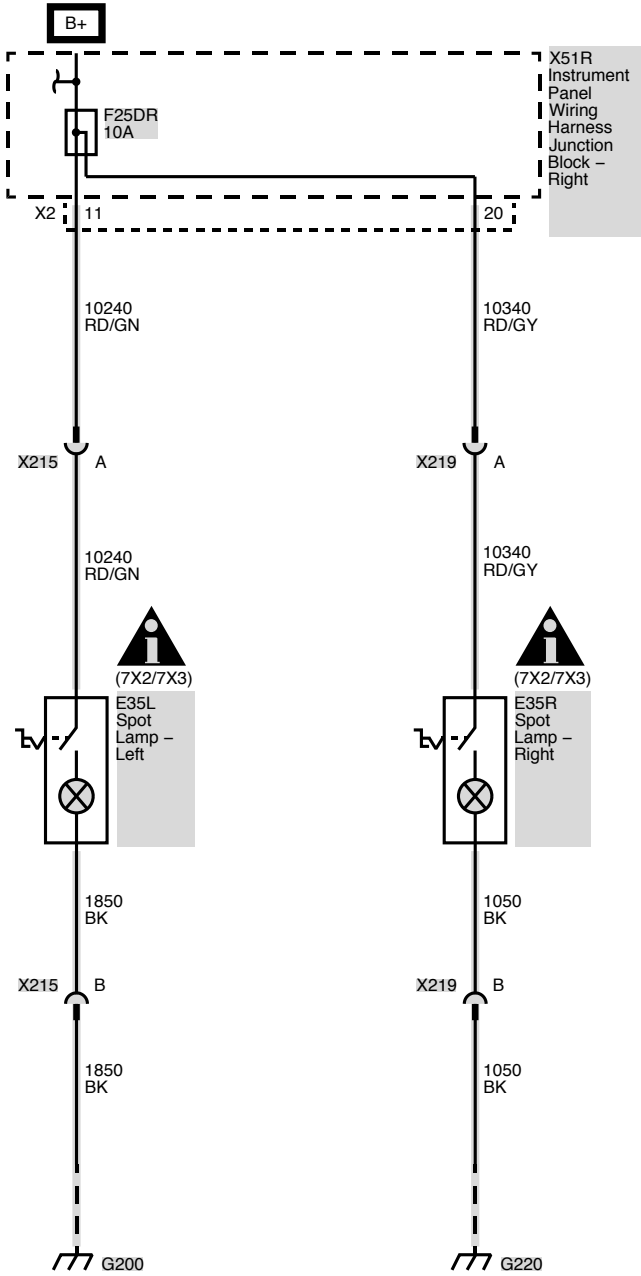
# OPTIONAL WIRING

## T53 - LIFTGATE WARNING LAMPS

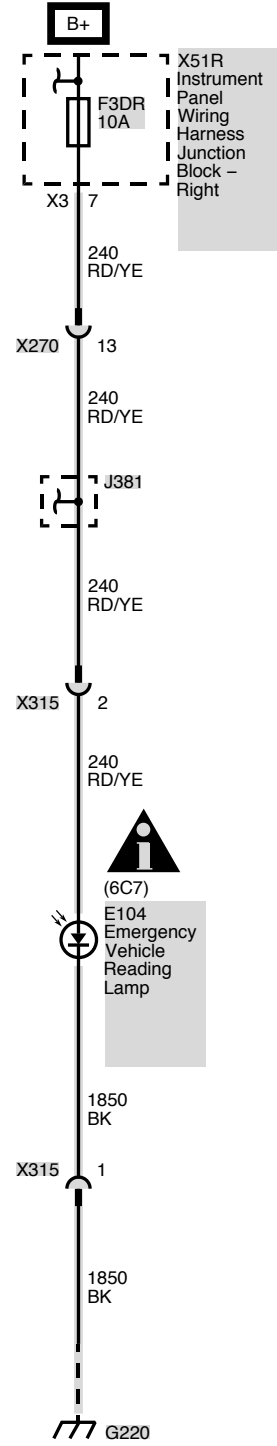


# OPTIONAL WIRING

## 7X2-7X3 LED SPOT LAMPS



## 6C7 - AUXILIARY DOME LAMP



# STABILITRAK

**Stabilitrak systems help drivers maintain control of their vehicles, especially during emergency lane changes or avoidance maneuvers. Stabilitrak uses various sensors, such as steering wheel angle, wheel speed, yaw velocity, etc., to detect any difference between the path requested by the steering wheel position and vehicle's actual path. When appropriate, the system selectively controls brakes, engine power, and even suspension settings to enhance control of the vehicle's direction and help keep it on course. See your owner's manual for additional information about the operation of Stabilitrak.**

## **Q. How do I use Stabilitrak?**

A. Stabilitrak operates independently of the driver. You should continue to drive your Stabilitrak equipped vehicle with caution and care. GM's Stabilitrak system, Stabilitrak is designed to be as seamless as possible in operation, and part of the overall vehicle response.

## **Q. How does Stabilitrak work?**

A. Stabilitrak has the ability to apply control forces to the vehicle independent of the driver. Stabilitrak uses sensors to continuously compare the path indicated by the steering wheel position to the vehicle's actual path. If a discrepancy is detected, Stabilitrak selectively controls vehicle brakes and engine torque to create a yaw moment that helps restore the vehicle's actual path to the path indicated by the steering wheel position. Stabilitrak has the ability to help correct both understeer (where the vehicle is not turning as much as the steering wheel position indicates) and oversteer (where the vehicle is turning more than the steering wheel position indicates).

## **Q. Will a tire change affect Stabilitrak?**

A. Use of tires other than original equipment may affect Stabilitrak performance. Stabilitrak is designed to make the best use of available traction. The performance characteristics of the original equipment tires are part of the overall system effectiveness. When you replace tires check the recommendations in your owner's manual. On GM vehicles, the original equipment tires have a "TPC" (Tire Performance Criteria) code on the sidewall. Replacing the tires with the same "TPC" code will help assure proper Stabilitrak performance.

# TRACTION CONTROL

## **An advanced computer controlled stability**

Enhancement system assists the driver with directional control of the vehicle in difficult driving conditions. Each time the vehicle is started, the Stabilitrak system is fully on. Stabilitrak can be controlled by a Traction Control Button. The condition system is displayed by a Stabilitrak indicator light and Driver Information Center (DIC) Message. Push once to disable Traction Control. Push and hold to disable both Traction Control and Stabilitrak. In this condition, Stabilitrak will automatically turn ON when the vehicle speed exceeds 35 mph (56km/hr) while the Traction Control remains OFF. Push again to enable Traction Control and Stabilitrak.

## VEHICLE LOAD LIMITS

This information is intended for those who intend to install additional equipment on the police vehicle after it has left the factory, and for those who will be driving and loading the vehicle with passengers and/or cargo. Two labels on your vehicle show how much weight it was designed to carry, the Tire and Loading Information label and the Certification/Tire label. These labels are attached to your vehicle and give you the maximum load capacity, the Gross Vehicle Weight Rating (GVWR) and the Gross Axle Weight Rating (GAWR) for your vehicle. See "Vehicle Load Limits" in the owner manual Index for additional loading information.

The following guidelines can help you with proper loading and load distribution when installing additional equipment on the Tahoe Special Service Package.

### **WARNING**

**DO NOT LOAD THE VEHICLE ANY HEAVIER THAN THE GROSS VEHICLE WEIGHT RATING (GVWR), NOR EITHER THE MAXIMUM FRONT OR REAR GROSS AXLE WEIGHT RATING (GAWR). THIS CAN CAUSE SYSTEMS TO BREAK AND CHANGE THE WAY THE VEHICLE HANDLES. THIS COULD CAUSE LOSS OF CONTROL AND A CRASH. OVERLOADING CAN ALSO SHORTEN THE LIFE OF THE VEHICLE.**

### **ADDING EQUIPMENT TO YOUR VEHICLE**

Before adding accessories or equipment to your police vehicle, there are some things you need to know

- The police vehicle's maximum capacity weight (payload). The weight of your police vehicle, including a full tank of fuel but without a driver and passengers.
- The weight of items you plan on adding to your police vehicle, like roof mounted light bar(s), push bumpers, security barrier(s), rear storage organizer, highway flares, fire extinguishers, weapons, ammunition, radios, and video equipment.
- The weight and number of passengers you intend to carry in your vehicle.
- The total weight of any additional cargo you intend to carry in your vehicle.

When planning your vehicle equipment installation remember not to exceed the Gross Vehicle Weight Rating (GVWR) or the Gross Axle Weight Rating (GAWR) of the front or rear axles. To keep the available load weight less than the vehicle capacity weight, you may need to limit the number of passengers you carry in your vehicle or change your choice of additional equipment. Towing a trailer may change the vehicle payload capacity.

### **CENTER OF GRAVITY (CG)**

A vehicle's center of gravity is an imaginary location inside the vehicle and is a balance point for the vehicle mass as it moves down the road. The police vehicle's center of gravity, before you add a load and passengers, is approximately midway between the center of the axles, up from the ground to just below the front window, and between the driver and passenger. Equipment location and weight on the vehicle's center of gravity is important to keep in mind when planning an installation. Heavy equipment should be positioned as low and as far forward in the rear load compartment as possible. Try to mount the equipment below the bottom of the side windows. Refer to the Loading Zone chart and diagram to help with your installation plan.

A procedure to make the necessary measurements and formulas to calculate the vehicle longitudinal, lateral and vertical position of the center of gravity can be found in the GM Coachbuilders Manual.

Equipment required to conduct the measurements for calculating the center of gravity are:

- Weight scales of sufficient capacity to measure the vehicle weight at each wheel.
- A post type hoist or other means to safely elevate the front of the vehicle to at least an angle of 20 degrees above horizontal.

See your GM dealer to get more information about this coachbuilder procedure.

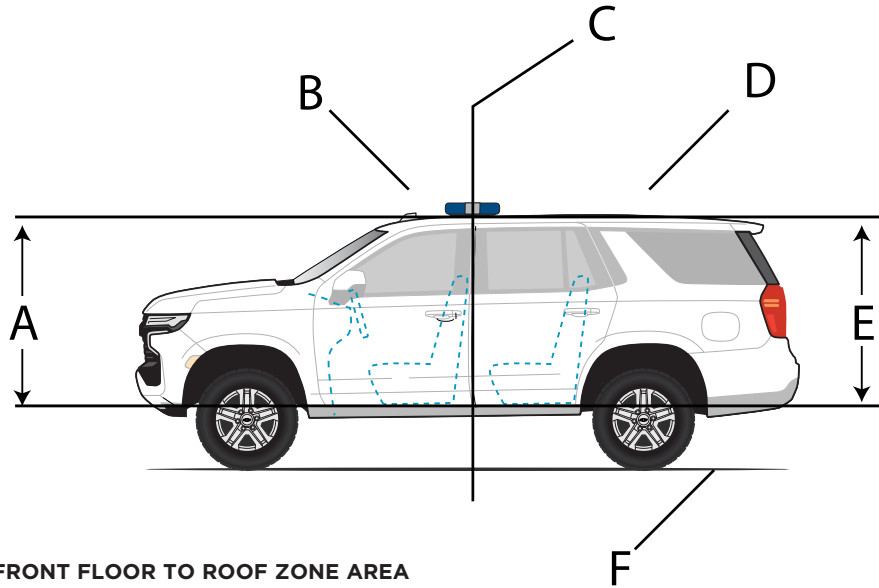
Keeping the center of gravity midway between the axles is also important to provide proper braking performance. About half the total vehicle weight on each axle is recommended.

Weigh your vehicle after the additional equipment has been installed to determine the actual weight of your vehicle. Weigh the vehicle with a full tank of fuel and without passengers. You may need to put a limit on how many people or other equipment you can carry inside your vehicle after the additional equipment has been installed.

**Note: See loading zone weight chart and diagram**

# LOADING ZONES

**Loading zones for customer installed equipment and cargo with six occupants  
Refer to your vehicle tire placard for Vehicle Seating Capacity and Payload Capacity  
(Occupants + Cargo) Weight**



- A. FRONT FLOOR TO ROOF ZONE AREA
- B. FRONT ROOF ZONE AREA
- C. BACK OF FRONT DOOR
- D. REAR ROOF ZONE AREA
- E. REAR FLOOR TO ROOF ZONE AREA
- F. GROUND

## LOADING ZONE WEIGHT CHART FOR SPECIAL SERVICE 5W4 TAHOE 4X4

LOADING ZONES	FRONT AXLE WEIGHT	REAR AXLE WEIGHT	TOTAL
ROOF	41 LBS (19 KG)	58 LBS (26 KG)	99 LBS (45 KG)
FLOOR TO ROOF	150 LBS (68 KG)	596 LBS (270 KG)	746 LBS (338 KG)
<b>TOTAL</b>	<b>191 LBS (87 KG)</b>	<b>654 LBS (396 KG)</b>	<b>845 LBS (383 KG)</b>

**NOTE:**

**CARGO WEIGHT CAN BE GREATER WITH FEWER OCCUPANTS. TOWING A TRAILER MAY CHANGE VEHICLE PAYLOAD**

**REFER TO YOUR OWNER'S MANUAL SUPPLEMENT FOR DETERMINING MAXIMUM CARGO LOADING AND POSITIONING.**

**USING HEAVIER SUSPENSION COMPONENTS TO GET ADDED DURABILITY MIGHT NOT CHANGE YOUR WEIGHT RATINGS AND MAY AFFECT THE VEHICLE PERFORMANCE AND HANDLING CHARACTERISTICS.**

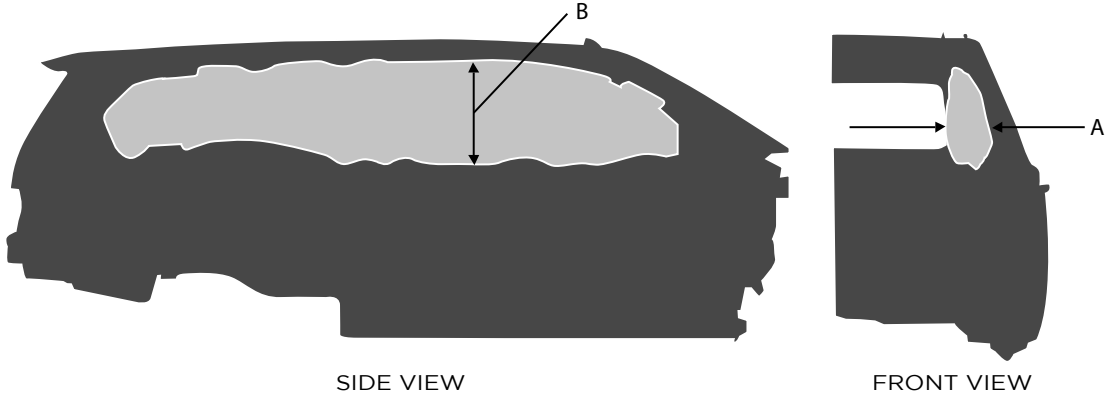
**HIGH SPEED OPERATIONS SHOULD NOT BE ATTEMPTED WITH AN IMPROPERLY OR OVERLOADED VEHICLE OR WHILE TOWING A TRAILER.**

**YOUR GM DEALER CAN PROVIDE HELP WITH PROPERLY LOADING YOUR VEHICLE.**



# AIRBAGS

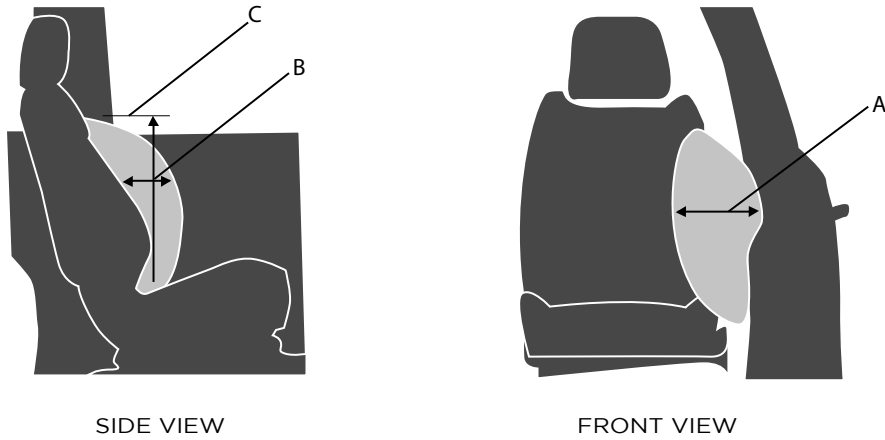
## TAHOE HEAD-CURTAIN AND FRONT SEAT SIDE IMPACT AIRBAGS



### HEAD CURTAIN AIRBAG

DRIVER SIDE SHOWN - PASSENGER SIDE SIMILAR

- A. AIRBAG WIDTH 10.6IN / 270MM
- B. AIRBAG HEIGHT 19.7 IN / 500MM



### FRONT SEAT SIDE IMPACT AIRBAG

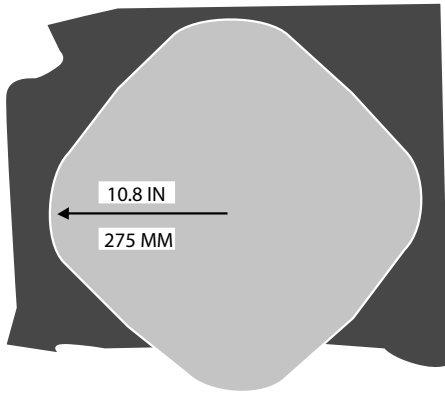
DRIVER SEAT SHOWN - FRONT OUTBOARD PASSENGER SIMILAR

- A. AIRBAG WIDTH 7.9IN / 201MM
- B. SEAT & AIRBAG FORWARD TRAVEL 6.6IN / 167MM
- C. AIRBAG HEIGHT 19.7IN / 500MM

Sitting too close to an airbag when it deploys can increase the risk of serious injury or death. Always properly wear your seat belt. See Owner's Manual for more information.

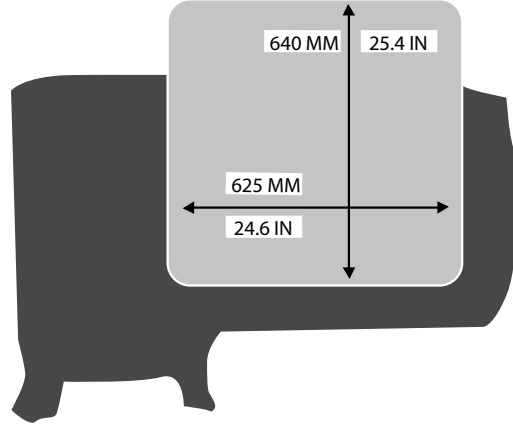
# AIRBAGS

## TAHOE FRONTAL AIRBAGS



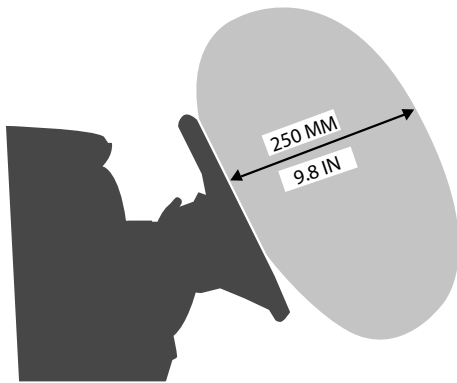
**STEERING WHEEL DRIVER AIRBAG**

VIEW FROM DRIVER SEAT



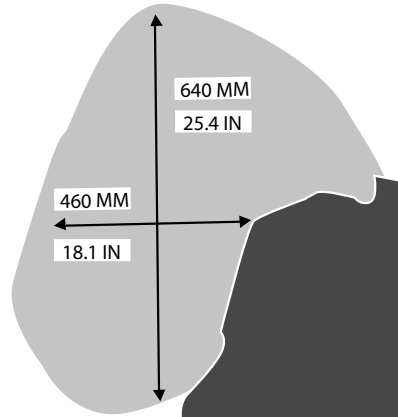
**FRONT OUTBOARD PASSENGER AIRBAG**

VIEW FROM PASSENGER SEAT



**STEERING DRIVER AIRBAG**

VIEW FROM DRIVER SIDE



**FRONT OUTBOARD PASSENGER AIRBAG**

VIEW FROM PASSENGER SIDE

Sitting too close to an airbag when it deploys can increase the risk of serious injury or death. Always properly wear your seat belt. See Owner's Manual for more information.

## AIRBAGS FAQ

**Q: Can equipment such as radar devices, video cameras, and radio trees be mounted in a specialty vehicle equipped with a right front passenger frontal airbag?**

A: Yes, but care must be taken to properly mount the equipment outside of the airbag "deployment zone."

**Q: What is the airbag "deployment zone"?**

A: The term "deployment zone" describes the space an airbag takes up when fully inflated. Airbags need room to work properly, and anything in the "deployment zone" – such as improperly mounted equipment – can greatly affect the performance of the airbag.

**Q: How can I identify the airbag "deployment zone" in my vehicle?**

A: See Airbag Deployment Diagrams for more information. The diagrams provide the approximate dimensions of the "deployment zones" for your specialty vehicle. Before doing any service work, including the installation of any equipment, consult the appropriate service manual.

**Q: Is it possible to shield equipment so it does not interfere with airbag deployment?**

A: While shielding may protect certain equipment from being damaged or dislodged, it may also negatively affect how an airbag inflates. Therefore, we do not recommend the placement of any equipment in the deployment zone, even if shielded.

**Q: Can the installation of push bumpers on the front end of the vehicle affect the deployment of the airbag?**

A: It is not likely that installing push bumpers will affect deployment for the airbag as long as the vehicle structure itself is not modified. GM is not aware of any adverse defects effect on the deployment of the front airbags due to use of many aftermarket push bumpers installed on current GM police vehicles

See "Adding Equipment to the Airbag-Equipped Vehicle" in the owner manual for more information.

### Customer-Installed Equipment

Before installing equipment, read the following.

Airbags inflate with great force, faster than the blink of an eye. No objects, such as shotguns, should be placed over or near the airbag covers. Equipment mounted too close to an inflating airbag could prevent the airbag from operating properly to protect the occupants or could be forced into an occupant or break and become a dangerous projectile, causing severe injury or even death. To help prevent injury and to allow the airbag to perform as it was designed, do not mount equipment inside the airbag deployment zones.

Do not attach anything to the steering wheel hub or mount any equipment within the deployment zone for the driver airbag.

Do not mount equipment on the passenger side of the instrument panel top pad deployment zone. Equipment should not be mounted on or around the passenger airbag opening because of a deploying airbag. To allow the airbag to perform as it was designed, do not mount equipment inside the airbag deployment zone.

Do not mount a security barrier such that the ends of the barrier or brackets are within the roof-rail airbag deployment zones.

Avoid installing wiring for roof-rail emergency lighting or radio antennas that may restrict the proper deployment of the roof-rail airbags.

GM approved service procedures must be followed to remove and reinstall the instrument panel to the pad to ensure proper airbag deployment.

The police vehicle has a rollover sensor mounted on the centerline of the vehicle between the driver and front outboard passenger positions. If the vehicle has individual front seats, the rollover sensor will be exposed. Do not mount equipment within 25 mm (1 in) of the rollover sensor. This may affect the performance of multiple restraint systems.

## MAINTENANCE / LIMITED WARRANTY

<b>SCHEDULED MAINTENANCE</b>	One visit within first year of vehicle delivery <sup>1</sup>
<b>BUMPER-TO-BUMPER LIMITED WARRANTY</b>	3 years/36,000 miles <sup>2</sup> . Bumper-to-Bumper Limited Warranty with no deductible
<b>TRANSFERABLE POWERTRAIN LIMITED WARRANTY</b>	Qualified Fleet Customers: 5 years/100,000 miles <sup>3</sup>
<b>TIRES<sup>4</sup></b>	3 years/36,000 miles <sup>2</sup> ; coverage prorated after first 12,000 miles
<b>ROADSIDE ASSISTANCE AND COURTESY TRANSPORTATION</b>	Qualified Fleet Customers: 5 years/100,000 miles <sup>3</sup>
<b>RUST-THROUGH</b>	6 years/100,000 miles <sup>2</sup>
<b>CORROSION</b>	3 years/36,000 miles <sup>2</sup>
<b>WHEEL ALIGNMENT AND BALANCE</b>	Up to 7,500 miles <sup>6</sup>

**1.** Includes first required maintenance visit as stated in vehicle maintenance schedule. Maintenance visit consists of oil change, tire rotation and Multi-Point Vehicle Inspection. Does not include air filters. See participating dealer for other restrictions and complete details. Excludes vehicles ordered with fleet delete option RY9. **2.** Whichever comes first. See dealer for limited warranty details. **3.** Whichever comes first. A Qualified Fleet User is defined as a company that has purchased and registered or leased five (5) or more new cars/or trucks solely for use in its operation during the current or preceding calendar year, model year, preceding twelve (12) month period, or that owns or leases fifteen (15) or more cars and trucks. Excludes rental customers. See dealer for details. **4.** Tires also covered under the Bumper-to-Bumper Warranty but are prorated based upon mileage. See dealer for warranty details. **5.** If the vehicle has a warrantable failure, see your Owner's Manual for full details on the Courtesy Transportation program. **6.** Customer maintenance item after 7,500 miles.



GM reserves the right to make changes at any time, without notice, in prices, colors, materials, equipment, specifications, models, and availability. Specifications, dimensions, measurements, ratings, and other numbers in this catalog and other printed materials provided at the dealership or affixed to vehicles are approximates based upon design and engineering drawings and prototypes and laboratory tests. Your vehicle may differ due to variations in manufacture and equipment. Since some information may have been updated since the time of printing, please check with your GM dealer for complete details. Some of the equipment shown or described throughout this publication may be available at extra cost, and/or is supplied by an independent supplier.

Copyright 2024 General Motors. All rights reserved. All text, images, graphics, and other materials in this publication are subject to the copyright and other intellectual property rights of General Motors. These materials may not be reproduced, distributed, or modified without the express written permission of General Motors. The marks appearing in this publication including, but not limited to: GM and the GM logo; Chevrolet and their respective logos, emblems, slogans, and vehicle model names and body designs; and other marks such as GM ENVOLVE and Commercial are trademarks and/or service marks of General Motors, its subsidiaries, affiliates, or licensors.

For more detailed information, contact your District Sales Manager or see the online order guide at [gmevolve.com/police](https://gmevolve.com/police).

