

Silverado Medium Duty 4500HD/5500HD/6500HD

Configuration Diagrams



Table of Contents

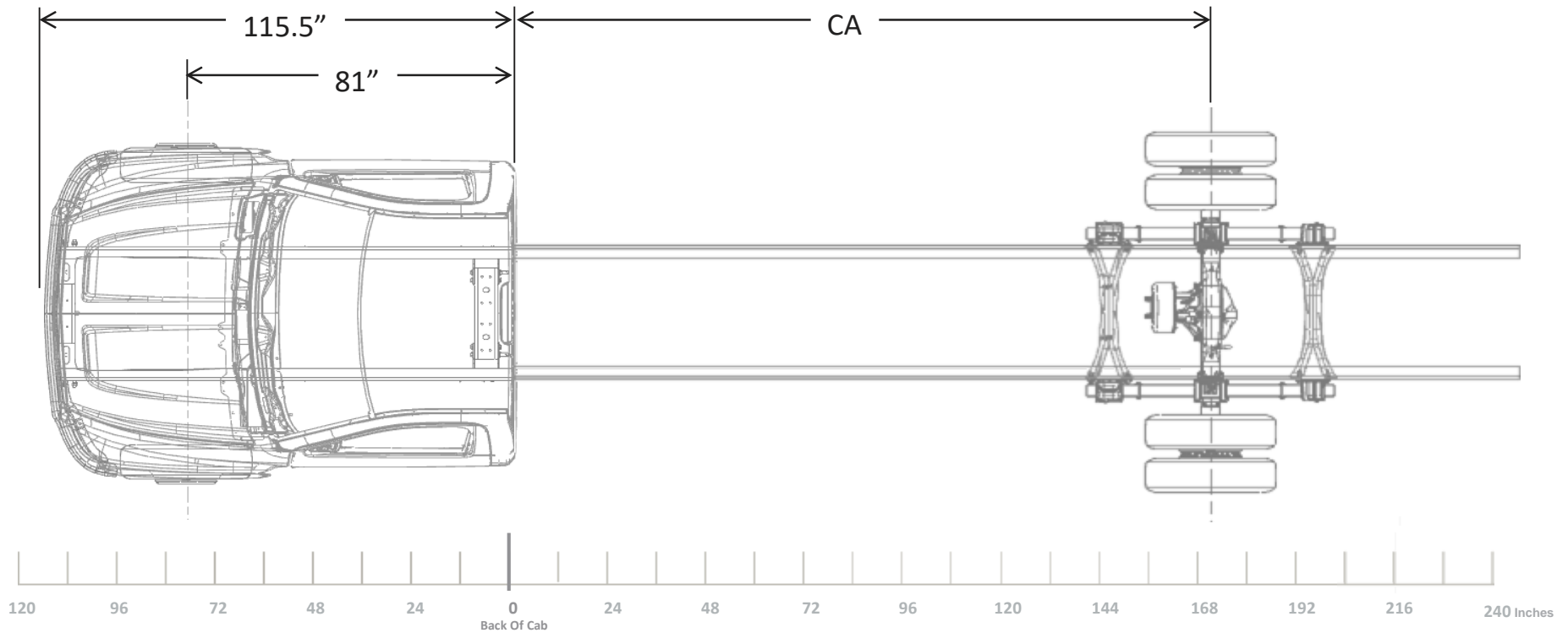
GENERAL INFORMATION.....	3
REGULAR CAB	
165" WB	10
189" WB	17
201" WB	32
219"WB	47
231" WB	62
243"WB	77
CREW CAB	
175" WB	92
199" WB	103
235" WB	118
REVISION HISTORY	133

Silverado Medium Duty 4500HD/5500HD/6500HD

Configuration Diagrams – General Information

Model:	C56403
Cab:	REGULAR CAB
Rear Suspension Shown in Diagrams	4x2 VARI-RATE

CA	WB
60"	141"
84"	165"
108"	189"
120"	201"
138"	219"
150"	231"
162"	243"

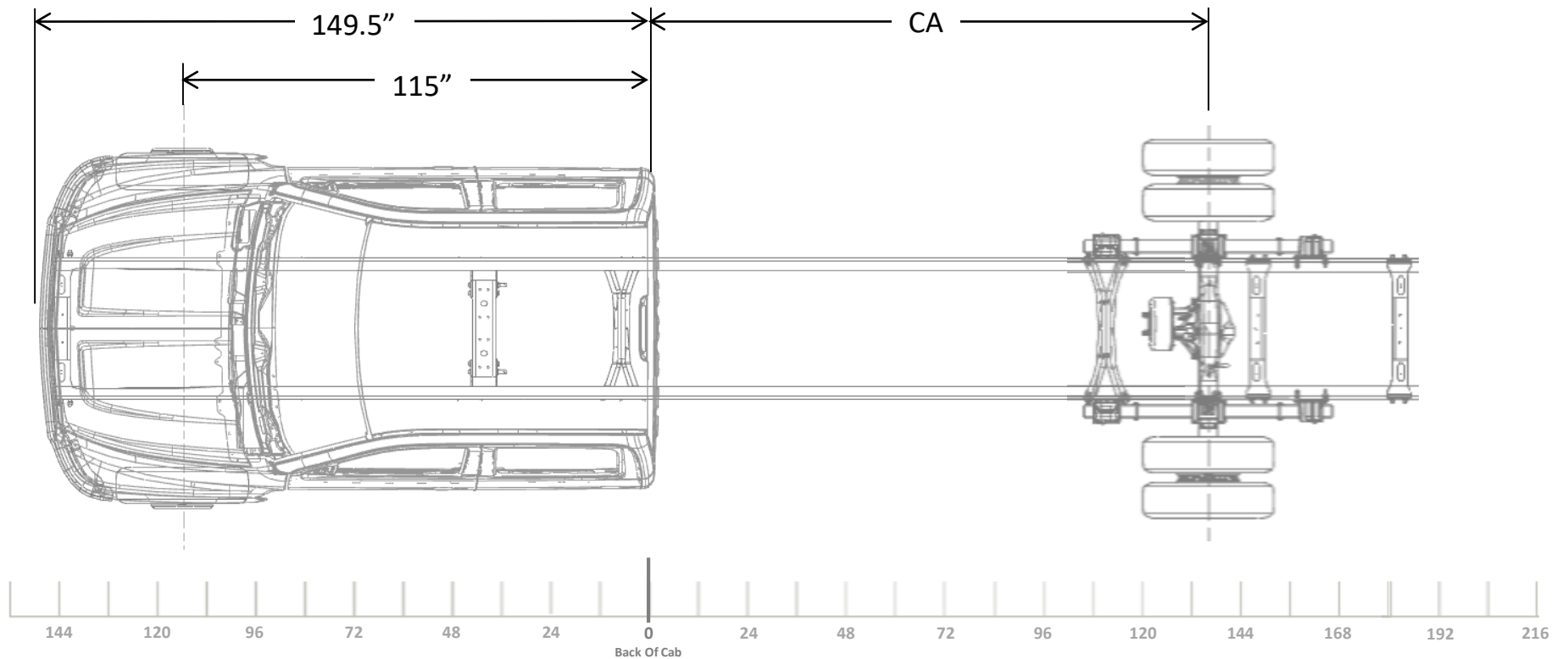


Silverado Medium Duty 4500HD/5500HD/6500HD

Configuration Diagrams – General Information

Model:	C56043
Cab:	CREW CAB
Rear Suspension Shown in Diagrams	4x2 VARI-RATE

CA	WB
60"	175"
84"	199"
120"	235"



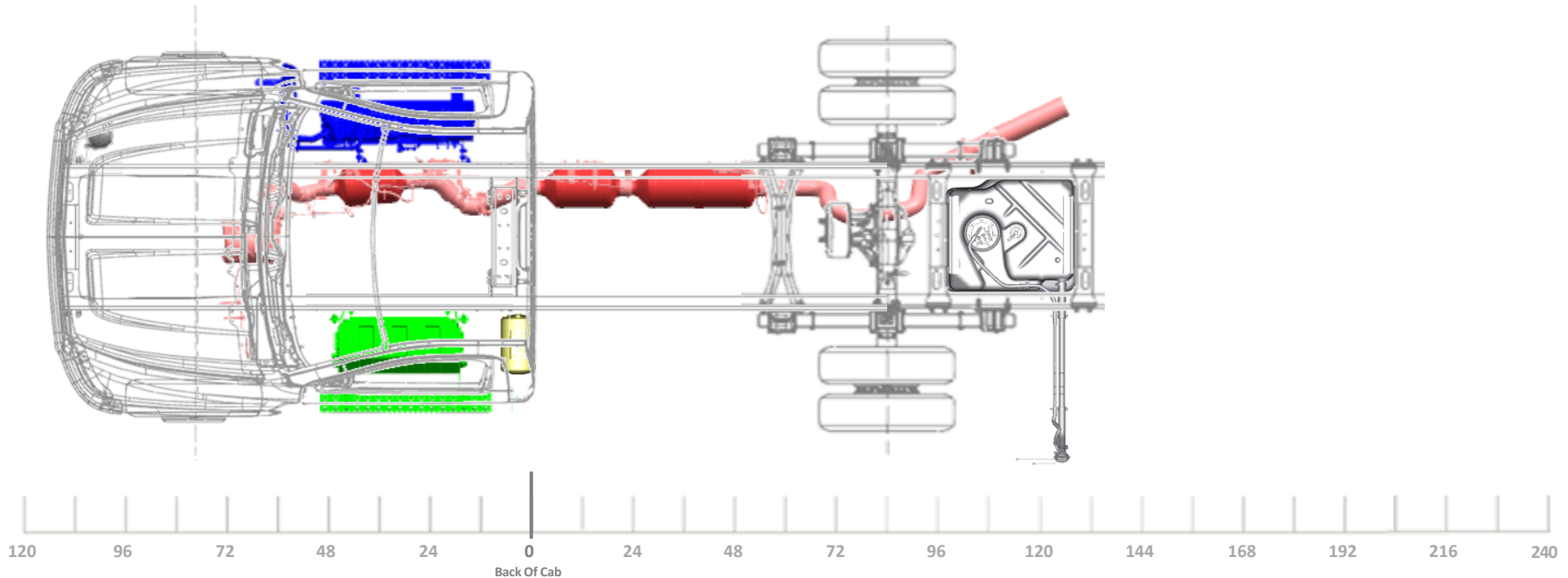
Regular Cab – 165” WB

Silverado Medium Duty 4500HD/5500HD/6500HD

Model/Feature Information	
Model:	C56403 K56403
Cab:	REGULAR CAB
Aftertreatment:	HORIZONTAL
Fuel Tank:	RPO N2L 40 GAL, AF MTD
Battery Box:	RPO 7Y7/7Y8 28" STEEL, 2 BATTERIES
Air Tanks:	(1) OUTSIDE LEFT
DEF Tank:	6.75 GAL
Engine:	6.6L GM DURAMAX

General Configuration Information
4X2 OR 4X4 TRUCK CONFIGURATION
STRAIGHT TAILPIPE, EXITS BEHIND REAR WHEEL
OPTIONAL AIR DRYER FWD OUTSIDE RT (RPO KUT/JPY)

Minimum Wheelbase
165" WB (84" CA) 49" OR 63" AF

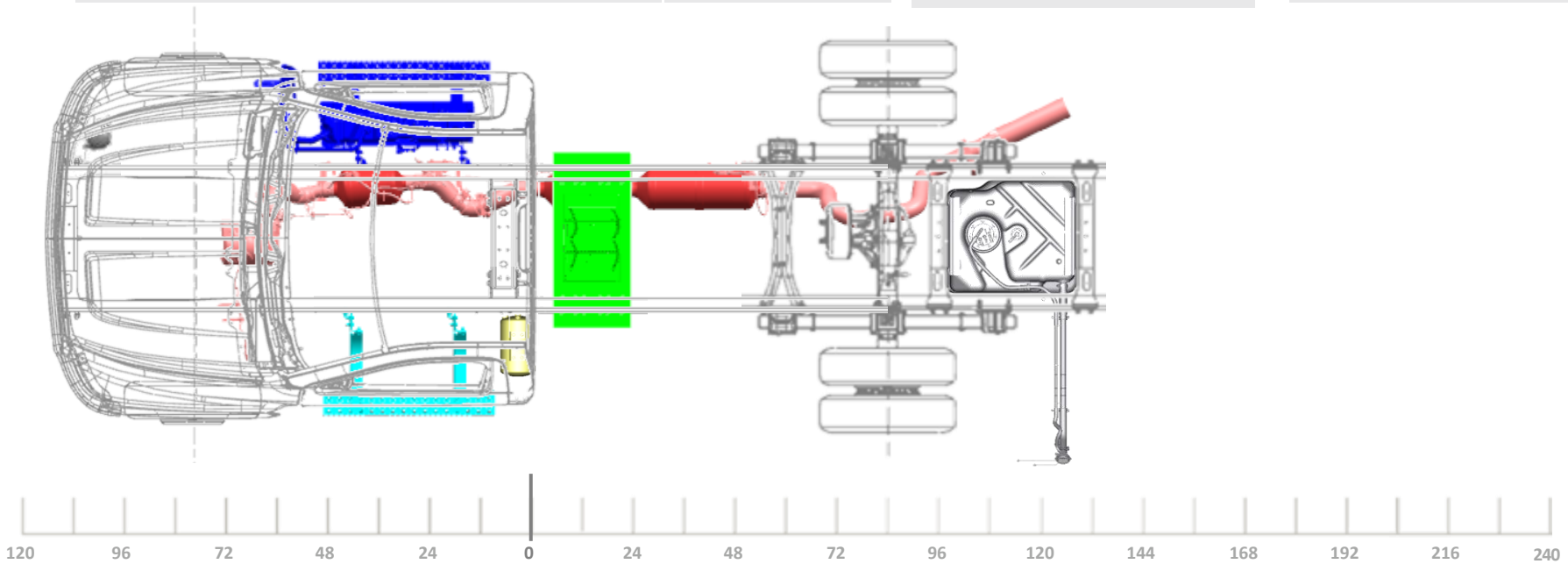


Silverado Medium Duty 4500HD/5500HD/6500HD

Model/Feature Information	
Model:	C56403 K56403
Cab:	REGULAR CAB
Aftertreatment:	HORIZONTAL
Fuel Tank:	RPO N2L 40 GAL, AF MTD
Battery Box:	RPO 7Y7/7Y8 28" STEEL, 2 BATTERIES
Air Tanks:	(1) OUTSIDE LEFT
DEF Tank:	6.75 GAL
Engine:	6.6L GM DURAMAX

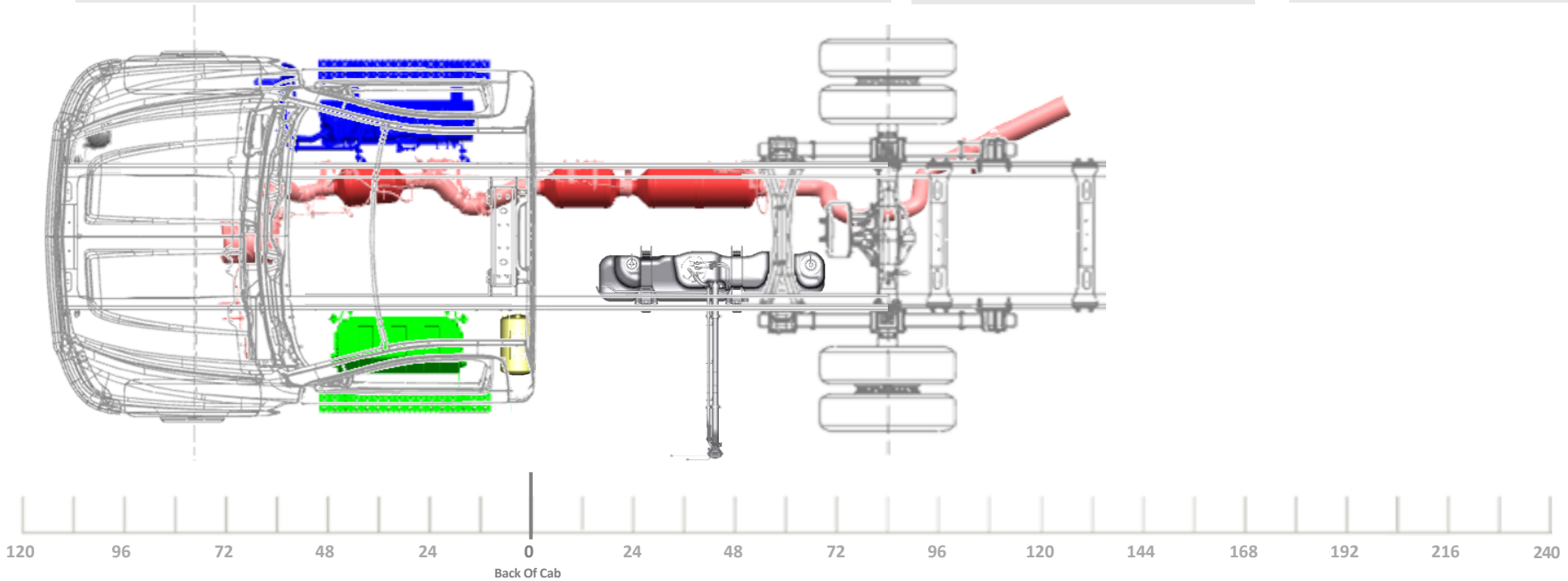
General Configuration Information
4X2 TRUCK CONFIGURATION IROS REAR SUSPENSION
STRAIGHT TAILPIPE, EXITS BEHIND REAR WHEEL
OPTIONAL AIR DRYER FWD OUTSIDE RT (RPO KUT/JPY)

Minimum Wheelbase
165" WB (84" CA) 49" OR 63" AF



Silverado Medium Duty 4500HD/5500HD/6500HD

Model/Feature Information		General Configuration Information	Minimum Wheelbase
Model:	C56403 K56403	4X2 OR 4X4 TRUCK CONFIGURATION	165" WB (84" CA) 49" OR 63" AF
Cab:	REGULAR CAB		
Aftertreatment:	HORIZONTAL	STRAIGHT TAILPIPE (RPO N12)	
Fuel Tank:	RPO N2L 40 GAL, AF MTD		
Battery Box:	RPO 7Y9 TEMP MTD, 3 BATT	OPTIONAL AIR DRYER FWD OUTSIDE RT (RPO KUT/JPY)	
Air Tanks:	(1) OUTSIDE LEFT		
DEF Tank:	6.75 GAL		
Engine:	6.6L GM DURAMAX		

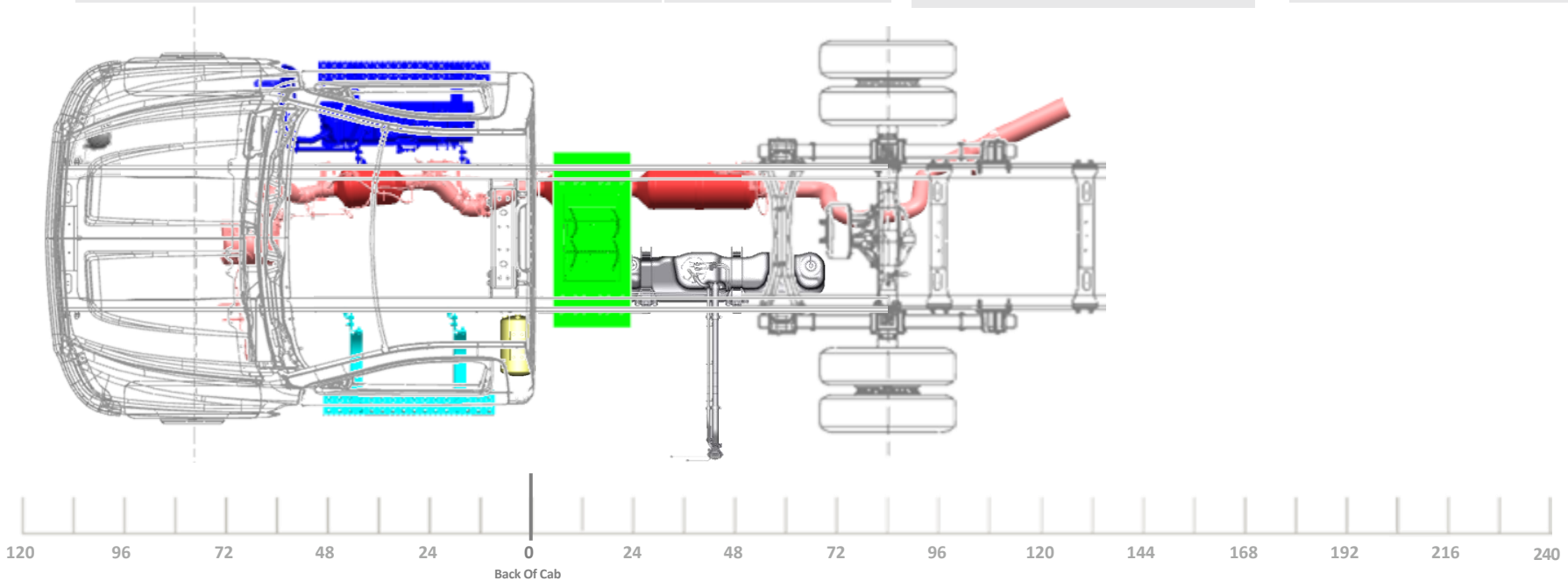


Silverado Medium Duty 4500HD/5500HD/6500HD

Model/Feature Information	
Model:	C56403 K56403
Cab:	REGULAR CAB
Aftertreatment:	HORIZONTAL
Fuel Tank:	RPO N2L 40 GAL, AF MTD
Battery Box:	RPO 7Y9 TEMP MTD, 3 BATT
Air Tanks:	(1) OUTSIDE LEFT
DEF Tank:	6.75 GAL
Engine:	6.6L GM DURAMAX

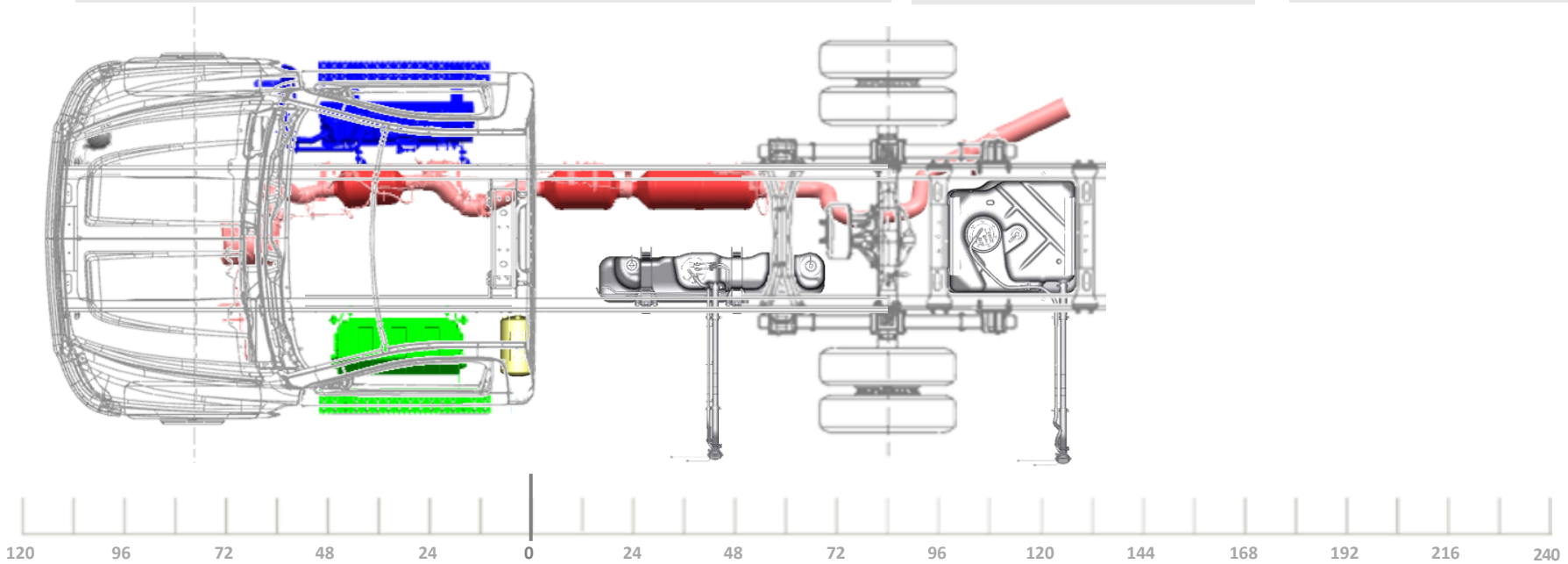
General Configuration Information
4X2 TRUCK CONFIGURATION IROS REAR SUSPENSION
STRAIGHT TAILPIPE (RPO N12)
OPTIONAL AIR DRYER FWD OUTSIDE RT (RPO KUT/JPY)

Minimum Wheelbase
165" WB (84" CA) 63" AF



Silverado Medium Duty 4500HD/5500HD/6500HD

Model/Feature Information		General Configuration Information	Minimum Wheelbase
Model:	C56403 K56403	4X2 OR 4X4 TRUCK CONFIGURATION	165" WB (84" CA) 49" OR 63" AF
Cab:	REGULAR CAB		
Aftertreatment:	HORIZONTAL	STRAIGHT TAILPIPE (RPO N12)	
Fuel Tank:	RPO NVK 25 GAL, CA MTD		
Battery Box:	RPO 7Y7/7Y8 28" STEEL, 2 BATTERIES	OPTIONAL AIR DRYER FWD OUTSIDE RT (RPO KUT/JPY)	
Air Tanks:	(1) OUTSIDE LEFT		
DEF Tank:	6.75 GAL		
Engine:	6.6L GM DURAMAX		

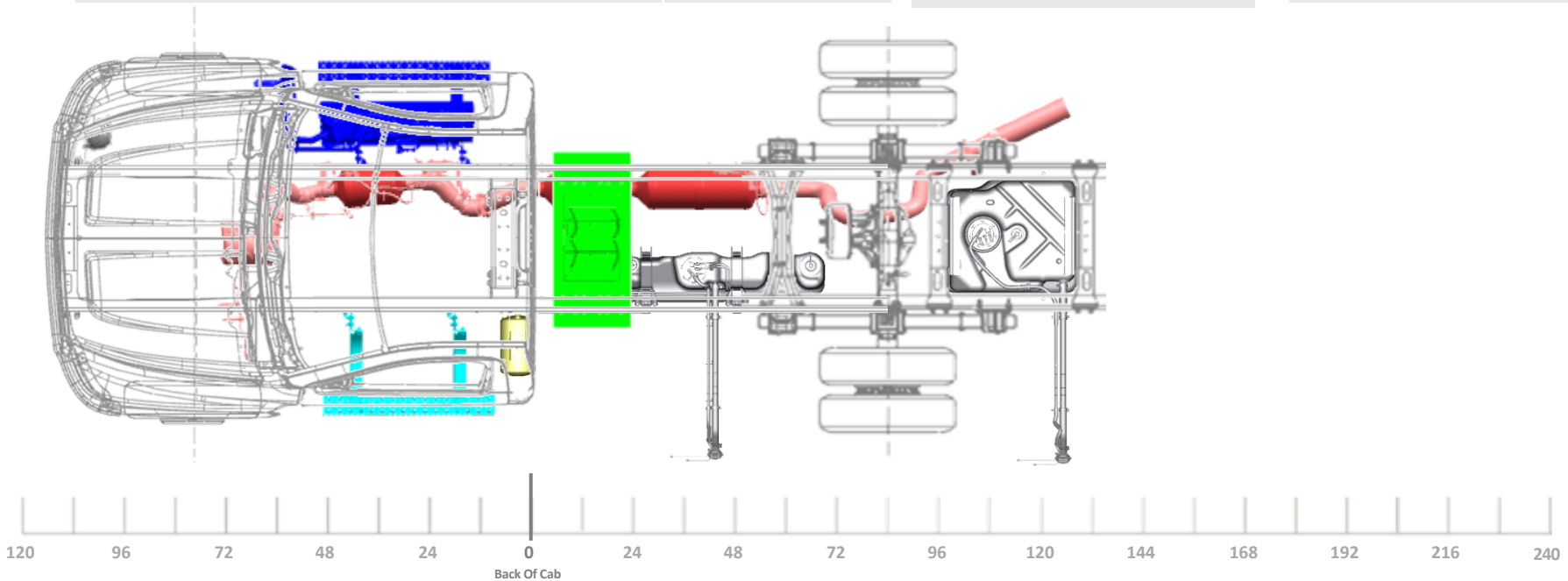


Silverado Medium Duty 4500HD/5500HD/6500HD

Model/Feature Information	
Model:	C56403 K56403
Cab:	REGULAR CAB
Aftertreatment:	HORIZONTAL
Fuel Tank:	RPO NVK 25 GAL, CA MTD
Battery Box:	RPO 7Y7/7Y8 28" STEEL, 2 BATTERIES
Air Tanks:	(1) OUTSIDE LEFT
DEF Tank:	6.75 GAL
Engine:	6.6L GM DURAMAX

General Configuration Information
4X2 TRUCK CONFIGURATION IROS REAR SUSPENSION
STRAIGHT TAILPIPE (RPO N12)
OPTIONAL AIR DRYER FWD OUTSIDE RT (RPO KUT/JPY)

Minimum Wheelbase
165" WB (84" CA) 63" AF

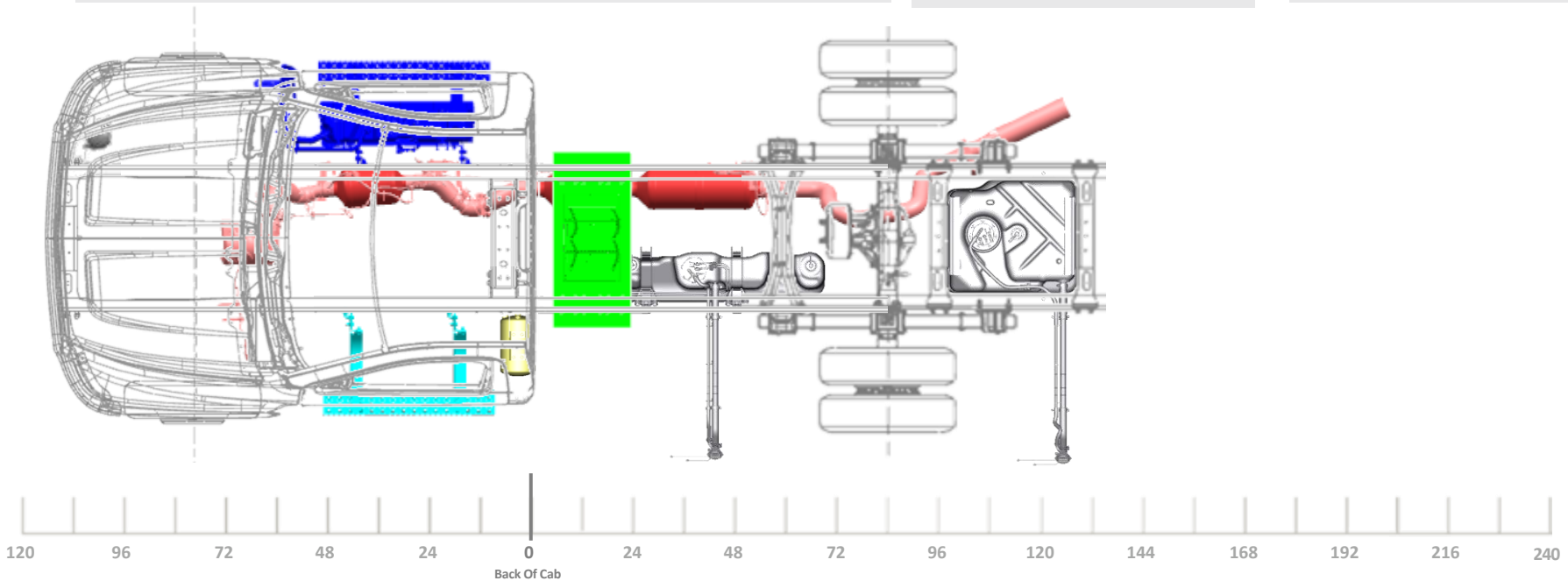


Silverado Medium Duty 4500HD/5500HD/6500HD

Model/Feature Information	
Model:	C56403 K56403
Cab:	REGULAR CAB
Aftertreatment:	HORIZONTAL
Fuel Tank:	RPO NVK 25 GAL, CA MTD
Battery Box:	RPO 7Y9 TEMP MTD, 3 BATT
Air Tanks:	(1) OUTSIDE LEFT
DEF Tank:	6.75 GAL
Engine:	6.6L GM DURAMAX

General Configuration Information
4X2 OR 4X4 TRUCK CONFIGURATION
STRAIGHT TAILPIPE (RPO N12)
OPTIONAL AIR DRYER FWD OUTSIDE RT (RPO KUT/JPY)

Minimum Wheelbase
165" WB (84" CA) 49" OR 63" AF

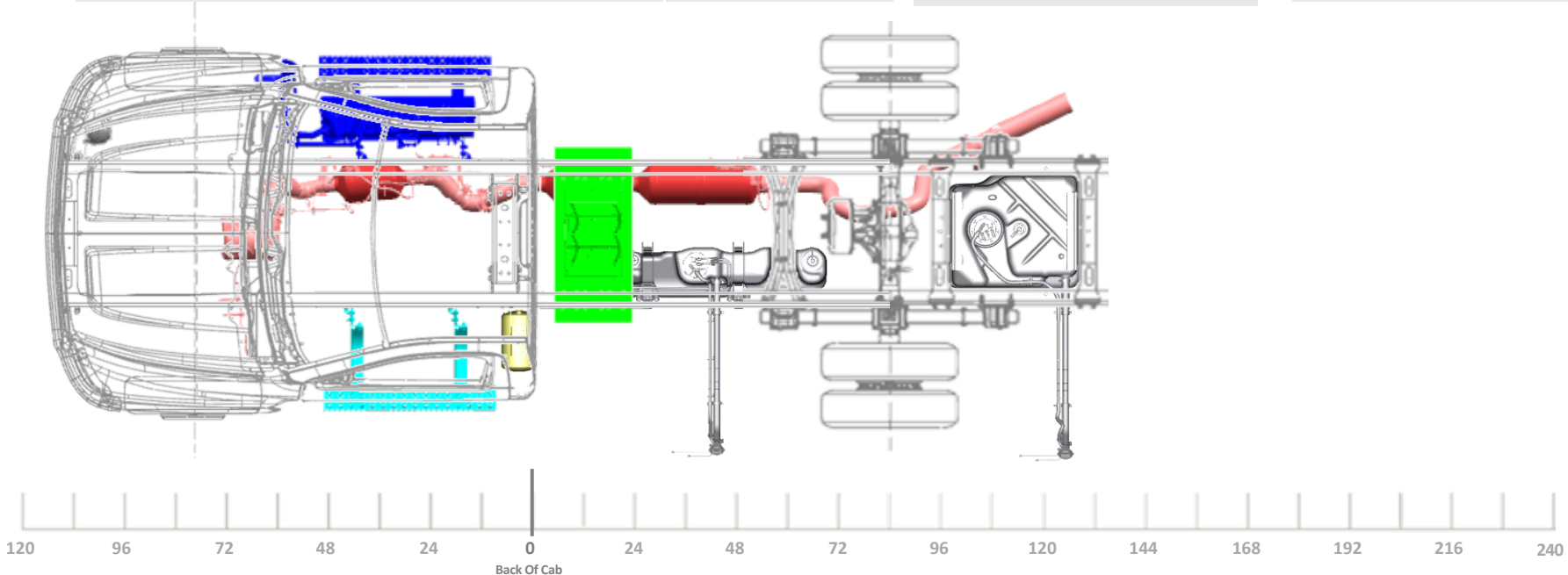


2020 Silverado Medium Duty 4500HD/5500HD/6500HD

Model/Feature Information	
Model:	C56403 K56403
Cab:	REGULAR CAB
Aftertreatment:	HORIZONTAL
Fuel Tank:	RPO NVK 25 GAL, CA MTD
Battery Box:	RPO 7Y9 TEMP MTD, 3 BATT
Air Tanks:	(1) OUTISDE LEFT
DEF Tank:	6.75 GAL
Engine:	6.6L GM DURAMAX

General Configuration Information
4X2 TRUCK CONFIGURATION IROS REAR SUSPENSION
STRAIGHT TAILPIPE (RPO N12)
OPTIONAL AIR DRYER FWD OUTSIDE RT (RPO KUT/JPY)

Minimum Wheelbase
165" WB (84" CA) 63" AF

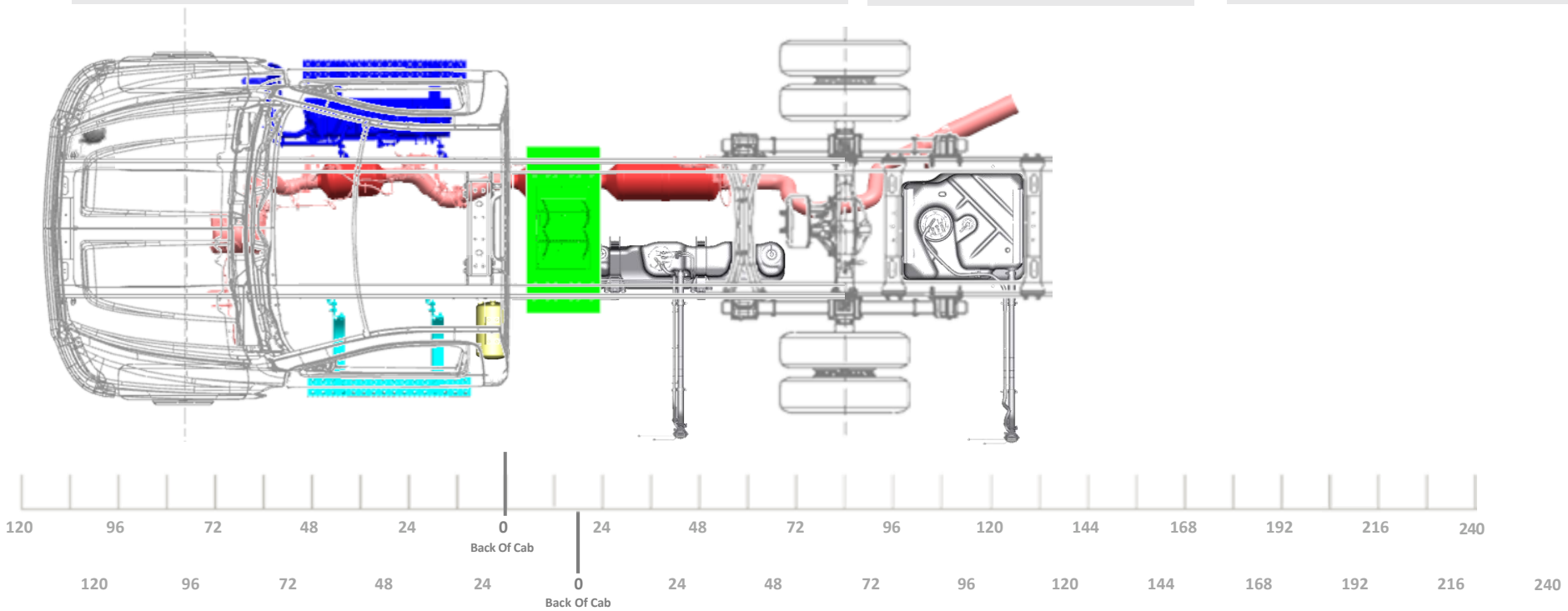


Silverado Medium Duty 4500HD/5500HD/6500HD

Model/Feature Information	
Model:	C56403 K56403
Cab:	REGULAR CAB
Aftertreatment:	HORIZONTAL
Fuel Tank:	RPO NSQ DUAL 25G CA, 40G AF
Battery Box:	RPO 7Y7/7Y8 28" STEEL, 2 BATTERIES
Air Tanks:	(1) OUTSIDE LEFT
DEF Tank:	6.75 GAL
Engine:	6.6L GM DURAMAX

General Configuration Information
4X2 OR 4X4 TRUCK CONFIGURATION
STRAIGHT TAILPIPE (RPO N12)
OPTIONAL AIR DRYER FWD OUTSIDE RT (RPO KUT/JPY)

Minimum Wheelbase
165" WB (84" CA) 49" OR 63" AF

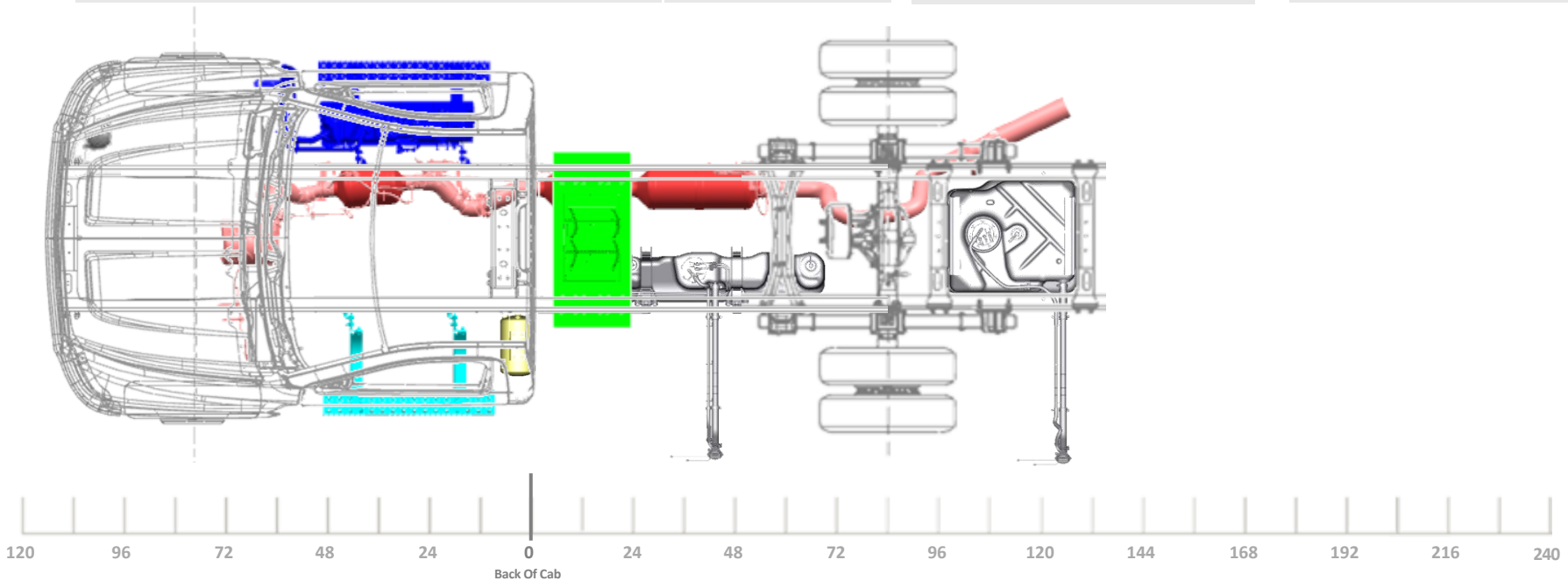


Silverado Medium Duty 4500HD/5500HD/6500HD

Model/Feature Information	
Model:	C56403 K56403
Cab:	REGULAR CAB
Aftertreatment:	HORIZONTAL
Fuel Tank:	RPO NSQ DUAL 25G CA, 40G AF
Battery Box:	RPO 7Y7/7Y8 28" STEEL, 2 BATTERIES
Air Tanks:	(1) OUTSIDE LEFT
DEF Tank:	6.75 GAL
Engine:	6.6L GM DURAMAX

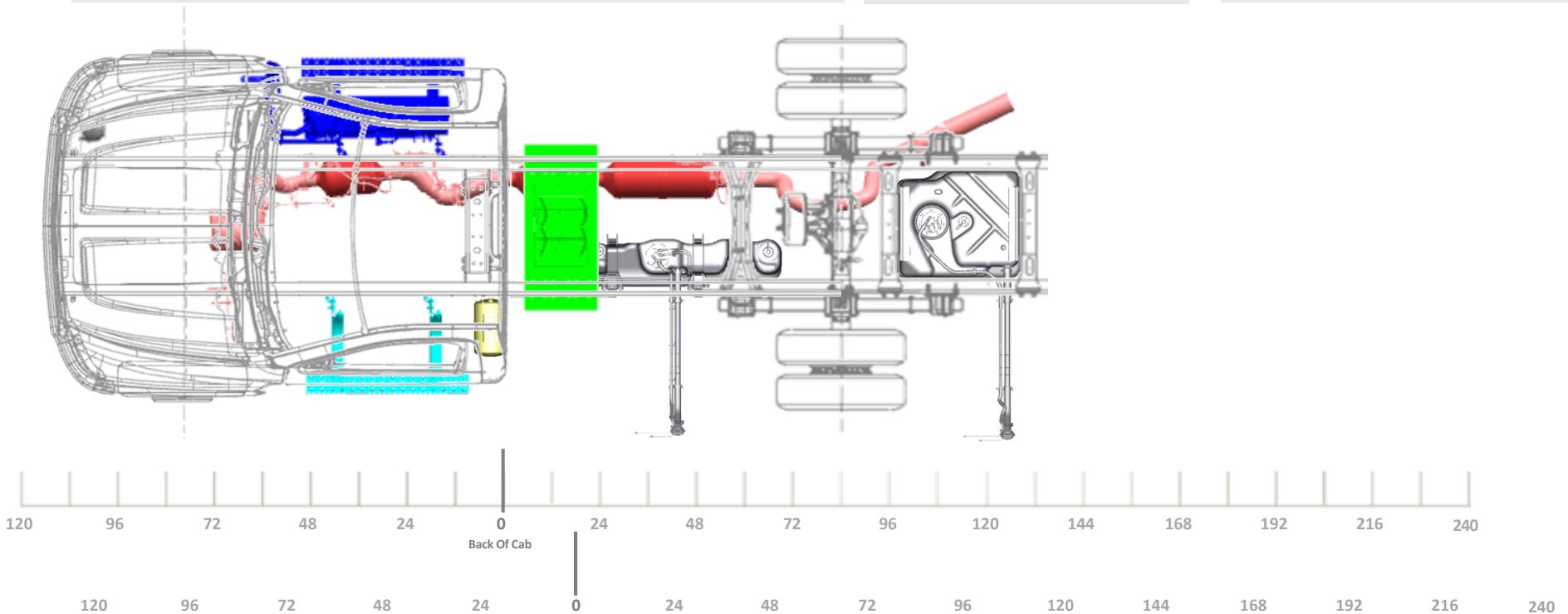
General Configuration Information
4X2 TRUCK CONFIGURATION IROS REAR SUSPENSION
STRAIGHT TAILPIPE (RPO N12)
OPTIONAL AIR DRYER FWD OUTSIDE RT (RPO KUT/JPY)

Minimum Wheelbase
165" WB (84" CA) 63" AF



Silverado Medium Duty 4500HD/5500HD/6500HD

Model/Feature Information		General Configuration Information	Minimum Wheelbase
Model:	C56403 K56403	4X2 OR 4X4 TRUCK CONFIGURATION	165" WB (84" CA) 49" OR 63" AF
Cab:	REGULAR CAB		
Aftertreatment:	HORIZONTAL	STRAIGHT TAILPIPE (RPO N12)	
Fuel Tank:	RPO NSQ DUAL 25G CA, 40G AF		
Battery Box:	RPO 7Y9 TEMP MTD, 3 BATT	OPTIONAL AIR DRYER FWD OUTSIDE RT (RPO KUT/JPY)	
Air Tanks:	(1) OUTSIDE LEFT		
DEF Tank:	6.75 GAL		
Engine:	6.6L GM DURAMAX		

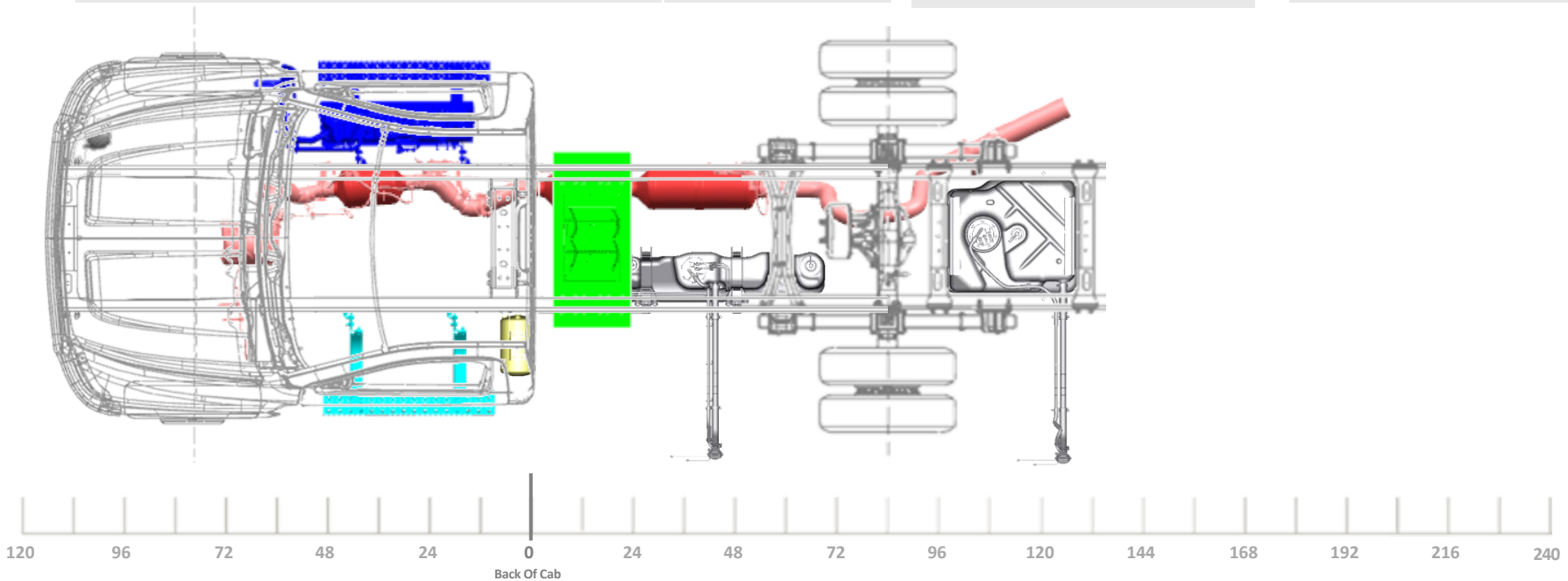


Silverado Medium Duty 4500HD/5500HD/6500HD

Model/Feature Information	
Model:	C56403 K56403
Cab:	REGULAR CAB
Aftertreatment:	HORIZONTAL
Fuel Tank:	RPO NSQ DUAL 25G CA, 40G AF
Battery Box:	RPO 7Y9 TEMP MTD, 3 BATT
Air Tanks:	(1) OUTSIDE LEFT
DEF Tank:	6.75 GAL
Engine:	6.6L GM DURAMAX

General Configuration Information
4X2 TRUCK CONFIGURATION IROS REAR SUSPENSION
STRAIGHT TAILPIPE (RPO N12)
OPTIONAL AIR DRYER FWD OUTSIDE RT (RPO KUT/JPY)

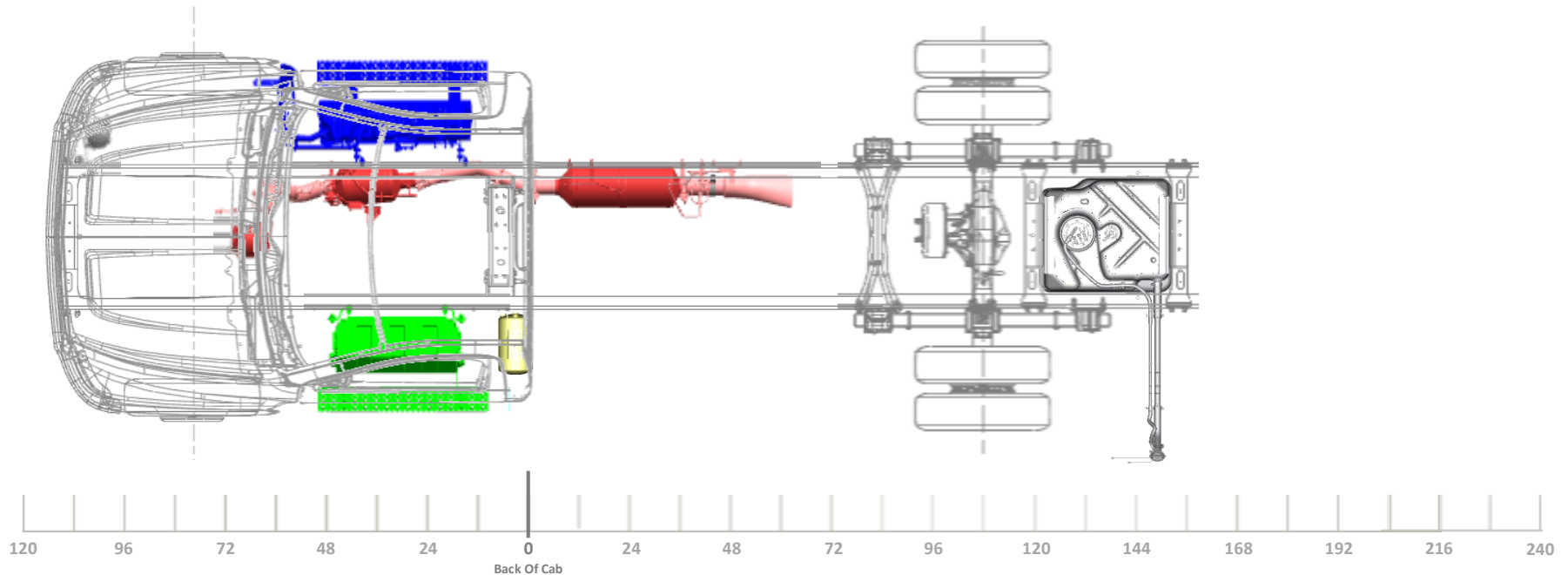
Minimum Wheelbase
165" WB (84" CA) 63" AF



Regular Cab – 189” WB

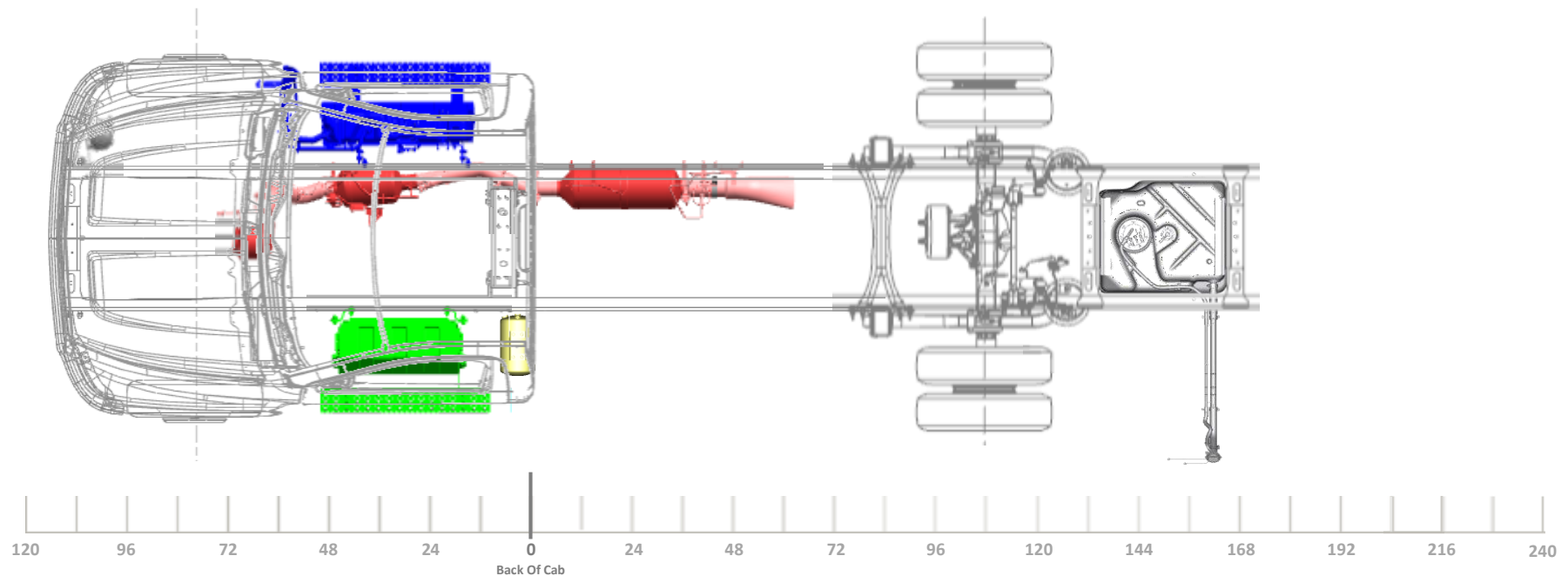
Silverado Medium Duty 4500HD/5500HD/6500HD

Model/Feature Information		General Configuration Information	Minimum Wheelbase
Model:	C56403 K56403	4X2 OR 4X4 TRUCK CONFIGURATION	189" WB (108" CA) 49", 63", OR 75" AF
Cab:	REGULAR CAB		
Aftertreatment:	HORIZONTAL	STRAIGHT TAILPIPE (RPO N12)	
Fuel Tank:	RPO N2L 40 GAL, AF MTD		
Battery Box:	RPO 7Y7/7Y8 28" STEEL, 2 BATTERIES	OPTIONAL AIR DRYER FWD OUTSIDE RT (RPO KUT/JPY)	
Air Tanks:	(1) OUTSIDE LEFT		
DEF Tank:	6.75 GAL		
Engine:	6.6L GM DURAMAX		



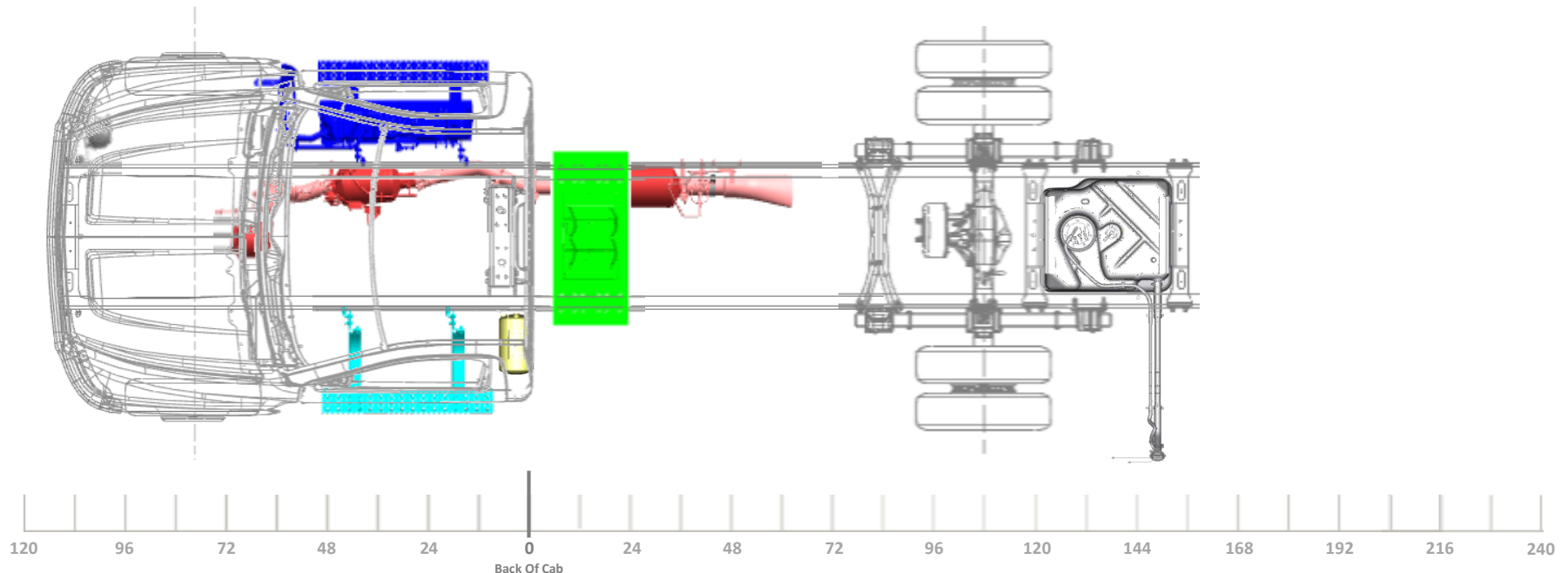
Silverado Medium Duty 4500HD/5500HD/6500HD

Model/Feature Information		General Configuration Information	Minimum Wheelbase
Model:	C56403 K56403	4X2 TRUCK CONFIGURATION IROS REAR SUSPENSION	165" WB (84" CA) 63" AF
Cab:	REGULAR CAB		
Aftertreatment:	HORIZONTAL	STRAIGHT TAILPIPE (RPO N12)	
Fuel Tank:	RPO N2L 40 GAL, AF MTD		
Battery Box:	RPO 7Y7/7Y8 28" STEEL, 2 BATTERIES	OPTIONAL AIR DRYER FWD OUTSIDE RT (RPO KUT/JPY)	
Air Tanks:	(1) OUTSIDE LEFT		
DEF Tank:	6.75 GAL		
Engine:	6.6L GM DURAMAX		



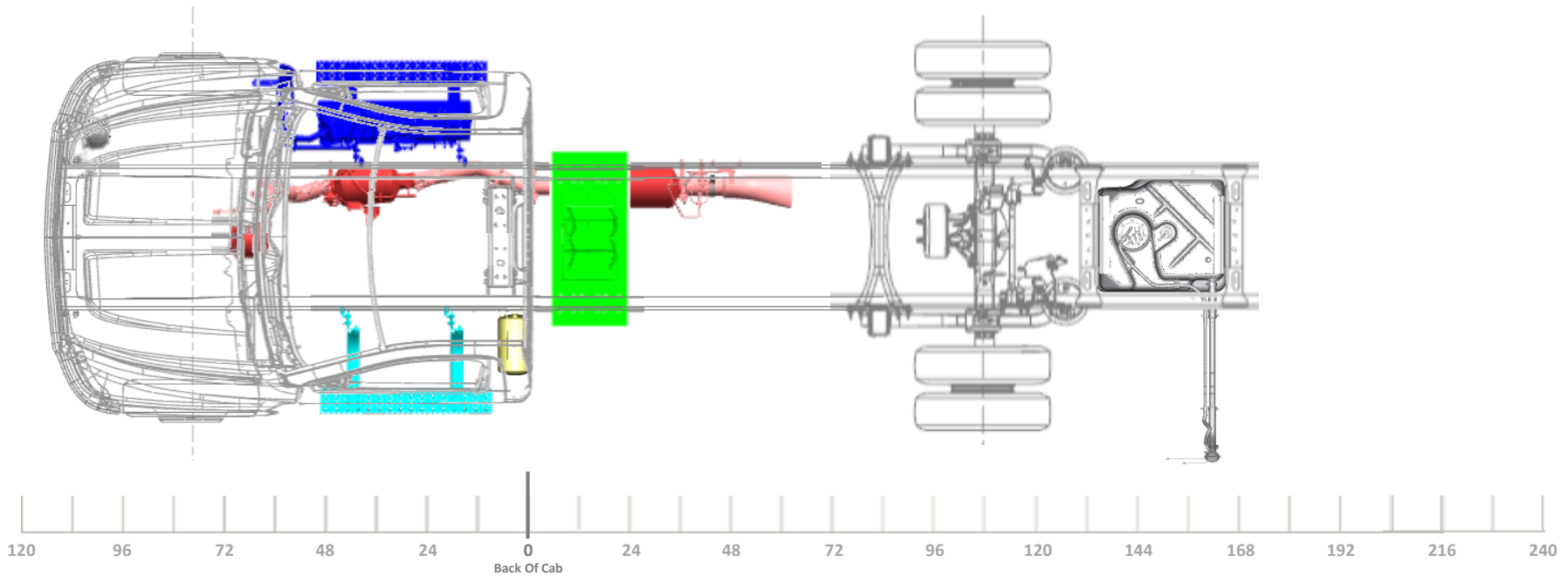
Silverado Medium Duty 4500HD/5500HD/6500HD

Model/Feature Information		General Configuration Information	Minimum Wheelbase
Model:	C56403 K56403	4X2 OR 4X4 TRUCK CONFIGURATION	189" WB (108" CA) 49", 63", OR 75" AF
Cab:	REGULAR CAB		
Aftertreatment:	HORIZONTAL	STRAIGHT TAILPIPE (RPO N12)	
Fuel Tank:	RPO N2L 40 GAL, AF MTD		
Battery Box:	RPO 7Y9 TEMP MTD, 3 BATT	OPTIONAL AIR DRYER FWD OUTSIDE RT (RPO KUT/JPY)	
Air Tanks:	(1) OUTSIDE LEFT		
DEF Tank:	6.75 GAL		
Engine:	6.6L GM DURAMAX		



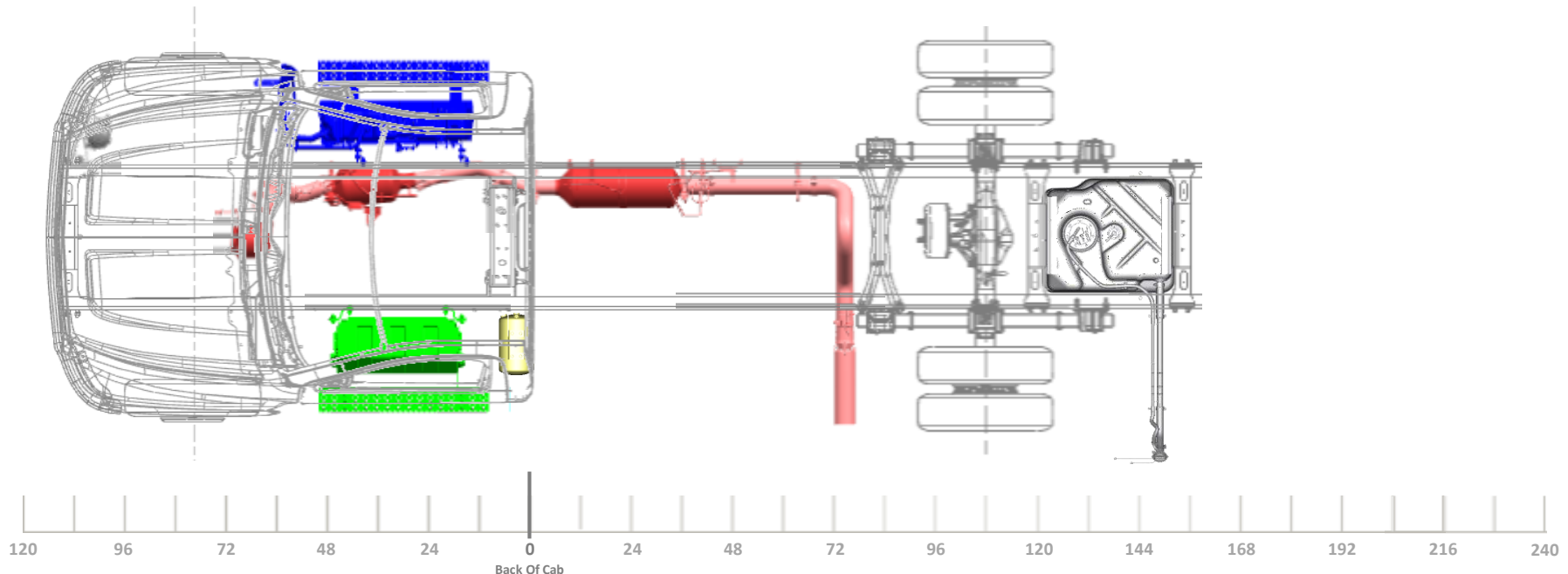
2020 Silverado Medium Duty 4500HD/5500HD/6500HD

Model/Feature Information		General Configuration Information	Minimum Wheelbase
Model:	C56403 K56403	4X2 TRUCK CONFIGURATION IROS REAR SUSPENSION	
Cab:	REGULAR CAB		
Aftertreatment:	HORIZONTAL	STRAIGHT TAILPIPE (RPO N12)	
Fuel Tank:	RPO N2L 40 GAL, AF MTD		
Battery Box:	RPO 7Y9 TEMP MTD, 3 BATT	OPTIONAL AIR DRYER FWD OUTSIDE RT (RPO KUT/JPY)	
Air Tanks:	(1) OUTSIDE LEFT		
DEF Tank:	6.75 GAL		
Engine:	6.6L GM DURAMAX		



Silverado Medium Duty 4500HD/5500HD/6500HD

Model/Feature Information		General Configuration Information	Minimum Wheelbase
Model:	C56403 K56403	4X2 OR 4X4 TRUCK CONFIGURATION	189" WB (108" CA) 49", 63", OR 75" AF
Cab:	REGULAR CAB		
Aftertreatment:	HORIZONTAL	SIDE EXIT TAILPIPE AHEAD OF REAR WHEELS, LT SIDE (RPO NPJ)	
Fuel Tank:	RPO N2L 40 GAL, AF MTD		
Battery Box:	RPO 7Y7/7Y8 28" STEEL, 2 BATTERIES	OPTIONAL AIR DRYER FWD OUTSIDE RT (RPO KUT/JPY)	
Air Tanks:	(1) OUTSIDE LEFT		
DEF Tank:	6.75 GAL		
Engine:	6.6L GM DURAMAX		

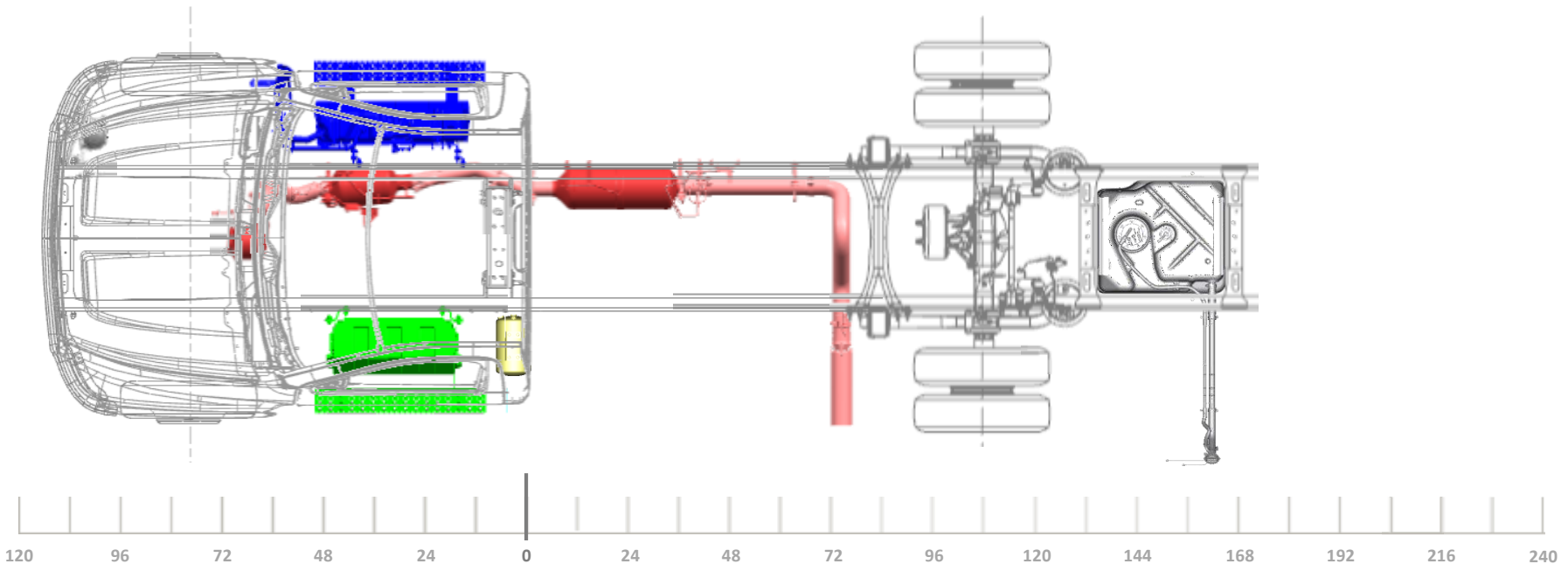


Silverado Medium Duty 4500HD/5500HD/6500HD

Model/Feature Information	
Model:	C56403 K56403
Cab:	REGULAR CAB
Aftertreatment:	HORIZONTAL
Fuel Tank:	RPO N2L 40 GAL, AF MTD
Battery Box:	RPO 7Y7/7Y8 28" STEEL, 2 BATTERIES
Air Tanks:	(1) OUTSIDE LEFT
DEF Tank:	6.75 GAL
Engine:	6.6L GM DURAMAX

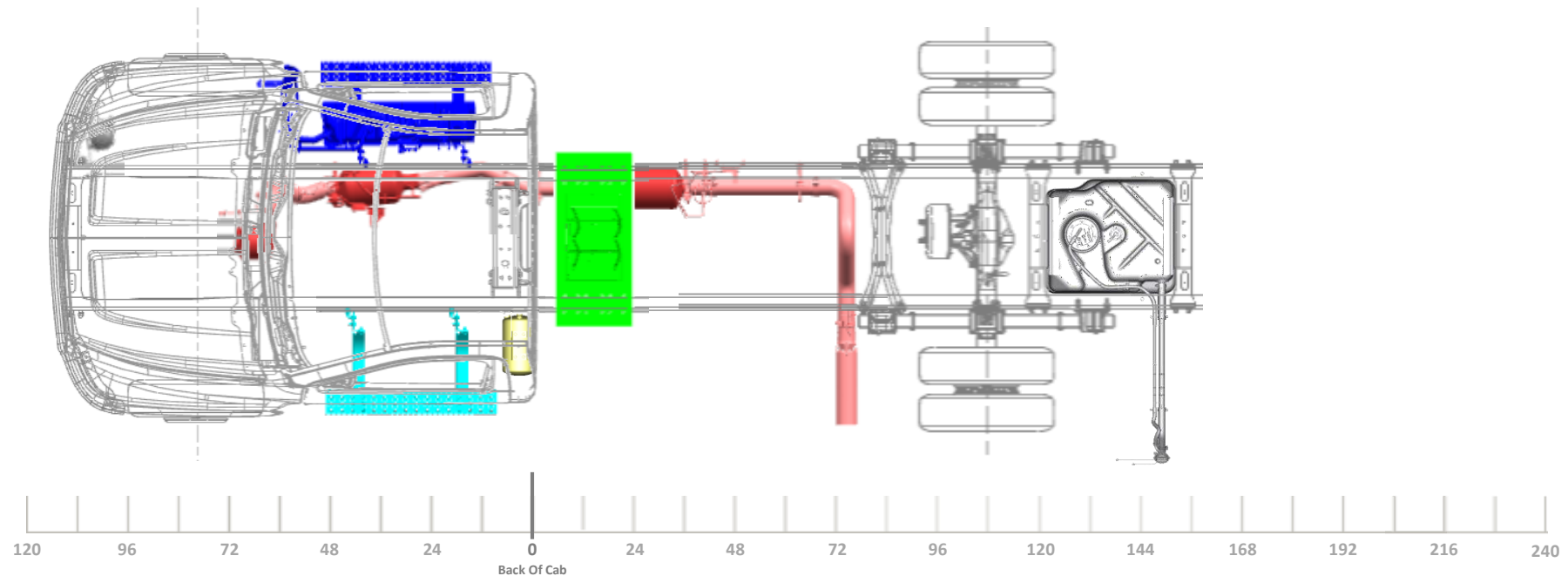
General Configuration Information
4X2 TRUCK CONFIGURATION IROS REAR SUSPENSION
SIDE EXIT TAILPIPE AHEAD OF REAR WHEELS, LT SIDE (RPO NPJ)
OPTIONAL AIR DRYER FWD OUTSIDE RT (RPO KUT/JPY)

Minimum Wheelbase
189" WB (108" CA) 63" OR 75" AF



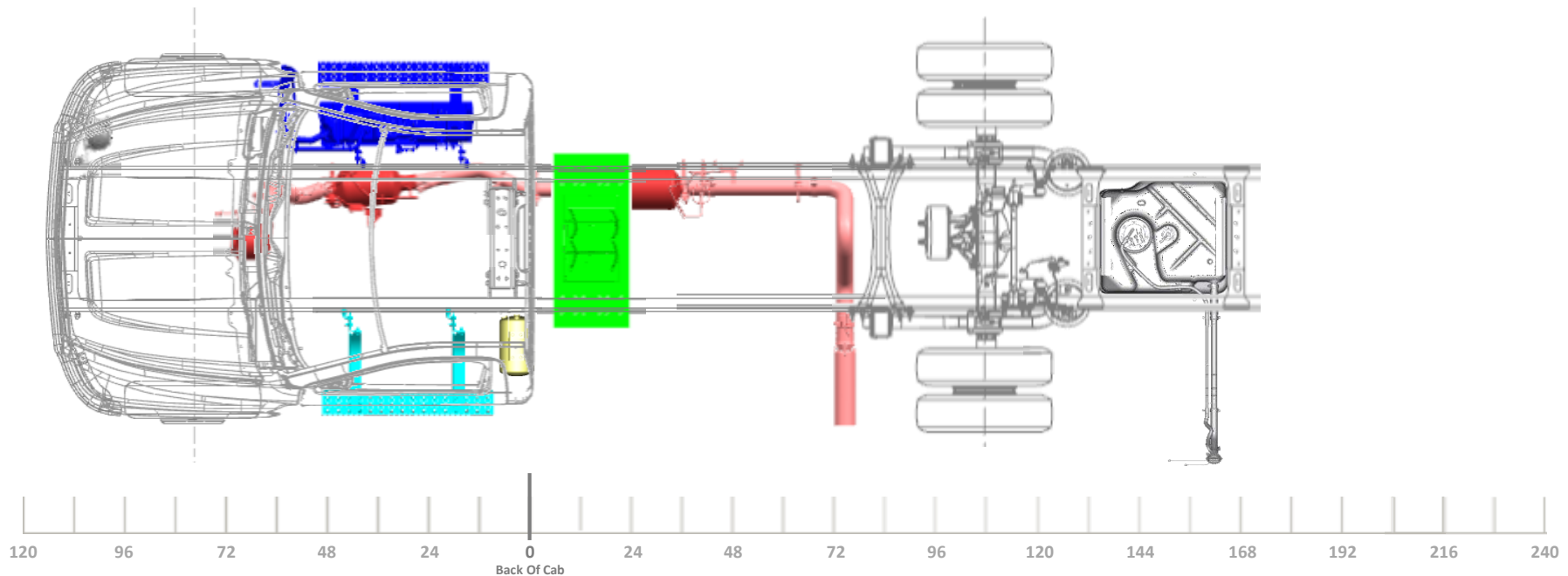
Silverado Medium Duty 4500HD/5500HD/6500HD

Model/Feature Information		General Configuration Information	Minimum Wheelbase
Model:	C56403 K56403	4X2 OR 4X4 TRUCK CONFIGURATION	189" WB (108" CA) 49", 63", OR 75" AF
Cab:	REGULAR CAB		
Aftertreatment:	HORIZONTAL	SIDE EXIT TAILPIPE AHEAD OF REAR WHEELS, LT SIDE (RPO NPJ)	
Fuel Tank:	RPO N2L 40 GAL, AF MTD		
Battery Box:	RPO 7Y9 TEMP MTD, 3 BATT	OPTIONAL AIR DRYER FWD OUTSIDE RT (RPO KUT/JPY)	
Air Tanks:	(1) OUTSIDE LEFT		
DEF Tank:	6.75 GAL		
Engine:	6.6L GM DURAMAX		



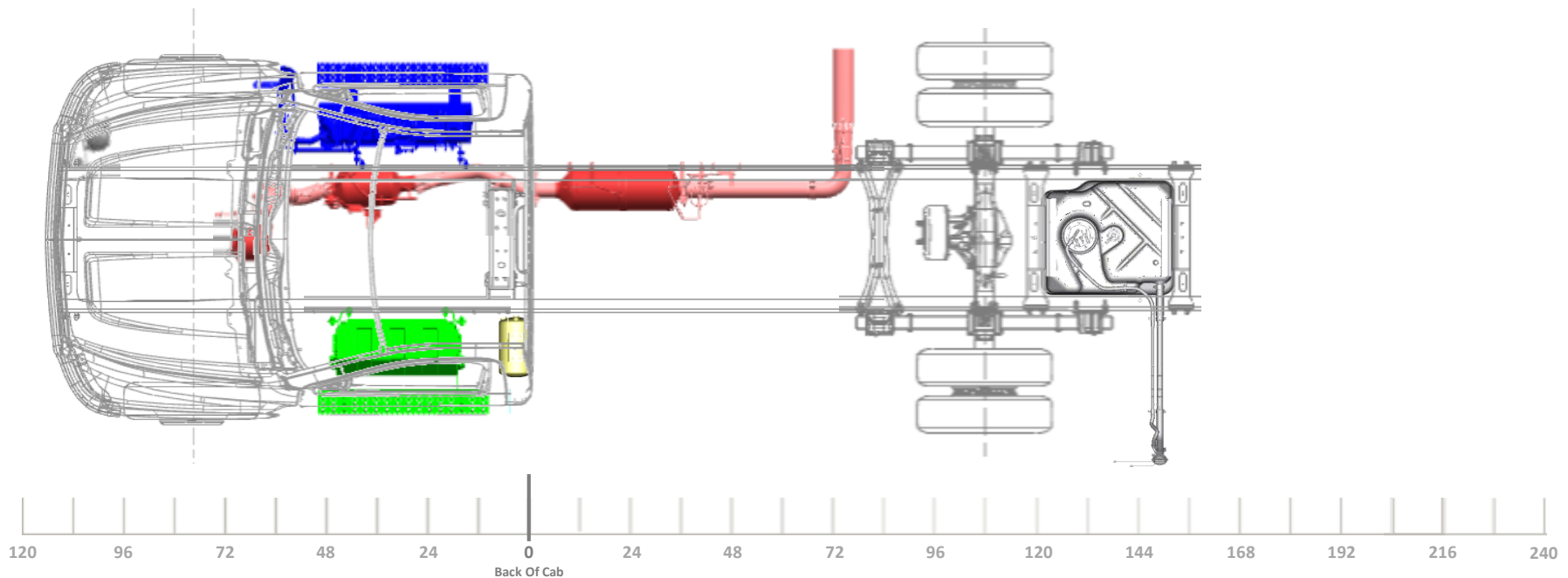
Silverado Medium Duty 4500HD/5500HD/6500HD

Model/Feature Information		General Configuration Information	Minimum Wheelbase
Model:	C56403 K56403	4X2 TRUCK CONFIGURATION IROS REAR SUSPENSION	189" WB (108" CA) 63" OR 75" AF
Cab:	REGULAR CAB		
Aftertreatment:	HORIZONTAL	SIDE EXIT TAILPIPE AHEAD OF REAR WHEELS, LT SIDE (RPO NPJ)	
Fuel Tank:	RPO N2L 40 GAL, AF MTD		
Battery Box:	RPO 7Y9 TEMP MTD, 3 BATT	OPTIONAL AIR DRYER FWD OUTSIDE RT (RPO KUT/JPY)	
Air Tanks:	(1) OUTSIDE LEFT		
DEF Tank:	6.75 GAL		
Engine:	6.6L GM DURAMAX		



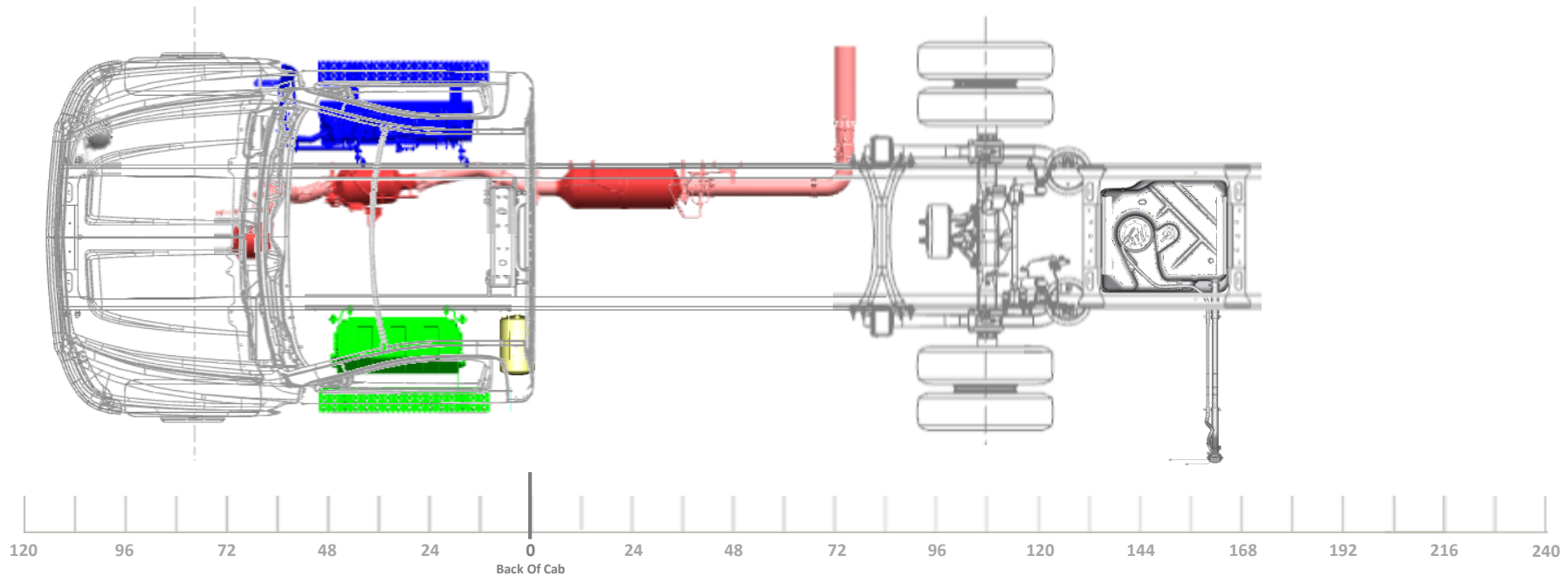
Silverado Medium Duty 4500HD/5500HD/6500HD

Model/Feature Information		General Configuration Information	Minimum Wheelbase
Model:	C56403 K56403	4X2 OR 4X4 TRUCK CONFIGURATION	189" WB (108" CA) 49", 63", OR 75" AF
Cab:	REGULAR CAB		
Aftertreatment:	HORIZONTAL	SIDE EXIT TAILPIPE AHEAD OF REAR WHEELS, RT SIDE (RPO NPK)	
Fuel Tank:	RPO N2L 40 GAL, AF MTD		
Battery Box:	RPO 7Y7/7Y8 28" STEEL, 2 BATTERIES	OPTIONAL AIR DRYER FWD OUTSIDE RT (RPO KUT/JPY)	
Air Tanks:	(1) OUTSIDE LEFT		
DEF Tank:	6.75 GAL		
Engine:	6.6L GM DURAMAX		



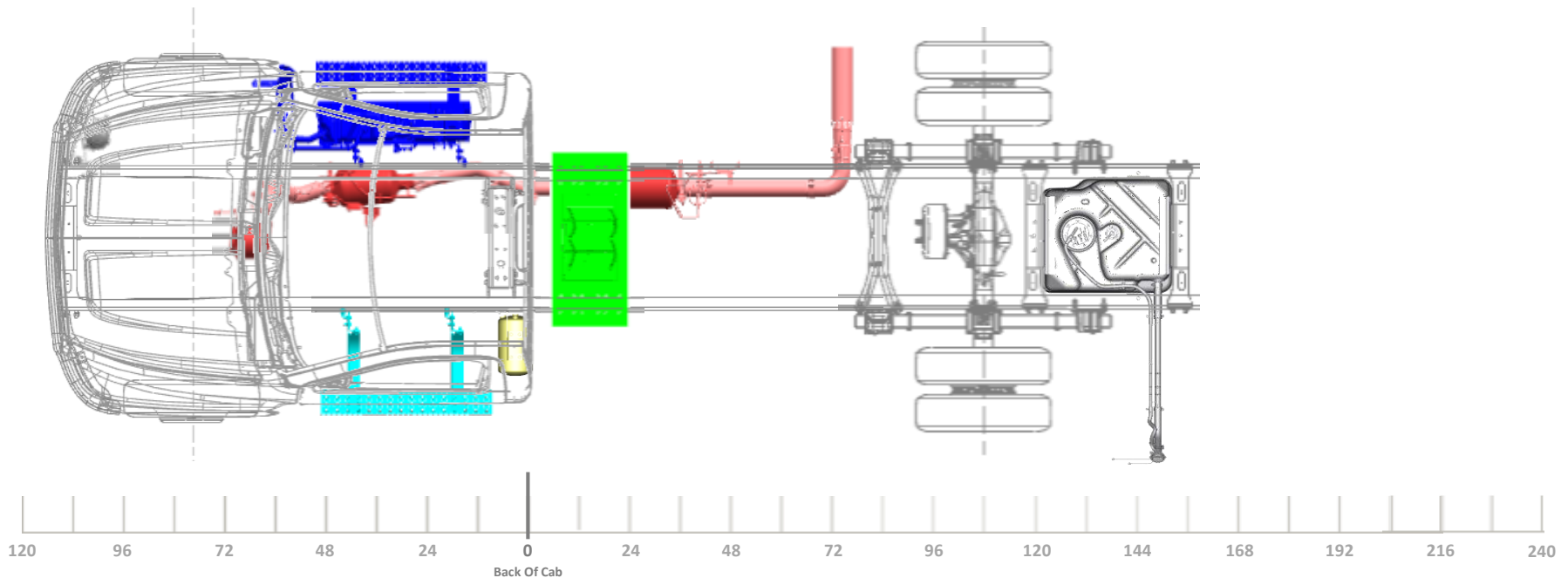
Silverado Medium Duty 4500HD/5500HD/6500HD

Model/Feature Information		General Configuration Information	Minimum Wheelbase
Model:	C56403 K56403	4X2 TRUCK CONFIGURATION IROS REAR SUSPENSION	189" WB (108" CA) 63" OR 75" AF
Cab:	REGULAR CAB		
Aftertreatment:	HORIZONTAL	SIDE EXIT TAILPIPE AHEAD OF REAR WHEELS, RT SIDE (RPO NPK)	
Fuel Tank:	RPO N2L 40 GAL, AF MTD		
Battery Box:	RPO 7Y7/7Y8 28" STEEL, 2 BATTERIES	OPTIONAL AIR DRYER FWD OUTSIDE RT (RPO KUT/JPY)	
Air Tanks:	(1) OUTSIDE LEFT		
DEF Tank:	6.75 GAL		
Engine:	6.6L GM DURAMAX		



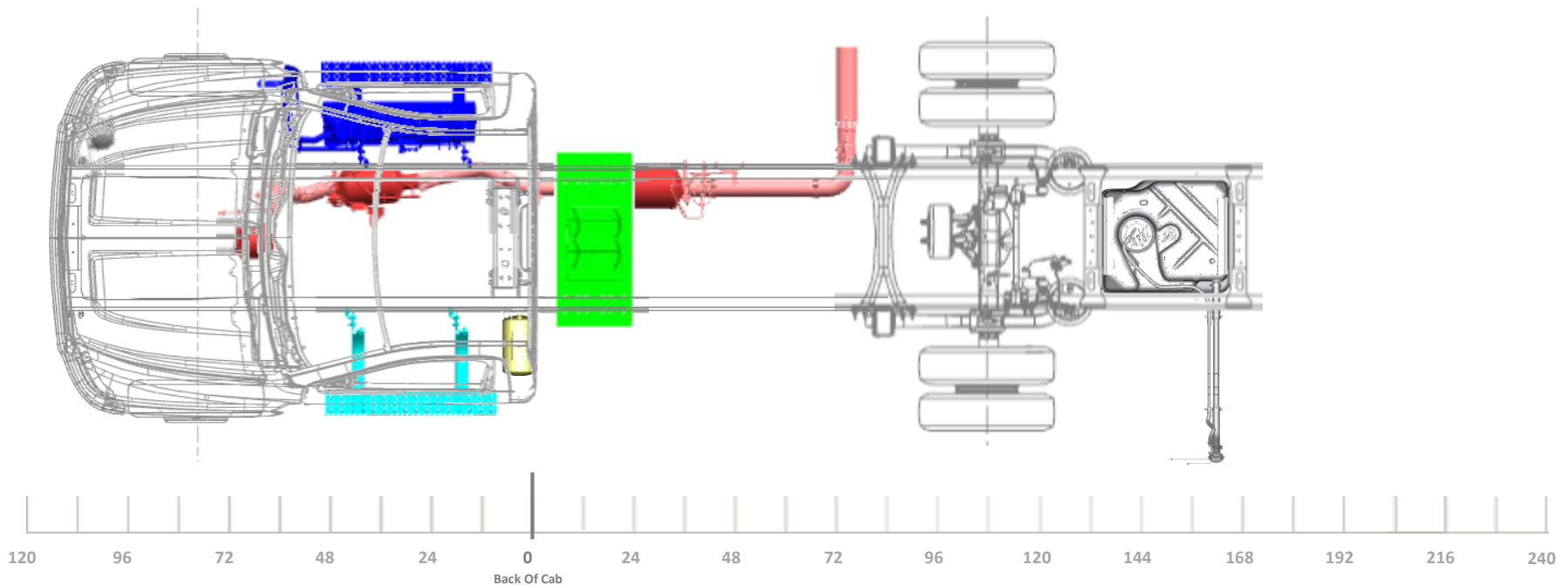
Silverado Medium Duty 4500HD/5500HD/6500HD

Model/Feature Information		General Configuration Information	Minimum Wheelbase
Model:	C56403 K56403	4X2 OR 4X4 TRUCK CONFIGURATION	189" WB (108" CA) 49", 63", OR 75" AF
Cab:	REGULAR CAB		
Aftertreatment:	HORIZONTAL	SIDE EXIT TAILPIPE AHEAD OF REAR WHEELS, RT SIDE (RPO NPK)	
Fuel Tank:	RPO N2L 40 GAL, AF MTD		
Battery Box:	RPO 7Y9 TEMP MTD, 3 BATT	OPTIONAL AIR DRYER FWD OUTSIDE RT (RPO KUT/JPY)	
Air Tanks:	(1) OUTSIDE LEFT		
DEF Tank:	6.75 GAL		
Engine:	6.6L GM DURAMAX		



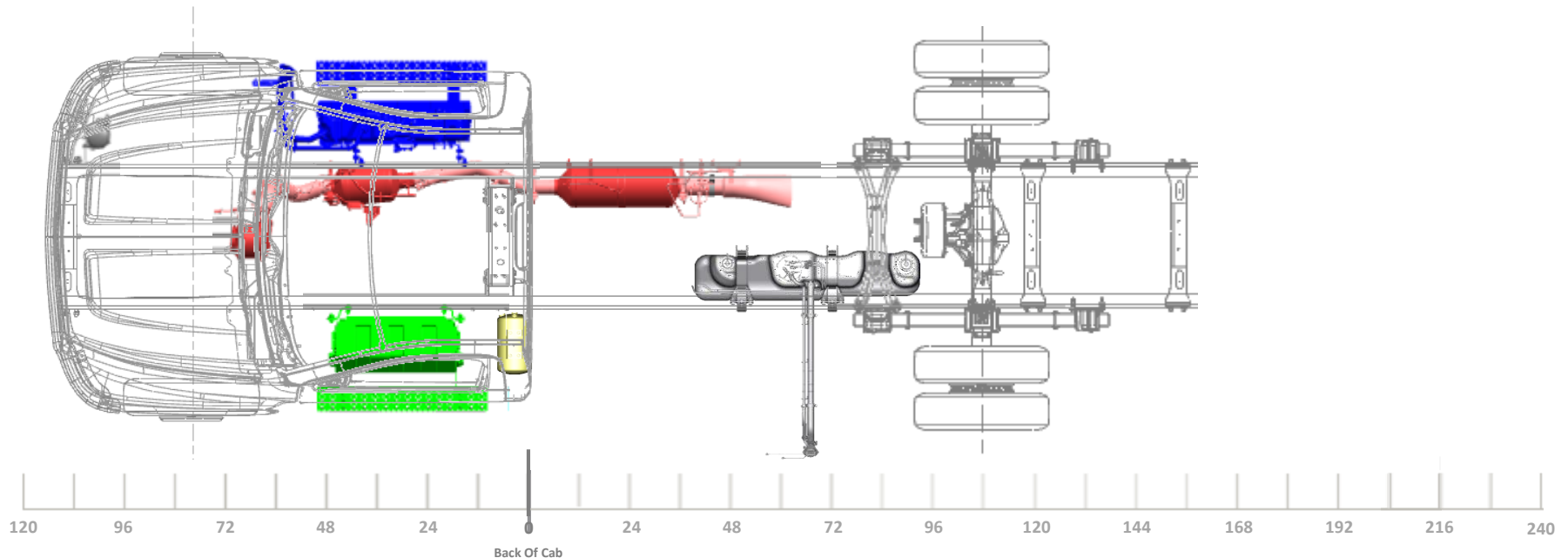
Silverado Medium Duty 4500HD/5500HD/6500HD

Model/Feature Information		General Configuration Information	Minimum Wheelbase
Model:	C56403 K56403	4X2 TRUCK CONFIGURATION IROS REAR SUSPENSION	189" WB (108" CA) 63" OR 75" AF
Cab:	REGULAR CAB		
Aftertreatment:	HORIZONTAL	SIDE EXIT TAILPIPE AHEAD OF REAR WHEELS, RT SIDE (RPO NPK)	
Fuel Tank:	RPO N2L 40 GAL, AF MTD		
Battery Box:	RPO 7Y9 TEMP MTD, 3 BATT	OPTIONAL AIR DRYER FWD OUTSIDE RT (RPO KUT/JPY)	
Air Tanks:	(1) OUTSIDE LEFT		
DEF Tank:	6.75 GAL		
Engine:	6.6L GM DURAMAX		



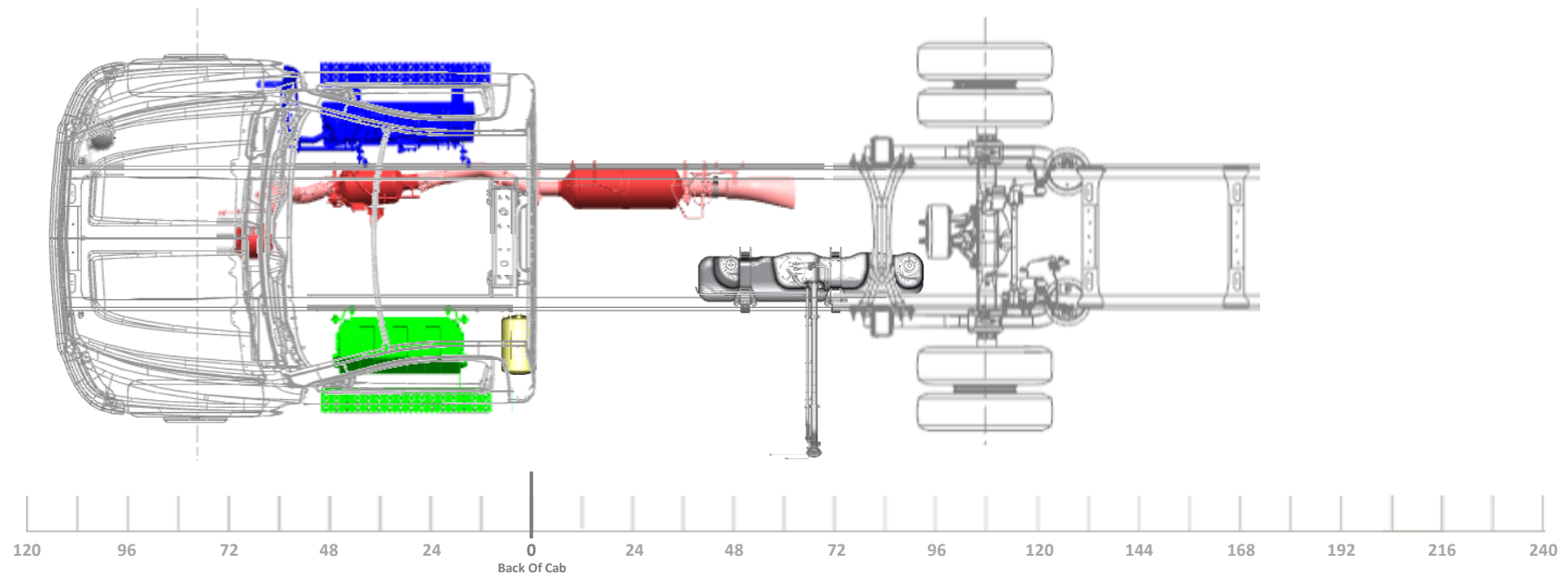
Silverado Medium Duty 4500HD/5500HD/6500HD

Model/Feature Information		General Configuration Information	Minimum Wheelbase
Model:	C56403 K56403	4X2 OR 4X4 TRUCK CONFIGURATION	189" WB (108" CA) 49", 63", OR 75" AF
Cab:	REGULAR CAB		
Aftertreatment:	HORIZONTAL	STRAIGHT TAILPIPE (RPO N12)	
Fuel Tank:	RPO NVK 25 GAL, CA MTD		
Battery Box:	RPO 7Y7/7Y8 28" STEEL, 2 BATTERIES	OPTIONAL AIR DRYER FWD OUTSIDE RT (RPO KUT/JPY)	
Air Tanks:	(1) OUTSIDE LEFT		
DEF Tank:	6.75 GAL		
Engine:	6.6L GM DURAMAX		



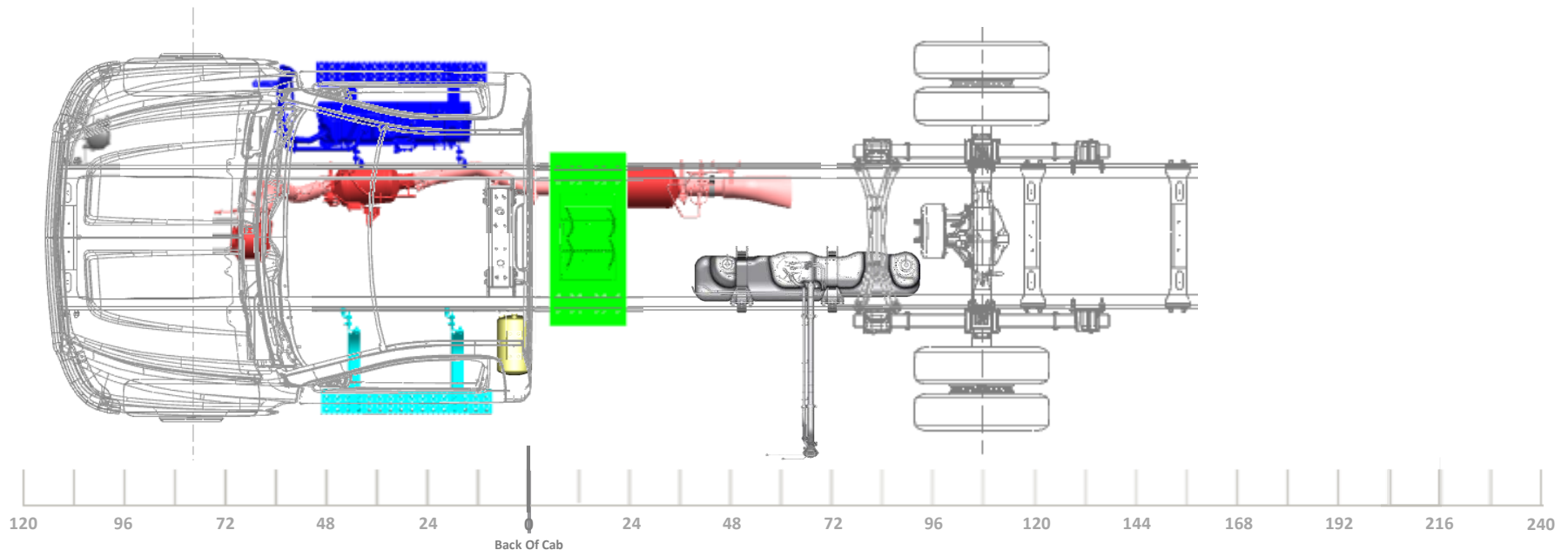
Silverado Medium Duty 4500HD/5500HD/6500HD

Model/Feature Information		General Configuration Information	Minimum Wheelbase
Model:	C56403 K56403	4X2 TRUCK CONFIGURATION IROS REAR SUSPENSION	189" WB (108" CA) 63" OR 75" AF
Cab:	REGULAR CAB		
Aftertreatment:	HORIZONTAL	STRAIGHT TAILPIPE (RPO N12)	
Fuel Tank:	RPO NVK 25 GAL, CA MTD		
Battery Box:	RPO 7Y7/7Y8 28" STEEL, 2 BATTERIES	OPTIONAL AIR DRYER FWD OUTSIDE RT (RPO KUT/JPY)	
Air Tanks:	(1) OUTSIDE LEFT		
DEF Tank:	6.75 GAL		
Engine:	6.6L GM DURAMAX		



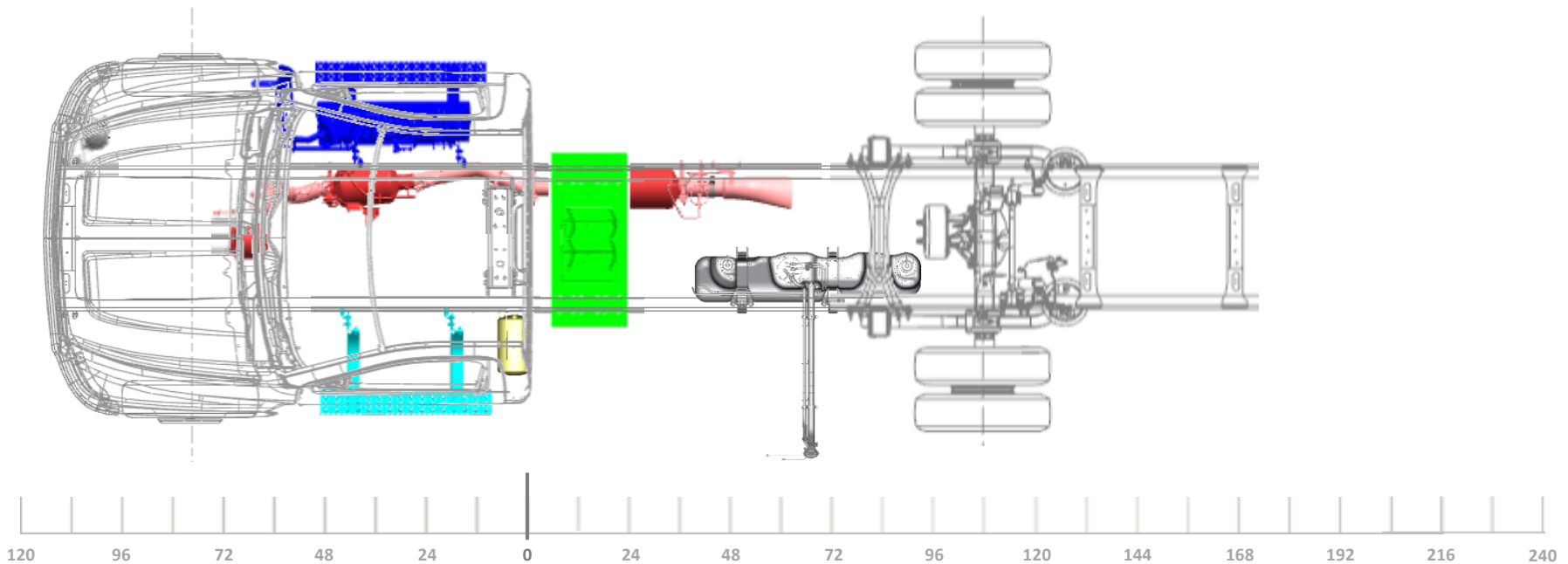
Silverado Medium Duty 4500HD/5500HD/6500HD

Model/Feature Information		General Configuration Information	Minimum Wheelbase
Model:	C56403 K56403	4X2 OR 4X4 TRUCK CONFIGURATION	189" WB (108" CA) 49", 63", OR 75" AF
Cab:	REGULAR CAB		
Aftertreatment:	HORIZONTAL	STRAIGHT TAILPIPE (RPO N12)	
Fuel Tank:	RPO NVK 25 GAL, CA MTD		
Battery Box:	RPO 7Y9 TEMP MTD, 3 BATT	OPTIONAL AIR DRYER FWD OUTSIDE RT (RPO KUT/JPY)	
Air Tanks:	(1) OUTSIDE LEFT		
DEF Tank:	6.75 GAL		
Engine:	6.6L GM DURAMAX		



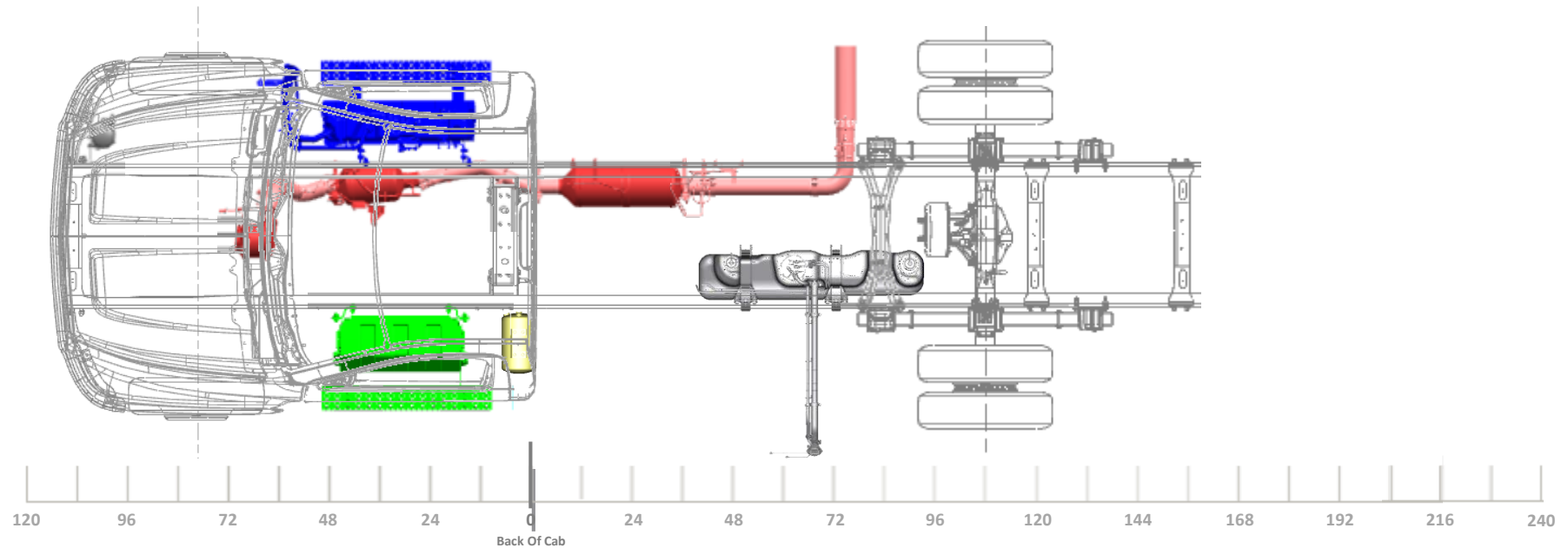
Silverado Medium Duty 4500HD/5500HD/6500HD

Model/Feature Information		General Configuration Information	Minimum Wheelbase
Model:	C56403 K56403	4X2 TRUCK CONFIGURATION IROS REAR SUSPENSION	189" WB (108" CA) 63" OR 75" AF
Cab:	REGULAR CAB		
Aftertreatment:	HORIZONTAL	STRAIGHT TAILPIPE (RPO N12)	
Fuel Tank:	RPO NVK 25 GAL, CA MTD		
Battery Box:	RPO 7Y9 TEMP MTD, 3 BATT	OPTIONAL AIR DRYER FWD OUTSIDE RT (RPO KUT/JPY)	
Air Tanks:	(1) OUTSIDE LEFT		
DEF Tank:	6.75 GAL		
Engine:	6.6L GM DURAMAX		



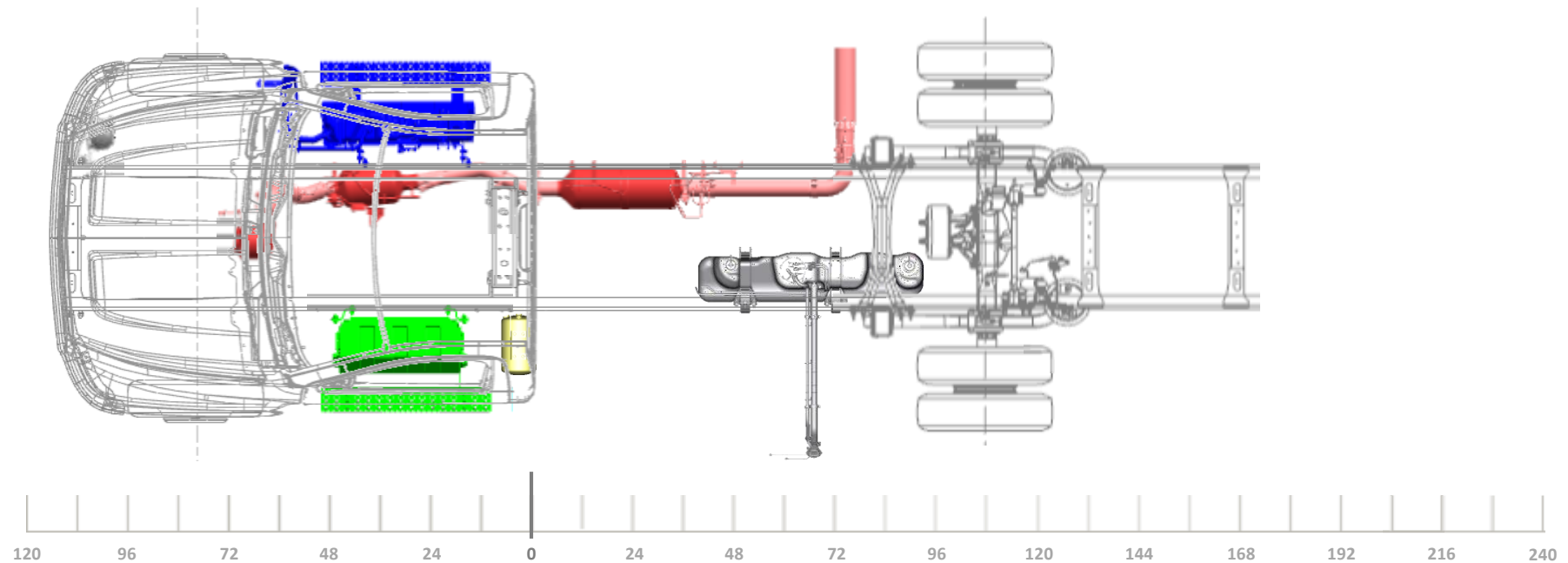
Silverado Medium Duty 4500HD/5500HD/6500HD

Model/Feature Information		General Configuration Information	Minimum Wheelbase
Model:	C56403 K56403	4X2 OR 4X4 TRUCK CONFIGURATION	189" WB (108" CA) 49", 63", OR 75" AF
Cab:	REGULAR CAB		
Aftertreatment:	HORIZONTAL	SIDE EXIT TAILPIPE AHEAD OF REAR WHEELS, RT SIDE (RPO NPK)	
Fuel Tank:	RPO NVK 25 GAL, CA MTD		
Battery Box:	RPO 7Y7/7Y8 28" STEEL, 2 BATTERIES	OPTIONAL AIR DRYER FWD OUTSIDE RT (RPO KUT/JPY)	
Air Tanks:	(1) OUTSIDE LEFT		
DEF Tank:	6.75 GAL		
Engine:	6.6L GM DURAMAX		



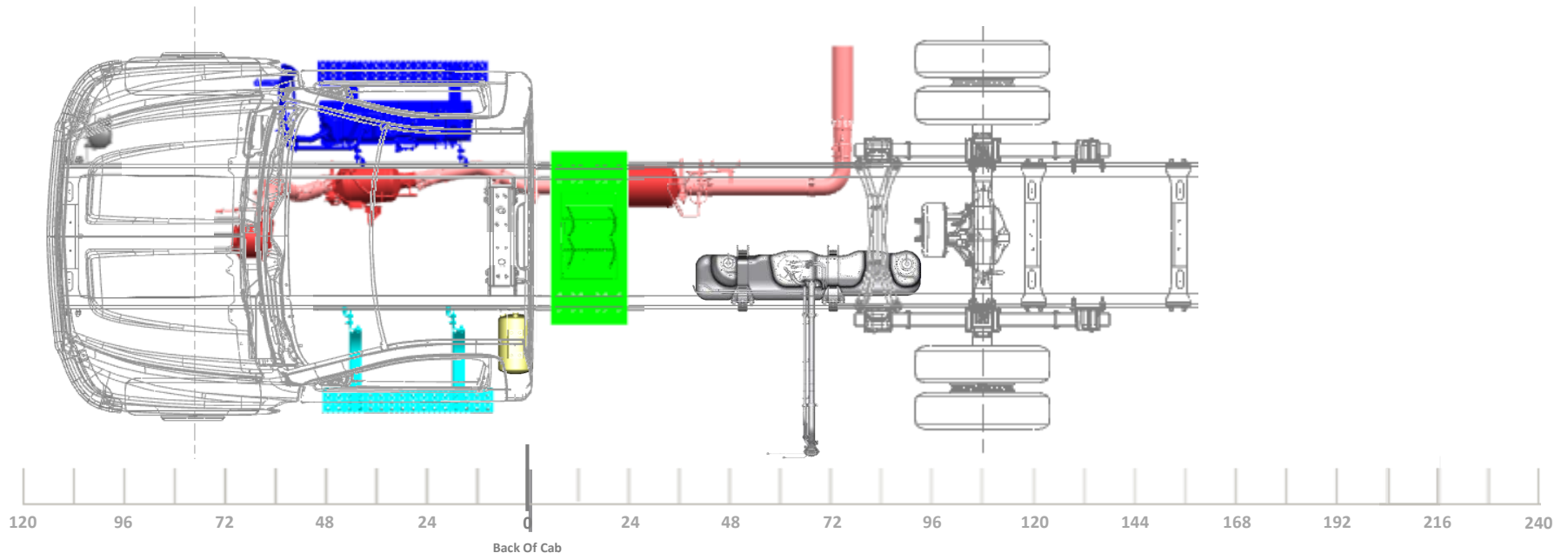
Silverado Medium Duty 4500HD/5500HD/6500HD

Model/Feature Information		General Configuration Information	Minimum Wheelbase
Model:	C56403 K56403	4X2 TRUCK CONFIGURATION IROS REAR SUSPENSION	189" WB (108" CA) 63" OR 75" AF
Cab:	REGULAR CAB		
Aftertreatment:	HORIZONTAL	SIDE EXIT TAILPIPE AHEAD OF REAR WHEELS, RT SIDE (RPO NPK)	
Fuel Tank:	RPO NVK 25 GAL, CA MTD		
Battery Box:	RPO 7Y7/7Y8 28" STEEL, 2 BATTERIES	OPTIONAL AIR DRYER FWD OUTSIDE RT (RPO KUT/JPY)	
Air Tanks:	(1) OUTSIDE LEFT		
DEF Tank:	6.75 GAL		
Engine:	6.6L GM DURAMAX		



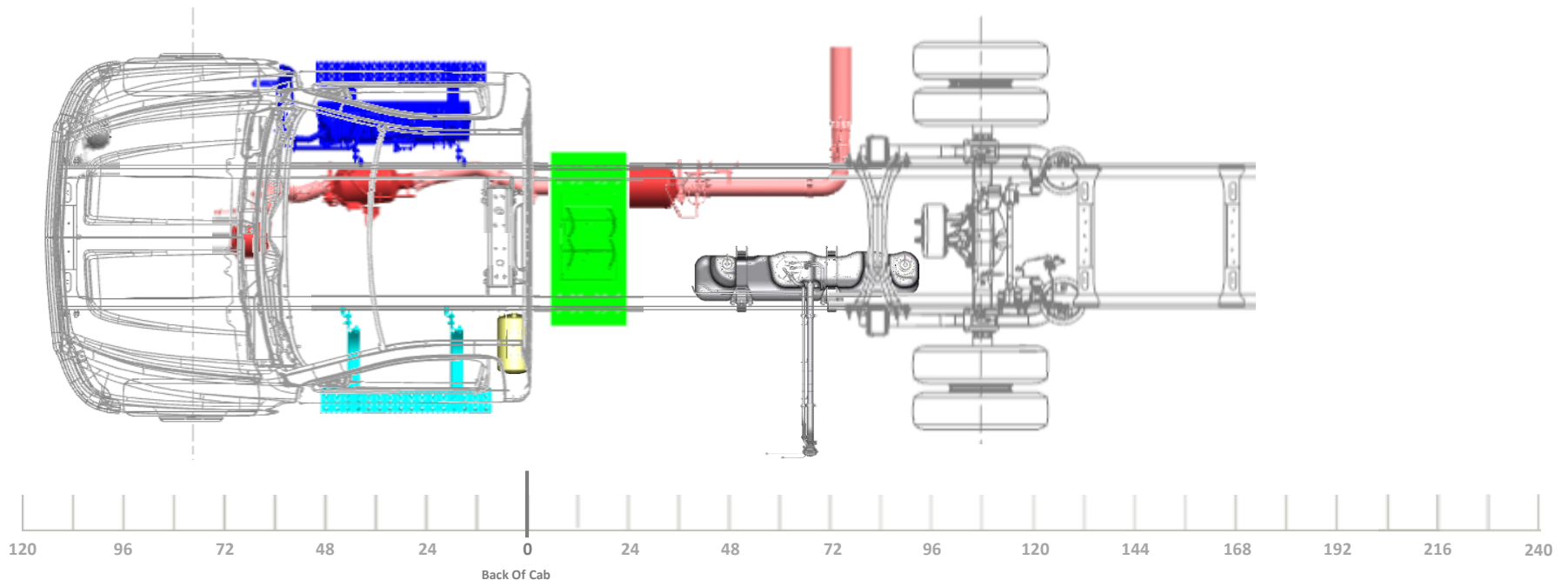
Silverado Medium Duty 4500HD/5500HD/6500HD

Model/Feature Information		General Configuration Information	Minimum Wheelbase
Model:	C56403 K56403	4X2 OR 4X4 TRUCK CONFIGURATION	189" WB (108" CA) 49", 63", OR 75" AF
Cab:	REGULAR CAB		
Aftertreatment:	HORIZONTAL	SIDE EXIT TAILPIPE AHEAD OF REAR WHEELS, RT SIDE (RPO NPK)	
Fuel Tank:	RPO NVK 25 GAL, CA MTD		
Battery Box:	RPO 7Y9 TEMP MTD, 3 BATT	OPTIONAL AIR DRYER FWD OUTSIDE RT (RPO KUT/JPY)	
Air Tanks:	(1) OUTSIDE LEFT		
DEF Tank:	6.75 GAL		
Engine:	6.6L GM DURAMAX		



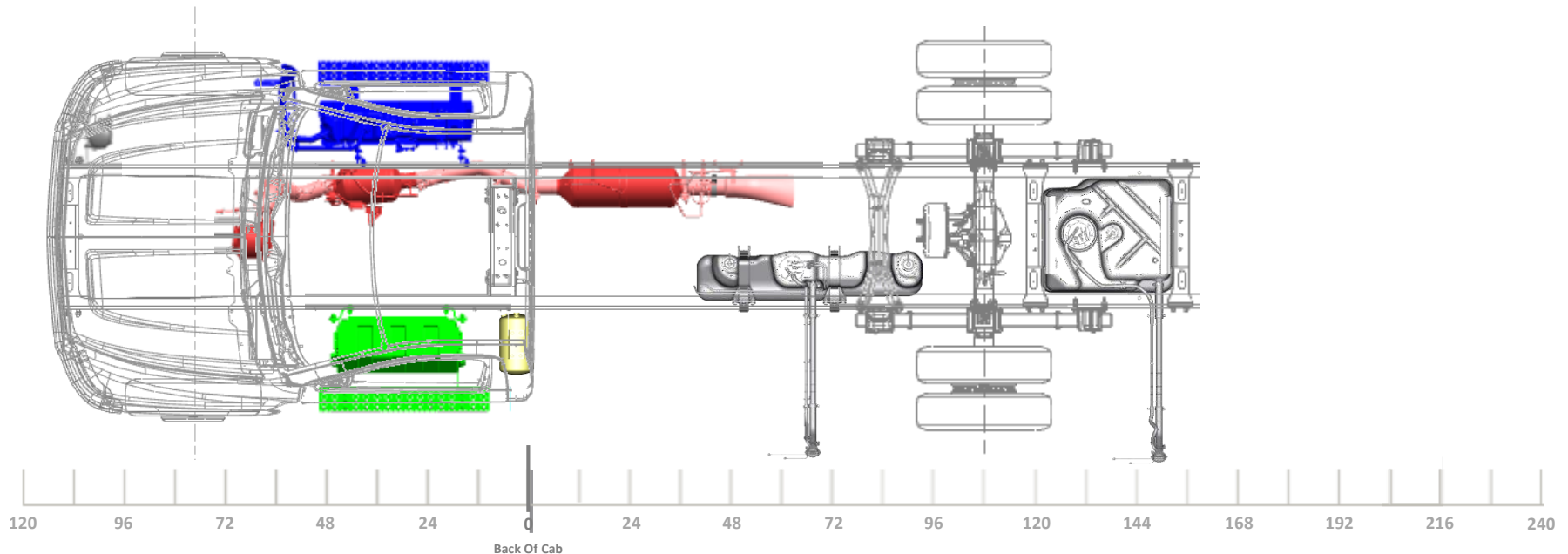
Silverado Medium Duty 4500HD/5500HD/6500HD

Model/Feature Information		General Configuration Information	Minimum Wheelbase
Model:	C56403 K56403	4X2 TRUCK CONFIGURATION IROS REAR SUSPENSION	189" WB (108" CA) 63" OR 75" AF
Cab:	REGULAR CAB		
Aftertreatment:	HORIZONTAL	SIDE EXIT TAILPIPE AHEAD OF REAR WHEELS, RT SIDE (RPO NPK)	
Fuel Tank:	RPO NVK 25 GAL, CA MTD		
Battery Box:	RPO 7Y9 TEMP MTD, 3 BATT	OPTIONAL AIR DRYER FWD OUTSIDE RT (RPO KUT/JPY)	
Air Tanks:	(1) OUTSIDE LEFT		
DEF Tank:	6.75 GAL		
Engine:	6.6L GM DURAMAX		



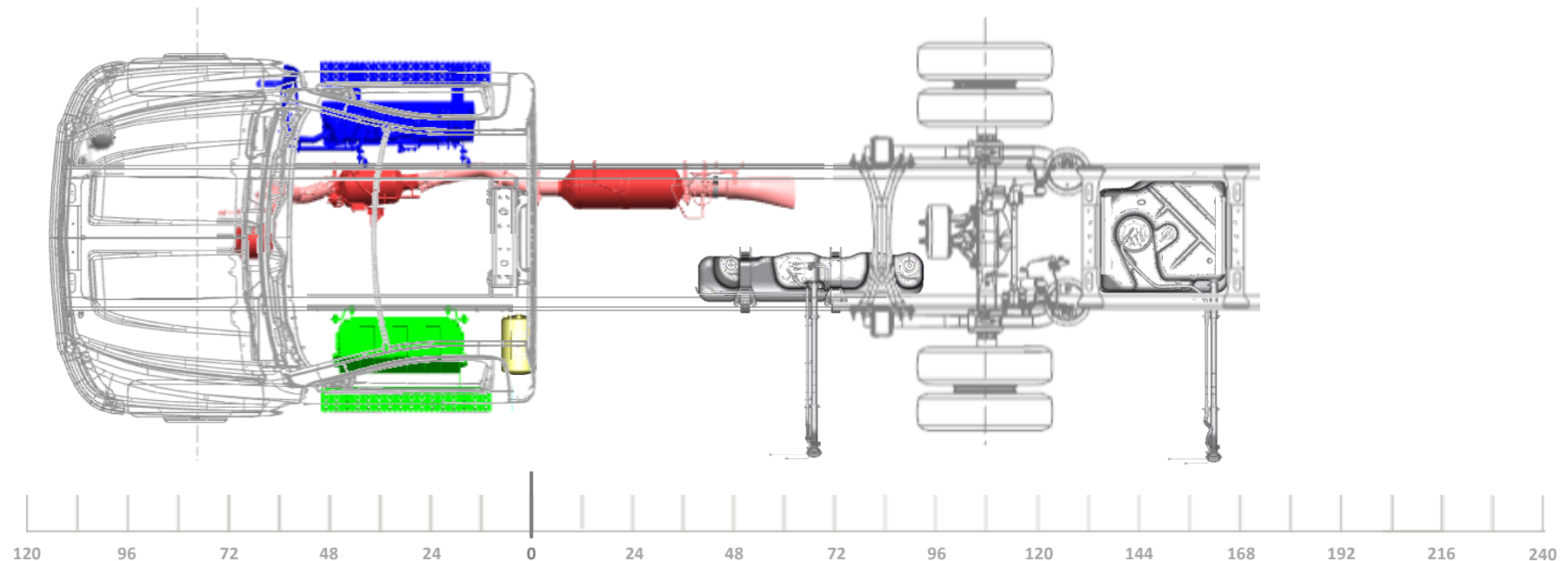
Silverado Medium Duty 4500HD/5500HD/6500HD

Model/Feature Information		General Configuration Information	Minimum Wheelbase
Model:	C56403 K56403	4X2 OR 4X4 TRUCK CONFIGURATION	189" WB (108" CA) 49", 63", OR 75" AF
Cab:	REGULAR CAB		
Aftertreatment:	HORIZONTAL	STRAIGHT TAILPIPE (RPO N12)	
Fuel Tank:	RPO NSQ DUAL 25G CA, 40G AF		
Battery Box:	RPO 7Y7/7Y8 28" STEEL, 2 BATTERIES	OPTIONAL AIR DRYER FWD OUTSIDE RT (RPO KUT/JPY)	
Air Tanks:	(1) OUTSIDE LEFT		
DEF Tank:	6.75 GAL		
Engine:	6.6L GM DURAMAX		



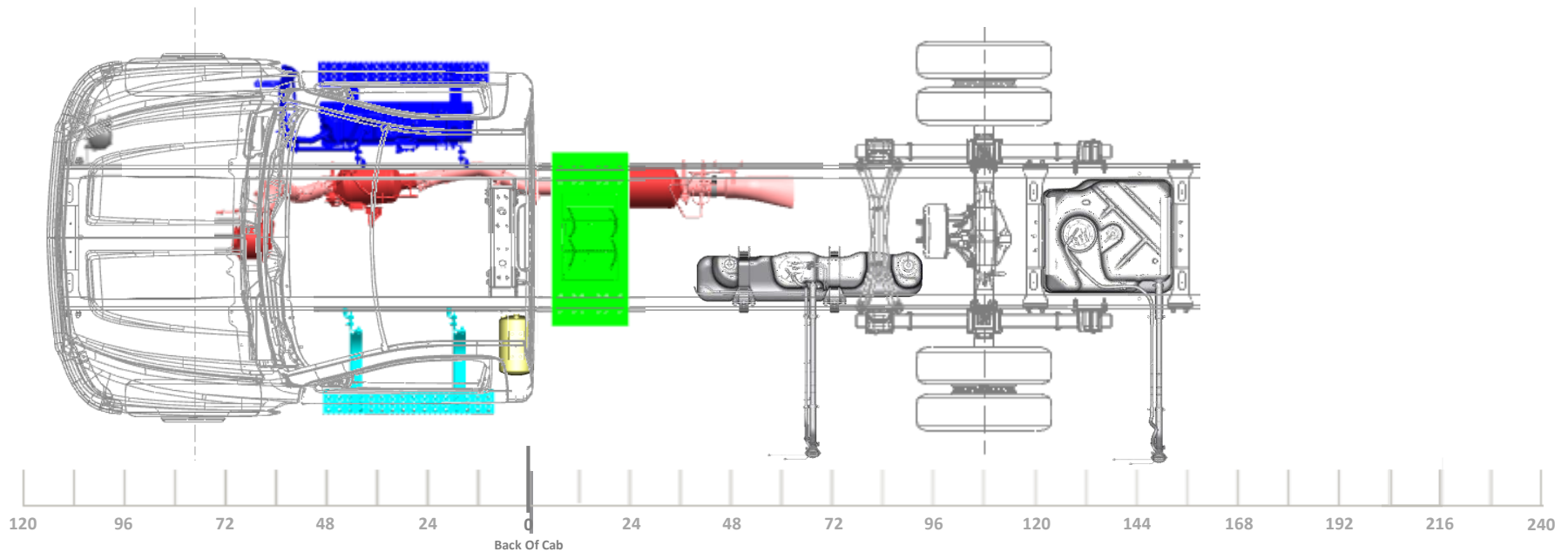
Silverado Medium Duty 4500HD/5500HD/6500HD

Model/Feature Information		General Configuration Information	Minimum Wheelbase
Model:	C56403 K56403	4X2 TRUCK CONFIGURATION IROS REAR SUSPENSION	189" WB (108" CA) 63" OR 75" AF
Cab:	REGULAR CAB		
Aftertreatment:	HORIZONTAL	STRAIGHT TAILPIPE (RPO N12)	
Fuel Tank:	RPO NSQ DUAL 25G CA, 40G AF		
Battery Box:	RPO 7Y7/7Y8 28" STEEL, 2 BATTERIES	OPTIONAL AIR DRYER FWD OUTSIDE RT (RPO KUT/JPY)	
Air Tanks:	(1) OUTSIDE LEFT		
DEF Tank:	6.75 GAL		
Engine:	6.6L GM DURAMAX		



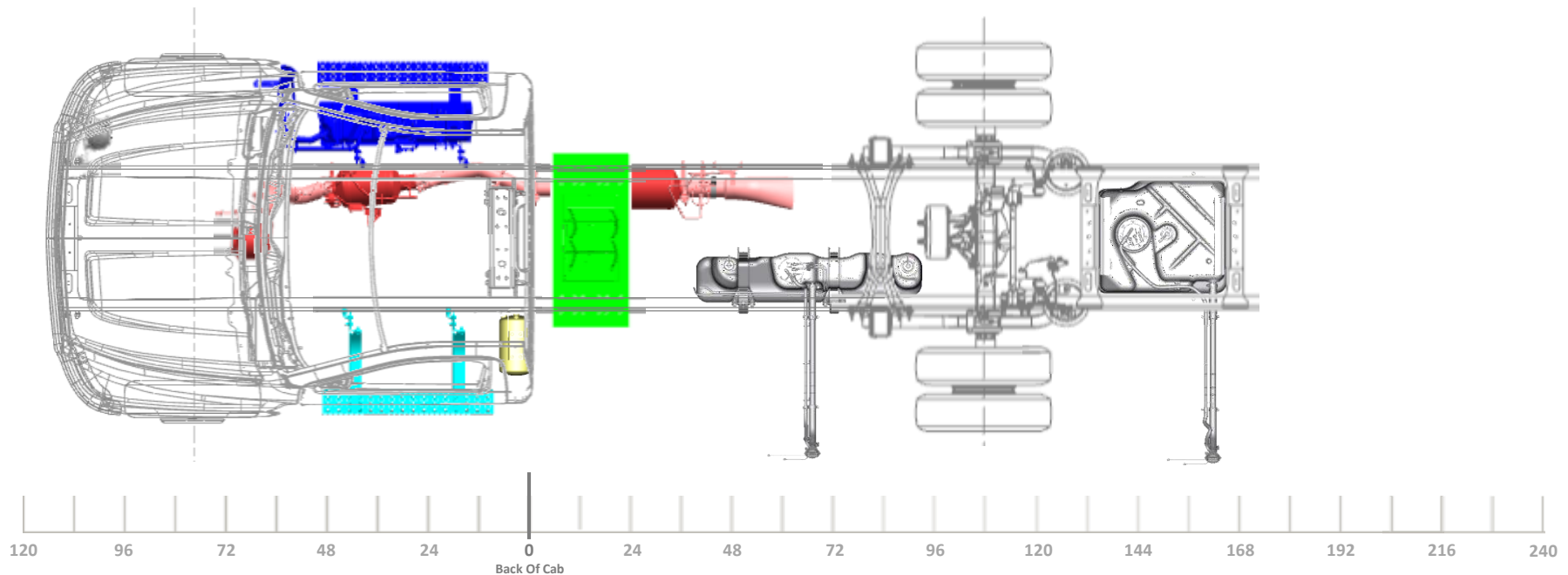
Silverado Medium Duty 4500HD/5500HD/6500HD

Model/Feature Information		General Configuration Information	Minimum Wheelbase
Model:	C56403 K56403	4X2 OR 4X4 TRUCK CONFIGURATION	189" WB (108" CA) 49", 63", OR 75" AF
Cab:	REGULAR CAB		
Aftertreatment:	HORIZONTAL	STRAIGHT TAILPIPE (RPO N12)	
Fuel Tank:	RPO NSQ DUAL 25G CA, 40G AF		
Battery Box:	RPO 7Y9 TEMP MTD, 3 BATT	OPTIONAL AIR DRYER FWD OUTSIDE RT (RPO KUT/JPY)	
Air Tanks:	(1) OUTSIDE LEFT		
DEF Tank:	6.75 GAL		
Engine:	6.6L GM DURAMAX		



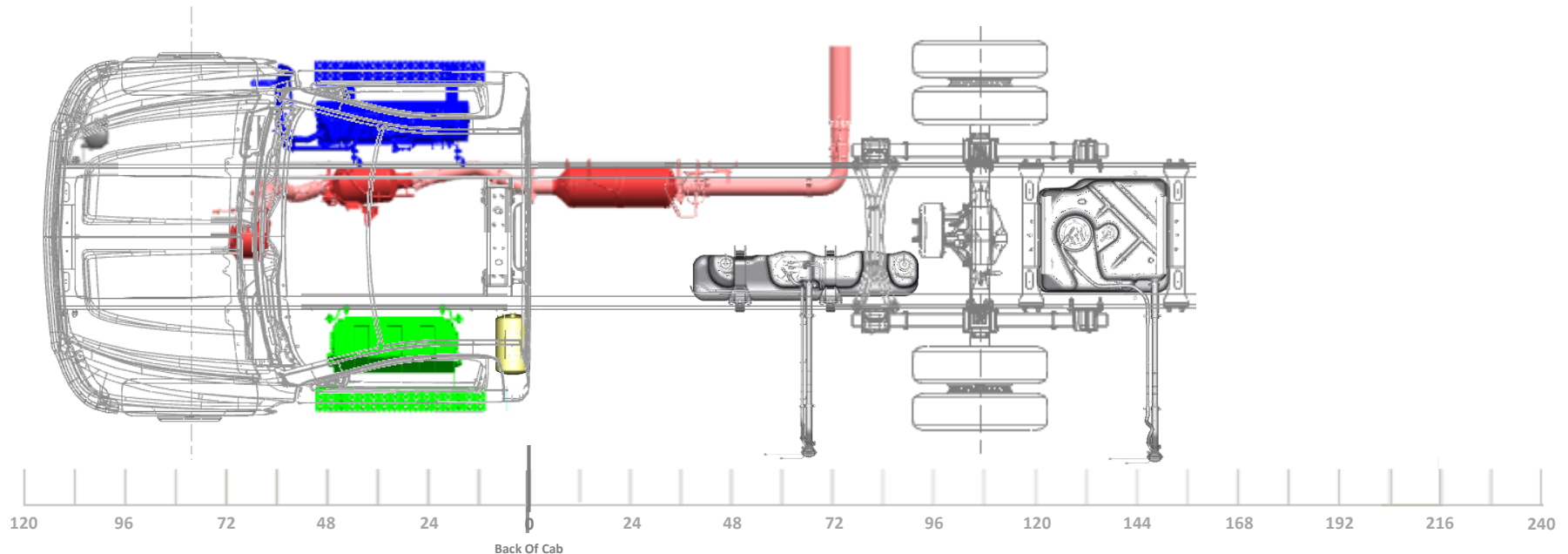
Silverado Medium Duty 4500HD/5500HD/6500HD

Model/Feature Information		General Configuration Information	Minimum Wheelbase
Model:	C56403 K56403	4X2 TRUCK CONFIGURATION IROS REAR SUSPENSION	189" WB (108" CA) 63" OR 75" AF
Cab:	REGULAR CAB		
Aftertreatment:	HORIZONTAL	STRAIGHT TAILPIPE (RPO N12)	
Fuel Tank:	RPO NSQ DUAL 25G CA, 40G AF		
Battery Box:	RPO 7Y9 TEMP MTD, 3 BATT	OPTIONAL AIR DRYER FWD OUTSIDE RT (RPO KUT/JPY)	
Air Tanks:	(1) OUTSIDE LEFT		
DEF Tank:	6.75 GAL		
Engine:	6.6L GM DURAMAX		



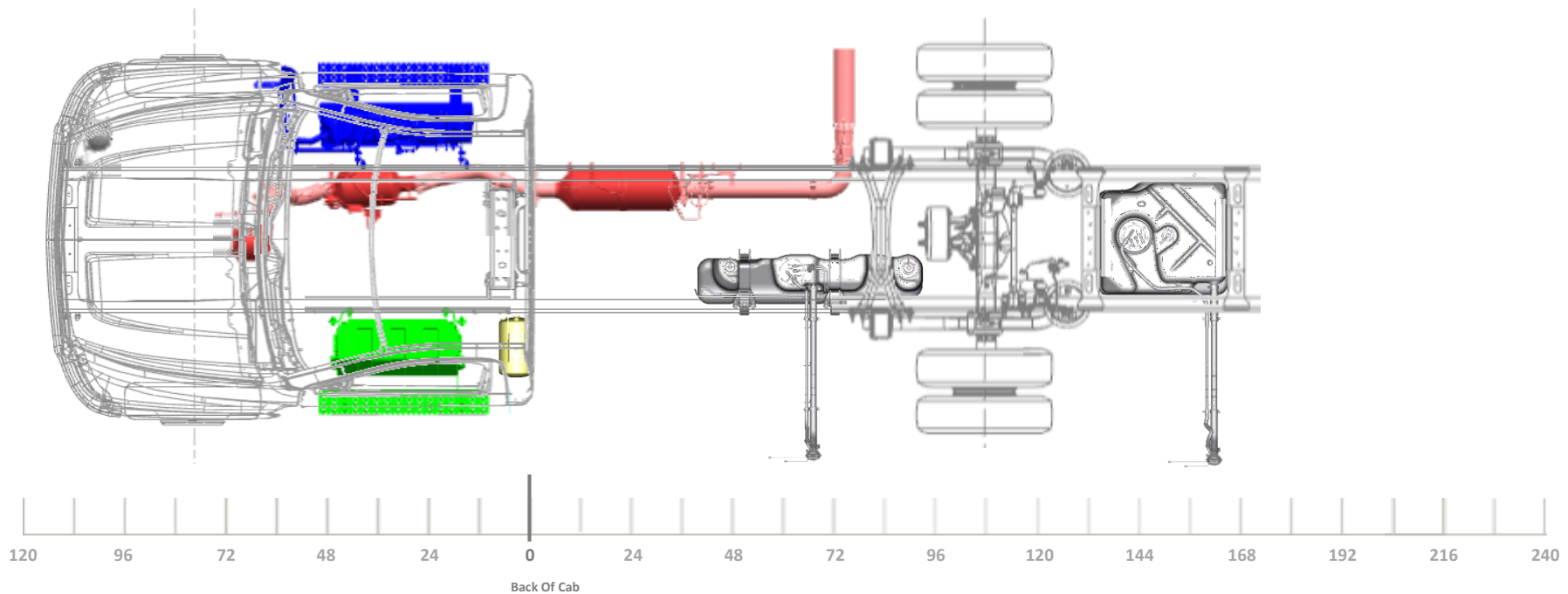
Silverado Medium Duty 4500HD/5500HD/6500HD

Model/Feature Information		General Configuration Information	Minimum Wheelbase
Model:	C56403 K56403	4X2 OR 4X4 TRUCK CONFIGURATION	189" WB (108" CA) 49", 63", OR 75" AF
Cab:	REGULAR CAB		
Aftertreatment:	HORIZONTAL	SIDE EXIT TAILPIPE AHEAD OF REAR WHEELS, RT SIDE (RPO NPK)	
Fuel Tank:	RPO NSQ DUAL 25G CA, 40G AF		
Battery Box:	RPO 7Y7/7Y8 28" STEEL, 2 BATTERIES	OPTIONAL AIR DRYER FWD OUTSIDE RT (RPO KUT/JPY)	
Air Tanks:	(1) OUTSIDE LEFT		
DEF Tank:	6.75 GAL		
Engine:	6.6L GM DURAMAX		



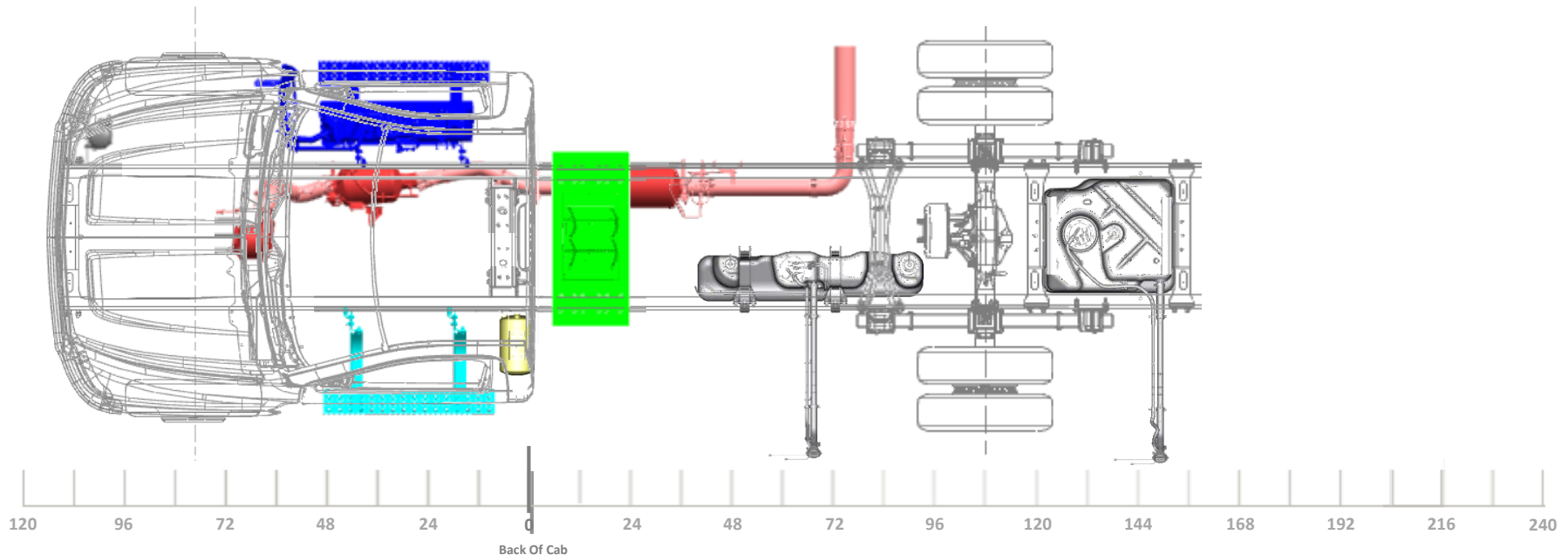
2020 Silverado Medium Duty 4500HD/5500HD/6500HD

Model/Feature Information		General Configuration Information	Minimum Wheelbase
Model:	C56403 K56403	4X2 TRUCK CONFIGURATION IROS REAR SUSPENSION	189" WB (108" CA) 63" OR 75" AF
Cab:	REGULAR CAB		
Aftertreatment:	HORIZONTAL	SIDE EXIT TAILPIPE AHEAD OF REAR WHEELS, RT SIDE (RPO NPK)	
Fuel Tank:	RPO NSQ DUAL 25G CA, 40G AF		
Battery Box:	RPO 7Y7/7Y8 28" STEEL, 2 BATTERIES	OPTIONAL AIR DRYER FWD OUTSIDE RT (RPO KUT/JPY)	
Air Tanks:	(1) OUTSIDE LEFT		
DEF Tank:	6.75 GAL		
Engine:	6.6L GM DURAMAX		



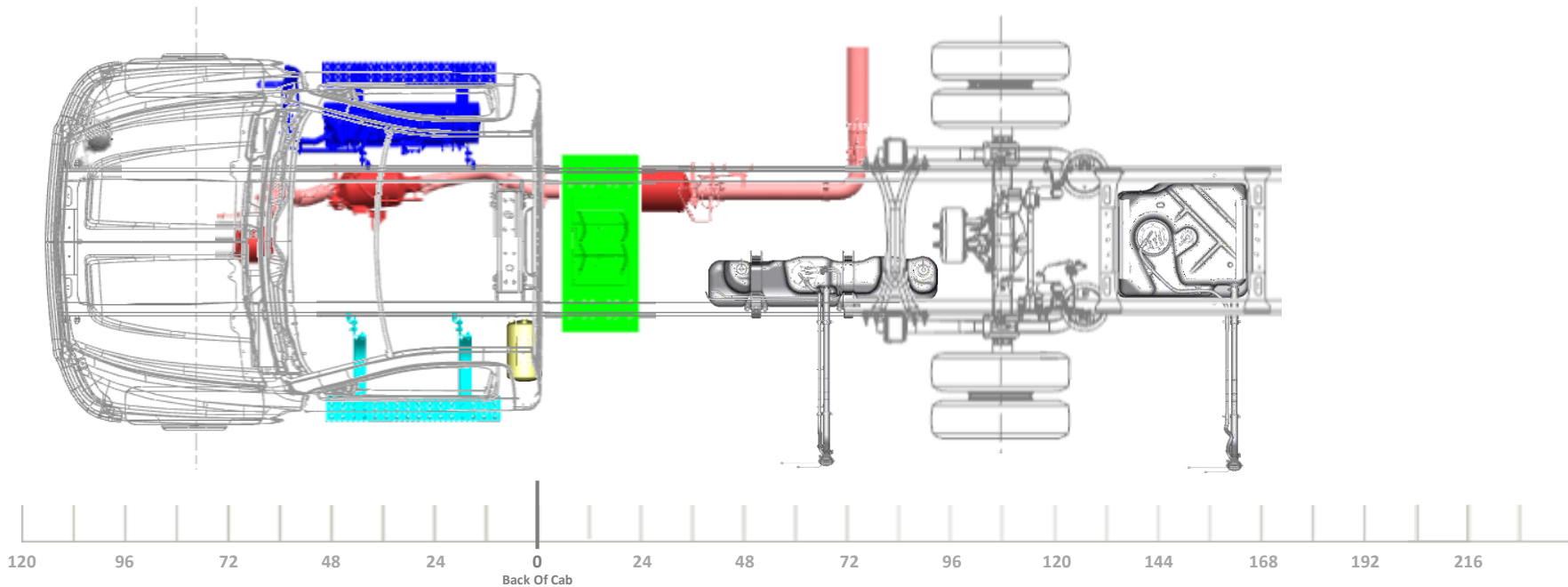
Silverado Medium Duty 4500HD/5500HD/6500HD

Model/Feature Information		General Configuration Information	Minimum Wheelbase
Model:	C56403 K56403	4X2 OR 4X4 TRUCK CONFIGURATION	189" WB (108" CA) 49", 63", OR 75" AF
Cab:	REGULAR CAB		
Aftertreatment:	HORIZONTAL	SIDE EXIT TAILPIPE AHEAD OF REAR WHEELS, RT SIDE (RPO NPK)	
Fuel Tank:	RPO NSQ DUAL 25G CA, 40G AF		
Battery Box:	RPO 7Y9 TEMP MTD, 3 BATT	OPTIONAL AIR DRYER FWD OUTSIDE RT (RPO KUT/JPY)	
Air Tanks:	(1) OUTSIDE LEFT		
DEF Tank:	6.75 GAL		
Engine:	6.6L GM DURAMAX		



2020 Silverado Medium Duty 4500HD/5500HD/6500HD

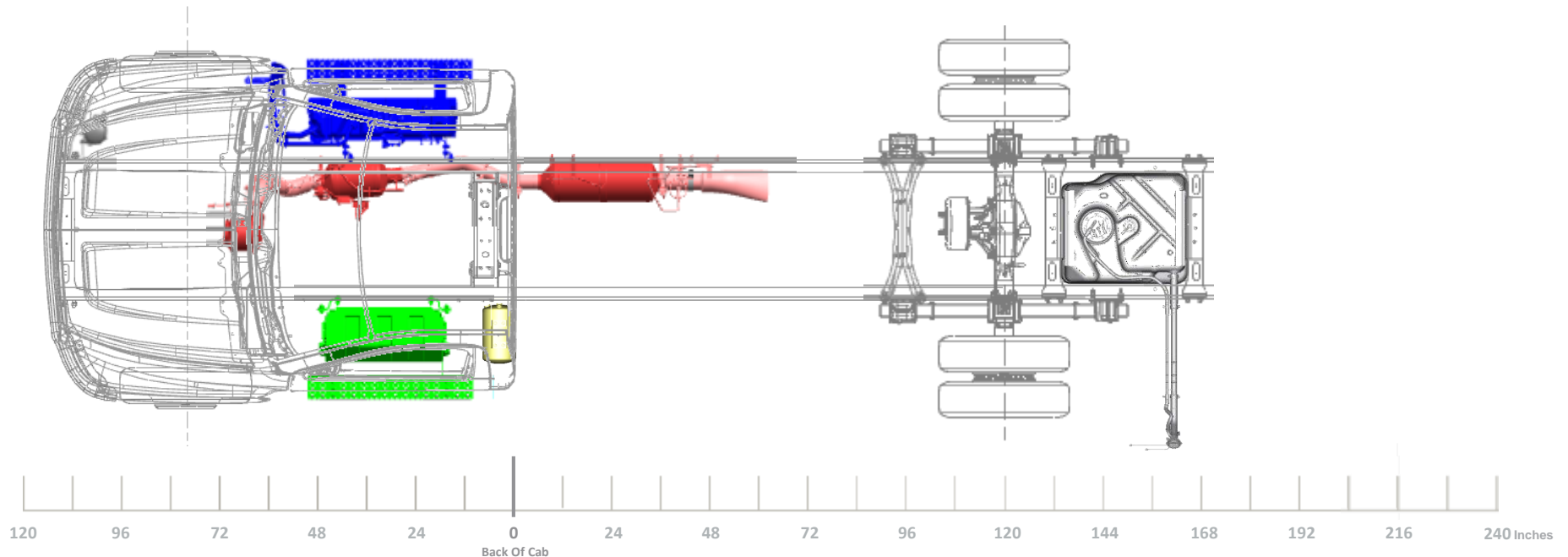
Model/Feature Information		General Configuration Information	Minimum Wheelbase
Model:	C56403 K56403	4X2 TRUCK CONFIGURATION IROS REAR SUSPENSION	189" WB (108" CA) 63" OR 75" AF
Cab:	REGULAR CAB		
Aftertreatment:	HORIZONTAL	SIDE EXIT TAILPIPE AHEAD OF REAR WHEELS, RT SIDE (RPO NPK)	
Fuel Tank:	RPO NSQ DUAL 25G CA, 40G AF		
Battery Box:	RPO 7Y9 TEMP MTD, 3 BATT	OPTIONAL AIR DRYER FWD OUTSIDE RT (RPO KUT/JPY)	
Air Tanks:	(1) OUTSIDE LEFT		
DEF Tank:	6.75 GAL		
Engine:	6.6L GM DURAMAX		



Regular Cab – 201” WB

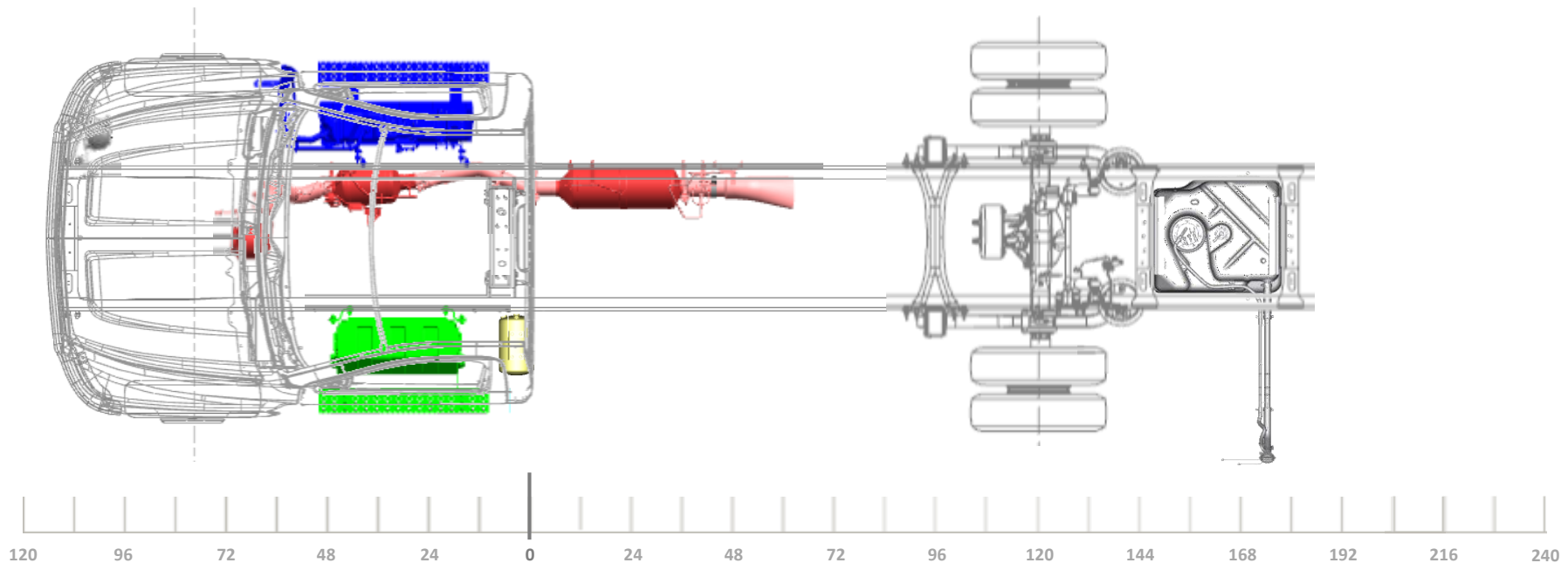
Silverado Medium Duty 4500HD/5500HD/6500HD

Model/Feature Information		General Configuration Information	Minimum Wheelbase
Model:	C56403 K56403	4X2 OR 4X4 TRUCK CONFIGURATION	201" WB (120" CA) 49", 63", OR 75" AF
Cab:	REGULAR CAB		
Aftertreatment:	HORIZONTAL	STRAIGHT TAILPIPE (RPO N12)	
Fuel Tank:	RPO N2L 40 GAL, AF MTD		
Battery Box:	RPO 7Y7/7Y8 28" STEEL, 2 BATTERIES	OPTIONAL AIR DRYER FWD OUTSIDE RT (RPO KUT/JPY)	
Air Tanks:	(1) OUTSIDE LEFT		
DEF Tank:	6.75 GAL		
Engine:	6.6L GM DURAMAX		



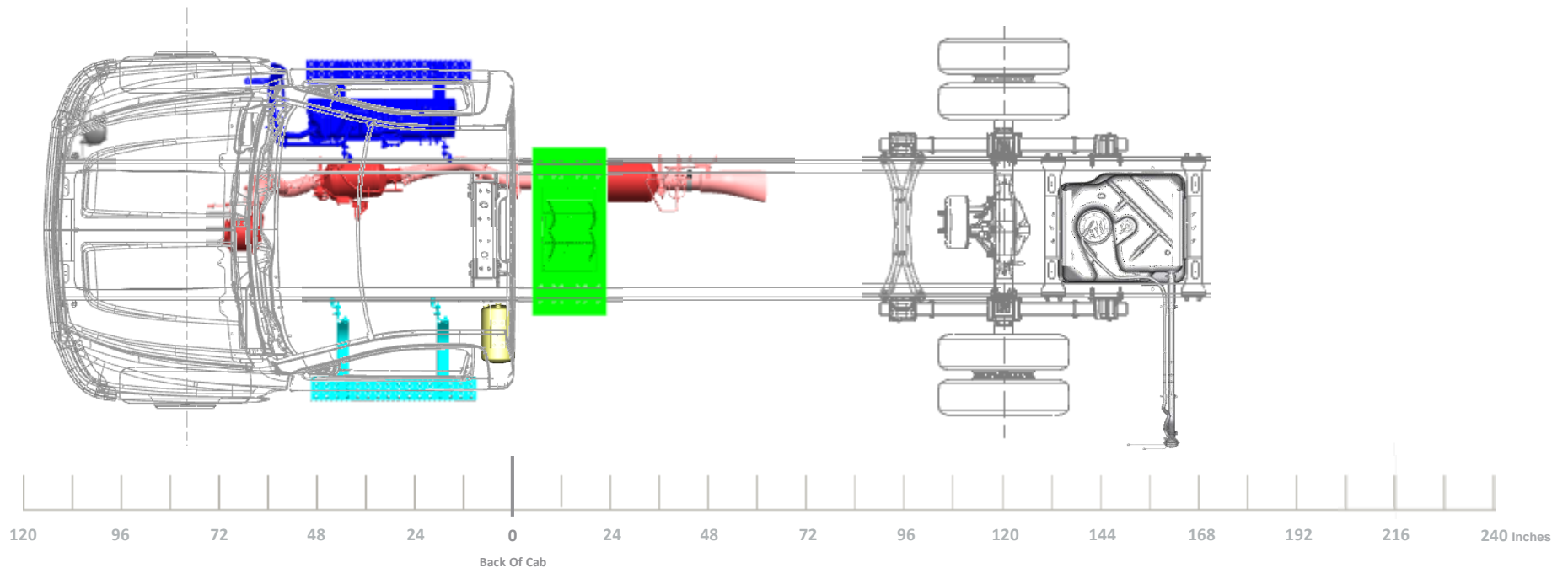
Silverado Medium Duty 4500HD/5500HD/6500HD

Model/Feature Information		General Configuration Information	Minimum Wheelbase
Model:	C56403 K56403	4X2 TRUCK CONFIGURATION IROS REAR SUSPENSION	201" WB (120" CA) 63" OR 75" AF
Cab:	REGULAR CAB		
Aftertreatment:	HORIZONTAL	STRAIGHT TAILPIPE (RPO N12)	
Fuel Tank:	RPO N2L 40 GAL, AF MTD		
Battery Box:	RPO 7Y7/7Y8 28" STEEL, 2 BATTERIES	OPTIONAL AIR DRYER FWD OUTSIDE RT (RPO KUT/JPY)	
Air Tanks:	(1) OUTSIDE LEFT		
DEF Tank:	6.75 GAL		
Engine:	6.6L GM DURAMAX		



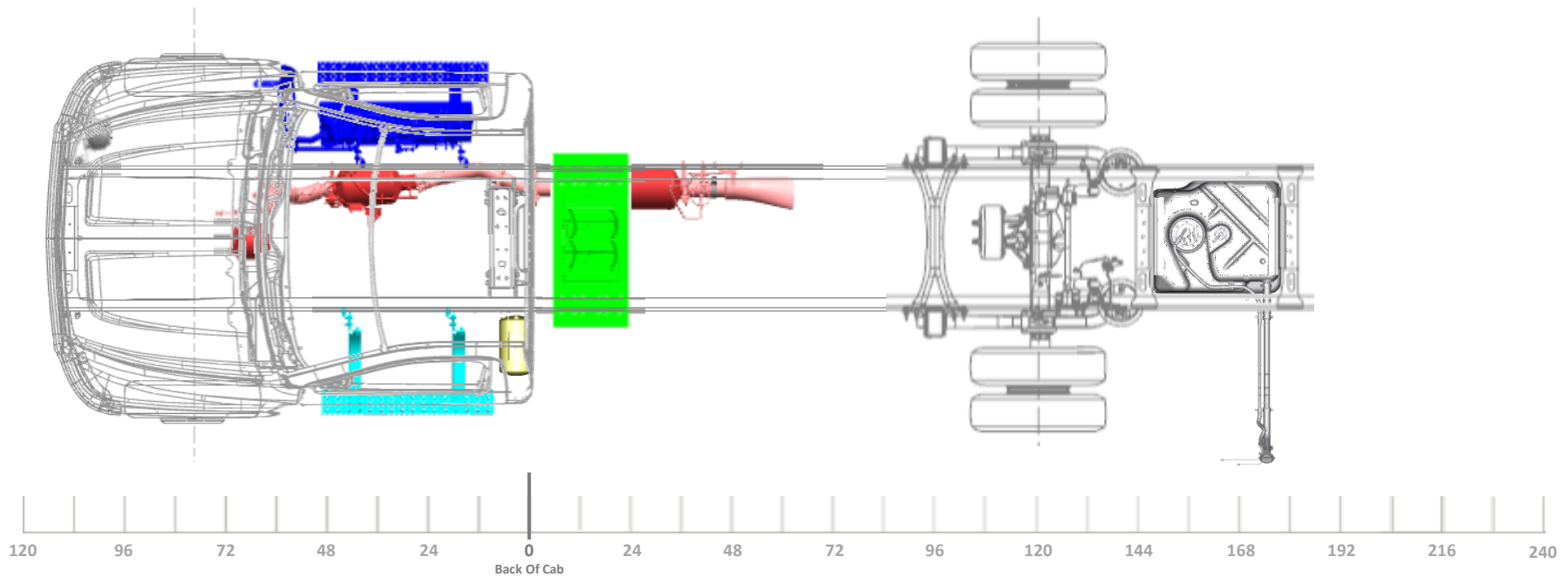
Silverado Medium Duty 4500HD/5500HD/6500HD

Model/Feature Information		General Configuration Information	Minimum Wheelbase
Model:	C56403 K56403	4X2 OR 4X4 TRUCK CONFIGURATION	201" WB (120" CA) 49", 63", OR 75" AF
Cab:	REGULAR CAB		
Aftertreatment:	HORIZONTAL	STRAIGHT TAILPIPE (RPO N12)	
Fuel Tank:	RPO N2L 40 GAL, AF MTD		
Battery Box:	RPO 7Y9 TEMP MTD, 3 BATT	OPTIONAL AIR DRYER FWD OUTSIDE RT (RPO KUT/JPY)	
Air Tanks:	(1) OUTSIDE LEFT		
DEF Tank:	6.75 GAL		
Engine:	6.6L GM DURAMAX		



Silverado Medium Duty 4500HD/5500HD/6500HD

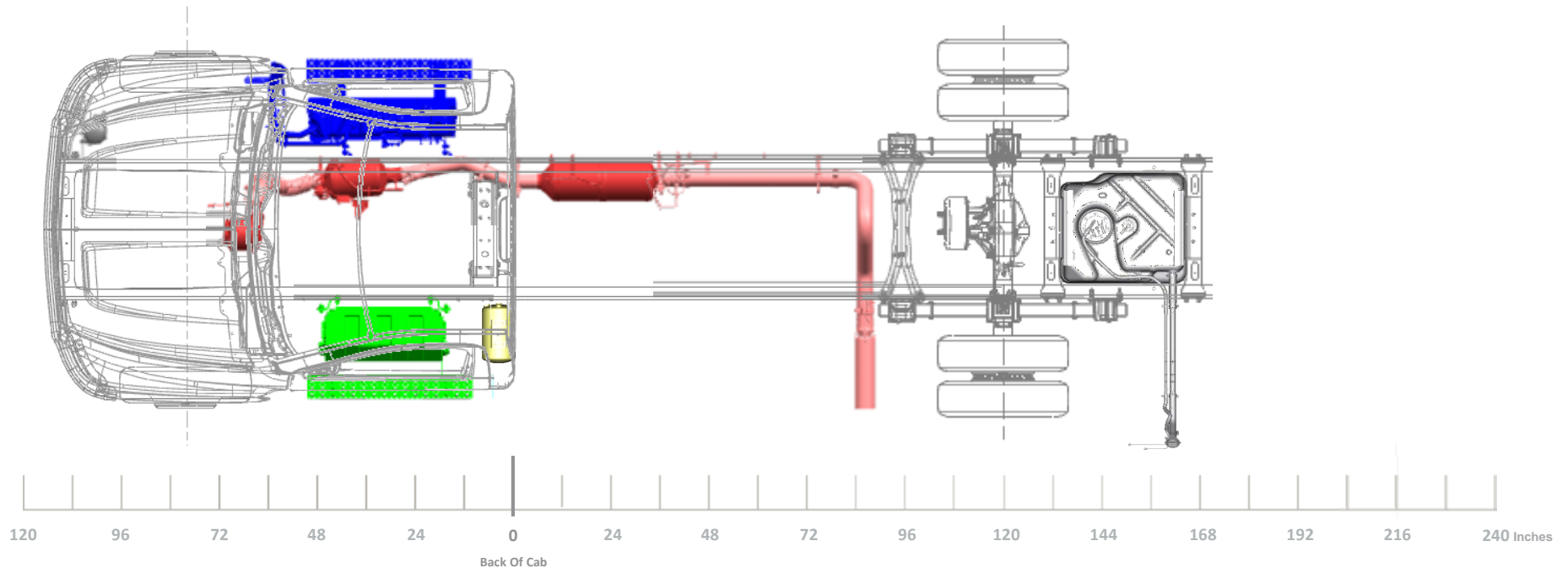
Model/Feature Information		General Configuration Information	Minimum Wheelbase
Model:	C56403 K56403	4X2 TRUCK CONFIGURATION IROS REAR SUSPENSION	201" WB (120" CA) 63" OR 75" AF
Cab:	REGULAR CAB		
Aftertreatment:	HORIZONTAL	STRAIGHT TAILPIPE (RPO N12)	
Fuel Tank:	RPO N2L 40 GAL, AF MTD		
Battery Box:	RPO 7Y9 TEMP MTD, 3 BATT	OPTIONAL AIR DRYER FWD OUTSIDE RT (RPO KUT/JPY)	
Air Tanks:	(1) OUTSIDE LEFT		
DEF Tank:	6.75 GAL		
Engine:	6.6L GM DURAMAX		



Back Of Cab

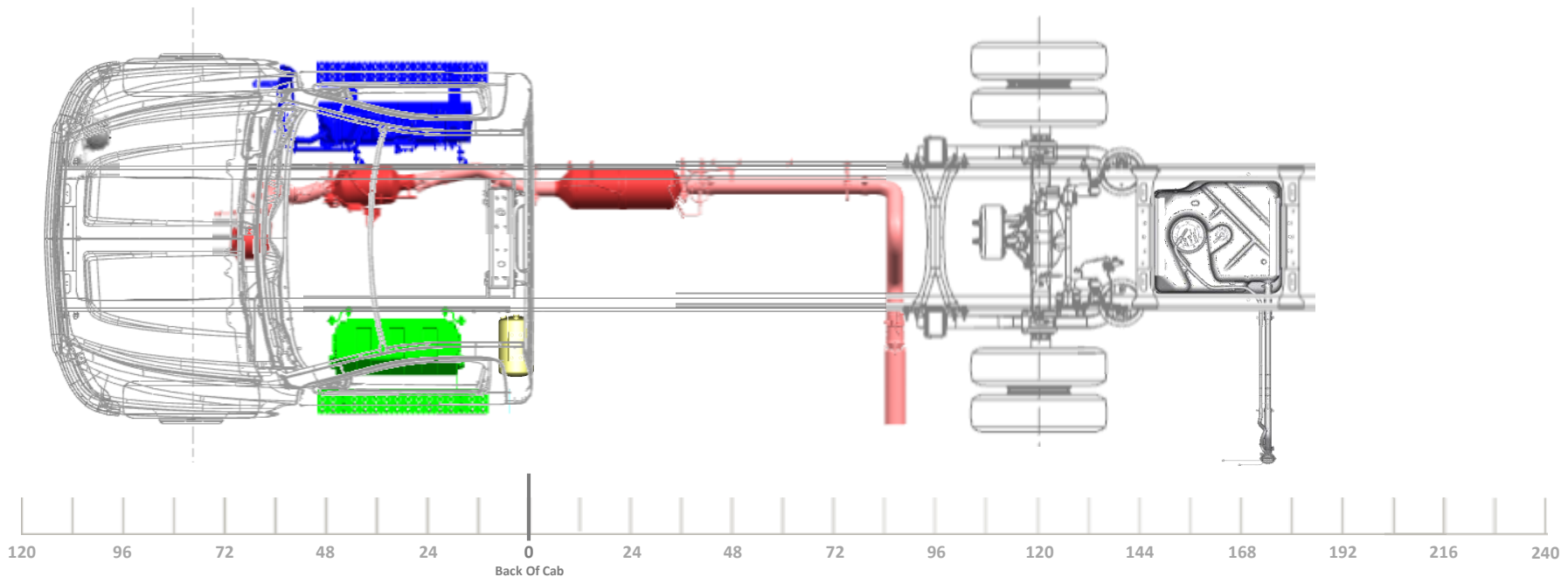
Silverado Medium Duty 4500HD/5500HD/6500HD

Model/Feature Information		General Configuration Information	Minimum Wheelbase
Model:	C56403 K56403	4X2 OR 4X4 TRUCK CONFIGURATION	201" WB (120" CA) 49", 63", OR 75" AF
Cab:	REGULAR CAB		
Aftertreatment:	HORIZONTAL	SIDE EXIT TAILPIPE AHEAD OF REAR WHEELS, LT SIDE (RPO NPJ)	
Fuel Tank:	RPO N2L 40 GAL, AF MTD		
Battery Box:	RPO 7Y7/7Y8 28" STEEL, 2 BATTERIES	OPTIONAL AIR DRYER FWD OUTSIDE RT (RPO KUT/JPY)	
Air Tanks:	(1) OUTSIDE LEFT		
DEF Tank:	6.75 GAL		
Engine:	6.6L GM DURAMAX		



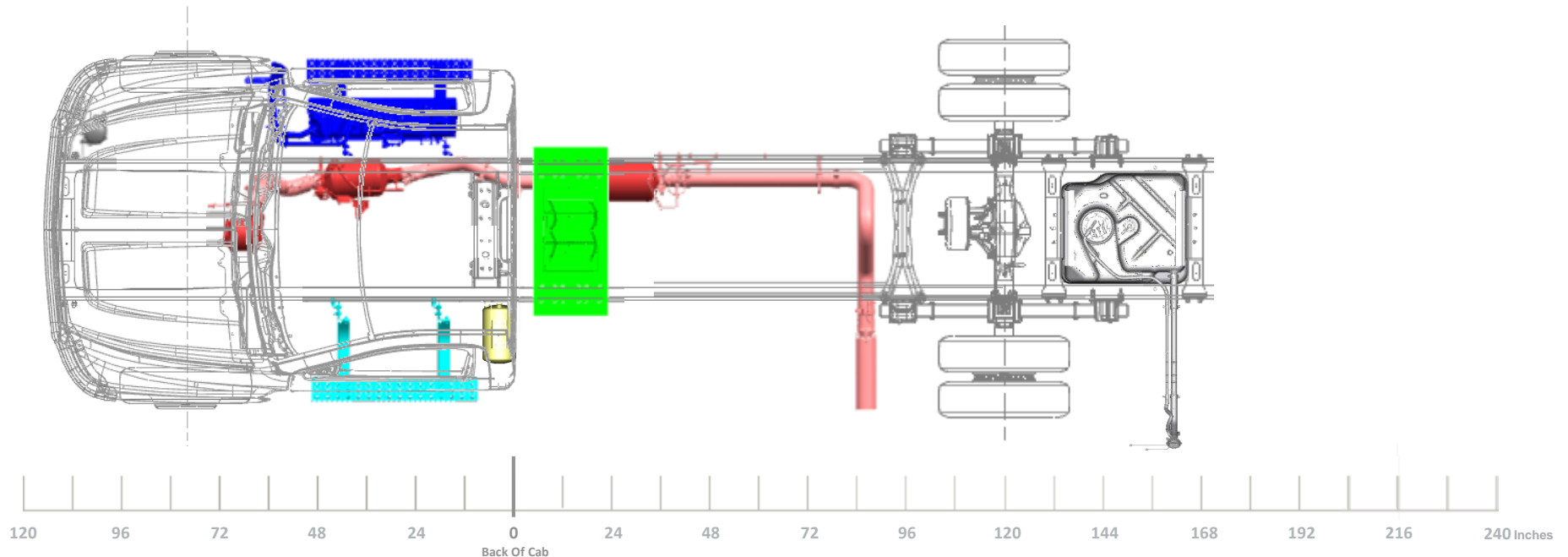
Silverado Medium Duty 4500HD/5500HD/6500HD

Model/Feature Information		General Configuration Information	Minimum Wheelbase
Model:	C56403 K56403	4X2 TRUCK CONFIGURATION IROS REAR SUSPENSION	201" WB (120" CA) 63" OR 75" AF
Cab:	REGULAR CAB		
Aftertreatment:	HORIZONTAL	SIDE EXIT TAILPIPE AHEAD OF REAR WHEELS, LT SIDE (RPO NPJ)	
Fuel Tank:	RPO N2L 40 GAL, AF MTD		
Battery Box:	RPO 7Y7/7Y8 28" STEEL, 2 BATTERIES	OPTIONAL AIR DRYER FWD OUTSIDE RT (RPO KUT/JPY)	
Air Tanks:	(1) OUTSIDE LEFT		
DEF Tank:	6.75 GAL		
Engine:	6.6L GM DURAMAX		



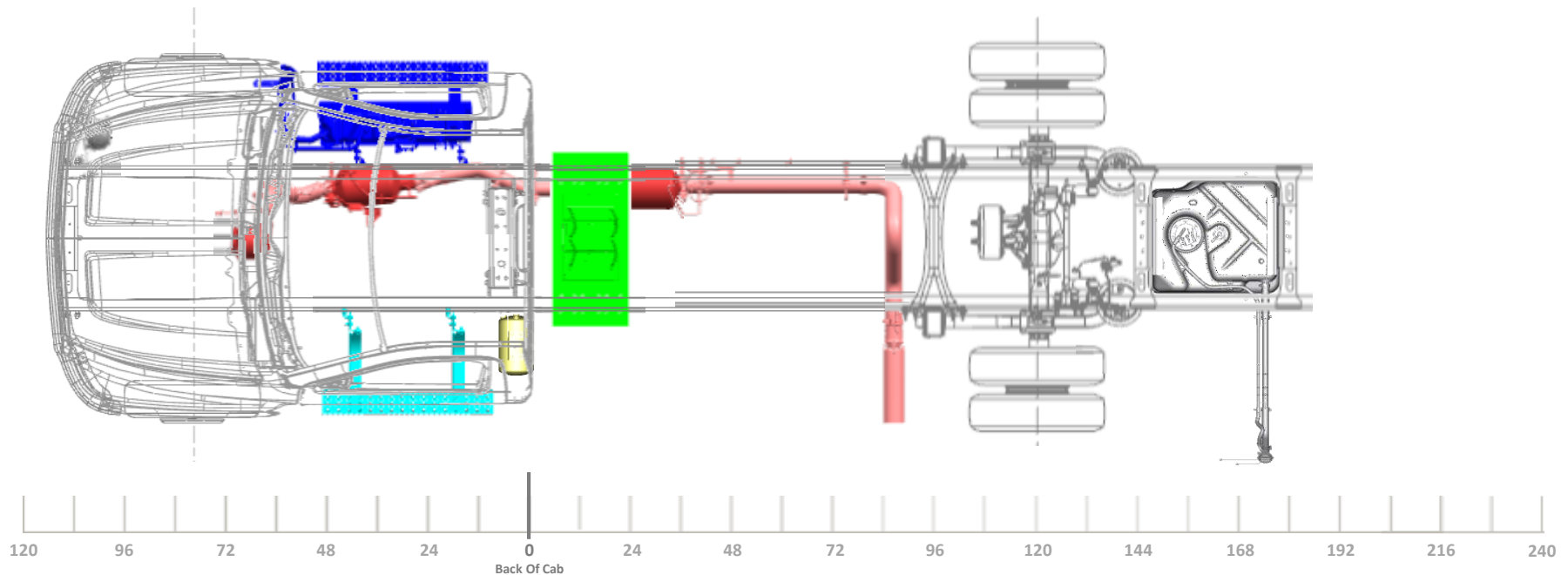
Silverado Medium Duty 4500HD/5500HD/6500HD

Model/Feature Information		General Configuration Information	Minimum Wheelbase
Model:	C56403 K56403	4X2 OR 4X4 TRUCK CONFIGURATION	201" WB (120" CA) 49", 63", OR 75" AF
Cab:	REGULAR CAB		
Aftertreatment:	HORIZONTAL	SIDE EXIT TAILPIPE AHEAD OF REAR WHEELS, LT SIDE (RPO NPJ)	
Fuel Tank:	RPO N2L 40 GAL, AF MTD		
Battery Box:	RPO 7Y9 TEMP MTD, 3 BATT	OPTIONAL AIR DRYER FWD OUTSIDE RT (RPO KUT/JPY)	
Air Tanks:	(1) OUTSIDE LEFT		
DEF Tank:	6.75 GAL		
Engine:	6.6L GM DURAMAX		



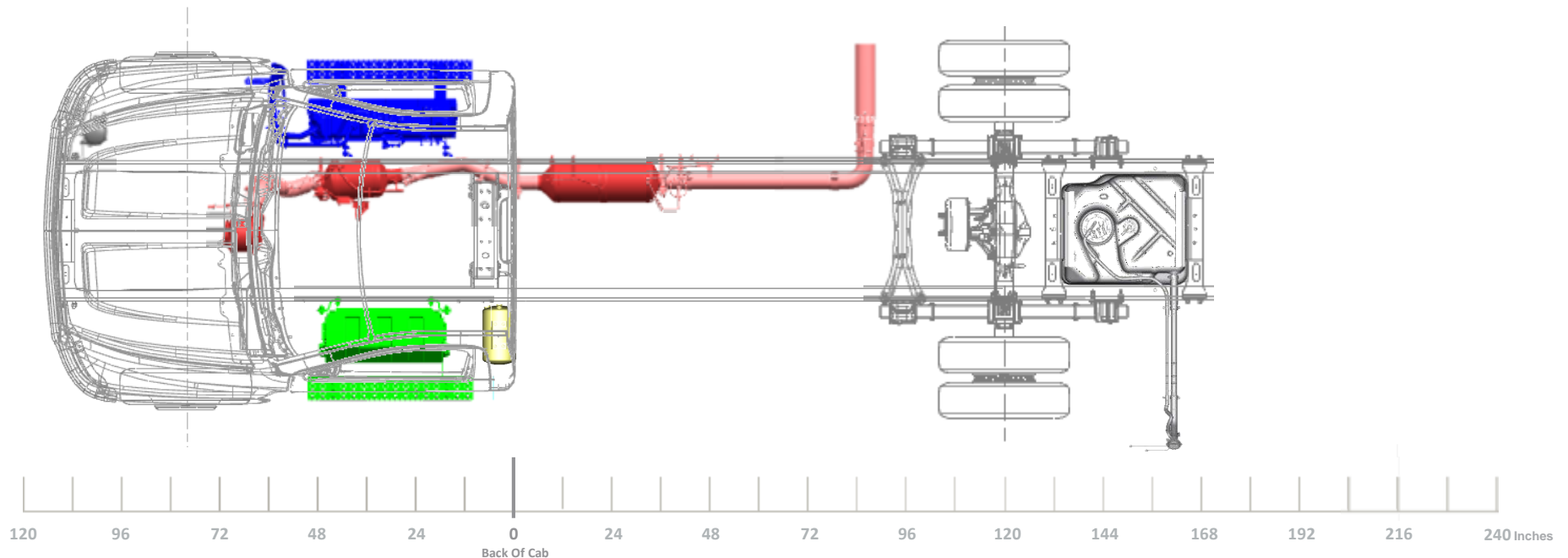
Silverado Medium Duty 4500HD/5500HD/6500HD

Model/Feature Information		General Configuration Information	Minimum Wheelbase
Model:	C56403 K56403	4X2 TRUCK CONFIGURATION IROS REAR SUSPENSION	201" WB (120" CA) 63" OR 75" AF
Cab:	REGULAR CAB		
Aftertreatment:	HORIZONTAL	SIDE EXIT TAILPIPE AHEAD OF REAR WHEELS, LT SIDE (RPO NPJ)	
Fuel Tank:	RPO N2L 40 GAL, AF MTD		
Battery Box:	RPO 7Y9 TEMP MTD, 3 BATT	OPTIONAL AIR DRYER FWD OUTSIDE RT (RPO KUT/JPY)	
Air Tanks:	(1) OUTSIDE LEFT		
DEF Tank:	6.75 GAL		
Engine:	6.6L GM DURAMAX		



Silverado Medium Duty 4500HD/5500HD/6500HD

Model/Feature Information		General Configuration Information	Minimum Wheelbase
Model:	C56403 K56403	4X2 OR 4X4 TRUCK CONFIGURATION	201" WB (120" CA) 49", 63", OR 75" AF
Cab:	REGULAR CAB		
Aftertreatment:	HORIZONTAL	SIDE EXIT TAILPIPE AHEAD OF REAR WHEELS, RT SIDE (RPO NPK)	
Fuel Tank:	RPO N2L 40 GAL, AF MTD		
Battery Box:	RPO 7Y7/7Y8 28" STEEL, 2 BATTERIES	OPTIONAL AIR DRYER FWD OUTSIDE RT (RPO KUT/JPY)	
Air Tanks:	(1) OUTSIDE LEFT		
DEF Tank:	6.75 GAL		
Engine:	6.6L GM DURAMAX		

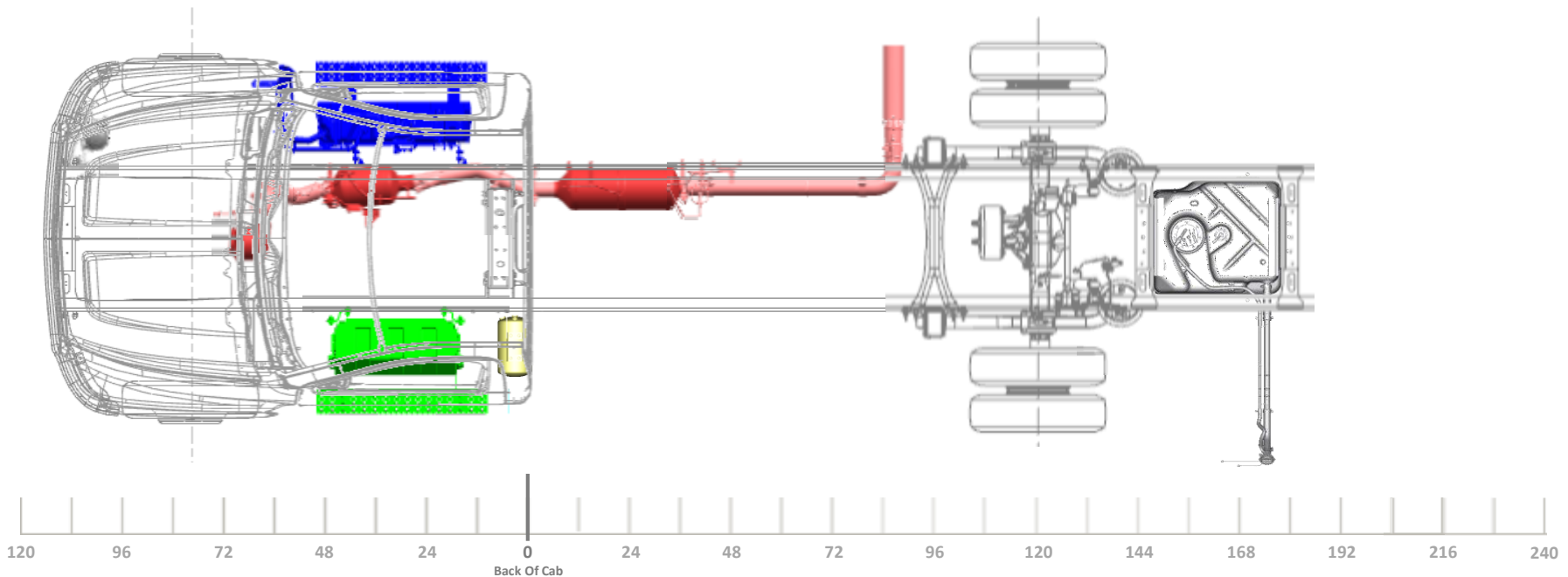


Silverado Medium Duty 4500HD/5500HD/6500HD

Model/Feature Information	
Model:	C56403 K56403
Cab:	REGULAR CAB
Aftertreatment:	HORIZONTAL
Fuel Tank:	RPO N2L 40 GAL, AF MTD
Battery Box:	RPO 7Y7/7Y8 28" STEEL, 2 BATTERIES
Air Tanks:	(1) OUTSIDE LEFT
DEF Tank:	6.75 GAL
Engine:	6.6L GM DURAMAX

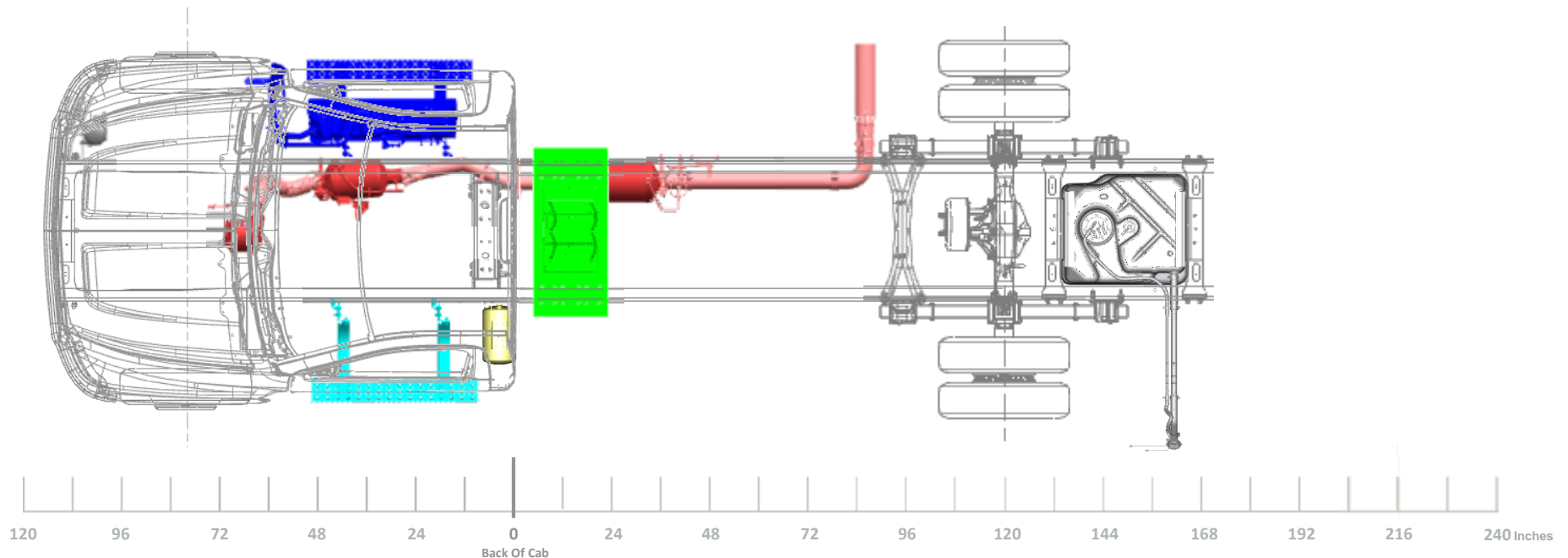
General Configuration Information
4X2 TRUCK CONFIGURATION IROS REAR SUSPENSION
SIDE EXIT TAILPIPE AHEAD OF REAR WHEELS, RT SIDE (RPO NPK)
OPTIONAL AIR DRYER FWD OUTSIDE RT (RPO KUT/JPY)

Minimum Wheelbase
201" WB (120" CA) 63" OR 75" AF



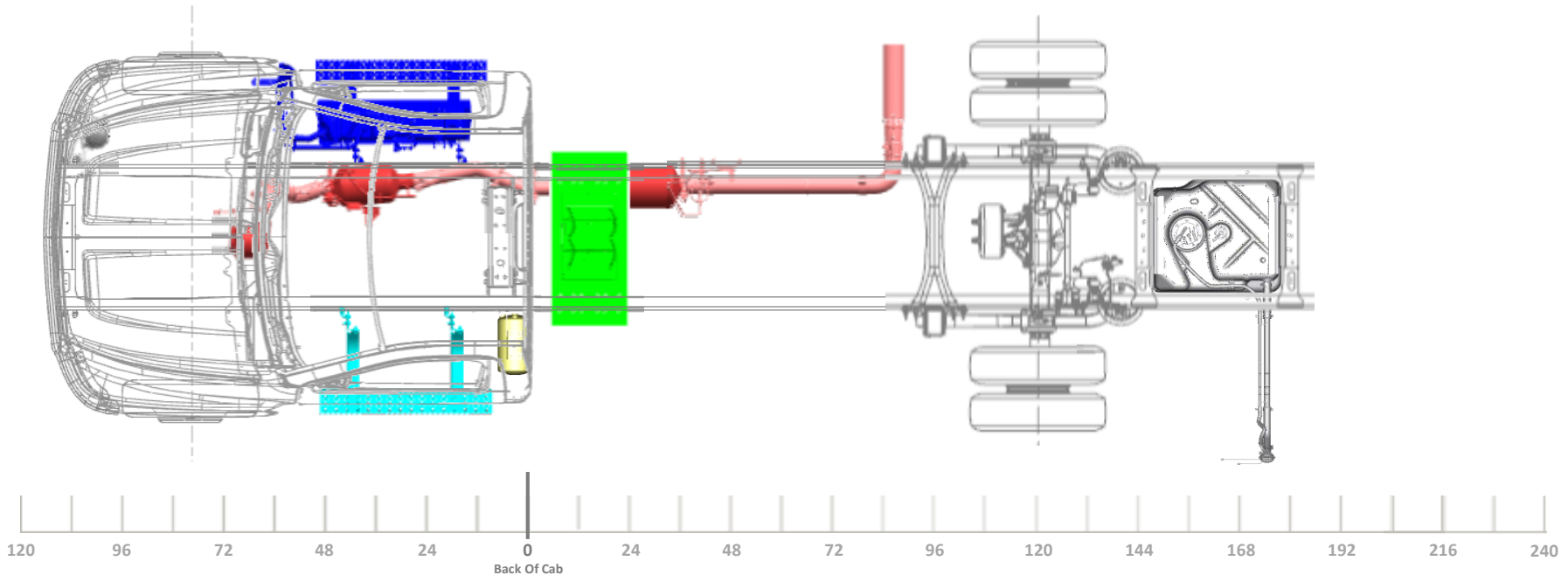
Silverado Medium Duty 4500HD/5500HD/6500HD

Model/Feature Information		General Configuration Information	Minimum Wheelbase
Model:	C56403 K56403	4X2 OR 4X4 TRUCK CONFIGURATION	201" WB (120" CA) 49", 63", OR 75" AF
Cab:	REGULAR CAB		
Aftertreatment:	HORIZONTAL	SIDE EXIT TAILPIPE AHEAD OF REAR WHEELS, RT SIDE (RPO NPK)	
Fuel Tank:	RPO N2L 40 GAL, AF MTD		
Battery Box:	RPO 7Y9 TEMP MTD, 3 BATT	OPTIONAL AIR DRYER FWD OUTSIDE RT (RPO KUT/JPY)	
Air Tanks:	(1) OUTSIDE LEFT		
DEF Tank:	6.75 GAL		
Engine:	6.6L GM DURAMAX		



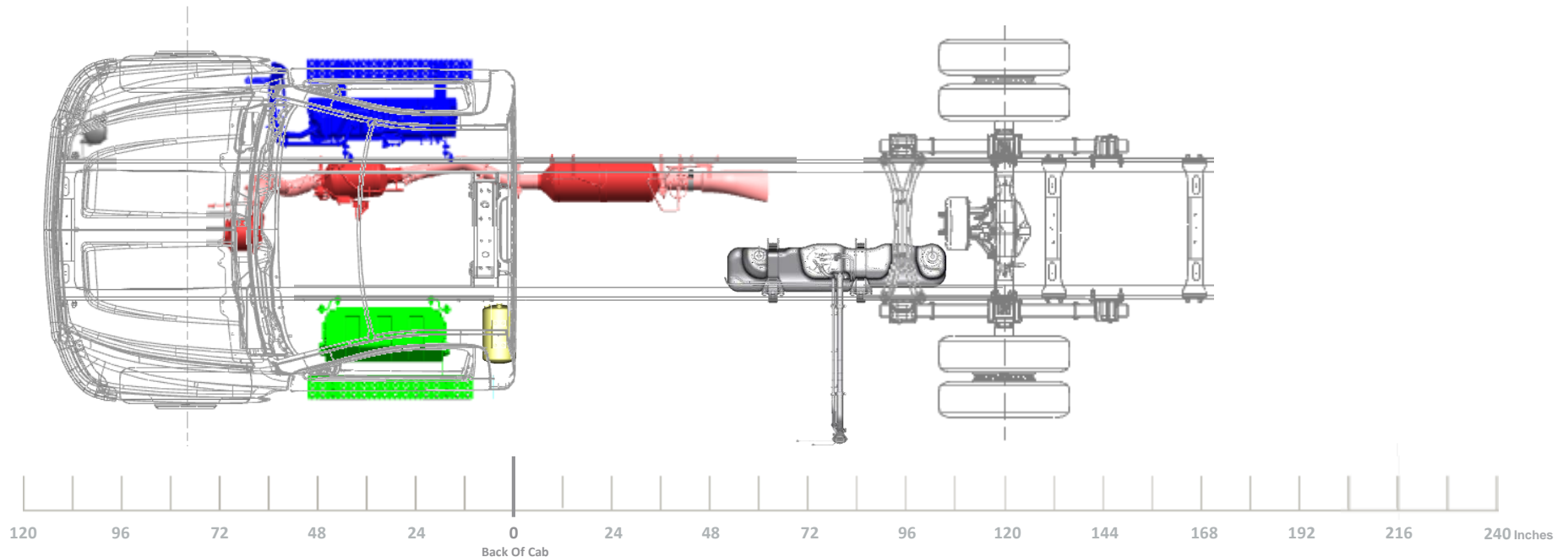
Silverado Medium Duty 4500HD/5500HD/6500HD

Model/Feature Information		General Configuration Information	Minimum Wheelbase
Model:	C56403 K56403	4X2 TRUCK CONFIGURATION IROS REAR SUSPENSION	201" WB (120" CA) 63" OR 75" AF
Cab:	REGULAR CAB		
Aftertreatment:	HORIZONTAL	SIDE EXIT TAILPIPE AHEAD OF REAR WHEELS, RT SIDE (RPO NPK)	
Fuel Tank:	RPO N2L 40 GAL, AF MTD		
Battery Box:	RPO 7Y9 TEMP MTD, 3 BATT	OPTIONAL AIR DRYER FWD OUTSIDE RT (RPO KUT/JPY)	
Air Tanks:	(1) OUTSIDE LEFT		
DEF Tank:	6.75 GAL		
Engine:	6.6L GM DURAMAX		



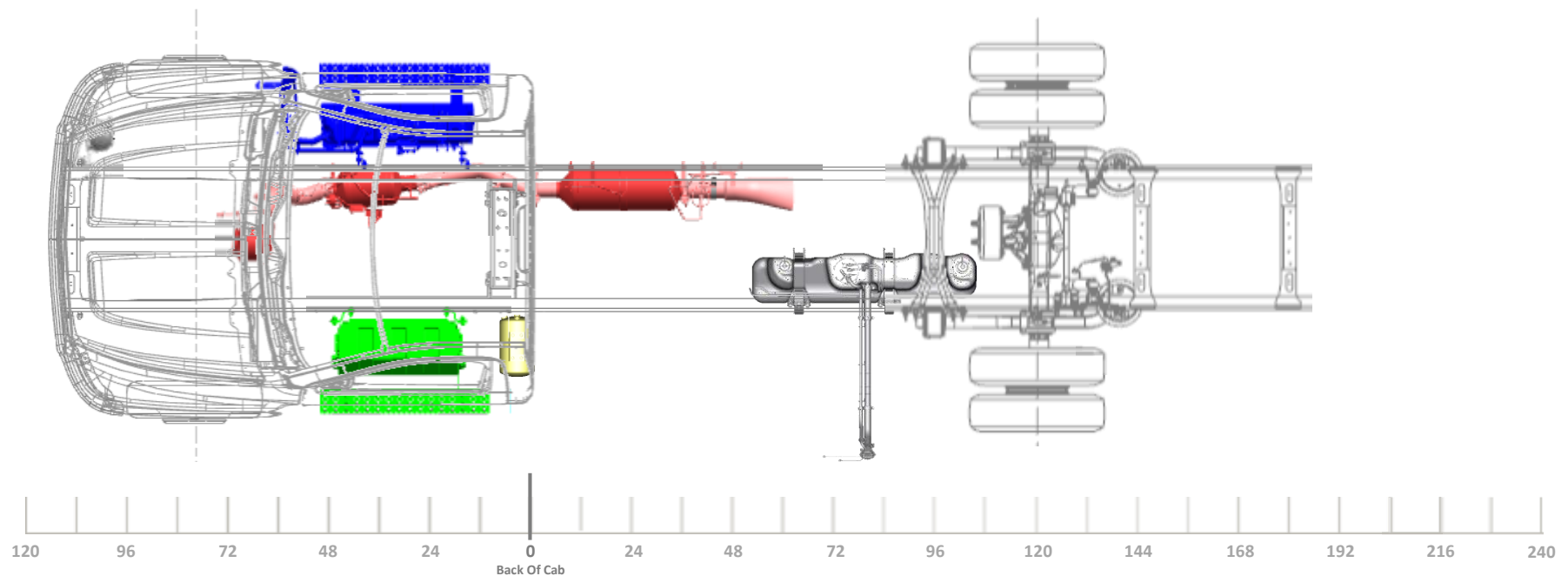
Silverado Medium Duty 4500HD/5500HD/6500HD

Model/Feature Information		General Configuration Information	Minimum Wheelbase
Model:	C56403 K56403	4X2 OR 4X4 TRUCK CONFIGURATION	201" WB (120" CA) 49", 63", OR 75" AF
Cab:	REGULAR CAB		
Aftertreatment:	HORIZONTAL	STRAIGHT TAILPIPE (RPO N12)	
Fuel Tank:	RPO NVK 25 GAL, CA MTD		
Battery Box:	RPO 7Y7/7Y8 28" STEEL, 2 BATTERIES	OPTIONAL AIR DRYER FWD OUTSIDE RT (RPO KUT/JPY)	
Air Tanks:	(1) OUTSIDE LEFT		
DEF Tank:	6.75 GAL		
Engine:	6.6L GM DURAMAX		



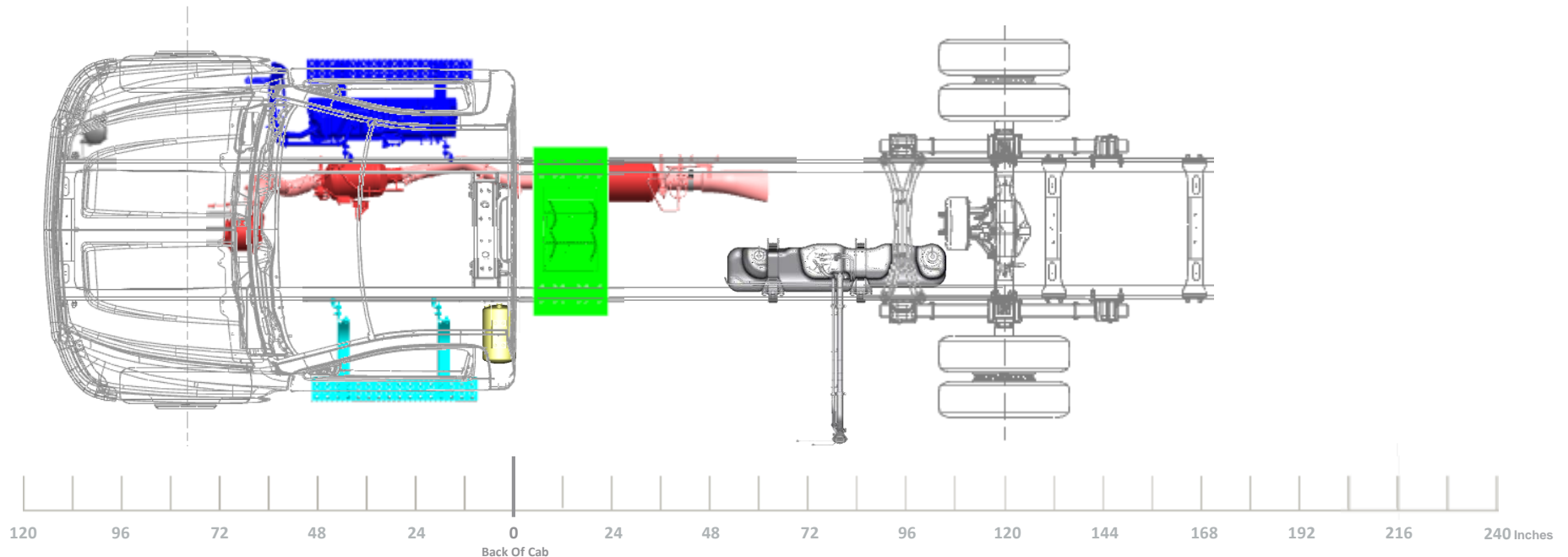
Silverado Medium Duty 4500HD/5500HD/6500HD

Model/Feature Information		General Configuration Information	Minimum Wheelbase
Model:	C56403 K56403	4X2 TRUCK CONFIGURATION IROS REAR SUSPENSION	201" WB (120" CA) 63" OR 75" AF
Cab:	REGULAR CAB		
Aftertreatment:	HORIZONTAL	STRAIGHT TAILPIPE (RPO N12)	
Fuel Tank:	RPO NVK 25 GAL, CA MTD		
Battery Box:	RPO 7Y7/7Y8 28" STEEL, 2 BATTERIES	OPTIONAL AIR DRYER FWD OUTSIDE RT (RPO KUT/JPY)	
Air Tanks:	(1) OUTSIDE LEFT		
DEF Tank:	6.75 GAL		
Engine:	6.6L GM DURAMAX		



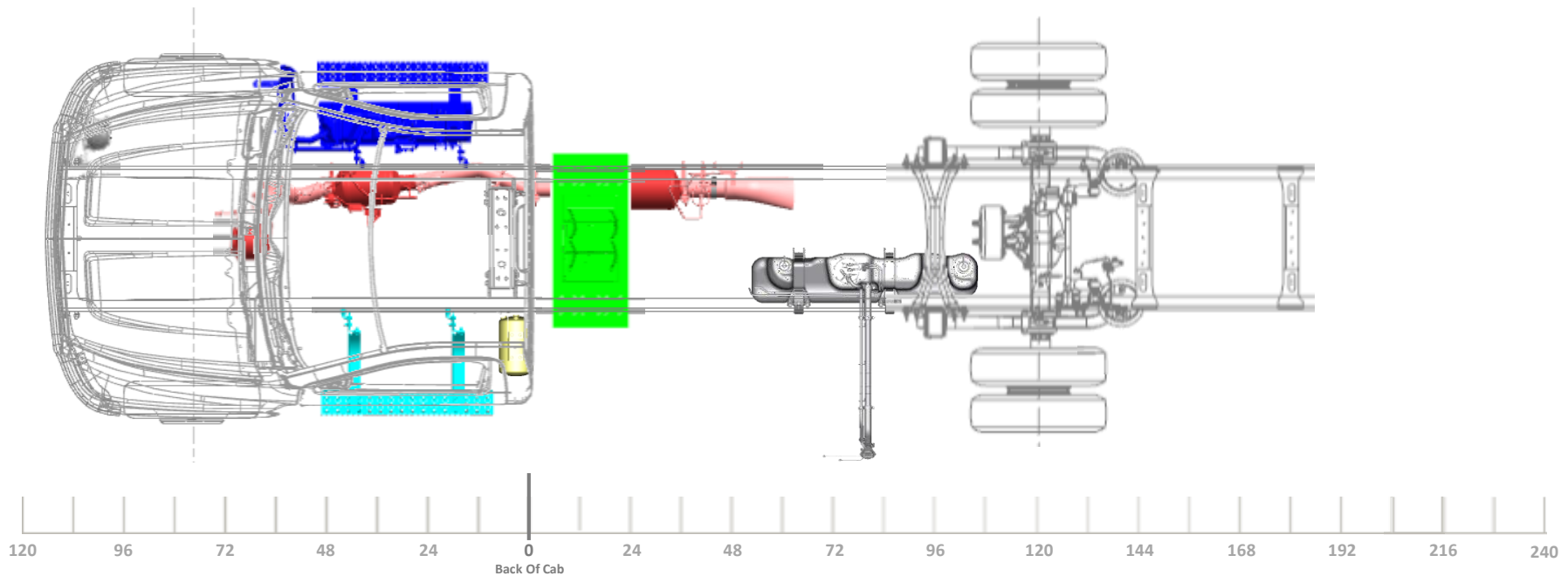
Silverado Medium Duty 4500HD/5500HD/6500HD

Model/Feature Information		General Configuration Information	Minimum Wheelbase
Model:	C56403 K56403	4X2 OR 4X4 TRUCK CONFIGURATION	201" WB (120" CA) 49", 63", OR 75" AF
Cab:	REGULAR CAB		
Aftertreatment:	HORIZONTAL	STRAIGHT TAILPIPE (RPO N12)	
Fuel Tank:	RPO NVK 25 GAL, CA MTD		
Battery Box:	RPO 7Y9 TEMP MTD, 3 BATT	OPTIONAL AIR DRYER FWD OUTSIDE RT (RPO KUT/JPY)	
Air Tanks:	(1) OUTSIDE LEFT		
DEF Tank:	6.75 GAL		
Engine:	6.6L GM DURAMAX		



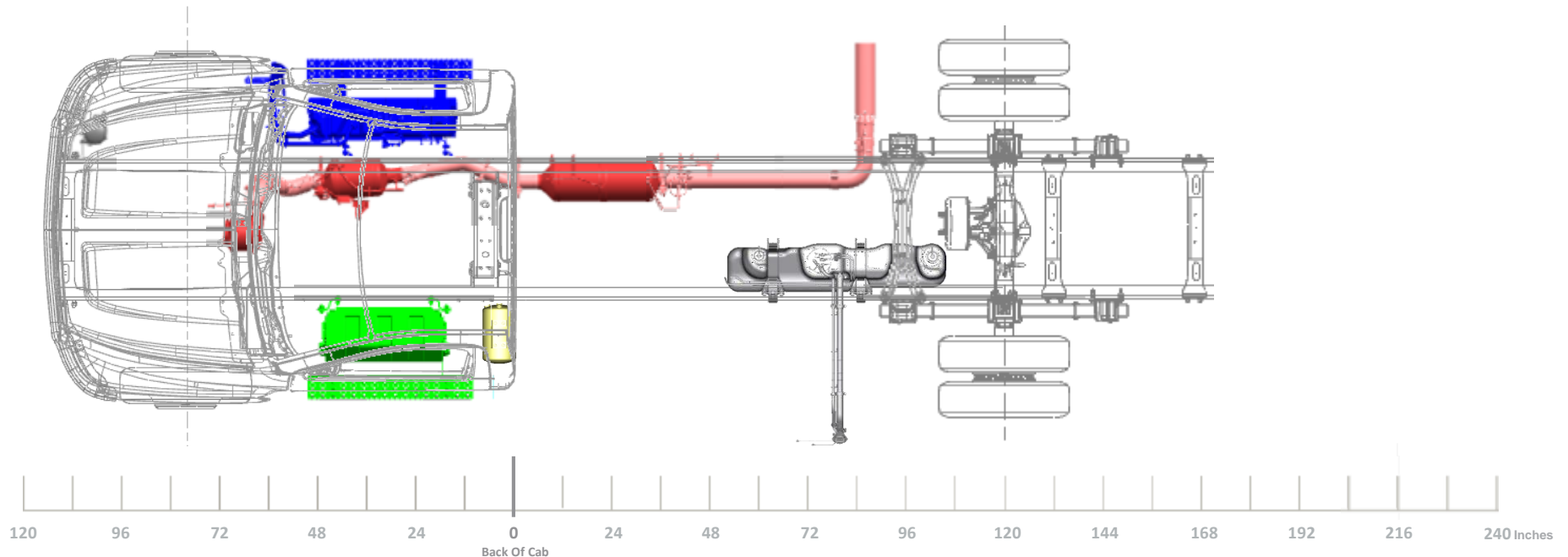
Silverado Medium Duty 4500HD/5500HD/6500HD

Model/Feature Information		General Configuration Information	Minimum Wheelbase
Model:	C56403 K56403	4X2 TRUCK CONFIGURATION IROS REAR SUSPENSION	201" WB (120" CA) 63" OR 75" AF
Cab:	REGULAR CAB		
Aftertreatment:	HORIZONTAL	STRAIGHT TAILPIPE (RPO N12)	
Fuel Tank:	RPO NVK 25 GAL, CA MTD		
Battery Box:	RPO 7Y9 TEMP MTD, 3 BATT	OPTIONAL AIR DRYER FWD OUTSIDE RT (RPO KUT/JPY)	
Air Tanks:	(1) OUTSIDE LEFT		
DEF Tank:	6.75 GAL		
Engine:	6.6L GM DURAMAX		



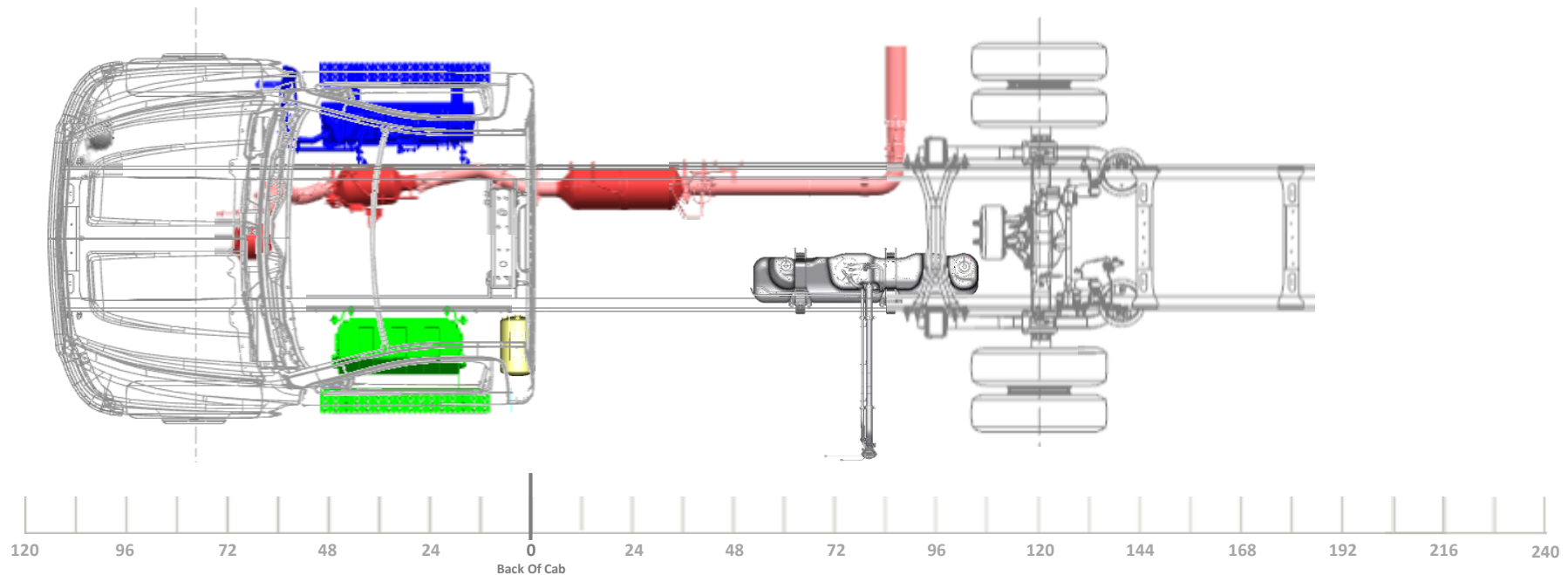
Silverado Medium Duty 4500HD/5500HD/6500HD

Model/Feature Information		General Configuration Information	Minimum Wheelbase
Model:	C56403 K56403	4X2 OR 4X4 TRUCK CONFIGURATION	201" WB (120" CA) 49", 63", OR 75" AF
Cab:	REGULAR CAB		
Aftertreatment:	HORIZONTAL	SIDE EXIT TAILPIPE AHEAD OF REAR WHEELS, RT SIDE (RPO NPK)	
Fuel Tank:	RPO NVK 25 GAL, CA MTD		
Battery Box:	RPO 7Y7/7Y8 28" STEEL, 2 BATTERIES	OPTIONAL AIR DRYER FWD OUTSIDE RT (RPO KUT/JPY)	
Air Tanks:	(1) OUTSIDE LEFT		
DEF Tank:	6.75 GAL		
Engine:	6.6L GM DURAMAX		



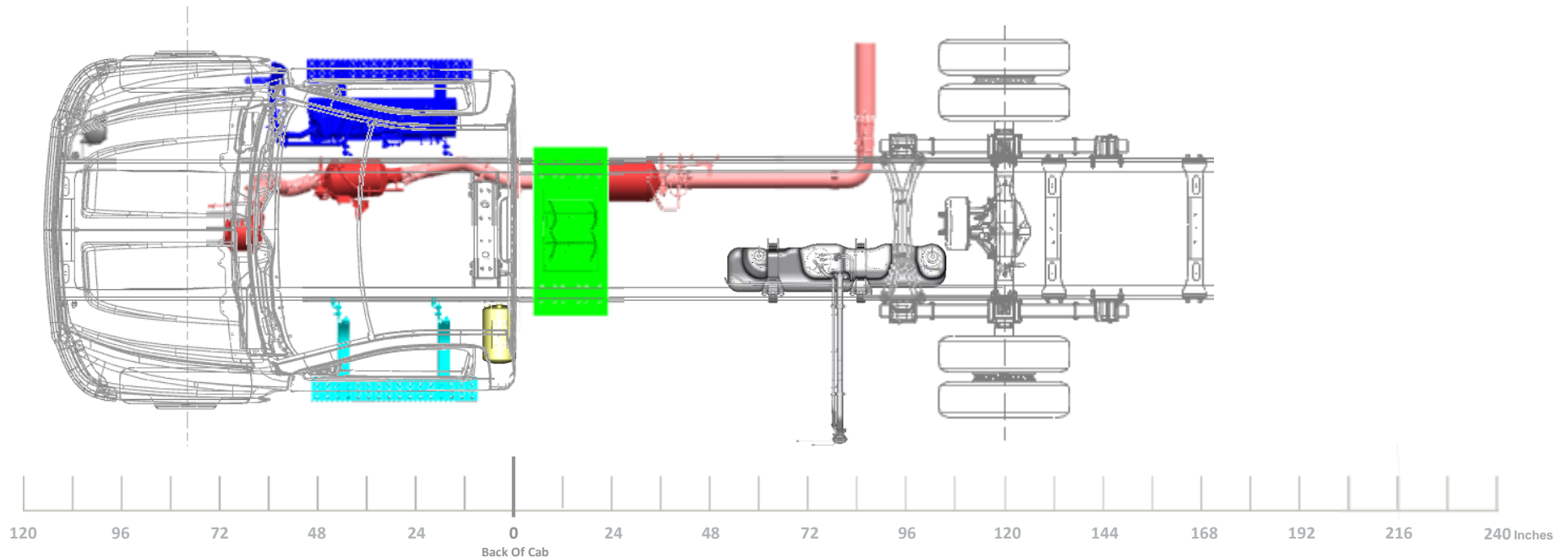
Silverado Medium Duty 4500HD/5500HD/6500HD

Model/Feature Information		General Configuration Information	Minimum Wheelbase
Model:	C56403 K56403	4X2 TRUCK CONFIGURATION IROS REAR SUSPENSION	201" WB (120" CA) 63" OR 75" AF
Cab:	REGULAR CAB		
Aftertreatment:	HORIZONTAL	SIDE EXIT TAILPIPE AHEAD OF REAR WHEELS, RT SIDE (RPO NPK)	
Fuel Tank:	RPO NVK 25 GAL, CA MTD		
Battery Box:	RPO 7Y7/7Y8 28" STEEL, 2 BATTERIES	OPTIONAL AIR DRYER FWD OUTSIDE RT (RPO KUT/JPY)	
Air Tanks:	(1) OUTSIDE LEFT		
DEF Tank:	6.75 GAL		
Engine:	6.6L GM DURAMAX		



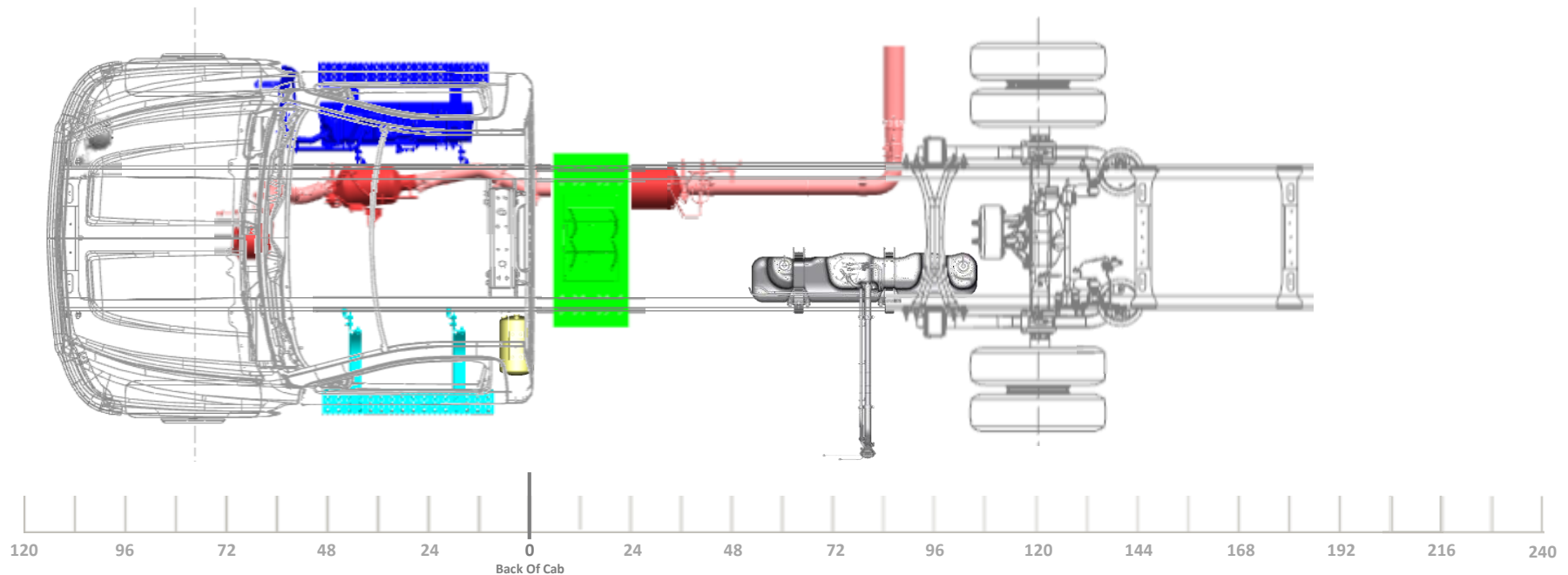
Silverado Medium Duty 4500HD/5500HD/6500HD

Model/Feature Information		General Configuration Information	Minimum Wheelbase
Model:	C56403 K56403	4X2 OR 4X4 TRUCK CONFIGURATION	201" WB (120" CA) 49", 63", OR 75" AF
Cab:	REGULAR CAB		
Aftertreatment:	HORIZONTAL	SIDE EXIT TAILPIPE AHEAD OF REAR WHEELS, RT SIDE (RPO NPK)	
Fuel Tank:	RPO NVK 25 GAL, CA MTD		
Battery Box:	RPO 7Y9 TEMP MTD, 3 BATT	OPTIONAL AIR DRYER FWD OUTSIDE RT (RPO KUT/JPY)	
Air Tanks:	(1) OUTSIDE LEFT		
DEF Tank:	6.75 GAL		
Engine:	6.6L GM DURAMAX		



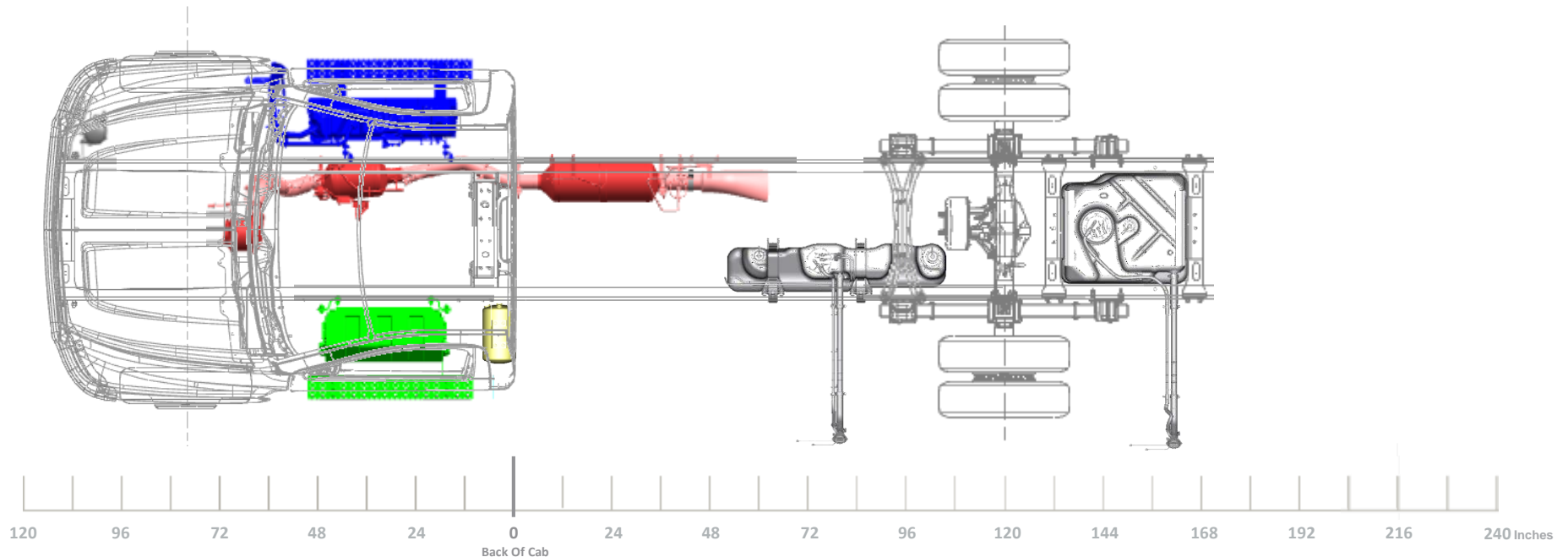
Silverado Medium Duty 4500HD/5500HD/6500HD

Model/Feature Information		General Configuration Information	Minimum Wheelbase
Model:	C56403 K56403	4X2 TRUCK CONFIGURATION IROS REAR SUSPENSION	201" WB (120" CA) 63" OR 75" AF
Cab:	REGULAR CAB		
Aftertreatment:	HORIZONTAL	SIDE EXIT TAILPIPE AHEAD OF REAR WHEELS, RT SIDE (RPO NPK)	
Fuel Tank:	RPO NVK 25 GAL, CA MTD		
Battery Box:	RPO 7Y9 TEMP MTD, 3 BATT	OPTIONAL AIR DRYER FWD OUTSIDE RT (RPO KUT/JPY)	
Air Tanks:	(1) OUTSIDE LEFT		
DEF Tank:	6.75 GAL		
Engine:	6.6L GM DURAMAX		



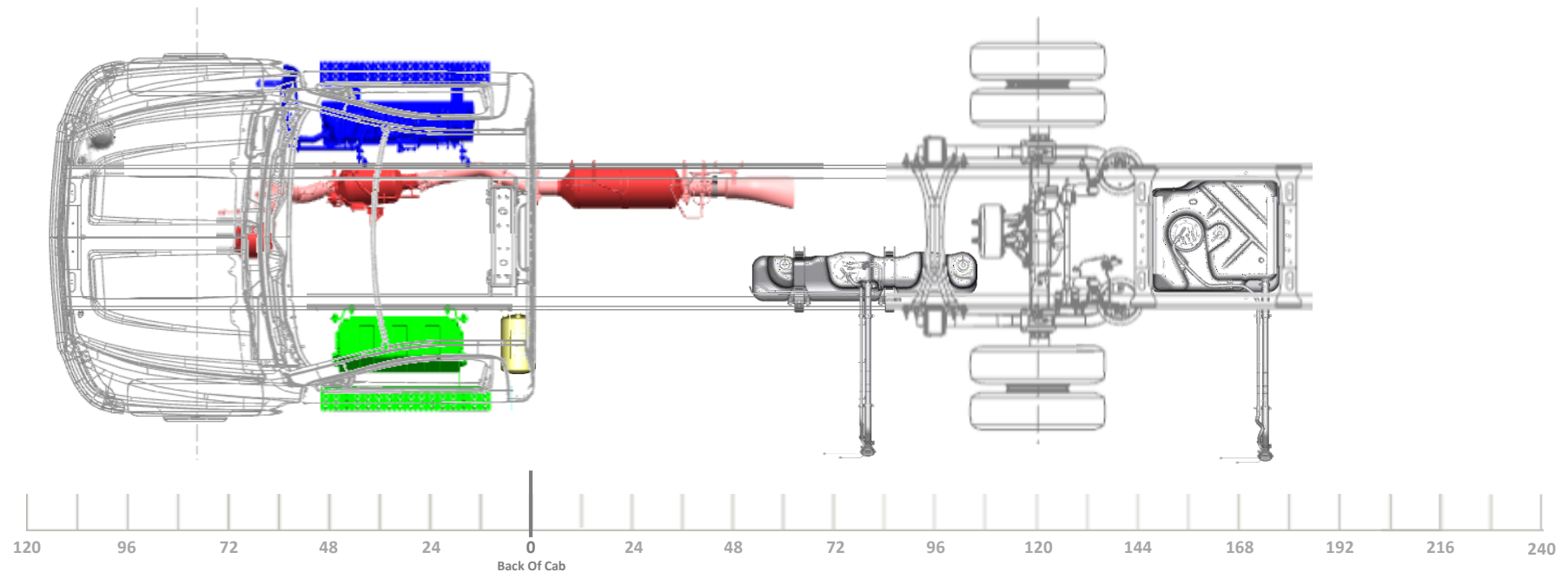
Silverado Medium Duty 4500HD/5500HD/6500HD

Model/Feature Information		General Configuration Information	Minimum Wheelbase
Model:	C56403 K56403	4X2 OR 4X4 TRUCK CONFIGURATION	201" WB (120" CA) 49", 63", OR 75" AF
Cab:	REGULAR CAB		
Aftertreatment:	HORIZONTAL	STRAIGHT TAILPIPE (RPO N12)	
Fuel Tank:	RPO NSQ DUAL 25G CA, 40G AF		
Battery Box:	RPO 7Y7/7Y8 28" STEEL, 2 BATTERIES	OPTIONAL AIR DRYER FWD OUTSIDE RT (RPO KUT/JPY)	
Air Tanks:	(1) OUTSIDE LEFT		
DEF Tank:	6.75 GAL		
Engine:	6.6L GM DURAMAX		



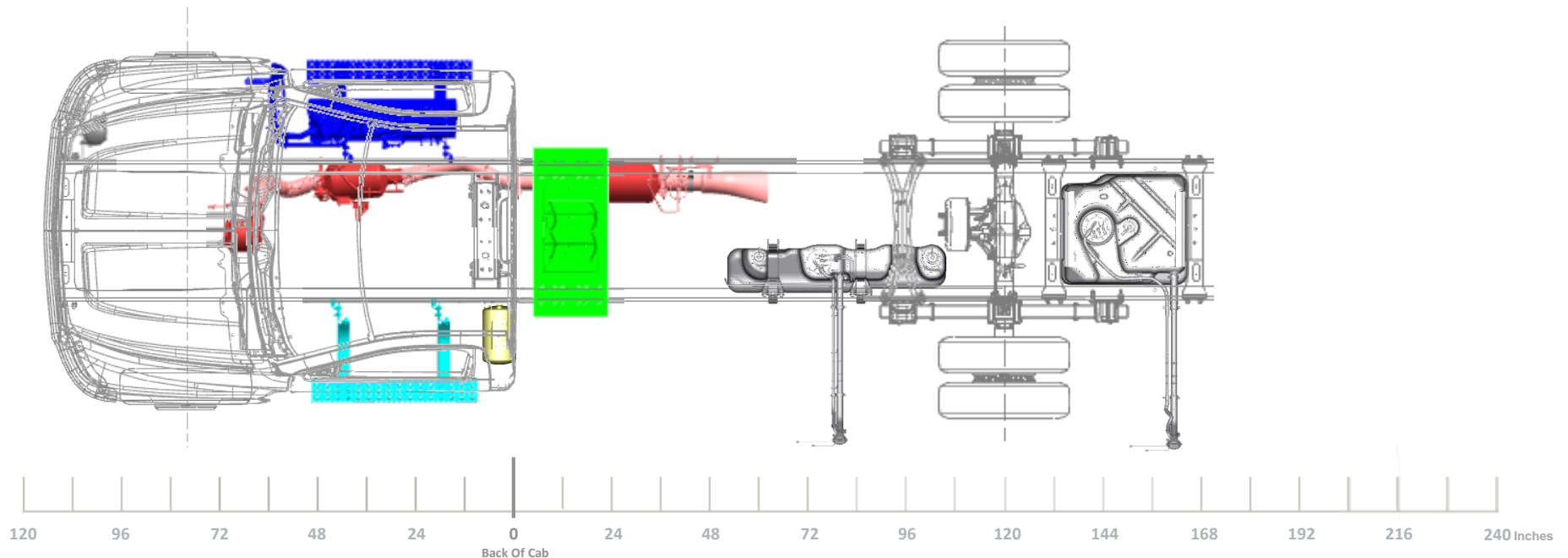
Silverado Medium Duty 4500HD/5500HD/6500HD

Model/Feature Information		General Configuration Information	Minimum Wheelbase
Model:	C56403 K56403	4X2 TRUCK CONFIGURATION IROS REAR SUSPENSION	201" WB (120" CA) 63" OR 75" AF
Cab:	REGULAR CAB		
Aftertreatment:	HORIZONTAL	STRAIGHT TAILPIPE (RPO N12)	
Fuel Tank:	RPO NSQ DUAL 25G CA, 40G AF		
Battery Box:	RPO 7Y7/7Y8 28" STEEL, 2 BATTERIES	OPTIONAL AIR DRYER FWD OUTSIDE RT (RPO KUT/JPY)	
Air Tanks:	(1) OUTSIDE LEFT		
DEF Tank:	6.75 GAL		
Engine:	6.6L GM DURAMAX		



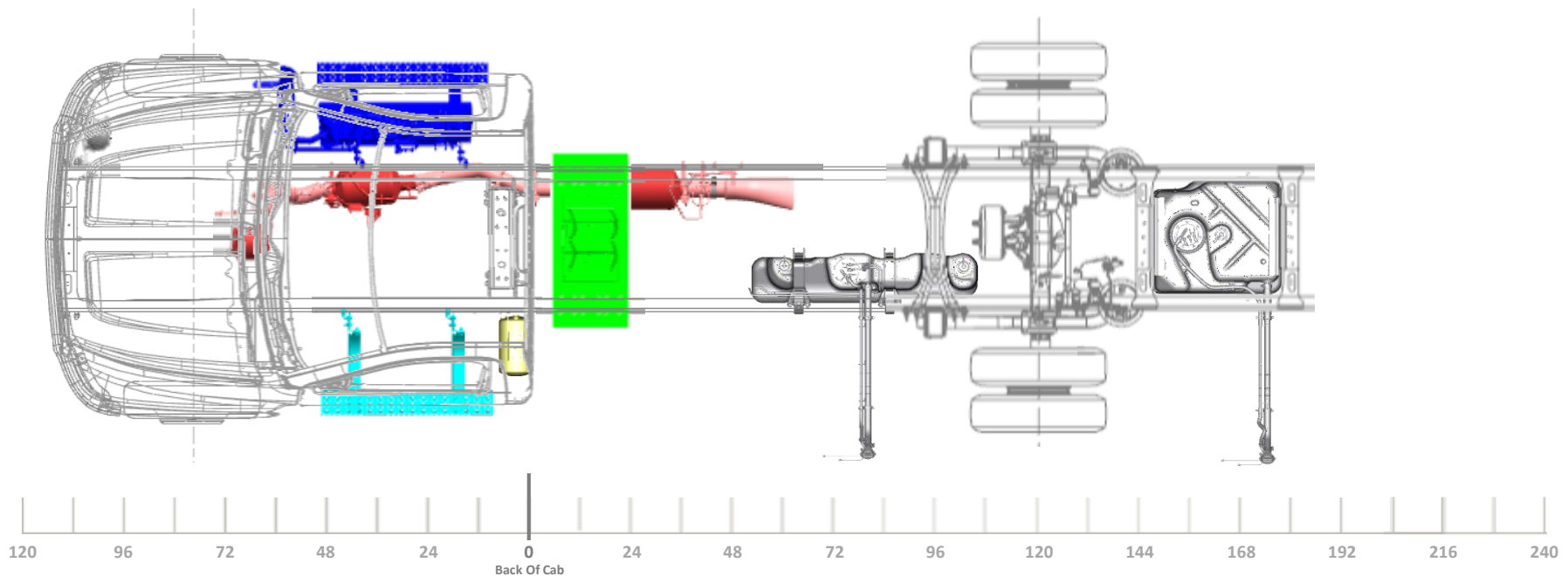
Silverado Medium Duty 4500HD/5500HD/6500HD

Model/Feature Information		General Configuration Information	Minimum Wheelbase
Model:	C56403 K56403	4X2 OR 4X4 TRUCK CONFIGURATION	201" WB (120" CA) 49", 63", OR 75" AF
Cab:	REGULAR CAB		
Aftertreatment:	HORIZONTAL	STRAIGHT TAILPIPE (RPO N12)	
Fuel Tank:	RPO NSQ DUAL 25G CA, 40G AF		
Battery Box:	RPO 7Y9 TEMP MTD, 3 BATT	OPTIONAL AIR DRYER FWD OUTSIDE RT (RPO KUT/JPY)	
Air Tanks:	(1) OUTSIDE LEFT		
DEF Tank:	6.75 GAL		
Engine:	6.6L GM DURAMAX		



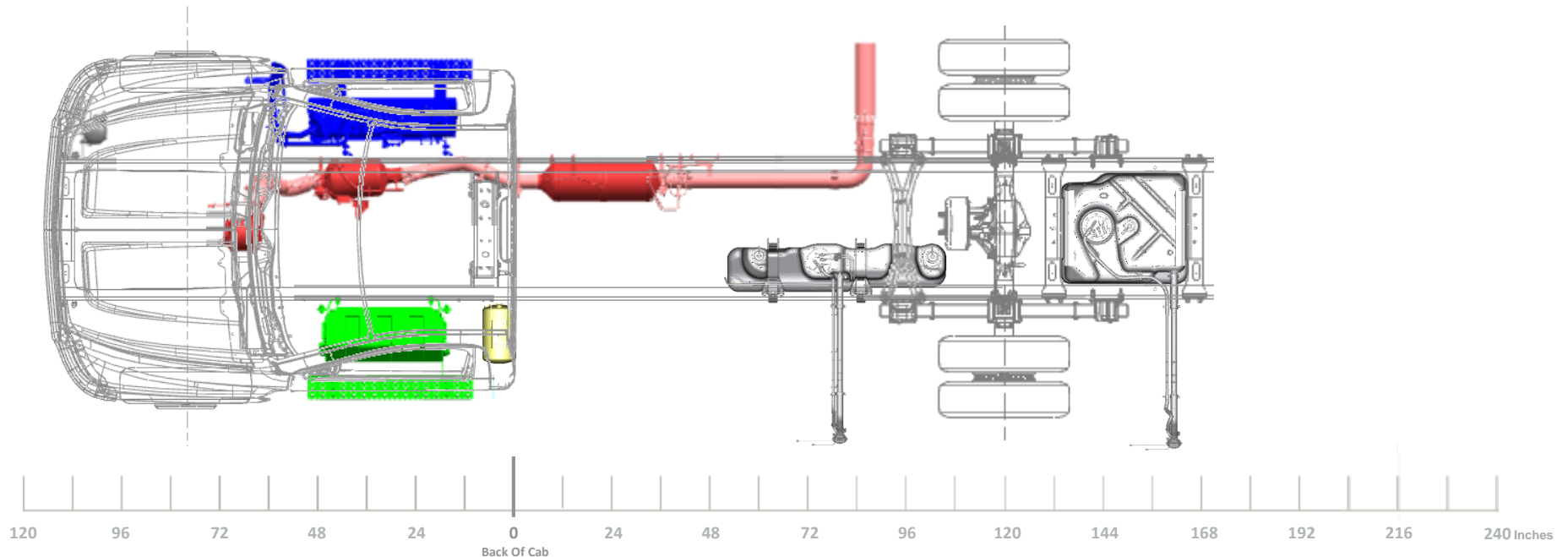
Silverado Medium Duty 4500HD/5500HD/6500HD

Model/Feature Information		General Configuration Information	Minimum Wheelbase
Model:	C56403 K56403	4X2 TRUCK CONFIGURATION IROS REAR SUSPENSION	201" WB (120" CA) 63" OR 75" AF
Cab:	REGULAR CAB		
Aftertreatment:	HORIZONTAL	STRAIGHT TAILPIPE (RPO N12)	
Fuel Tank:	RPO NSQ DUAL 25G CA, 40G AF		
Battery Box:	RPO 7Y9 TEMP MTD, 3 BATT	OPTIONAL AIR DRYER FWD OUTSIDE RT (RPO KUT/JPY)	
Air Tanks:	(1) OUTSIDE LEFT		
DEF Tank:	6.75 GAL		
Engine:	6.6L GM DURAMAX		



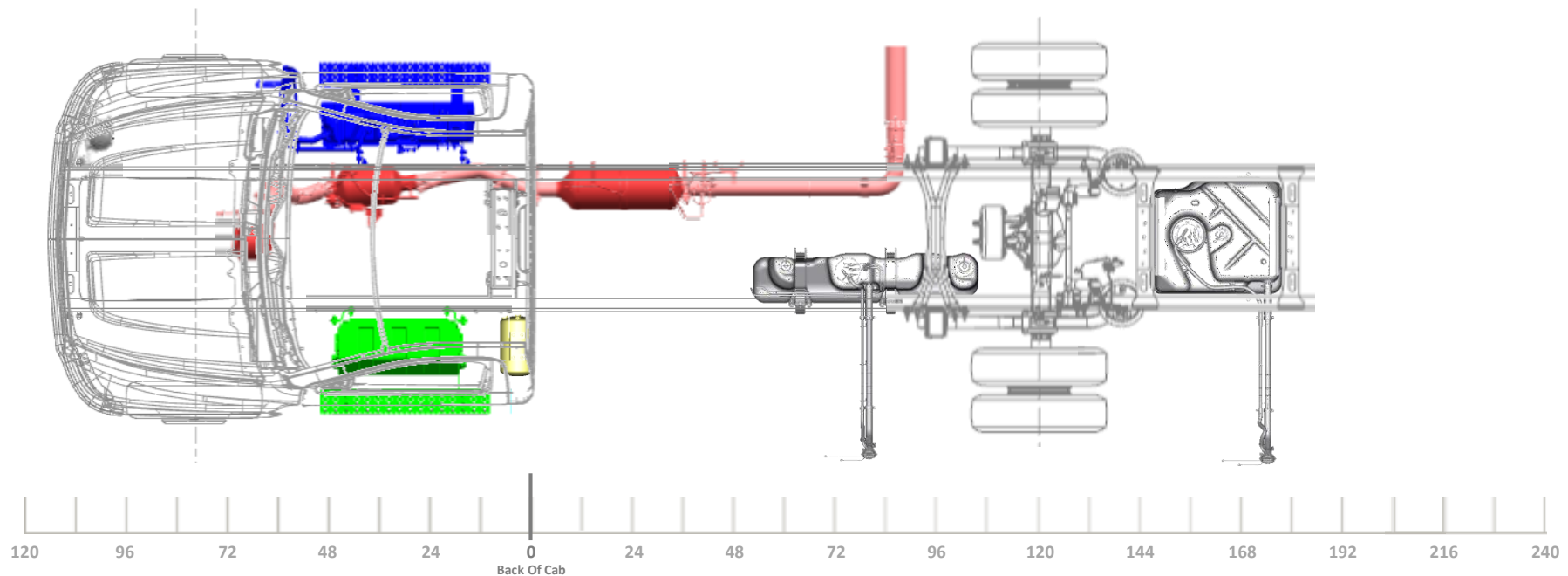
Silverado Medium Duty 4500HD/5500HD/6500HD

Model/Feature Information		General Configuration Information	Minimum Wheelbase
Model:	C56403 K56403	4X2 OR 4X4 TRUCK CONFIGURATION	201" WB (120" CA) 49", 63", OR 75" AF
Cab:	REGULAR CAB		
Aftertreatment:	HORIZONTAL	SIDE EXIT TAILPIPE AHEAD OF REAR WHEELS, RT SIDE (RPO NPK)	
Fuel Tank:	RPO NSQ DUAL 25G CA, 40G AF		
Battery Box:	RPO 7Y7/7Y8 28" STEEL, 2 BATTERIES	OPTIONAL AIR DRYER FWD OUTSIDE RT (RPO KUT/JPY)	
Air Tanks:	(1) OUTSIDE LEFT		
DEF Tank:	6.75 GAL		
Engine:	6.6L GM DURAMAX		



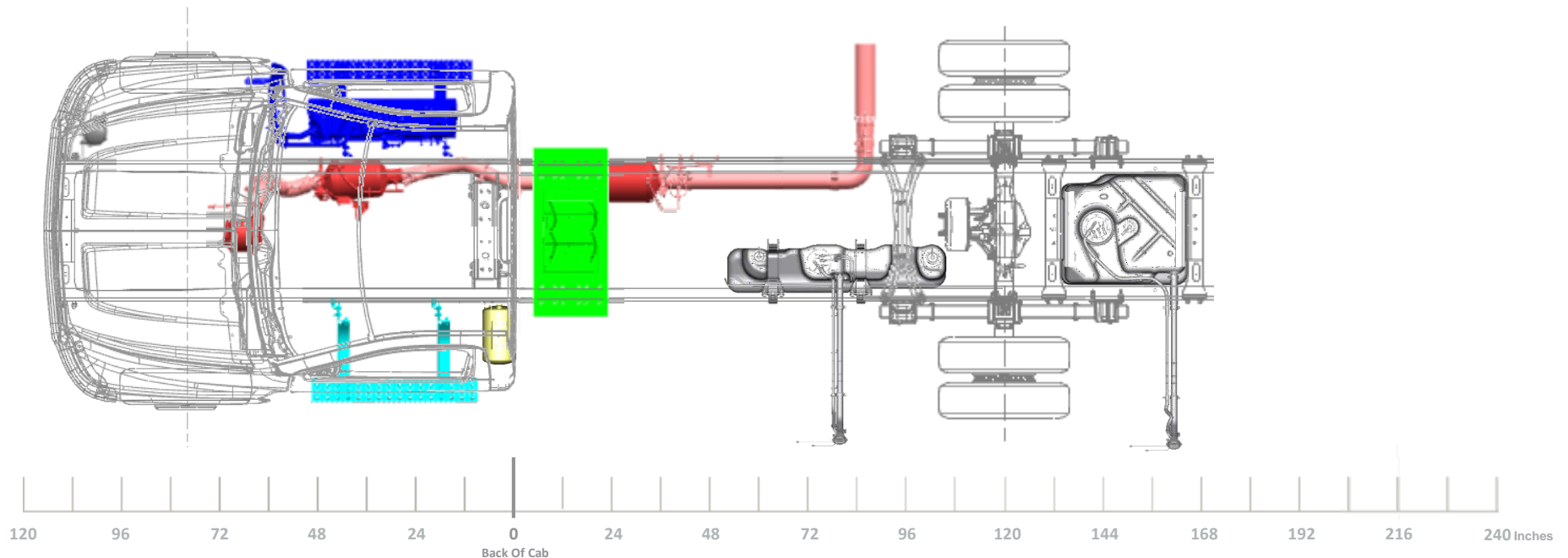
Silverado Medium Duty 4500HD/5500HD/6500HD

Model/Feature Information		General Configuration Information	Minimum Wheelbase
Model:	C56403 K56403	4X2 TRUCK CONFIGURATION IROS REAR SUSPENSION	201" WB (120" CA) 63" OR 75" AF
Cab:	REGULAR CAB		
Aftertreatment:	HORIZONTAL	SIDE EXIT TAILPIPE AHEAD OF REAR WHEELS, RT SIDE (RPO NPK)	
Fuel Tank:	RPO NSQ DUAL 25G CA, 40G AF		
Battery Box:	RPO 7Y7/7Y8 28" STEEL, 2 BATTERIES	OPTIONAL AIR DRYER FWD OUTSIDE RT (RPO KUT/JPY)	
Air Tanks:	(1) OUTSIDE LEFT		
DEF Tank:	6.75 GAL		
Engine:	6.6L GM DURAMAX		



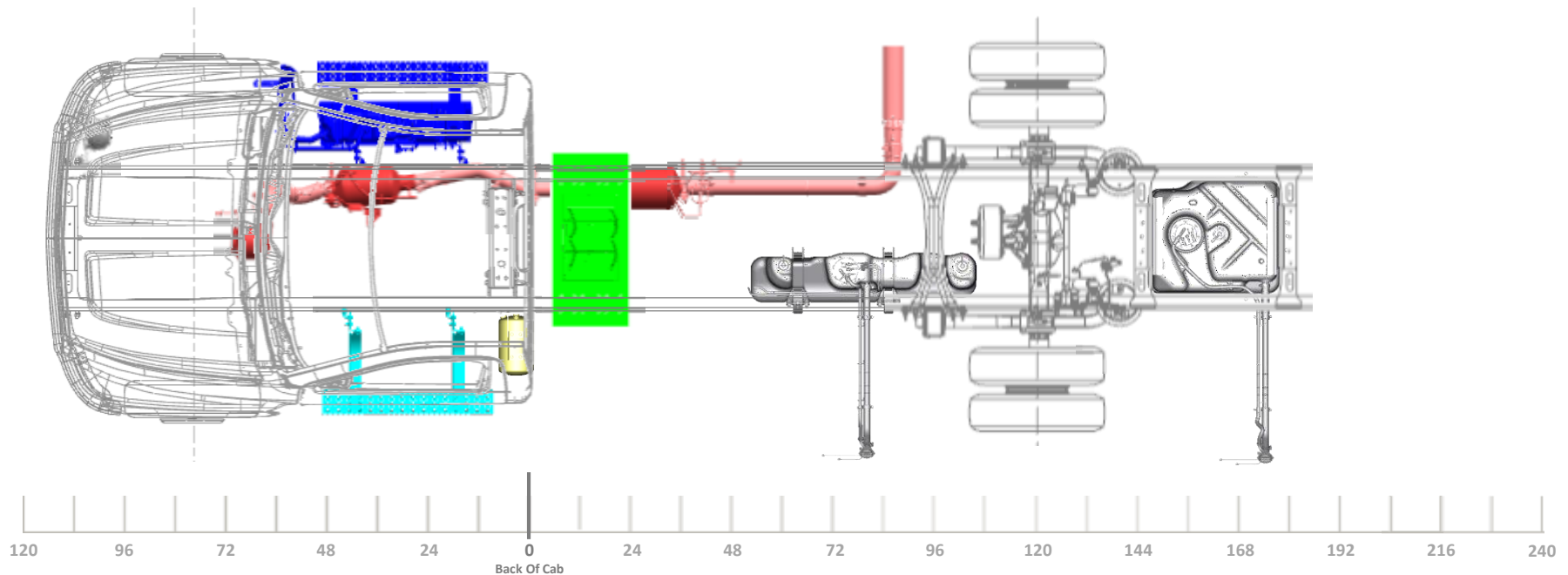
Silverado Medium Duty 4500HD/5500HD/6500HD

Model/Feature Information		General Configuration Information	Minimum Wheelbase
Model:	C56403 K56403	4X2 OR 4X4 TRUCK CONFIGURATION	201" WB (120" CA) 49", 63", OR 75" AF
Cab:	REGULAR CAB		
Aftertreatment:	HORIZONTAL	SIDE EXIT TAILPIPE AHEAD OF REAR WHEELS, RT SIDE (RPO NPK)	
Fuel Tank:	RPO NSQ DUAL 25G CA, 40G AF		
Battery Box:	RPO 7Y9 TEMP MTD, 3 BATT	OPTIONAL AIR DRYER FWD OUTSIDE RT (RPO KUT/JPY)	
Air Tanks:	(1) OUTSIDE LEFT		
DEF Tank:	6.75 GAL		
Engine:	6.6L GM DURAMAX		



Silverado Medium Duty 4500HD/5500HD/6500HD

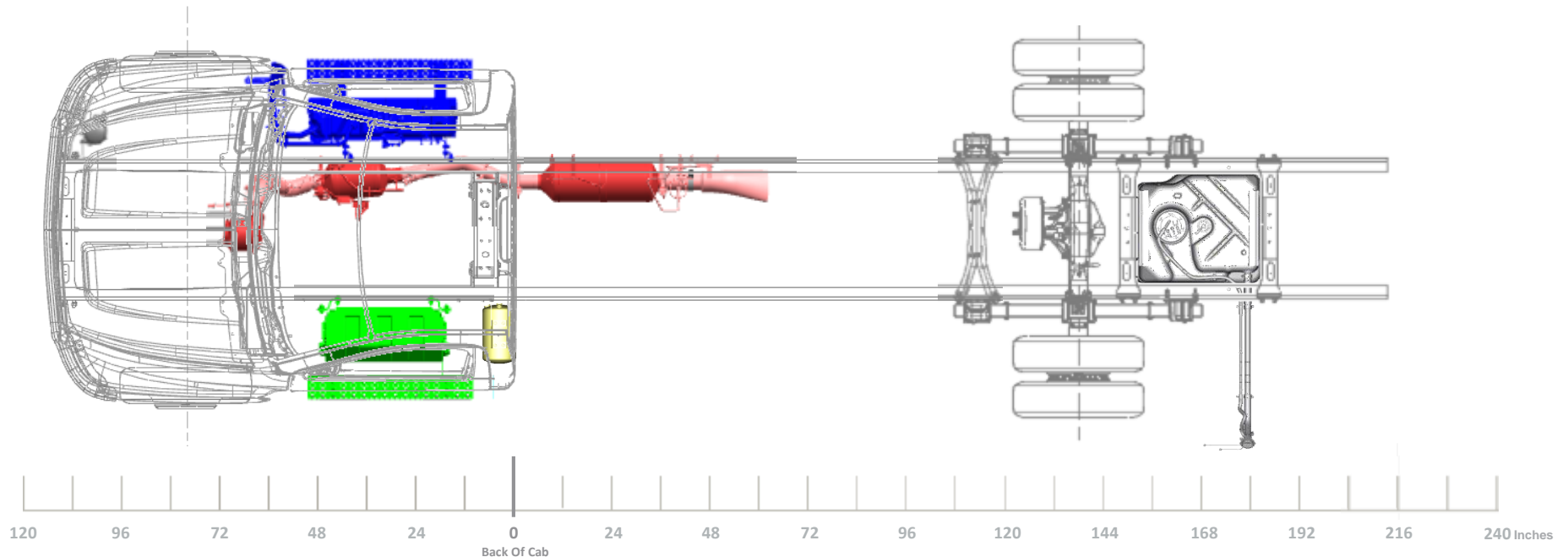
Model/Feature Information		General Configuration Information	Minimum Wheelbase
Model:	C56403 K56403	4X2 TRUCK CONFIGURATION IROS REAR SUSPENSION	201" WB (120" CA) 63" OR 75" AF
Cab:	REGULAR CAB		
Aftertreatment:	HORIZONTAL	SIDE EXIT TAILPIPE AHEAD OF REAR WHEELS, RT SIDE (RPO NPK)	
Fuel Tank:	RPO NSQ DUAL 25G CA, 40G AF		
Battery Box:	RPO 7Y9 TEMP MTD, 3 BATT	OPTIONAL AIR DRYER FWD OUTSIDE RT (RPO KUT/JPY)	
Air Tanks:	(1) OUTSIDE LEFT		
DEF Tank:	6.75 GAL		
Engine:	6.6L GM DURAMAX		



Regular Cab – 219” WB

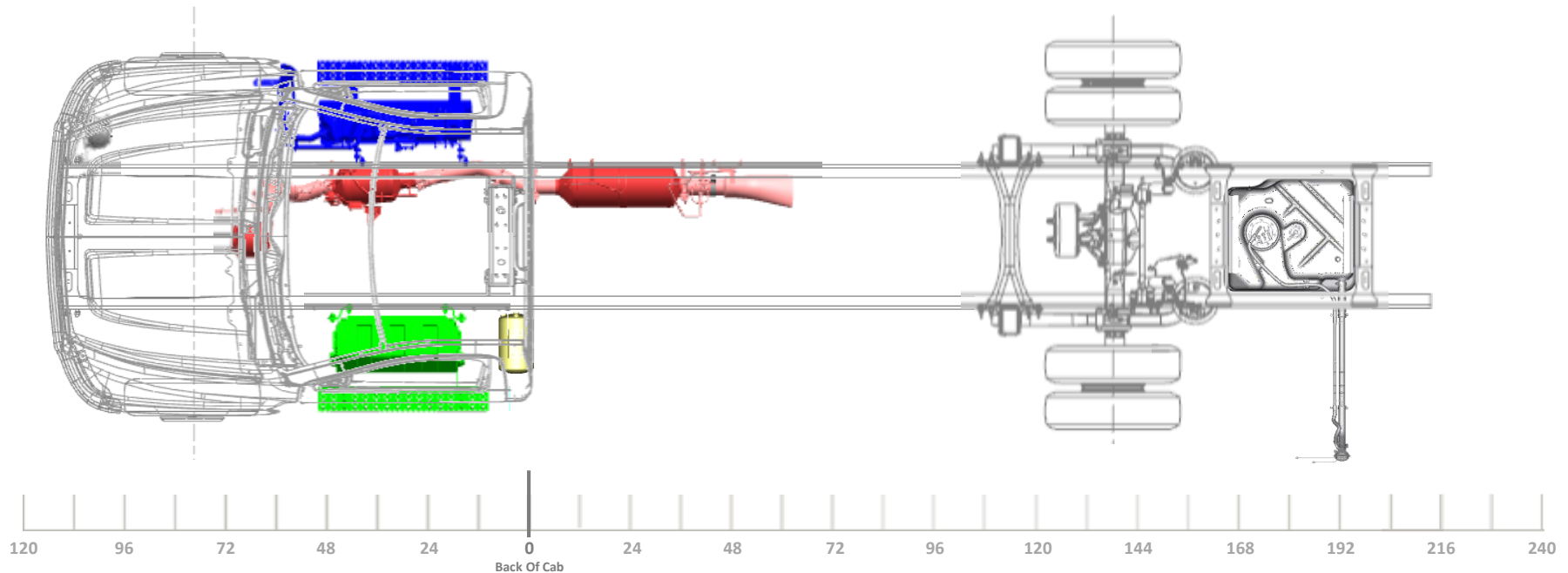
Silverado Medium Duty 4500HD/5500HD/6500HD

Model/Feature Information		General Configuration Information	Minimum Wheelbase
Model:	C56403 K56403	4X2 OR 4X4 TRUCK CONFIGURATION	219" WB (138" CA) 75" AF
Cab:	REGULAR CAB		
Aftertreatment:	HORIZONTAL	STRAIGHT TAILPIPE (RPO N12)	
Fuel Tank:	RPO N2L 40 GAL, AF MTD		
Battery Box:	RPO 7Y7/7Y8 28" STEEL, 2 BATTERIES	OPTIONAL AIR DRYER FWD OUTSIDE RT (RPO KUT/JPY)	
Air Tanks:	(1) OUTSIDE LEFT		
DEF Tank:	6.75 GAL		
Engine:	6.6L GM DURAMAX		



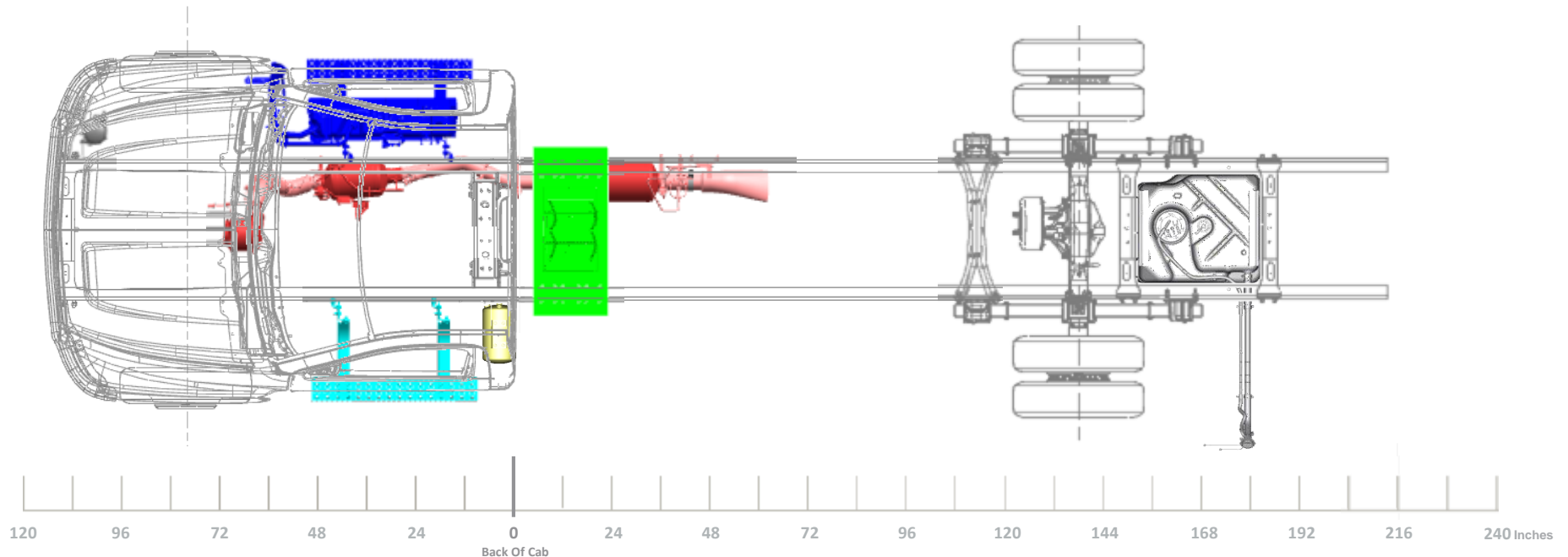
Silverado Medium Duty 4500HD/5500HD/6500HD

Model/Feature Information		General Configuration Information	Minimum Wheelbase
Model:	C56403 K56403	4X2 TRUCK CONFIGURATION IROS REAR SUSPENSION	219" WB (138" CA) 75" AF
Cab:	REGULAR CAB		
Aftertreatment:	HORIZONTAL	STRAIGHT TAILPIPE (RPO N12)	
Fuel Tank:	RPO N2L 40 GAL, AF MTD		
Battery Box:	RPO 7Y7/7Y8 28" STEEL, 2 BATTERIES	OPTIONAL AIR DRYER FWD OUTSIDE RT (RPO KUT/JPY)	
Air Tanks:	(1) OUTSIDE LEFT		
DEF Tank:	6.75 GAL		
Engine:	6.6L GM DURAMAX		



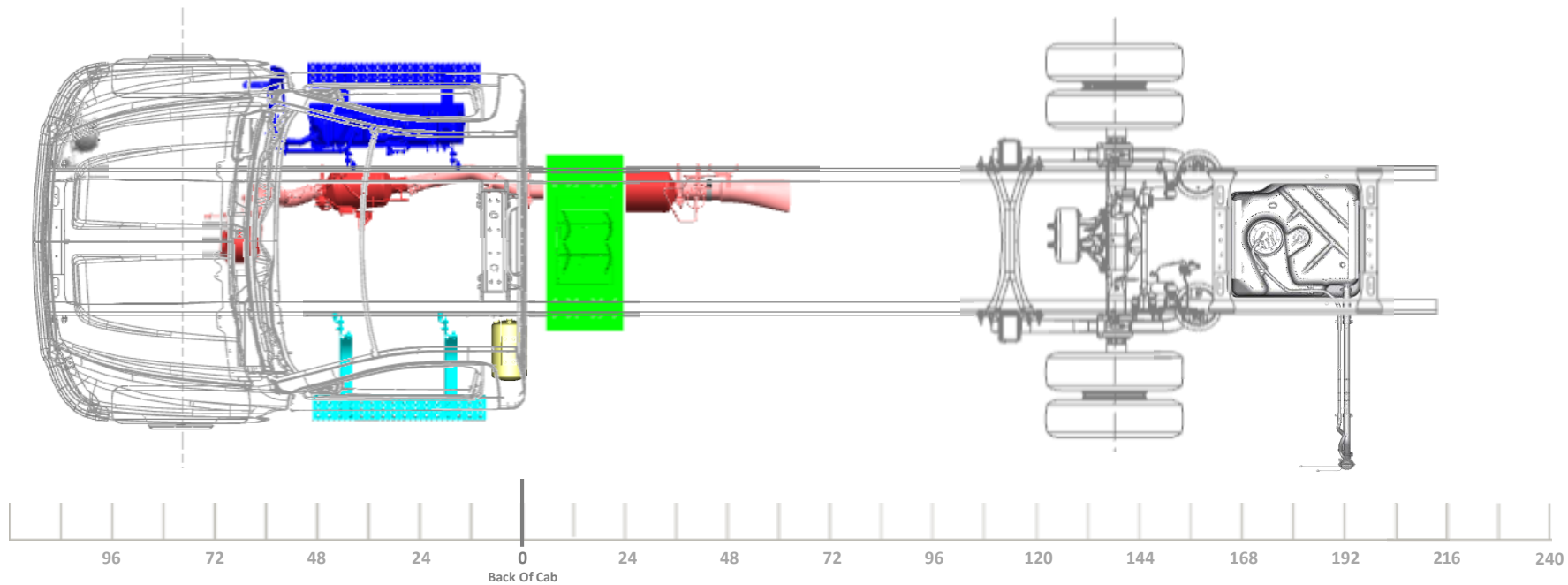
Silverado Medium Duty 4500HD/5500HD/6500HD

Model/Feature Information		General Configuration Information	Minimum Wheelbase
Model:	C56403 K56403	4X2 OR 4X4 TRUCK CONFIGURATION	219" WB (138" CA) 75" AF
Cab:	REGULAR CAB		
Aftertreatment:	HORIZONTAL	STRAIGHT TAILPIPE (RPO N12)	
Fuel Tank:	RPO N2L 40 GAL, AF MTD		
Battery Box:	RPO 7Y9 TEMP MTD, 3 BATT	OPTIONAL AIR DRYER FWD OUTSIDE RT (RPO KUT/JPY)	
Air Tanks:	(1) OUTSIDE LEFT		
DEF Tank:	6.75 GAL		
Engine:	6.6L GM DURAMAX		



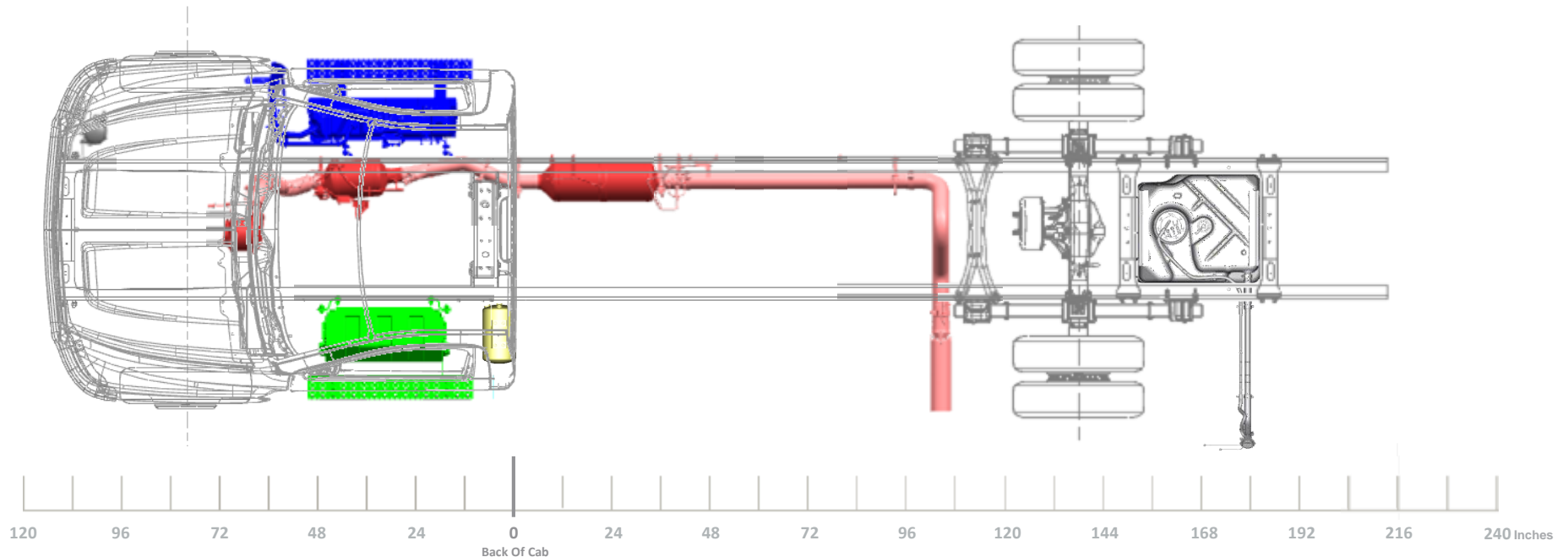
Silverado Medium Duty 4500HD/5500HD/6500HD

Model/Feature Information		General Configuration Information	Minimum Wheelbase
Model:	C56403 K56403	4X2 TRUCK CONFIGURATION IROS REAR SUSPENSION	219" WB (138" CA) 75" AF
Cab:	REGULAR CAB		
Aftertreatment:	HORIZONTAL	STRAIGHT TAILPIPE (RPO N12)	
Fuel Tank:	RPO N2L 40 GAL, AF MTD		
Battery Box:	RPO 7Y9 TEMP MTD, 3 BATT	OPTIONAL AIR DRYER FWD OUTSIDE RT (RPO KUT/JPY)	
Air Tanks:	(1) OUTSIDE LEFT		
DEF Tank:	6.75 GAL		
Engine:	6.6L GM DURAMAX		



Silverado Medium Duty 4500HD/5500HD/6500HD

Model/Feature Information		General Configuration Information	Minimum Wheelbase
Model:	C56403 K56403	4X2 OR 4X4 TRUCK CONFIGURATION	219" WB (138" CA) 75" AF
Cab:	REGULAR CAB		
Aftertreatment:	HORIZONTAL	SIDE EXIT TAILPIPE AHEAD OF REAR WHEELS, LT SIDE (RPO NPJ)	
Fuel Tank:	RPO N2L 40 GAL, AF MTD		
Battery Box:	RPO 7Y7/7Y8 28" STEEL, 2 BATTERIES	OPTIONAL AIR DRYER FWD OUTSIDE RT (RPO KUT/JPY)	
Air Tanks:	(1) OUTSIDE LEFT		
DEF Tank:	6.75 GAL		
Engine:	6.6L GM DURAMAX		

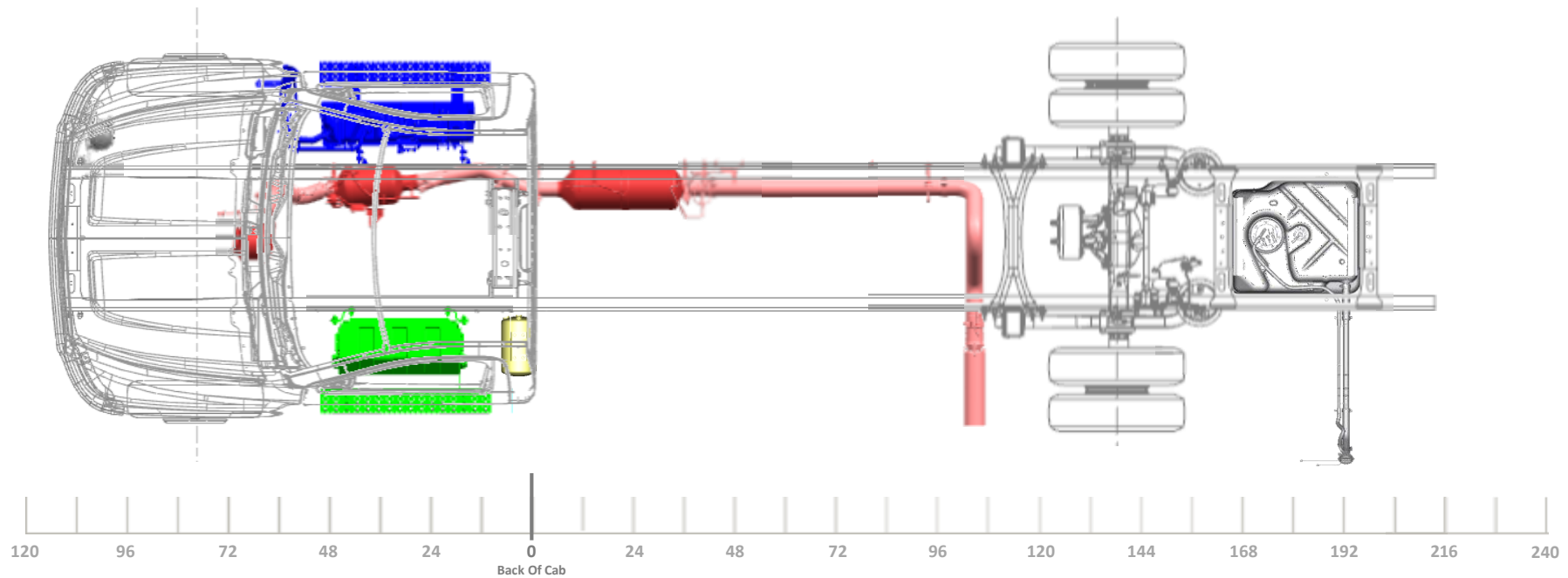


Silverado Medium Duty 4500HD/5500HD/6500HD

Model/Feature Information	
Model:	C56403 K56403
Cab:	REGULAR CAB
Aftertreatment:	HORIZONTAL
Fuel Tank:	RPO N2L 40 GAL, AF MTD
Battery Box:	RPO 7Y7/7Y8 28" STEEL, 2 BATTERIES
Air Tanks:	(1) OUTSIDE LEFT
DEF Tank:	6.75 GAL
Engine:	6.6L GM DURAMAX

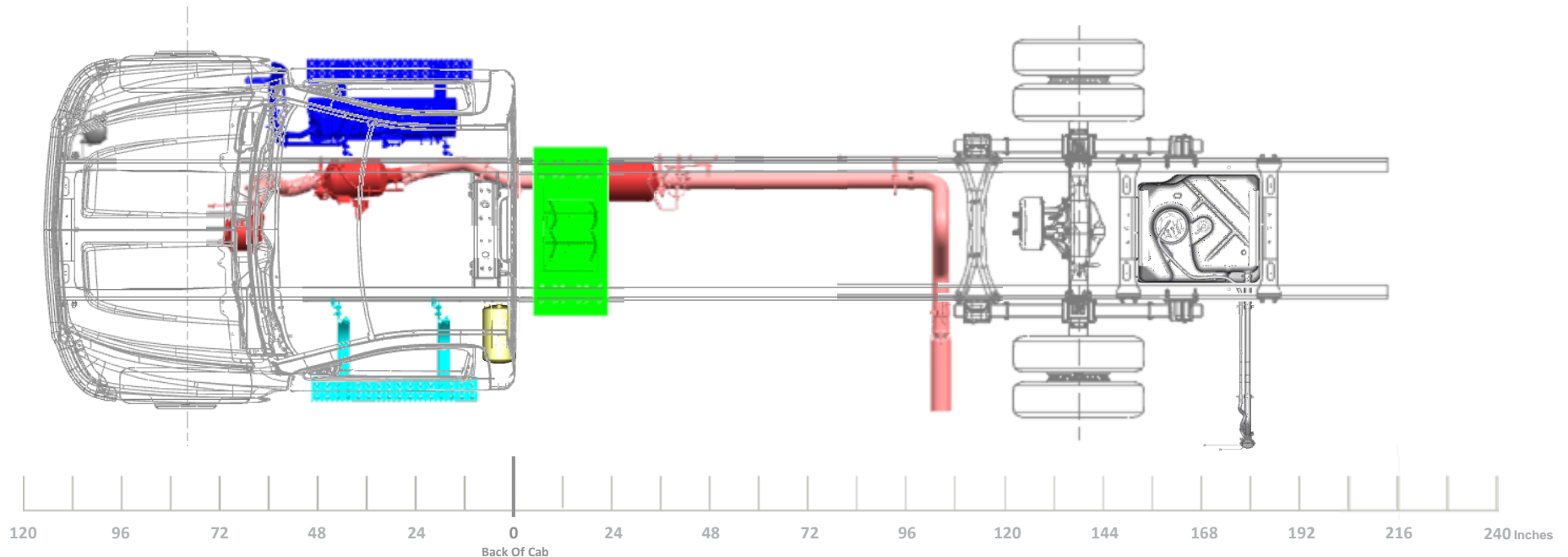
General Configuration Information
4X2 TRUCK CONFIGURATION IROS REAR SUSPENSION
SIDE EXIT TAILPIPE AHEAD OF REAR WHEELS, LT SIDE (RPO NPJ)
OPTIONAL AIR DRYER FWD OUTSIDE RT (RPO KUT/JPY)

Minimum Wheelbase
219" WB (138" CA) 75" AF



Silverado Medium Duty 4500HD/5500HD/6500HD

Model/Feature Information		General Configuration Information	Minimum Wheelbase
Model:	C56403 K56403	4X2 OR 4X4 TRUCK CONFIGURATION	219" WB (138" CA) 75" AF
Cab:	REGULAR CAB		
Aftertreatment:	HORIZONTAL	SIDE EXIT TAILPIPE AHEAD OF REAR WHEELS, LT SIDE (RPO NPJ)	
Fuel Tank:	RPO N2L 40 GAL, AF MTD		
Battery Box:	RPO 7Y9 TEMP MTD, 3 BATT	OPTIONAL AIR DRYER FWD OUTSIDE RT (RPO KUT/JPY)	
Air Tanks:	(1) OUTSIDE LEFT		
DEF Tank:	6.75 GAL		
Engine:	6.6L GM DURAMAX		

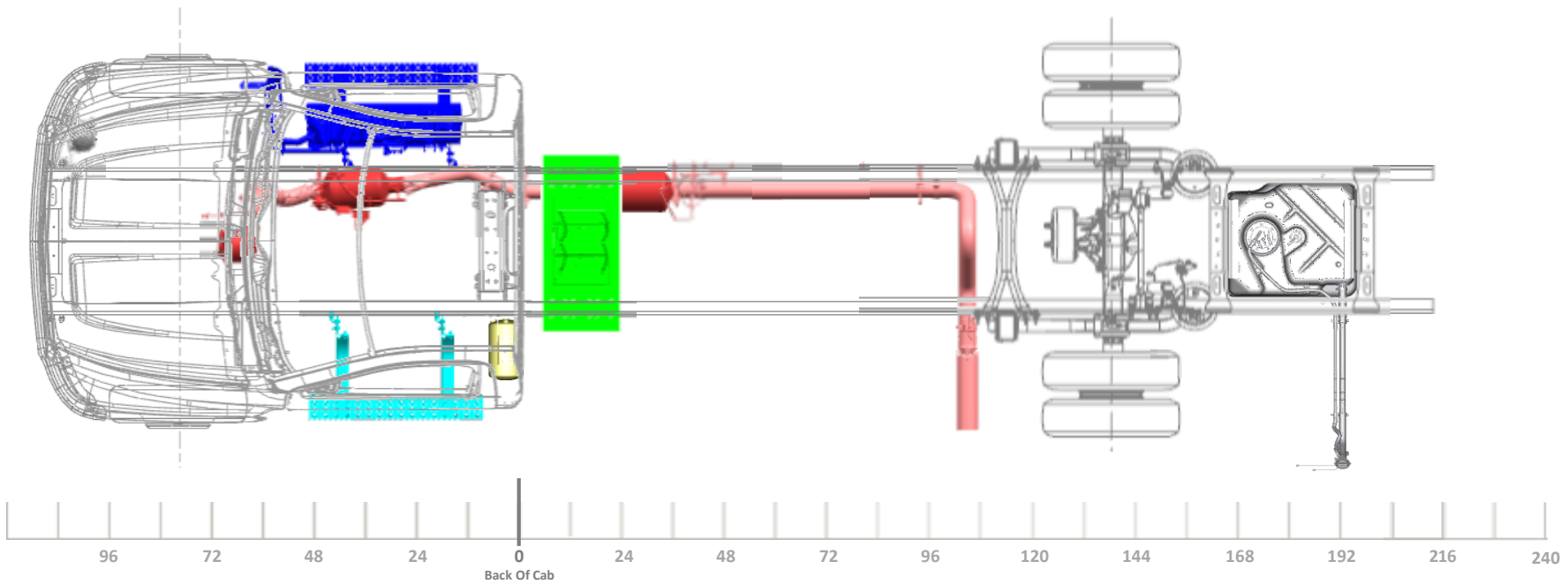


Silverado Medium Duty 4500HD/5500HD/6500HD

Model/Feature Information	
Model:	C56403 K56403
Cab:	REGULAR CAB
Aftertreatment:	HORIZONTAL
Fuel Tank:	RPO N2L 40 GAL, AF MTD
Battery Box:	RPO 7Y9 TEMP MTD, 3 BATT
Air Tanks:	(1) OUTSIDE LEFT
DEF Tank:	6.75 GAL
Engine:	6.6L GM DURAMAX

General Configuration Information
4X2 TRUCK CONFIGURATION IROS REAR SUSPENSION
SIDE EXIT TAILPIPE AHEAD OF REAR WHEELS, LT SIDE (RPO NPJ)
OPTIONAL AIR DRYER FWD OUTSIDE RT (RPO KUT/JPY)

Minimum Wheelbase
219" WB (138" CA) 75" AF

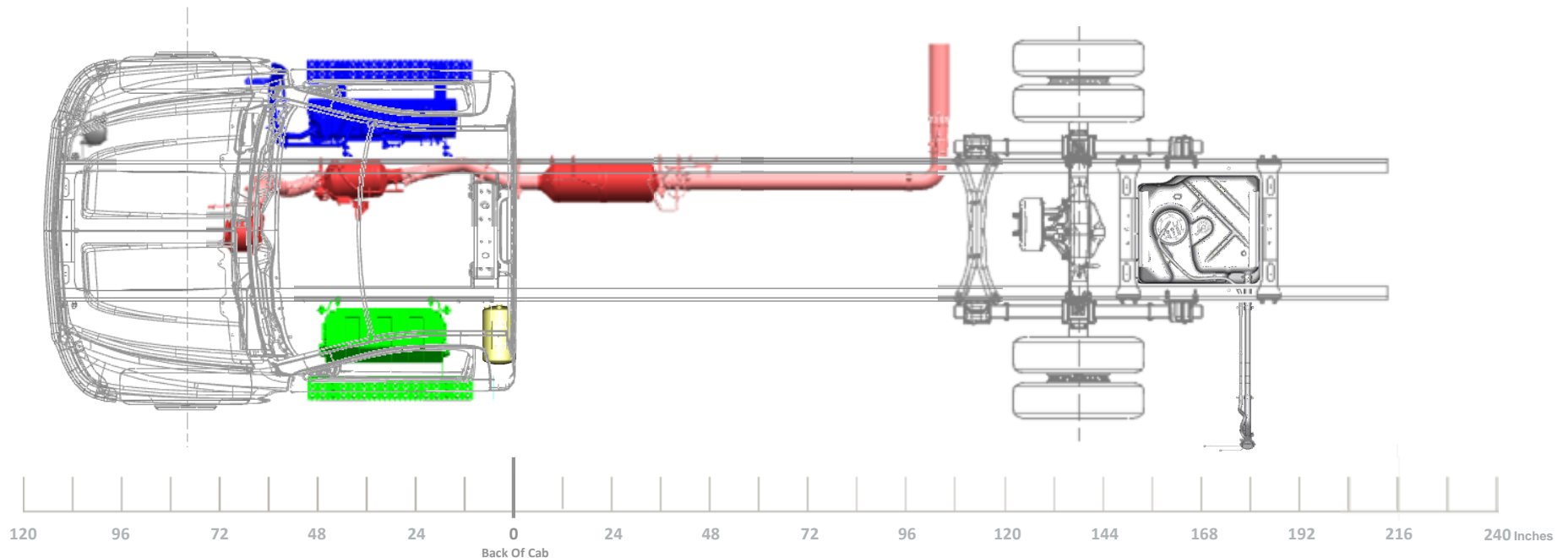


Silverado Medium Duty 4500HD/5500HD/6500HD

Model/Feature Information	
Model:	C56403 K56403
Cab:	REGULAR CAB
Aftertreatment:	HORIZONTAL
Fuel Tank:	RPO N2L 40 GAL, AF MTD
Battery Box:	RPO 7Y7/7Y8 28" STEEL, 2 BATTERIES
Air Tanks:	(1) OUTSIDE LEFT
DEF Tank:	6.75 GAL
Engine:	6.6L GM DURAMAX

General Configuration Information
4X2 OR 4X4 TRUCK CONFIGURATION
SIDE EXIT TAILPIPE AHEAD OF REAR WHEELS, RT SIDE (RPO NPK)
OPTIONAL AIR DRYER FWD OUTSIDE RT (RPO KUT/JPY)

Minimum Wheelbase
219" WB (138" CA) 75" AF

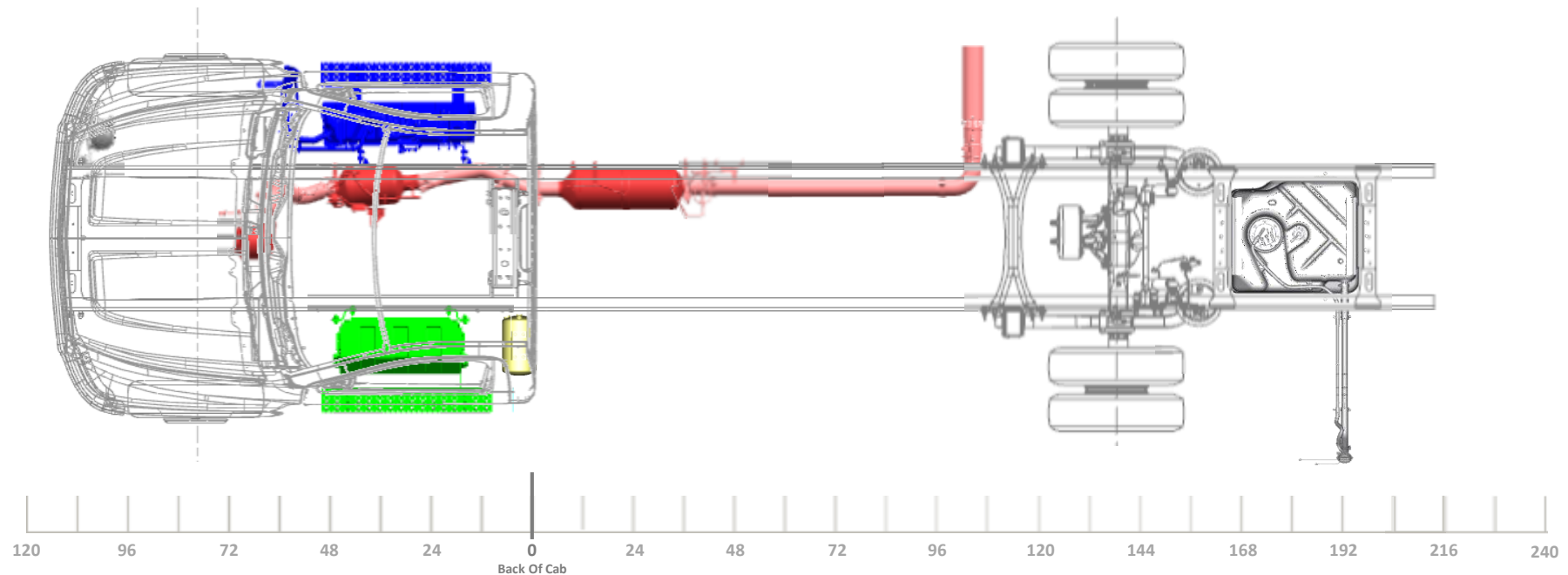


Silverado Medium Duty 4500HD/5500HD/6500HD

Model/Feature Information	
Model:	C56403 K56403
Cab:	REGULAR CAB
Aftertreatment:	HORIZONTAL
Fuel Tank:	RPO N2L 40 GAL, AF MTD
Battery Box:	RPO 7Y7/7Y8 28" STEEL, 2 BATTERIES
Air Tanks:	(1) OUTSIDE LEFT
DEF Tank:	6.75 GAL
Engine:	6.6L GM DURAMAX

General Configuration Information
4X2 TRUCK CONFIGURATION IROS REAR SUSPENSION
SIDE EXIT TAILPIPE AHEAD OF REAR WHEELS, RT SIDE (RPO NPK)
OPTIONAL AIR DRYER FWD OUTSIDE RT (RPO KUT/JPY)

Minimum Wheelbase
219" WB (138" CA) 75" AF

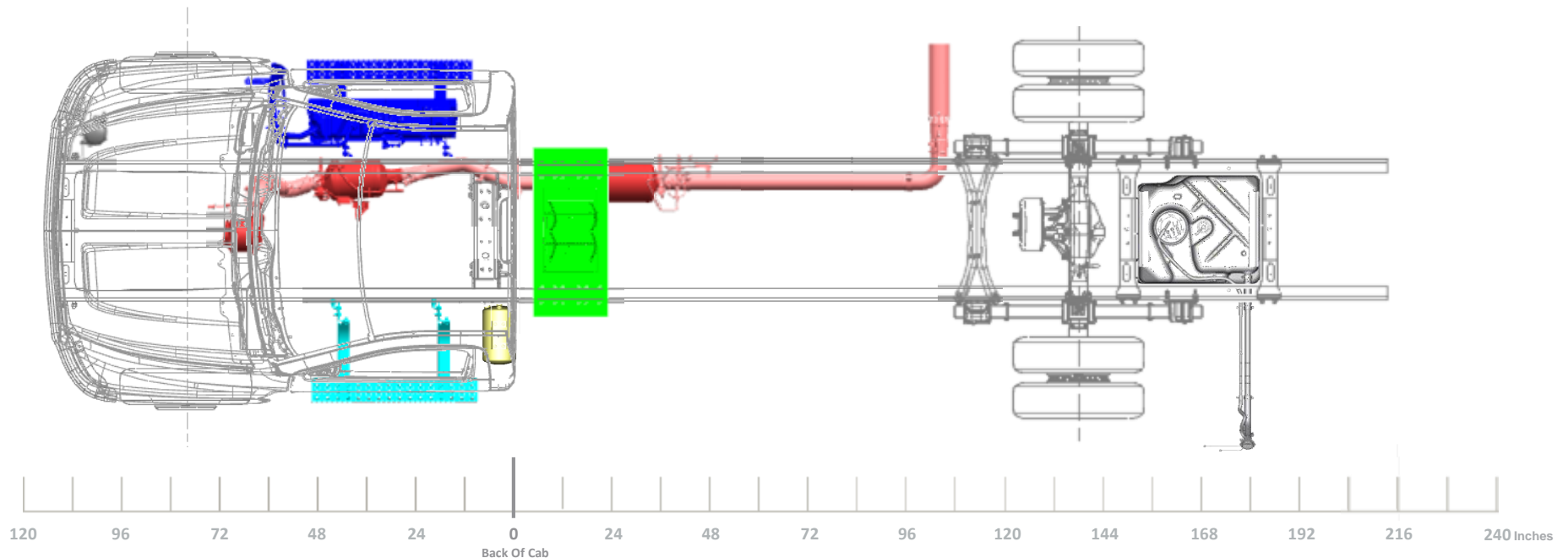


Silverado Medium Duty 4500HD/5500HD/6500HD

Model/Feature Information	
Model:	C56403 K56403
Cab:	REGULAR CAB
Aftertreatment:	HORIZONTAL
Fuel Tank:	RPO N2L 40 GAL, AF MTD
Battery Box:	RPO 7Y9 TEMP MTD, 3 BATT
Air Tanks:	(1) OUTSIDE LEFT
DEF Tank:	6.75 GAL
Engine:	6.6L GM DURAMAX

General Configuration Information
4X2 OR 4X4 TRUCK CONFIGURATION
SIDE EXIT TAILPIPE AHEAD OF REAR WHEELS, RT SIDE (RPO NPK)
OPTIONAL AIR DRYER FWD OUTSIDE RT (RPO KUT/JPY)

Minimum Wheelbase
219" WB (138" CA) 75" AF

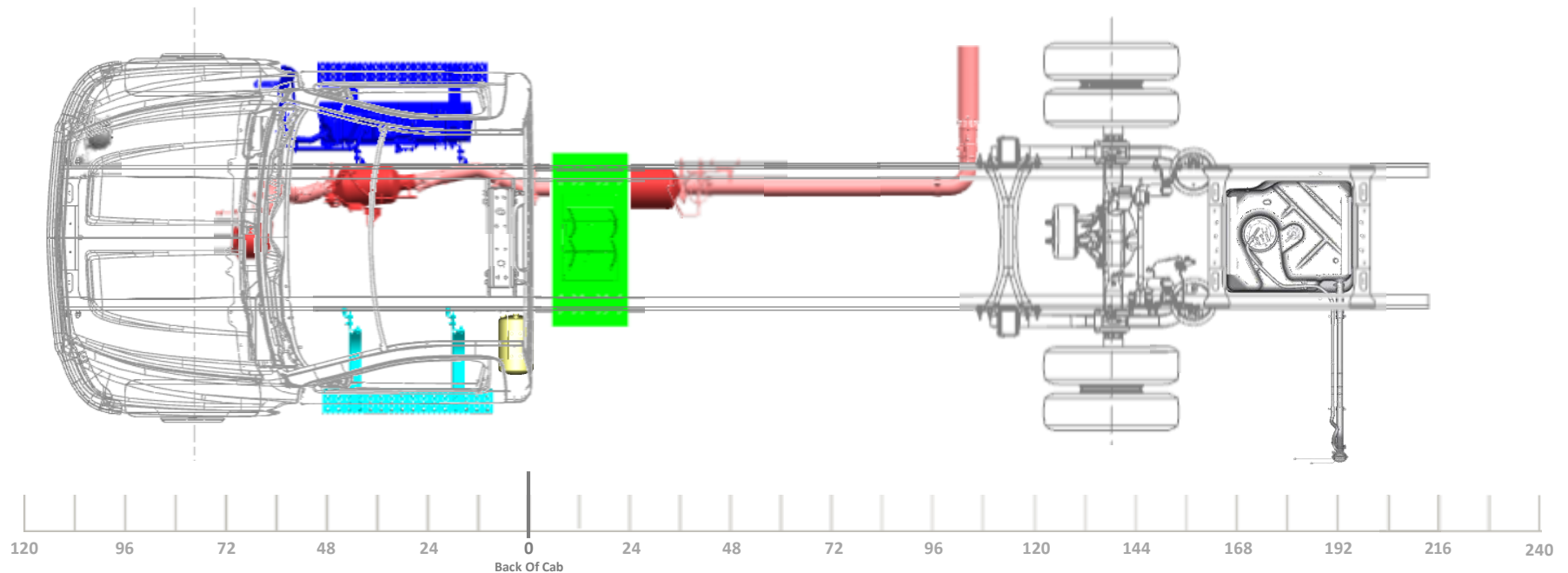


Silverado Medium Duty 4500HD/5500HD/6500HD

Model/Feature Information	
Model:	C56403 K56403
Cab:	REGULAR CAB
Aftertreatment:	HORIZONTAL
Fuel Tank:	RPO N2L 40 GAL, AF MTD
Battery Box:	RPO 7Y9 TEMP MTD, 3 BATT
Air Tanks:	(1) OUTSIDE LEFT
DEF Tank:	6.75 GAL
Engine:	6.6L GM DURAMAX

General Configuration Information
4X2 TRUCK CONFIGURATION IROS REAR SUSPENSION
SIDE EXIT TAILPIPE AHEAD OF REAR WHEELS, RT SIDE (RPO NPK)
OPTIONAL AIR DRYER FWD OUTSIDE RT (RPO KUT/JPY)

Minimum Wheelbase
219" WB (138" CA) 75" AF

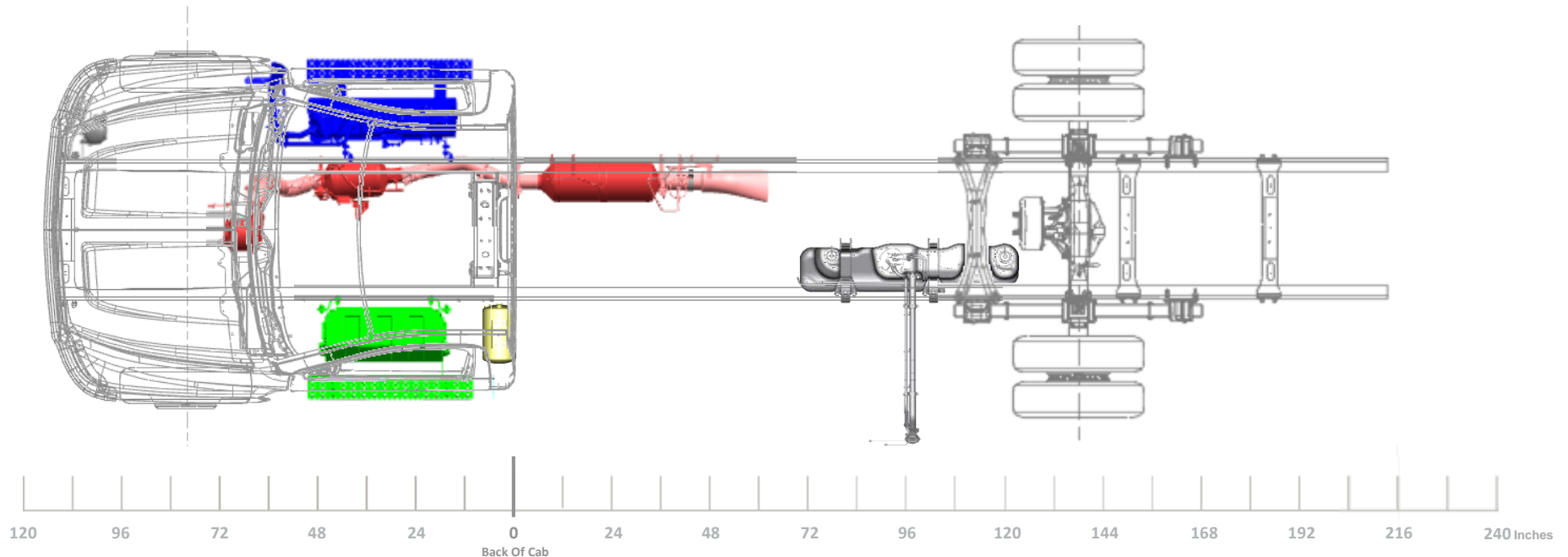


Silverado Medium Duty 4500HD/5500HD/6500HD

Model/Feature Information	
Model:	C56403 K56403
Cab:	REGULAR CAB
Aftertreatment:	HORIZONTAL
Fuel Tank:	RPO NVK 25 GAL, CA MTD
Battery Box:	RPO 7Y7/7Y8 28" STEEL, 2 BATTERIES
Air Tanks:	(1) OUTSIDE LEFT
DEF Tank:	6.75 GAL
Engine:	6.6L GM DURAMAX

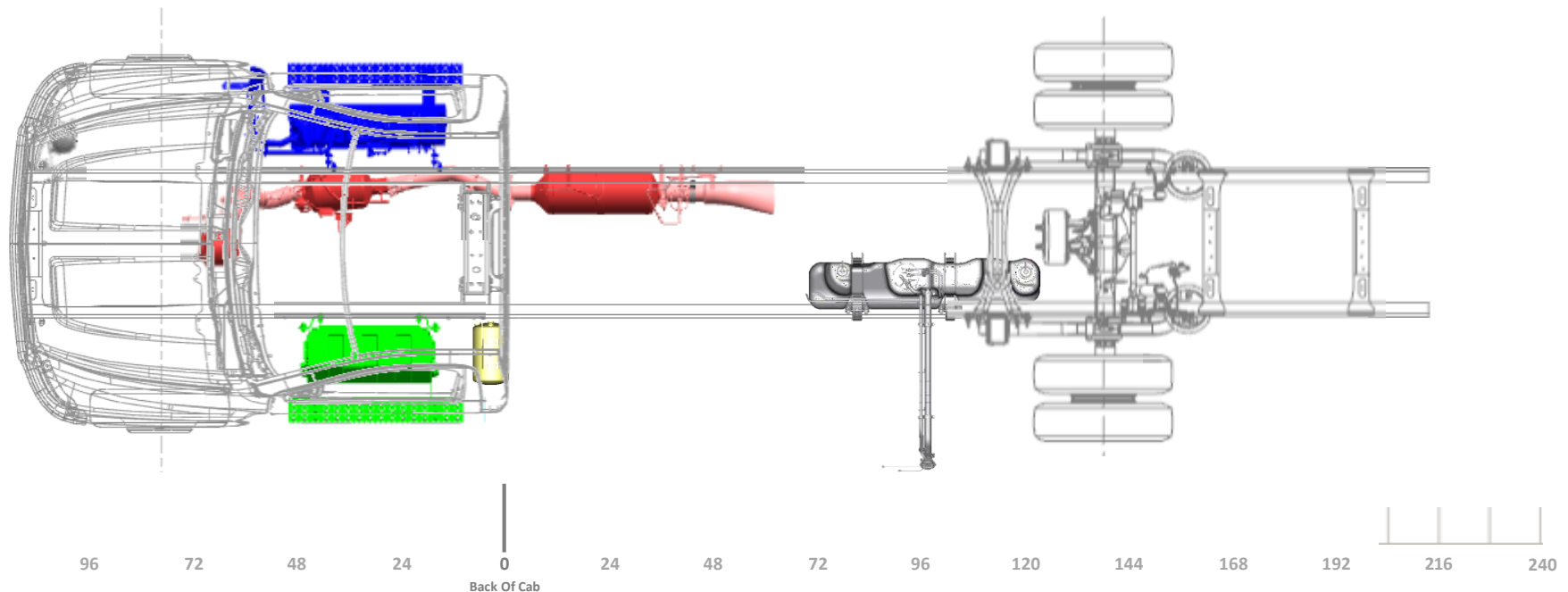
General Configuration Information
4X2 OR 4X4 TRUCK CONFIGURATION
STRAIGHT TAILPIPE (RPO N12)
OPTIONAL AIR DRYER FWD OUTSIDE RT (RPO KUT/JPY)

Minimum Wheelbase
219" WB (138" CA) 75" AF



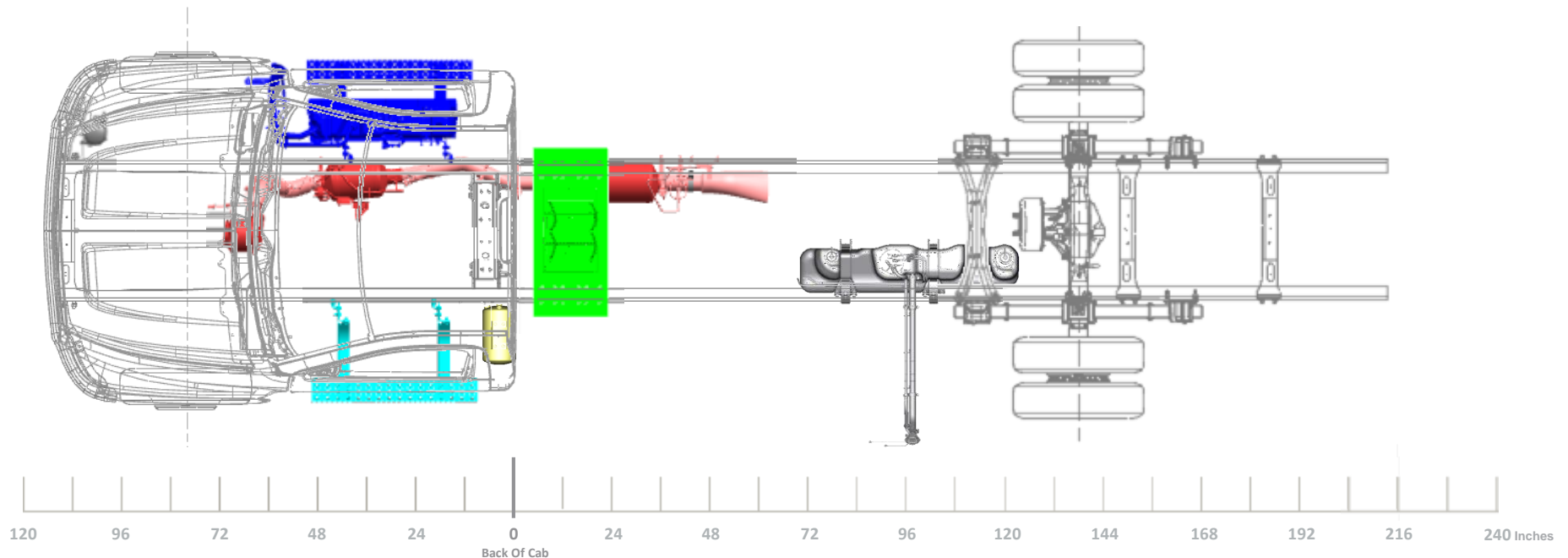
Silverado Medium Duty 4500HD/5500HD/6500HD

Model/Feature Information		General Configuration Information	Minimum Wheelbase
Model:	C56403 K56403	4X2 TRUCK CONFIGURATION IROS REAR SUSPENSION	219" WB (138" CA) 75" AF
Cab:	REGULAR CAB		
Aftertreatment:	HORIZONTAL	STRAIGHT TAILPIPE (RPO N12)	
Fuel Tank:	RPO NVK 25 GAL, CA MTD		
Battery Box:	RPO 7Y7/7Y8 28" STEEL, 2 BATTERIES	OPTIONAL AIR DRYER FWD OUTSIDE RT (RPO KUT/JPY)	
Air Tanks:	(1) OUTSIDE LEFT		
DEF Tank:	6.75 GAL		
Engine:	6.6L GM DURAMAX		



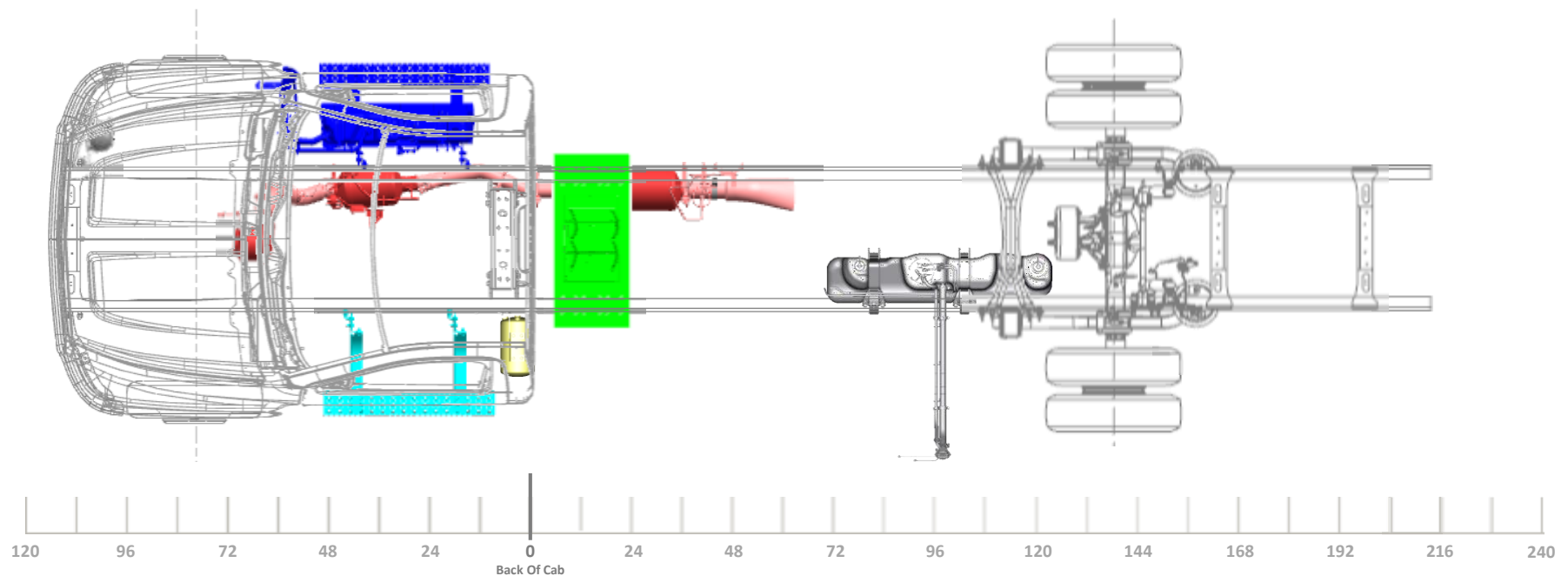
Silverado Medium Duty 4500HD/5500HD/6500HD

Model/Feature Information		General Configuration Information	Minimum Wheelbase
Model:	C56403 K56403	4X2 OR 4X4 TRUCK CONFIGURATION	219" WB (138" CA) 75" AF
Cab:	REGULAR CAB		
Aftertreatment:	HORIZONTAL	STRAIGHT TAILPIPE (RPO N12)	
Fuel Tank:	RPO NVK 25 GAL, CA MTD		
Battery Box:	RPO 7Y9 TEMP MTD, 3 BATT	OPTIONAL AIR DRYER FWD OUTSIDE RT (RPO KUT/JPY)	
Air Tanks:	(1) OUTSIDE LEFT		
DEF Tank:	6.75 GAL		
Engine:	6.6L GM DURAMAX		



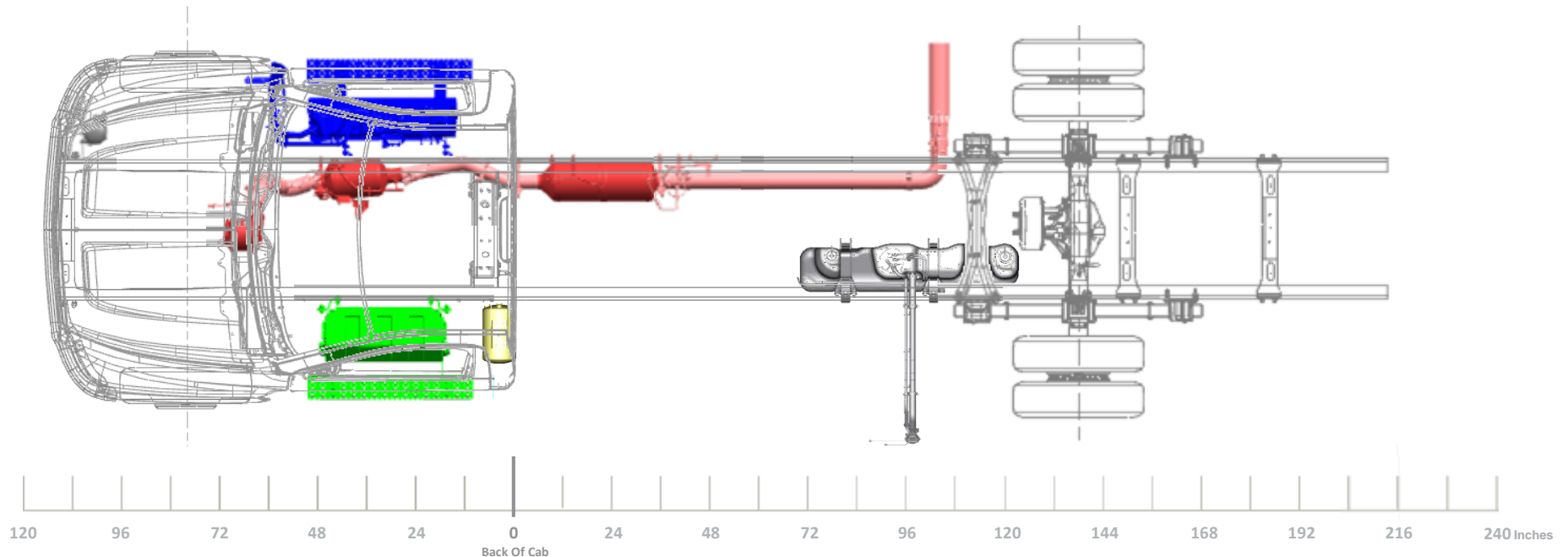
Silverado Medium Duty 4500HD/5500HD/6500HD

Model/Feature Information		General Configuration Information	Minimum Wheelbase
Model:	C56403 K56403	4X2 TRUCK CONFIGURATION IROS REAR SUSPENSION	219" WB (138" CA) 75" AF
Cab:	REGULAR CAB		
Aftertreatment:	HORIZONTAL	STRAIGHT TAILPIPE (RPO N12)	
Fuel Tank:	RPO NVK 25 GAL, CA MTD		
Battery Box:	RPO 7Y9 TEMP MTD, 3 BATT	OPTIONAL AIR DRYER FWD OUTSIDE RT (RPO KUT/JPY)	
Air Tanks:	(1) OUTSIDE LEFT		
DEF Tank:	6.75 GAL		
Engine:	6.6L GM DURAMAX		



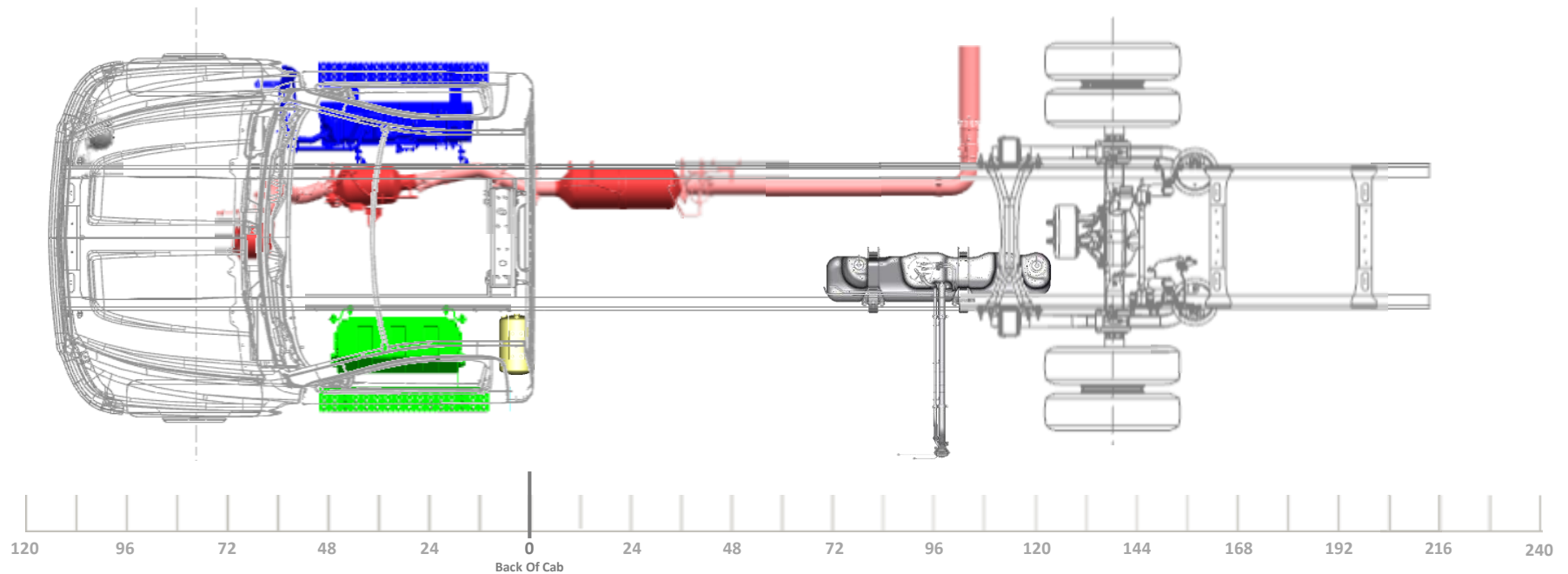
Silverado Medium Duty 4500HD/5500HD/6500HD

Model/Feature Information		General Configuration Information	Minimum Wheelbase
Model:	C56403 K56403	4X2 OR 4X4 TRUCK CONFIGURATION	219" WB (138" CA) 75" AF
Cab:	REGULAR CAB		
Aftertreatment:	HORIZONTAL	SIDE EXIT TAILPIPE AHEAD OF REAR WHEELS, RT SIDE (RPO NPK)	
Fuel Tank:	RPO NVK 25 GAL, CA MTD		
Battery Box:	RPO 7Y7/7Y8 28" STEEL, 2 BATTERIES	OPTIONAL AIR DRYER FWD OUTSIDE RT (RPO KUT/JPY)	
Air Tanks:	(1) OUTSIDE LEFT		
DEF Tank:	6.75 GAL		
Engine:	6.6L GM DURAMAX		



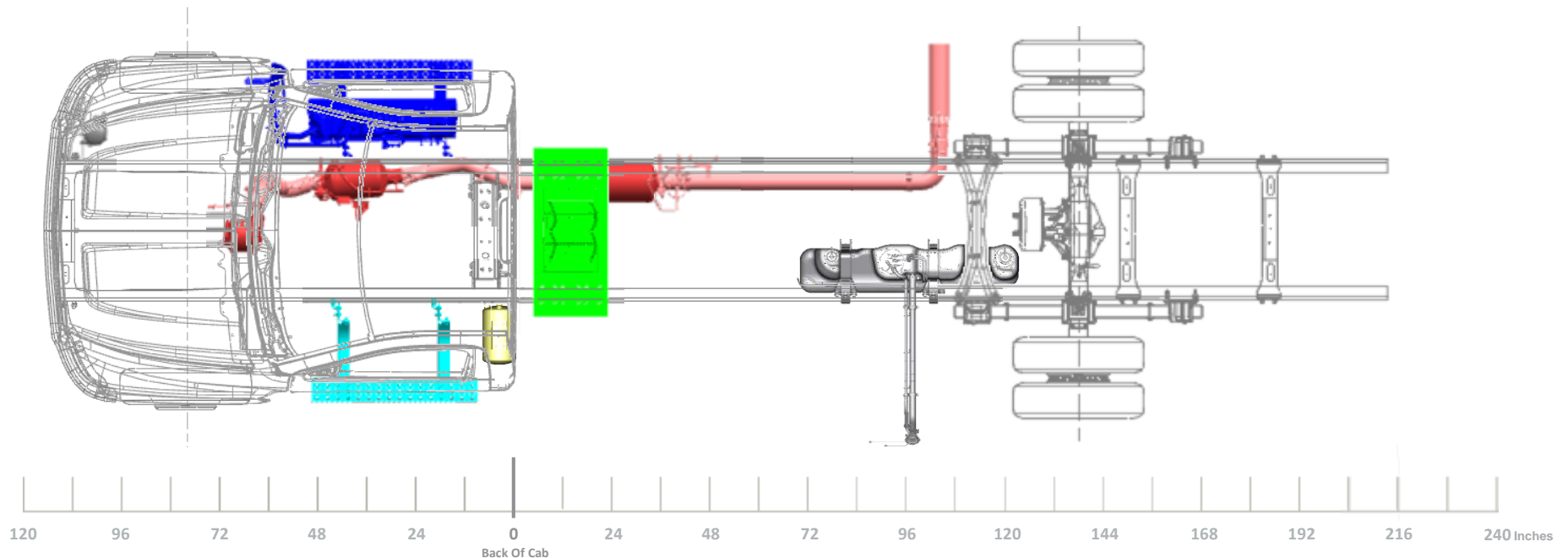
Silverado Medium Duty 4500HD/5500HD/6500HD

Model/Feature Information		General Configuration Information	Minimum Wheelbase
Model:	C56403 K56403	4X2 TRUCK CONFIGURATION IROS REAR SUSPENSION	219" WB (138" CA) 75" AF
Cab:	REGULAR CAB		
Aftertreatment:	HORIZONTAL	SIDE EXIT TAILPIPE AHEAD OF REAR WHEELS, RT SIDE (RPO NPK)	
Fuel Tank:	RPO NVK 25 GAL, CA MTD		
Battery Box:	RPO 7Y7/7Y8 28" STEEL, 2 BATTERIES	OPTIONAL AIR DRYER FWD OUTSIDE RT (RPO KUT/JPY)	
Air Tanks:	(1) OUTSIDE LEFT		
DEF Tank:	6.75 GAL		
Engine:	6.6L GM DURAMAX		



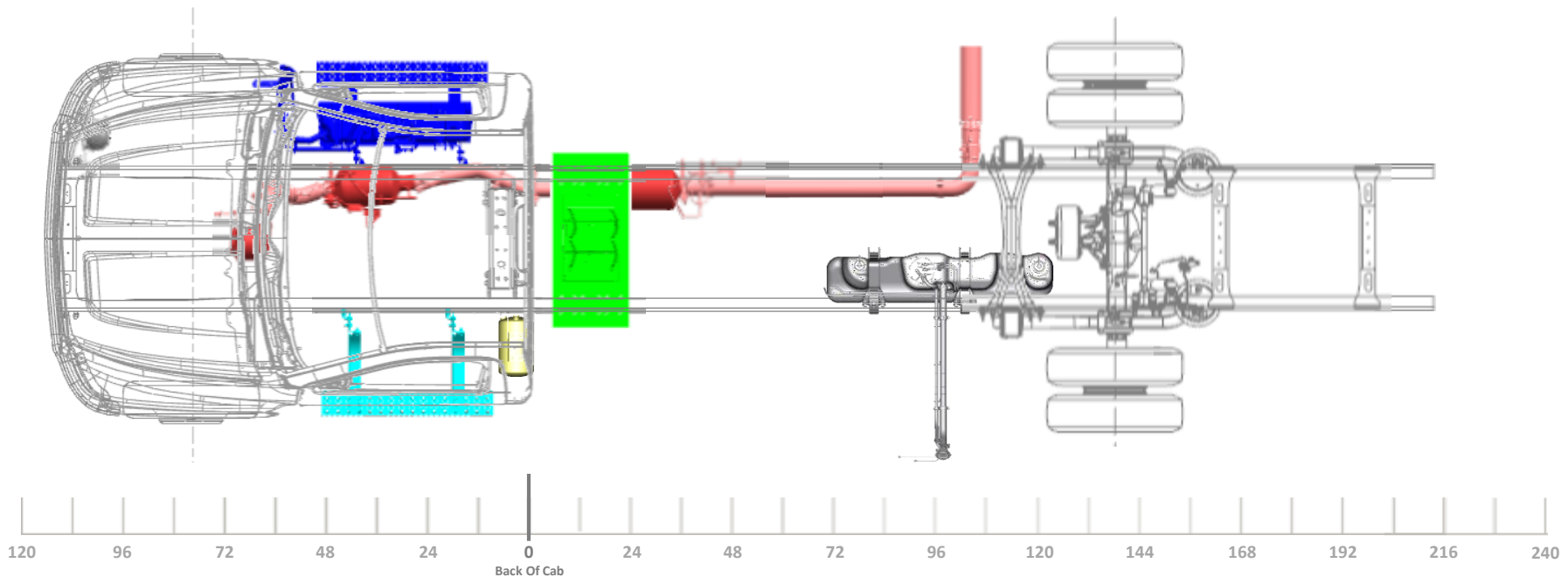
Silverado Medium Duty 4500HD/5500HD/6500HD

Model/Feature Information		General Configuration Information	Minimum Wheelbase
Model:	C56403 K56403	4X2 OR 4X4 TRUCK CONFIGURATION	219" WB (138" CA) 75" AF
Cab:	REGULAR CAB		
Aftertreatment:	HORIZONTAL	SIDE EXIT TAILPIPE AHEAD OF REAR WHEELS, RT SIDE (RPO NPK)	
Fuel Tank:	RPO NVK 25 GAL, CA MTD		
Battery Box:	RPO 7Y9 TEMP MTD, 3 BATT	OPTIONAL AIR DRYER FWD OUTSIDE RT (RPO KUT/JPY)	
Air Tanks:	(1) OUTSIDE LEFT		
DEF Tank:	6.75 GAL		
Engine:	6.6L GM DURAMAX		



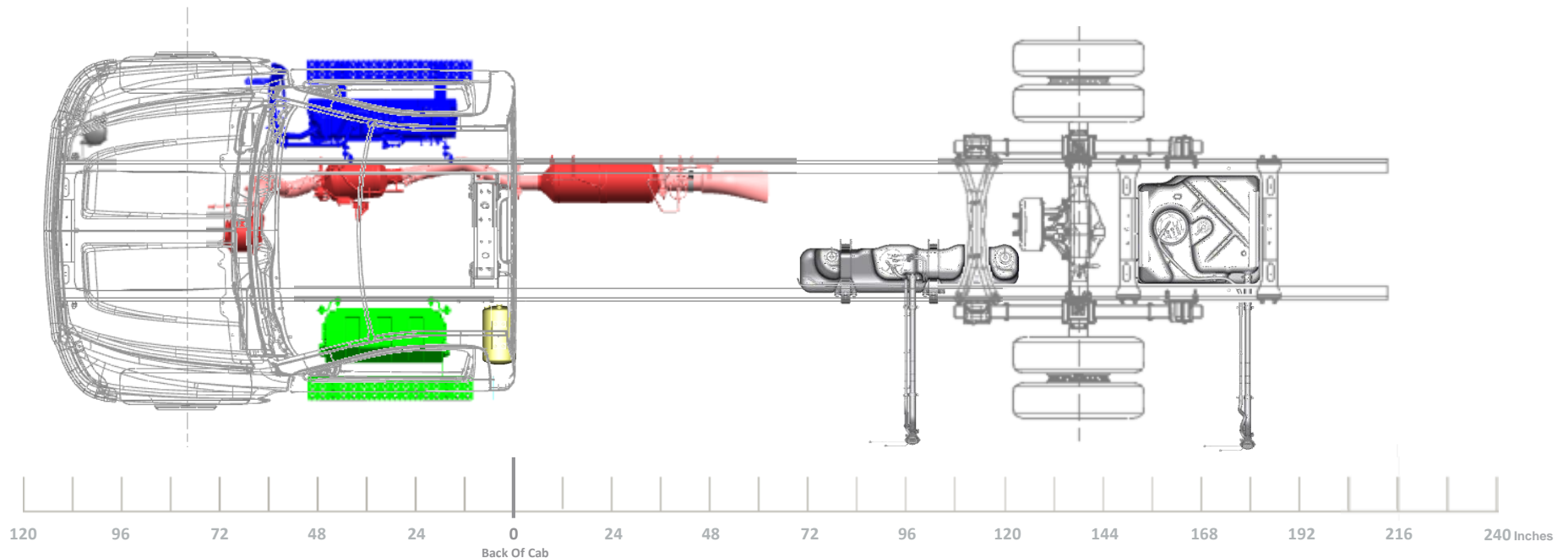
Silverado Medium Duty 4500HD/5500HD/6500HD

Model/Feature Information		General Configuration Information	Minimum Wheelbase
Model:	C56403 K56403	4X2 TRUCK CONFIGURATION IROS REAR SUSPENSION	219" WB (138" CA) 75" AF
Cab:	REGULAR CAB		
Aftertreatment:	HORIZONTAL	SIDE EXIT TAILPIPE AHEAD OF REAR WHEELS, RT SIDE (RPO NPK)	
Fuel Tank:	RPO NVK 25 GAL, CA MTD		
Battery Box:	RPO 7Y9 TEMP MTD, 3 BATT	OPTIONAL AIR DRYER FWD OUTSIDE RT (RPO KUT/JPY)	
Air Tanks:	(1) OUTSIDE LEFT		
DEF Tank:	6.75 GAL		
Engine:	6.6L GM DURAMAX		



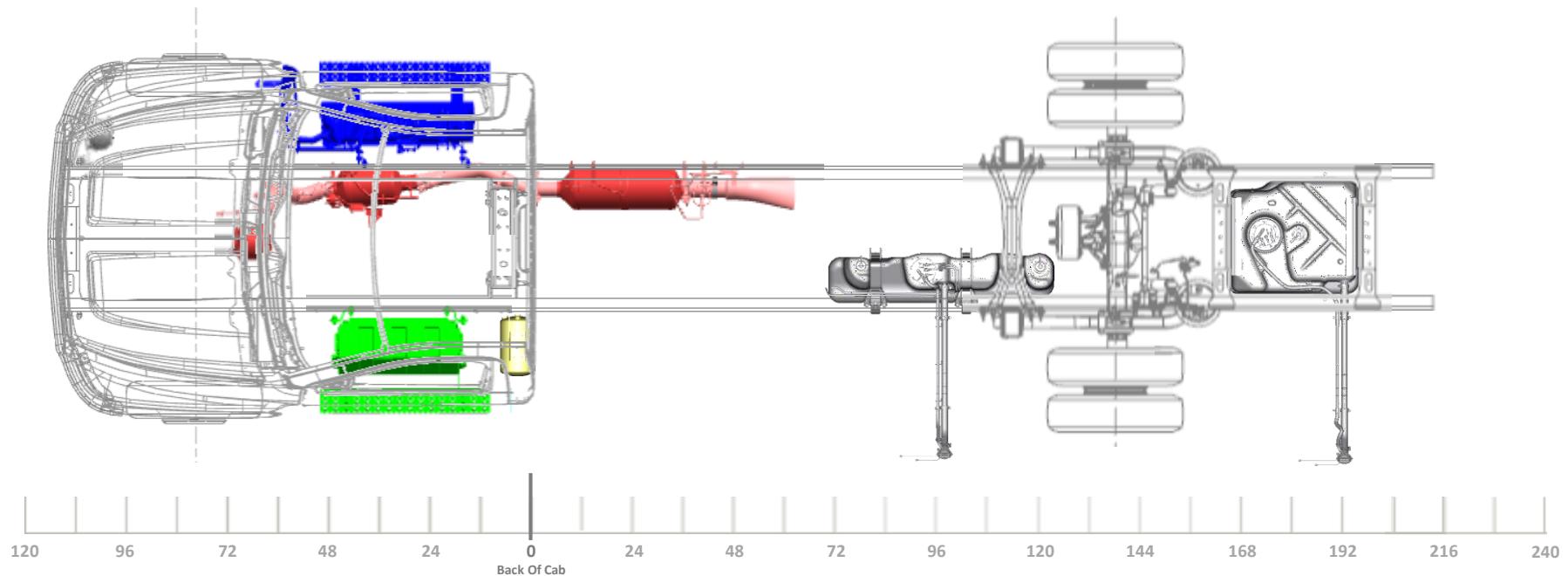
Silverado Medium Duty 4500HD/5500HD/6500HD

Model/Feature Information		General Configuration Information	Minimum Wheelbase
Model:	C56403 K56403	4X2 OR 4X4 TRUCK CONFIGURATION	219" WB (138" CA) 75" AF
Cab:	REGULAR CAB		
Aftertreatment:	HORIZONTAL	STRAIGHT TAILPIPE (RPO N12)	
Fuel Tank:	RPO NSQ DUAL 25G CA, 40G AF		
Battery Box:	RPO 7Y7/7Y8 28" STEEL, 2 BATTERIES	OPTIONAL AIR DRYER FWD OUTSIDE RT (RPO KUT/JPY)	
Air Tanks:	(1) OUTSIDE LEFT		
DEF Tank:	6.75 GAL		
Engine:	6.6L GM DURAMAX		



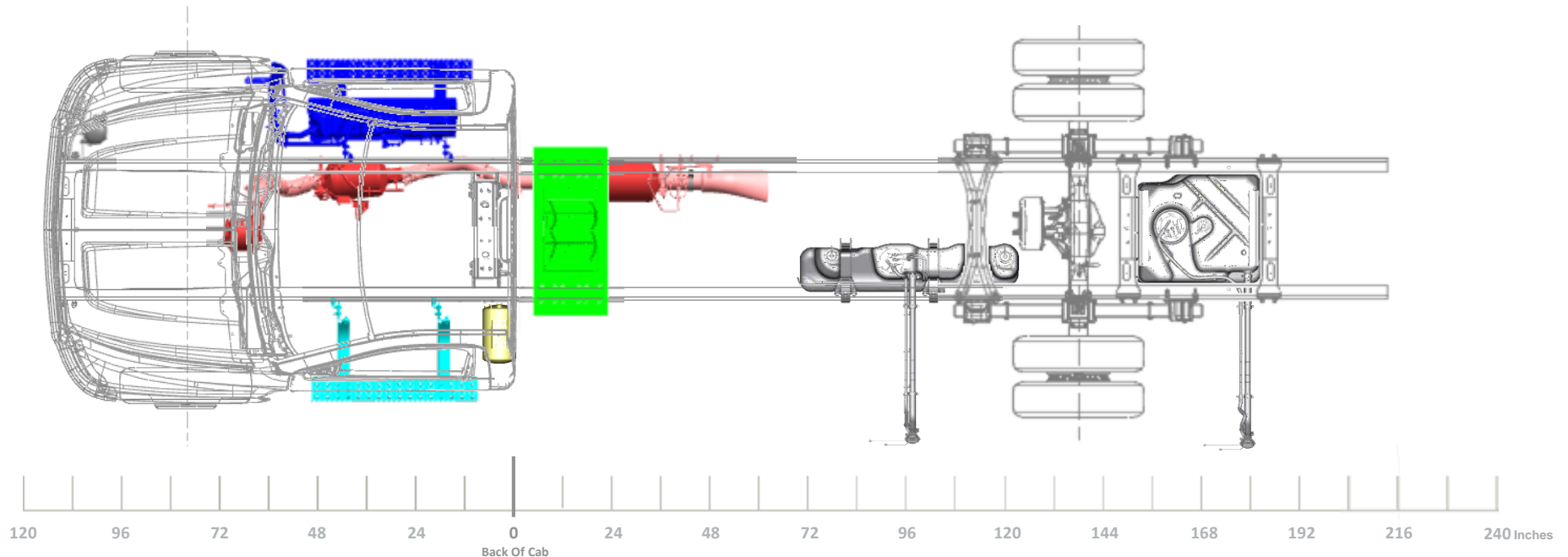
Silverado Medium Duty 4500HD/5500HD/6500HD

Model/Feature Information		General Configuration Information	Minimum Wheelbase
Model:	C56403 K56403	4X2 TRUCK CONFIGURATION IROS REAR SUSPENSION	219" WB (138" CA) 75" AF
Cab:	REGULAR CAB		
Aftertreatment:	HORIZONTAL	STRAIGHT TAILPIPE (RPO N12)	
Fuel Tank:	RPO NSQ DUAL 25G CA, 40G AF		
Battery Box:	RPO 7Y7/7Y8 28" STEEL, 2 BATTERIES	OPTIONAL AIR DRYER FWD OUTSIDE RT (RPO KUT/JPY)	
Air Tanks:	(1) OUTSIDE LEFT		
DEF Tank:	6.75 GAL		
Engine:	6.6L GM DURAMAX		



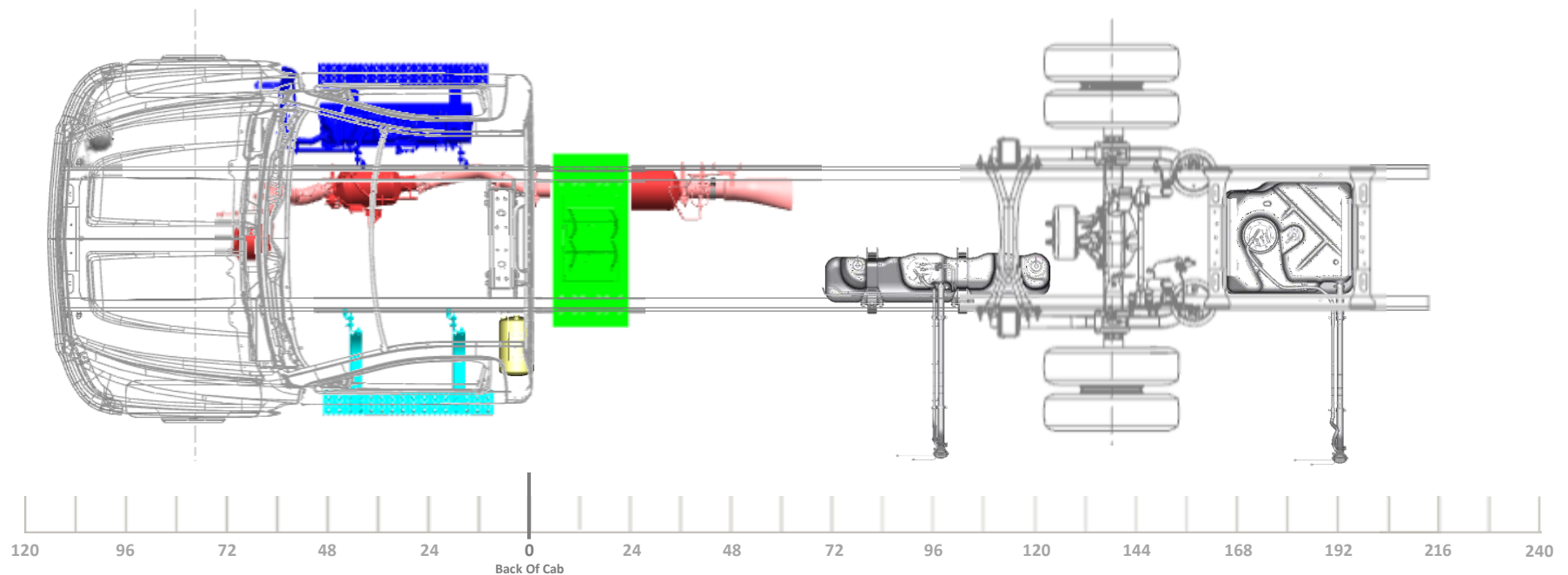
Silverado Medium Duty 4500HD/5500HD/6500HD

Model/Feature Information		General Configuration Information	Minimum Wheelbase
Model:	C56403 K56403	4X2 OR 4X4 TRUCK CONFIGURATION	219" WB (138" CA) 75" AF
Cab:	REGULAR CAB		
Aftertreatment:	HORIZONTAL	STRAIGHT TAILPIPE (RPO N12)	
Fuel Tank:	RPO NSQ DUAL 25G CA, 40G AF		
Battery Box:	RPO 7Y9 TEMP MTD, 3 BATT	OPTIONAL AIR DRYER FWD OUTSIDE RT (RPO KUT/JPY)	
Air Tanks:	(1) OUTSIDE LEFT		
DEF Tank:	6.75 GAL		
Engine:	6.6L GM DURAMAX		



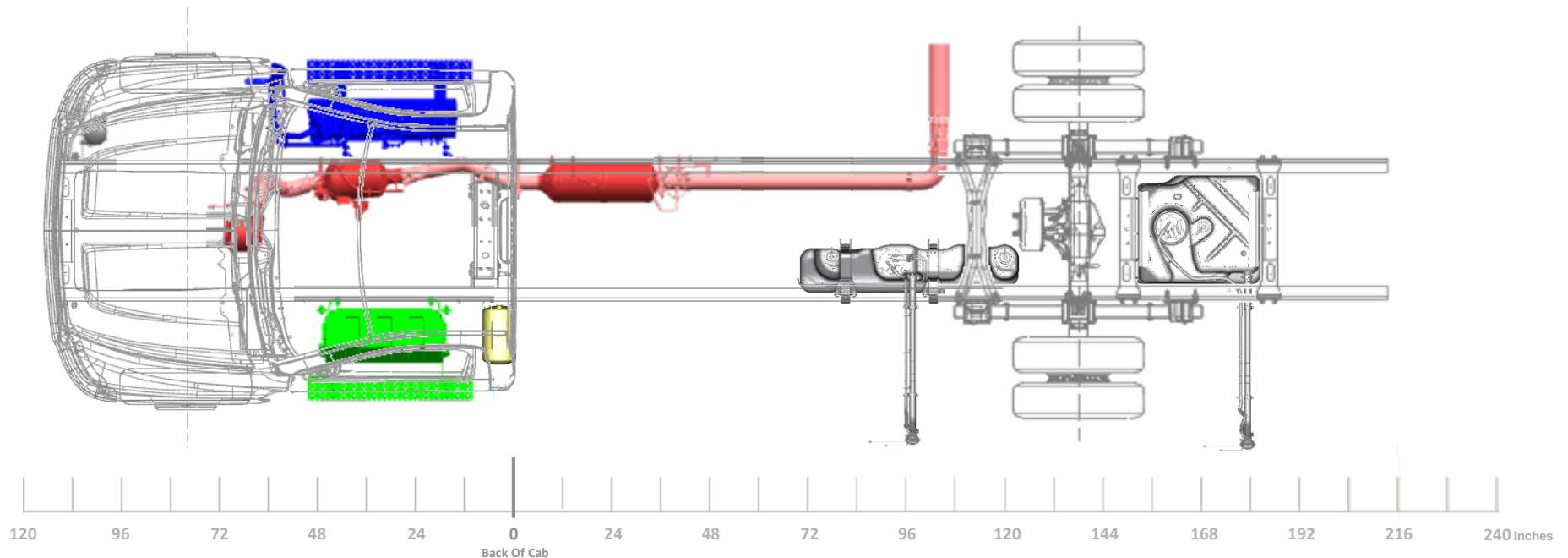
Silverado Medium Duty 4500HD/5500HD/6500HD

Model/Feature Information		General Configuration Information	Minimum Wheelbase
Model:	C56403 K56403	4X2 TRUCK CONFIGURATION IROS REAR SUSPENSION	219" WB (138" CA) 75" AF
Cab:	REGULAR CAB		
Aftertreatment:	HORIZONTAL	STRAIGHT TAILPIPE (RPO N12)	
Fuel Tank:	RPO NSQ DUAL 25G CA, 40G AF		
Battery Box:	RPO 7Y9 TEMP MTD, 3 BATT	OPTIONAL AIR DRYER FWD OUTSIDE RT (RPO KUT/JPY)	
Air Tanks:	(1) OUTSIDE LEFT		
DEF Tank:	6.75 GAL		
Engine:	6.6L GM DURAMAX		



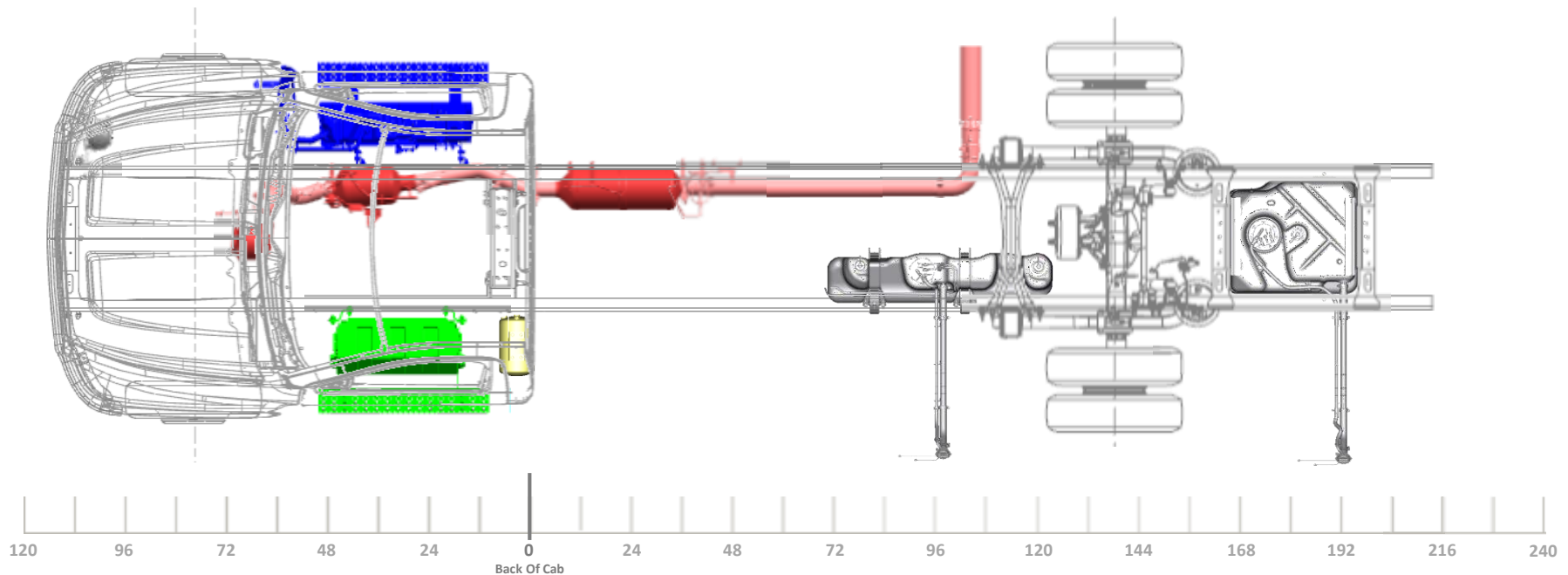
Silverado Medium Duty 4500HD/5500HD/6500HD

Model/Feature Information		General Configuration Information	Minimum Wheelbase
Model:	C56403 K56403	4X2 OR 4X4 TRUCK CONFIGURATION	219" WB (138" CA) 75" AF
Cab:	REGULAR CAB		
Aftertreatment:	HORIZONTAL	SIDE EXIT TAILPIPE AHEAD OF REAR WHEELS, RT SIDE (RPO NPK)	
Fuel Tank:	RPO NSQ DUAL 25G CA, 40G AF		
Battery Box:	RPO 7Y7/7Y8 28" STEEL, 2 BATTERIES	OPTIONAL AIR DRYER FWD OUTSIDE RT (RPO KUT/JPY)	
Air Tanks:	(1) OUTSIDE LEFT		
DEF Tank:	6.75 GAL		
Engine:	6.6L GM DURAMAX		



Silverado Medium Duty 4500HD/5500HD/6500HD

Model/Feature Information		General Configuration Information	Minimum Wheelbase
Model:	C56403 K56403	4X2 TRUCK CONFIGURATION IROS REAR SUSPENSION	219" WB (138" CA) 75" AF
Cab:	REGULAR CAB		
Aftertreatment:	HORIZONTAL	SIDE EXIT TAILPIPE AHEAD OF REAR WHEELS, RT SIDE (RPO NPK)	
Fuel Tank:	RPO NSQ DUAL 25G CA, 40G AF		
Battery Box:	RPO 7Y7/7Y8 28" STEEL, 2 BATTERIES	OPTIONAL AIR DRYER FWD OUTSIDE RT (RPO KUT/JPY)	
Air Tanks:	(1) OUTSIDE LEFT		
DEF Tank:	6.75 GAL		
Engine:	6.6L GM DURAMAX		

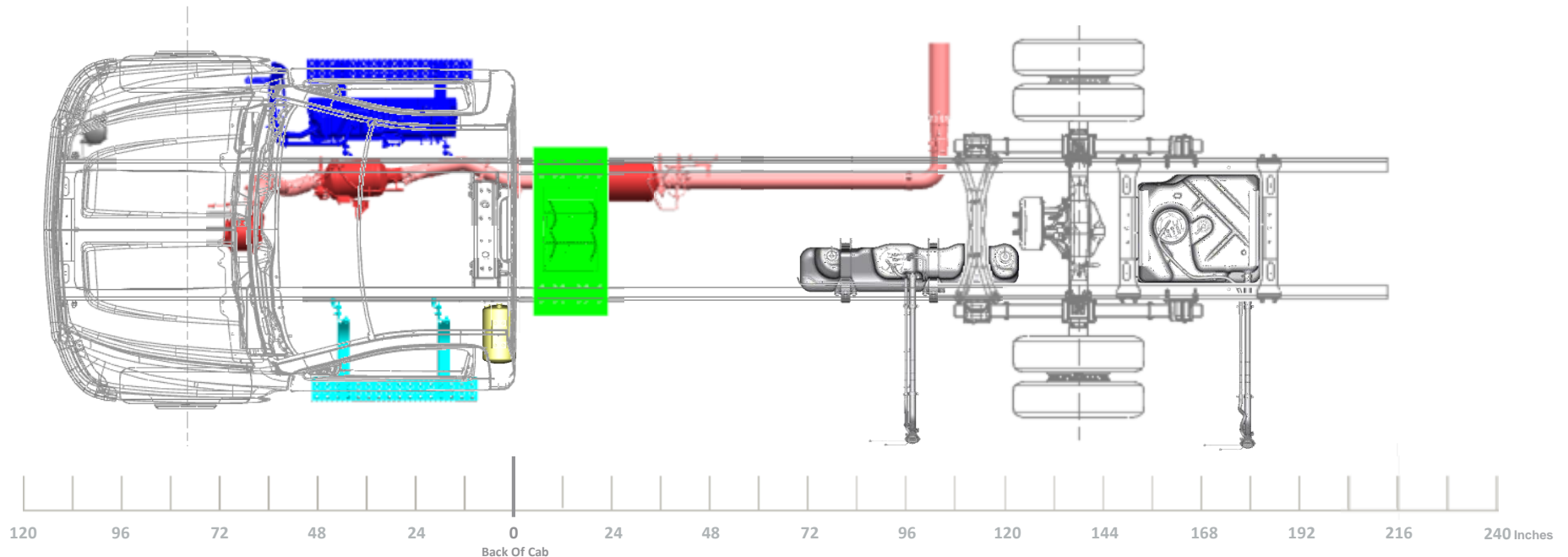


Silverado Medium Duty 4500HD/5500HD/6500HD

Model/Feature Information	
Model:	C56403 K56403
Cab:	REGULAR CAB
Aftertreatment:	HORIZONTAL
Fuel Tank:	RPO NSQ DUAL 25G CA, 40G AF
Battery Box:	RPO 7Y9 TEMP MTD, 3 BATT
Air Tanks:	(1) OUTSIDE LEFT
DEF Tank:	6.75 GAL
Engine:	6.6L GM DURAMAX

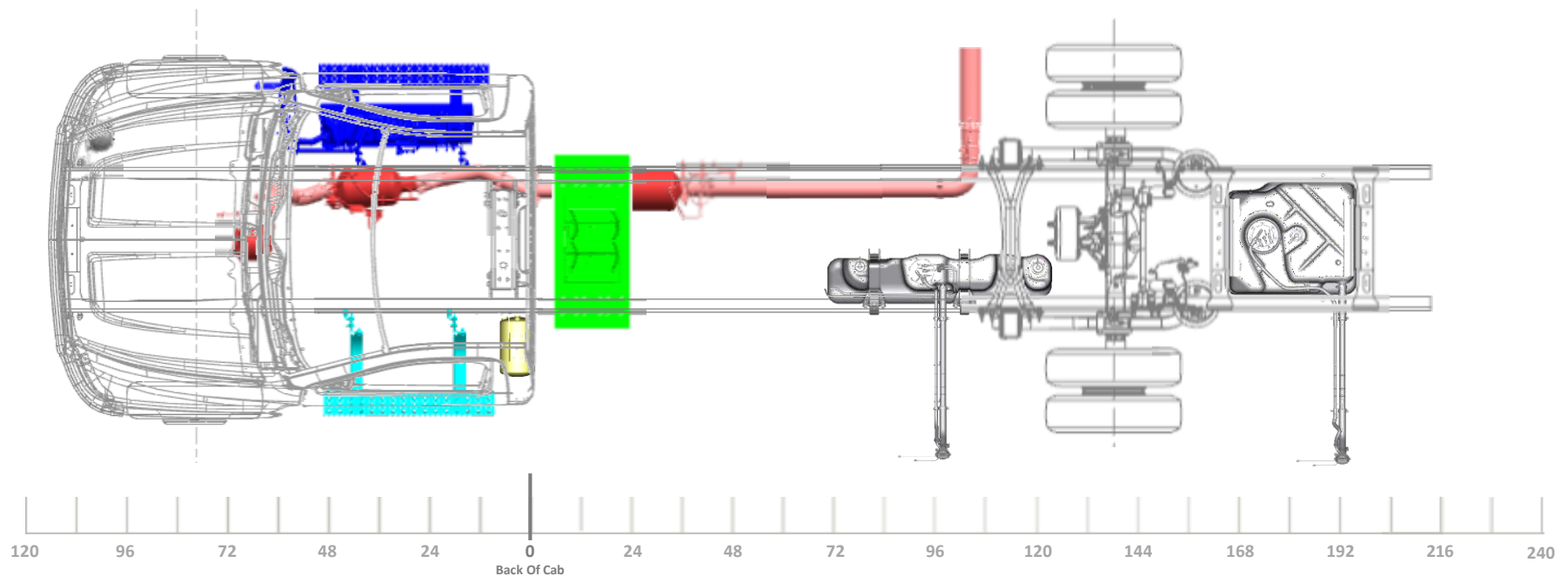
General Configuration Information
4X2 OR 4X4 TRUCK CONFIGURATION
SIDE EXIT TAILPIPE AHEAD OF REAR WHEELS, RT SIDE (RPO NPK)
OPTIONAL AIR DRYER FWD OUTSIDE RT (RPO KUT/JPY)

Minimum Wheelbase
219" WB (138" CA) 75" AF



Silverado Medium Duty 4500HD/5500HD/6500HD

Model/Feature Information		General Configuration Information	Minimum Wheelbase
Model:	C56403 K56403	4X2 TRUCK CONFIGURATION IROS REAR SUSPENSION	219" WB (138" CA) 75" AF
Cab:	REGULAR CAB		
Aftertreatment:	HORIZONTAL	SIDE EXIT TAILPIPE AHEAD OF REAR WHEELS, RT SIDE (RPO NPK)	
Fuel Tank:	RPO NSQ DUAL 25G CA, 40G AF		
Battery Box:	RPO 7Y9 TEMP MTD, 3 BATT	OPTIONAL AIR DRYER FWD OUTSIDE RT (RPO KUT/JPY)	
Air Tanks:	(1) OUTSIDE LEFT		
DEF Tank:	6.75 GAL		
Engine:	6.6L GM DURAMAX		



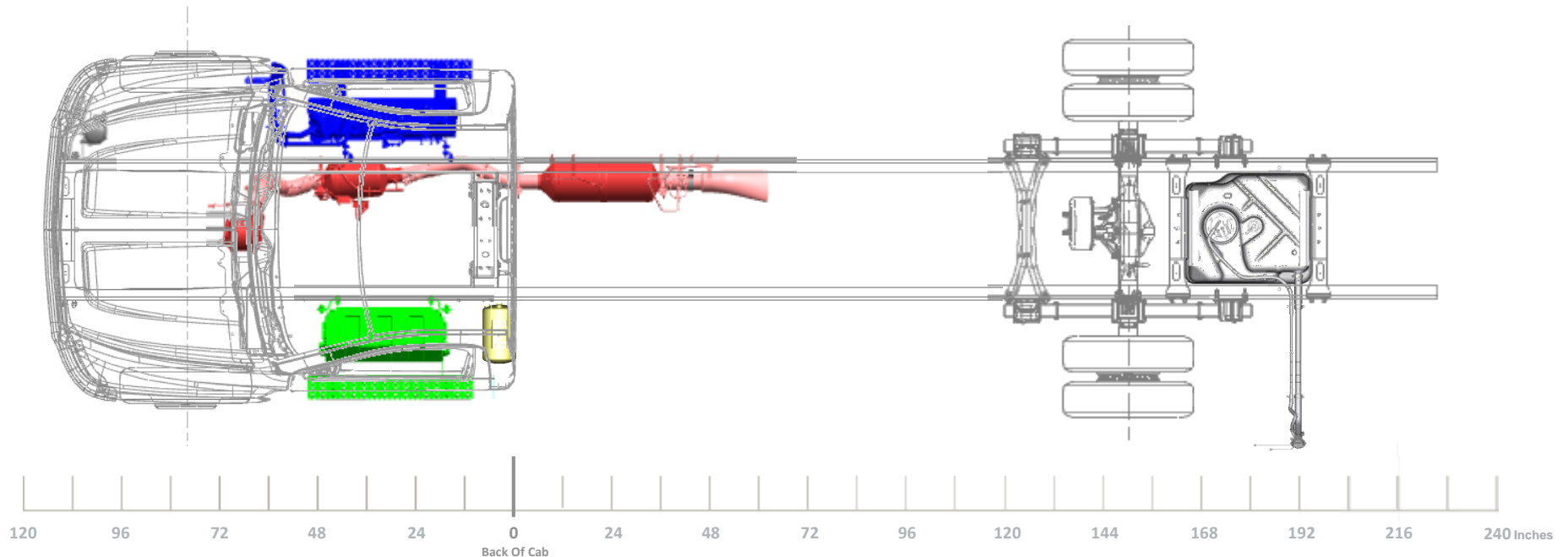
Regular Cab – 231” WB

Silverado Medium Duty 4500HD/5500HD/6500HD

Model/Feature Information	
Model:	C56403 K56403
Cab:	REGULAR CAB
Aftertreatment:	HORIZONTAL
Fuel Tank:	RPO N2L 40 GAL, AF MTD
Battery Box:	RPO 7Y7/7Y8 28" STEEL, 2 BATTERIES
Air Tanks:	(1) OUTSIDE LEFT
DEF Tank:	6.75 GAL
Engine:	6.6L GM DURAMAX

General Configuration Information
4X2 OR 4X4 TRUCK CONFIGURATION
STRAIGHT TAILPIPE (RPO N12)
OPTIONAL AIR DRYER FWD OUTSIDE RT (RPO KUT/JPY)

Minimum Wheelbase
231" WB (150" CA) 91" AF

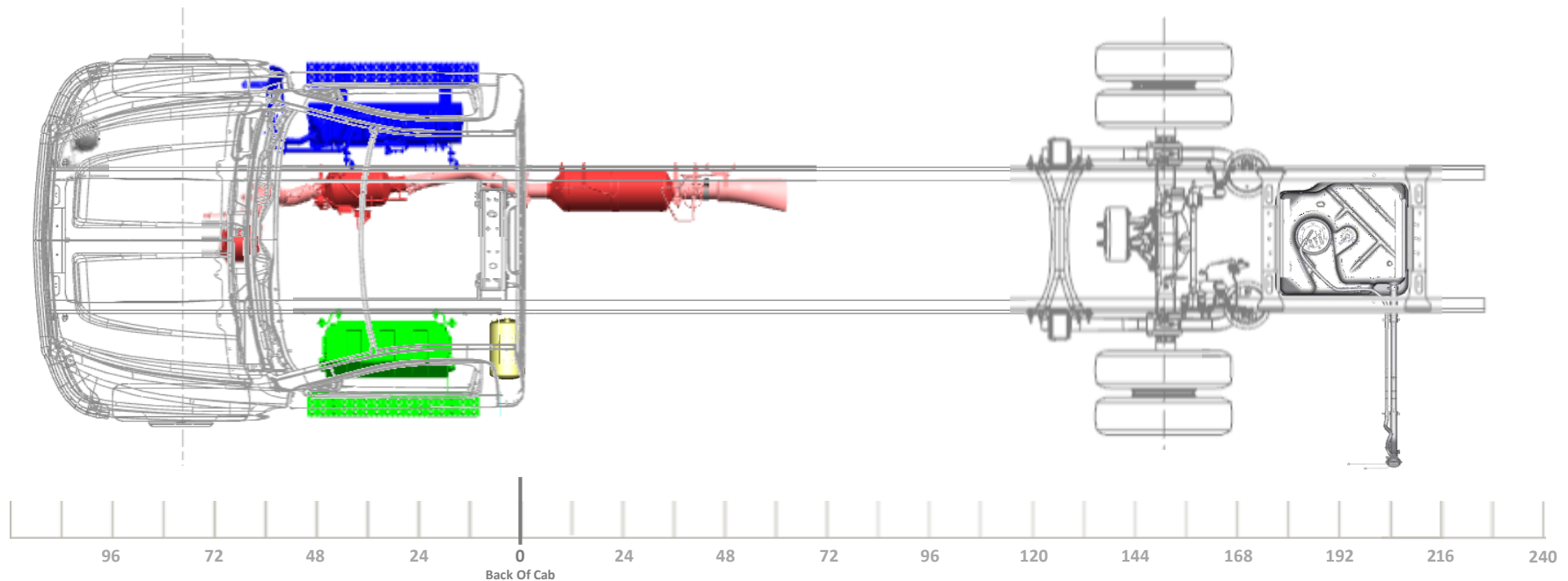


Silverado Medium Duty 4500HD/5500HD/6500HD

Model/Feature Information	
Model:	C56403 K56403
Cab:	REGULAR CAB
Aftertreatment:	HORIZONTAL
Fuel Tank:	RPO N2L 40 GAL, AF MTD
Battery Box:	RPO 7Y7/7Y8 28" STEEL, 2 BATTERIES
Air Tanks:	(1) OUTSIDE LEFT
DEF Tank:	6.75 GAL
Engine:	6.6L GM DURAMAX

General Configuration Information
4X2 TRUCK CONFIGURATION IROS REAR SUSPENSION
STRAIGHT TAILPIPE (RPO N12)
OPTIONAL AIR DRYER FWD OUTSIDE RT (RPO KUT/JPY)

Minimum Wheelbase
231" WB (150" CA) 91" AF

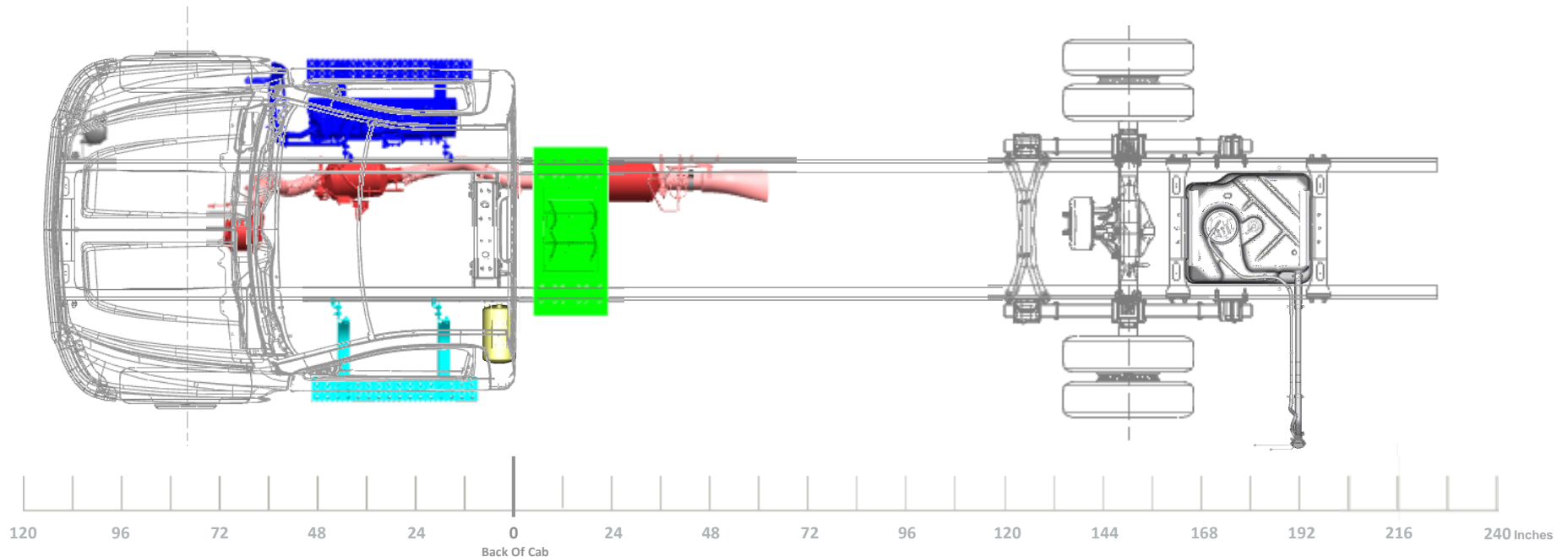


Silverado Medium Duty 4500HD/5500HD/6500HD

Model/Feature Information	
Model:	C56403 K56403
Cab:	REGULAR CAB
Aftertreatment:	HORIZONTAL
Fuel Tank:	RPO N2L 40 GAL, AF MTD
Battery Box:	RPO 7Y9 TEMP MTD, 3 BATT
Air Tanks:	(1) OUTSIDE LEFT
DEF Tank:	6.75 GAL
Engine:	6.6L GM DURAMAX

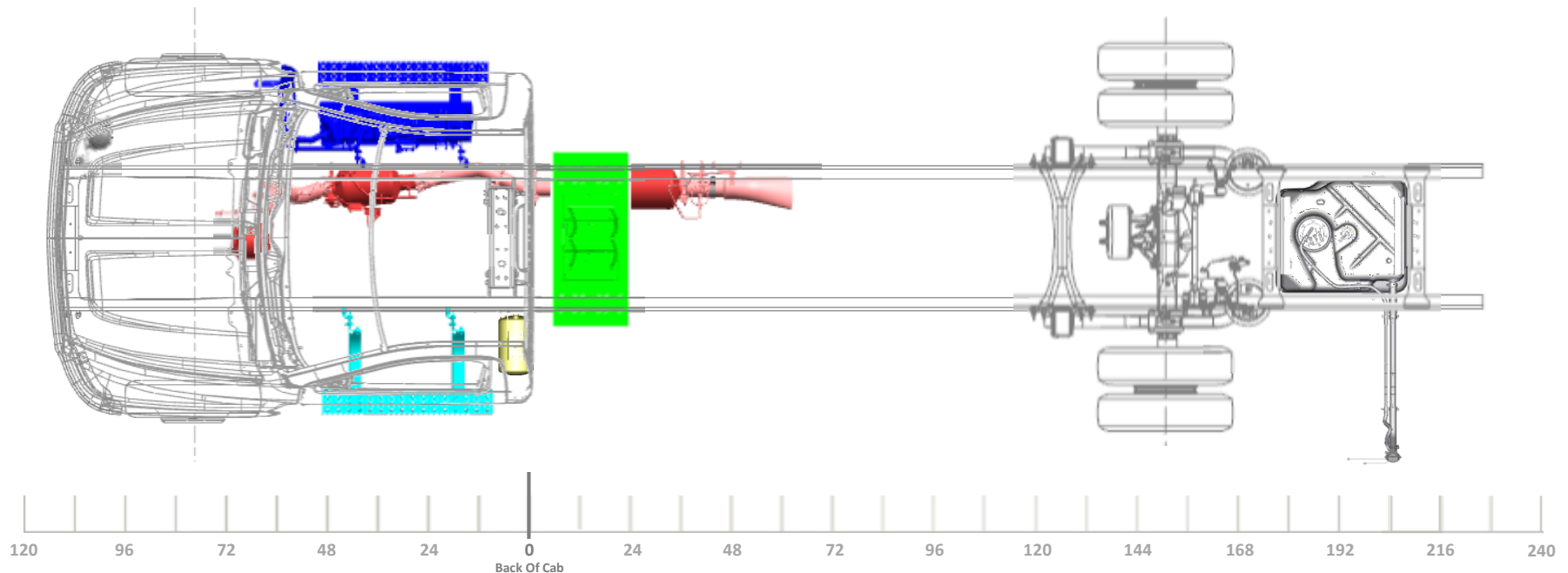
General Configuration Information
4X2 OR 4X4 TRUCK CONFIGURATION
STRAIGHT TAILPIPE (RPO N12)
OPTIONAL AIR DRYER FWD OUTSIDE RT (RPO KUT/JPY)

Minimum Wheelbase
231" WB (150" CA) 91" AF



Silverado Medium Duty 4500HD/5500HD/6500HD

Model/Feature Information		General Configuration Information	Minimum Wheelbase
Model:	C56403 K56403	4X2 TRUCK CONFIGURATION IROS REAR SUSPENSION	231" WB (150" CA) 91" AF
Cab:	REGULAR CAB		
Aftertreatment:	HORIZONTAL	STRAIGHT TAILPIPE (RPO N12)	
Fuel Tank:	RPO N2L 40 GAL, AF MTD		
Battery Box:	RPO 7Y9 TEMP MTD, 3 BATT	OPTIONAL AIR DRYER FWD OUTSIDE RT (RPO KUT/JPY)	
Air Tanks:	(1) OUTSIDE LEFT		
DEF Tank:	6.75 GAL		
Engine:	6.6L GM DURAMAX		

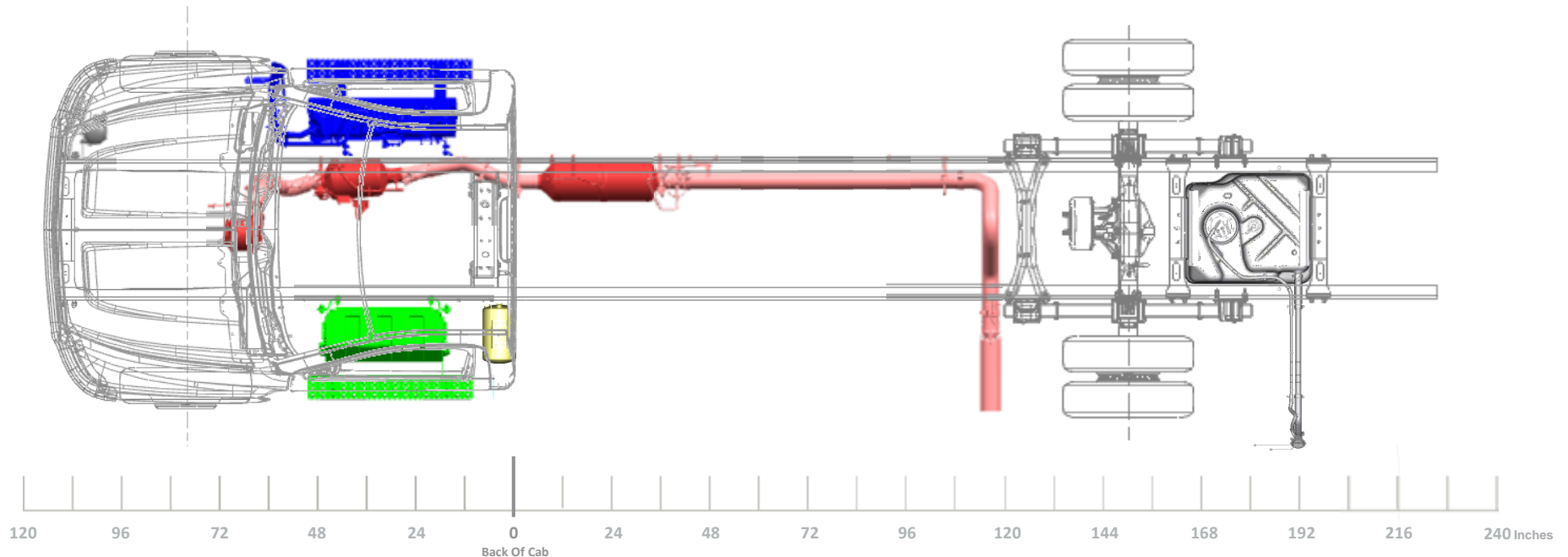


Silverado Medium Duty 4500HD/5500HD/6500HD

Model/Feature Information	
Model:	C56403 K56403
Cab:	REGULAR CAB
Aftertreatment:	HORIZONTAL
Fuel Tank:	RPO N2L 40 GAL, AF MTD
Battery Box:	RPO 7Y7/7Y8 28" STEEL, 2 BATTERIES
Air Tanks:	(1) OUTSIDE LEFT
DEF Tank:	6.75 GAL
Engine:	6.6L GM DURAMAX

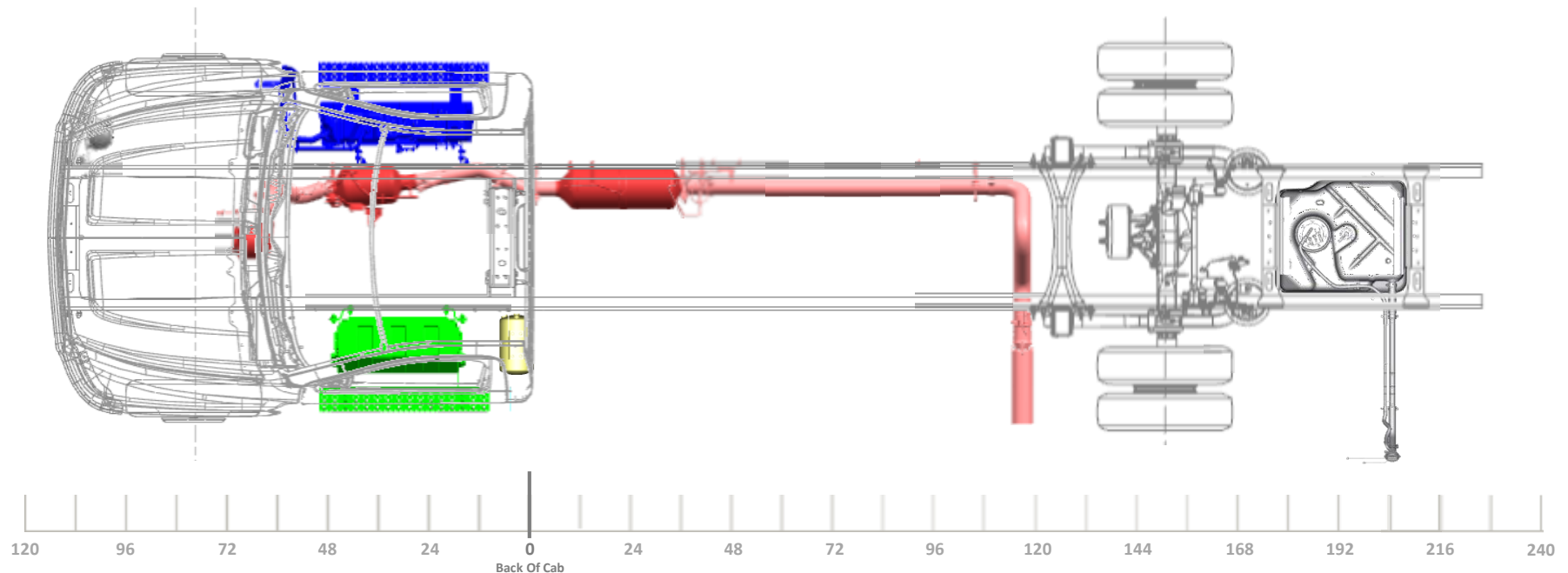
General Configuration Information
4X2 OR 4X4 TRUCK CONFIGURATION
SIDE EXIT TAILPIPE AHEAD OF REAR WHEELS, LT SIDE (RPO NPJ)
OPTIONAL AIR DRYER FWD OUTSIDE RT (RPO KUT/JPY)

Minimum Wheelbase
231" WB (150" CA) 91" AF



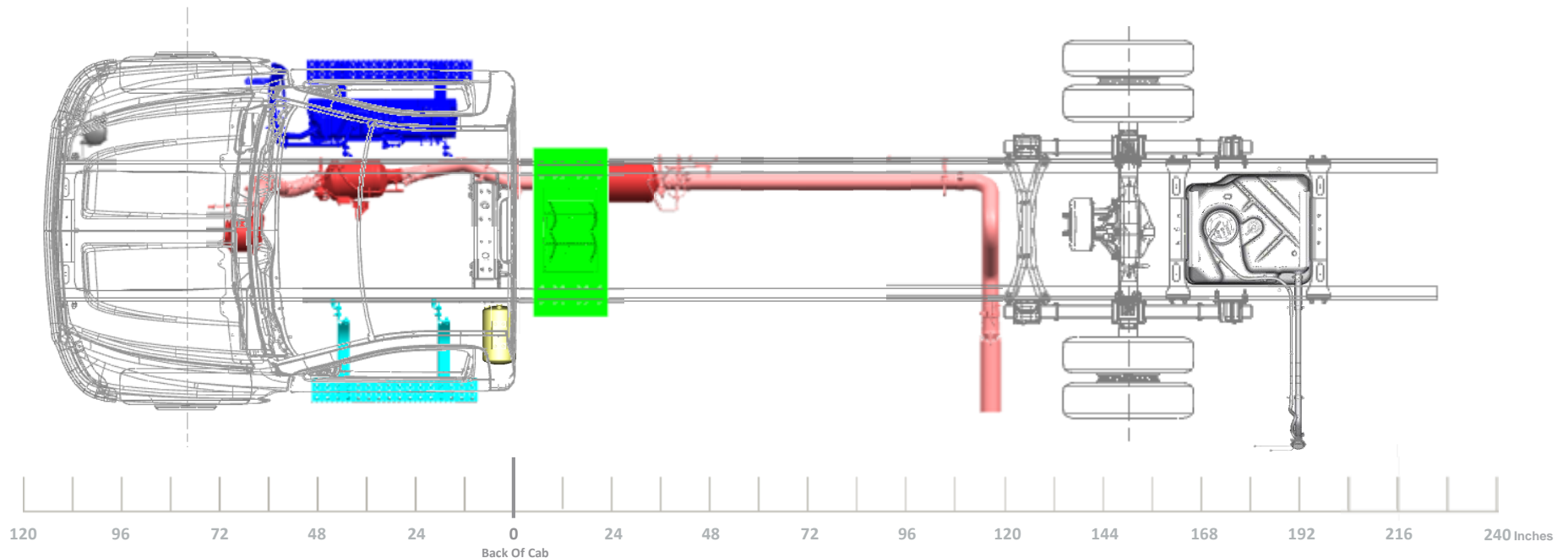
Silverado Medium Duty 4500HD/5500HD/6500HD

Model/Feature Information		General Configuration Information	Minimum Wheelbase
Model:	C56403 K56403	4X2 TRUCK CONFIGURATION IROS REAR SUSPENSION	231" WB (150" CA) 91" AF
Cab:	REGULAR CAB		
Aftertreatment:	HORIZONTAL	SIDE EXIT TAILPIPE AHEAD OF REAR WHEELS, LT SIDE (RPO NPJ)	
Fuel Tank:	RPO N2L 40 GAL, AF MTD		
Battery Box:	RPO 7Y7/7Y8 28" STEEL, 2 BATTERIES	OPTIONAL AIR DRYER FWD OUTSIDE RT (RPO KUT/JPY)	
Air Tanks:	(1) OUTSIDE LEFT		
DEF Tank:	6.75 GAL		
Engine:	6.6L GM DURAMAX		



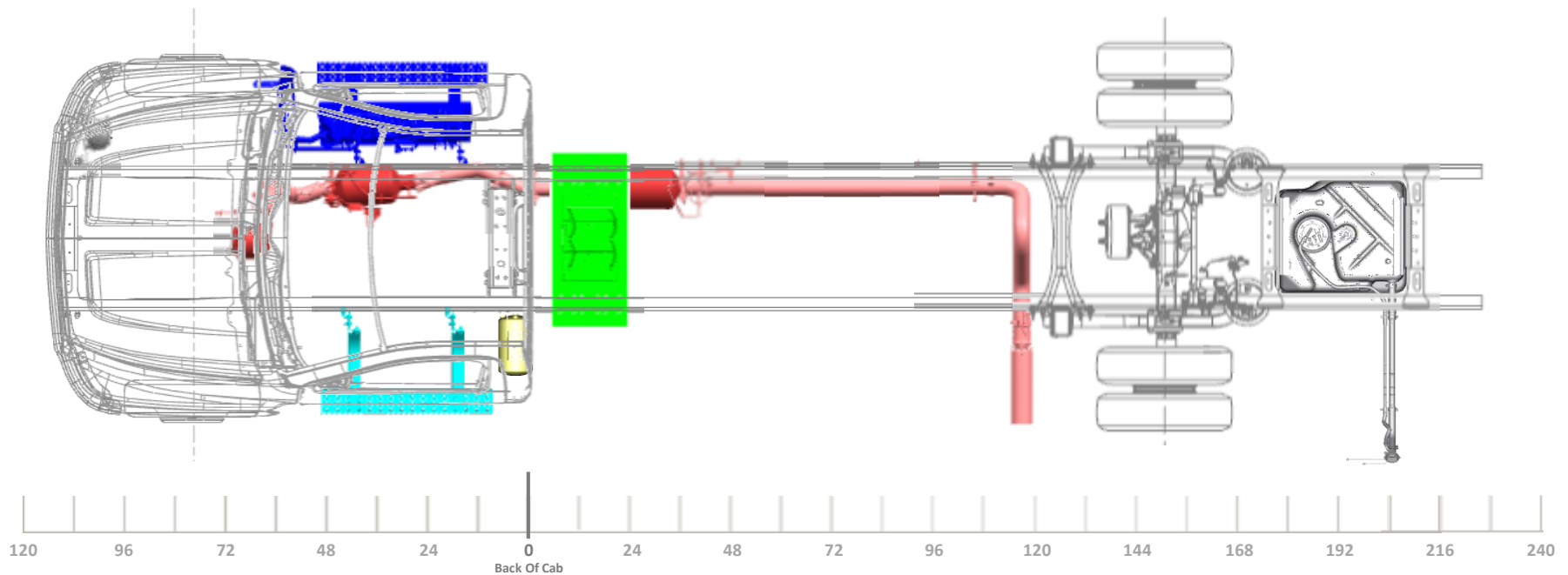
Silverado Medium Duty 4500HD/5500HD/6500HD

Model/Feature Information		General Configuration Information	Minimum Wheelbase
Model:	C56403 K56403	4X2 OR 4X4 TRUCK CONFIGURATION	231" WB (150" CA) 91" AF
Cab:	REGULAR CAB		
Aftertreatment:	HORIZONTAL	SIDE EXIT TAILPIPE AHEAD OF REAR WHEELS, LT SIDE (RPO NPJ)	
Fuel Tank:	RPO N2L 40 GAL, AF MTD		
Battery Box:	RPO 7Y9 TEMP MTD, 3 BATT	OPTIONAL AIR DRYER FWD OUTSIDE RT (RPO KUT/JPY)	
Air Tanks:	(1) OUTSIDE LEFT		
DEF Tank:	6.75 GAL		
Engine:	6.6L GM DURAMAX		



Silverado Medium Duty 4500HD/5500HD/6500HD

Model/Feature Information		General Configuration Information	Minimum Wheelbase
Model:	C56403 K56403	4X2 TRUCK CONFIGURATION IROS REAR SUSPENSION	231" WB (150" CA) 91" AF
Cab:	REGULAR CAB		
Aftertreatment:	HORIZONTAL	SIDE EXIT TAILPIPE AHEAD OF REAR WHEELS, LT SIDE (RPO NPJ)	
Fuel Tank:	RPO N2L 40 GAL, AF MTD		
Battery Box:	RPO 7Y9 TEMP MTD, 3 BATT	OPTIONAL AIR DRYER FWD OUTSIDE RT (RPO KUT/JPY)	
Air Tanks:	(1) OUTSIDE LEFT		
DEF Tank:	6.75 GAL		
Engine:	6.6L GM DURAMAX		

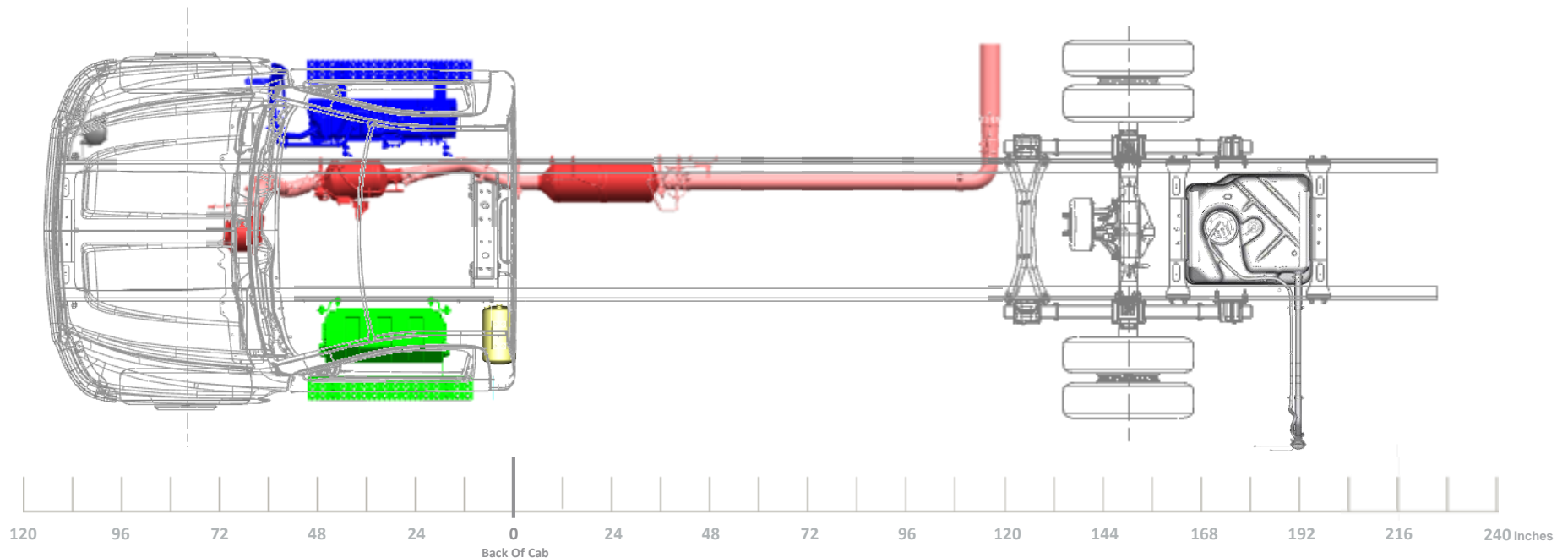


Silverado Medium Duty 4500HD/5500HD/6500HD

Model/Feature Information	
Model:	C56403 K56403
Cab:	REGULAR CAB
Aftertreatment:	HORIZONTAL
Fuel Tank:	RPO N2L 40 GAL, AF MTD
Battery Box:	RPO 7Y7/7Y8 28" STEEL, 2 BATTERIES
Air Tanks:	(1) OUTSIDE LEFT
DEF Tank:	6.75 GAL
Engine:	6.6L GM DURAMAX

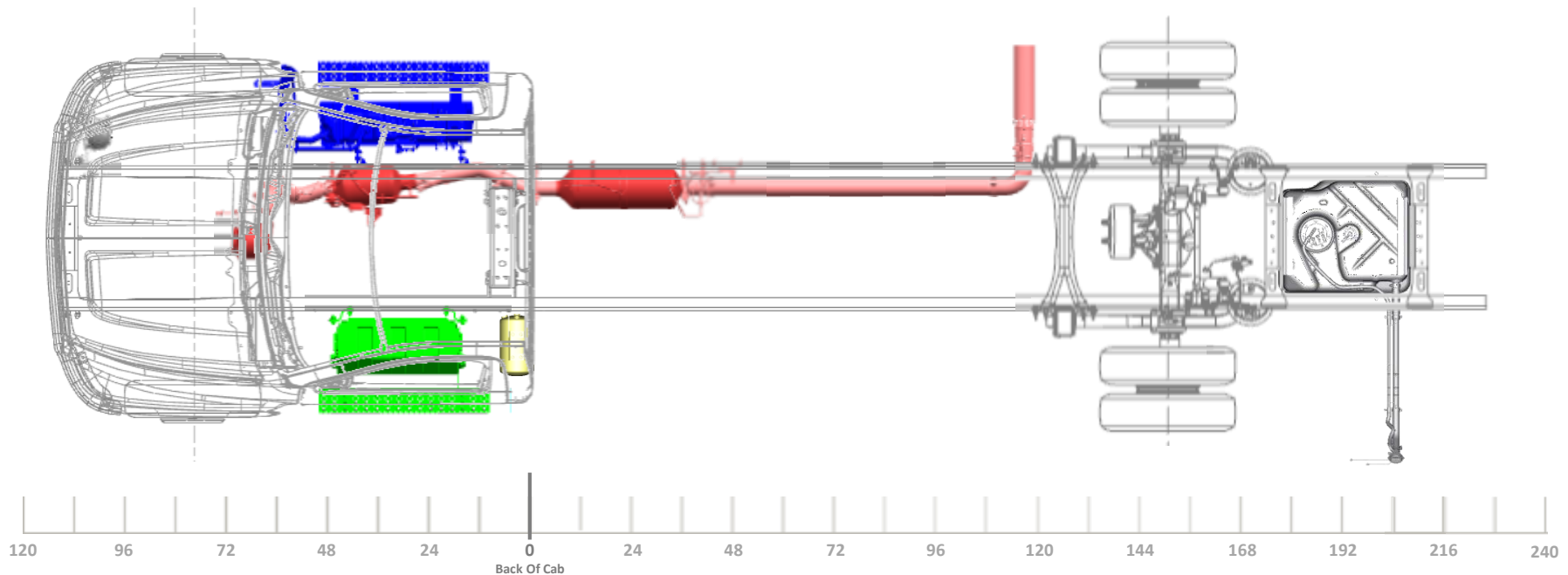
General Configuration Information
4X2 OR 4X4 TRUCK CONFIGURATION
SIDE EXIT TAILPIPE AHEAD OF REAR WHEELS, RT SIDE (RPO NPK)
OPTIONAL AIR DRYER FWD OUTSIDE RT (RPO KUT/JPY)

Minimum Wheelbase
231" WB (150" CA) 91" AF



2020 Silverado Medium Duty 4500HD/5500HD/6500HD

Model/Feature Information		General Configuration Information	Minimum Wheelbase
Model:	C56403 K56403	4X2 TRUCK CONFIGURATION IROS REAR SUSPENSION	231" WB (150" CA) 91" AF
Cab:	REGULAR CAB		
Aftertreatment:	HORIZONTAL	SIDE EXIT TAILPIPE AHEAD OF REAR WHEELS, RT SIDE (RPO NPK)	
Fuel Tank:	RPO N2L 40 GAL, AF MTD		
Battery Box:	RPO 7Y7/7Y8 28" STEEL, 2 BATTERIES	OPTIONAL AIR DRYER FWD OUTSIDE RT (RPO KUT/JPY)	
Air Tanks:	(1) OUTSIDE LEFT		
DEF Tank:	6.75 GAL		
Engine:	6.6L GM DURAMAX		

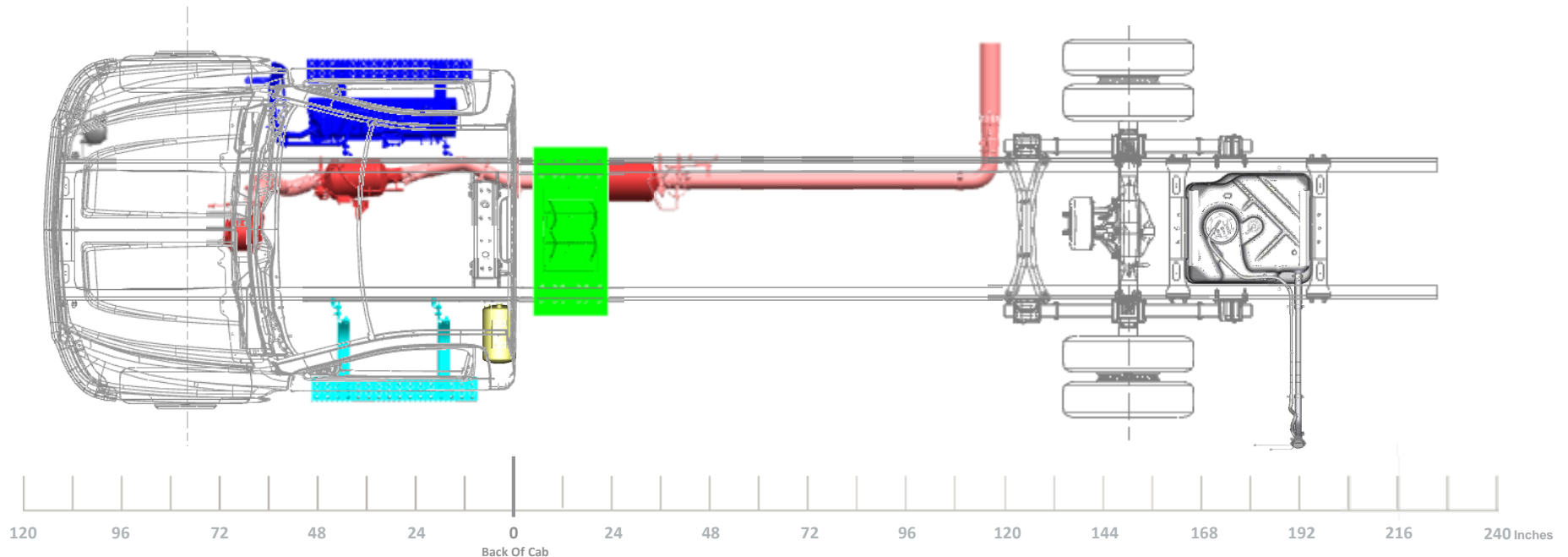


Silverado Medium Duty 4500HD/5500HD/6500HD

Model/Feature Information	
Model:	C56403 K56403
Cab:	REGULAR CAB
Aftertreatment:	HORIZONTAL
Fuel Tank:	RPO N2L 40 GAL, AF MTD
Battery Box:	RPO 7Y9 TEMP MTD, 3 BATT
Air Tanks:	(1) OUTSIDE LEFT
DEF Tank:	6.75 GAL
Engine:	6.6L GM DURAMAX

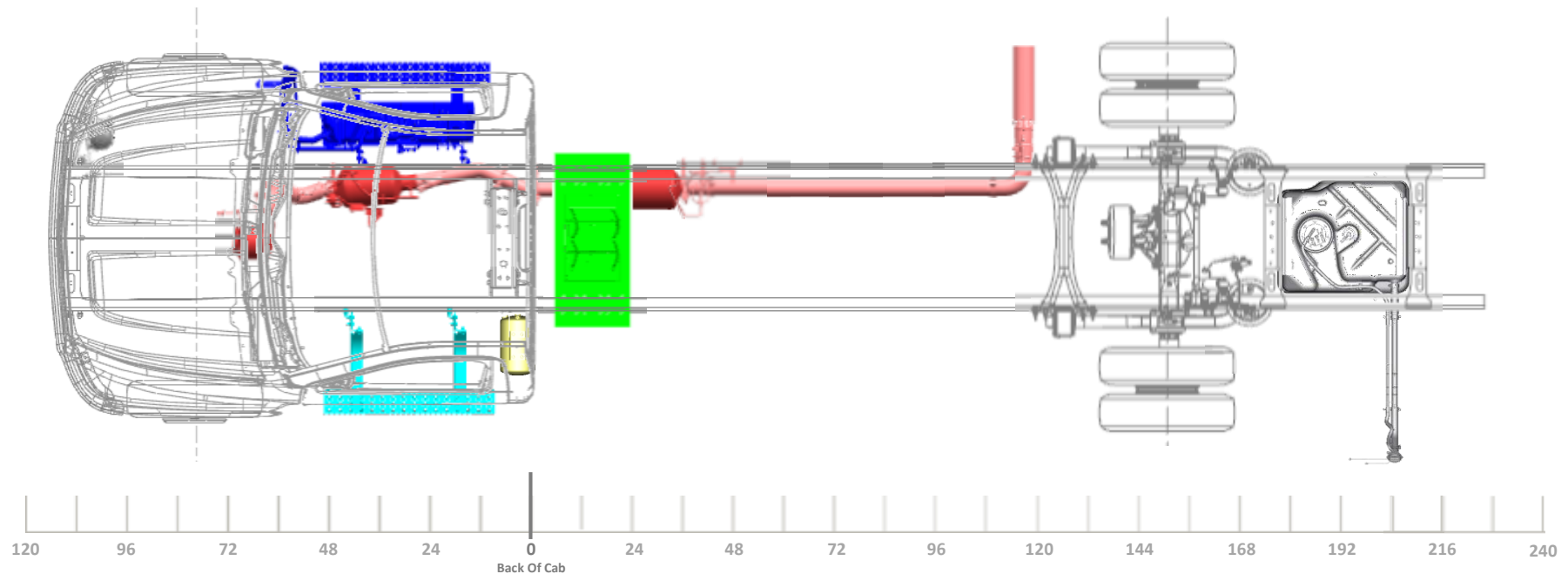
General Configuration Information
4X2 OR 4X4 TRUCK CONFIGURATION
SIDE EXIT TAILPIPE AHEAD OF REAR WHEELS, RT SIDE (RPO NPK)
OPTIONAL AIR DRYER FWD OUTSIDE RT (RPO KUT/JPY)

Minimum Wheelbase
231" WB (150" CA) 91" AF



Silverado Medium Duty 4500HD/5500HD/6500HD

Model/Feature Information		General Configuration Information	Minimum Wheelbase
Model:	C56403 K56403	4X2 OR 4X4 TRUCK CONFIGURATION VARI-RATE REAR SUSPENSION	231" WB (150" CA) 91" AF
Cab:	REGULAR CAB		
Aftertreatment:	HORIZONTAL	SIDE EXIT TAILPIPE AHEAD OF REAR WHEELS, RT SIDE (RPO NPK)	
Fuel Tank:	RPO N2L 40 GAL, AF MTD		
Battery Box:	RPO 7Y9 TEMP MTD, 3 BATT	OPTIONAL AIR DRYER FWD OUTSIDE RT (RPO KUT/JPY)	
Air Tanks:	(1) OUTSIDE LEFT		
DEF Tank:	6.75 GAL		
Engine:	6.6L GM DURAMAX		

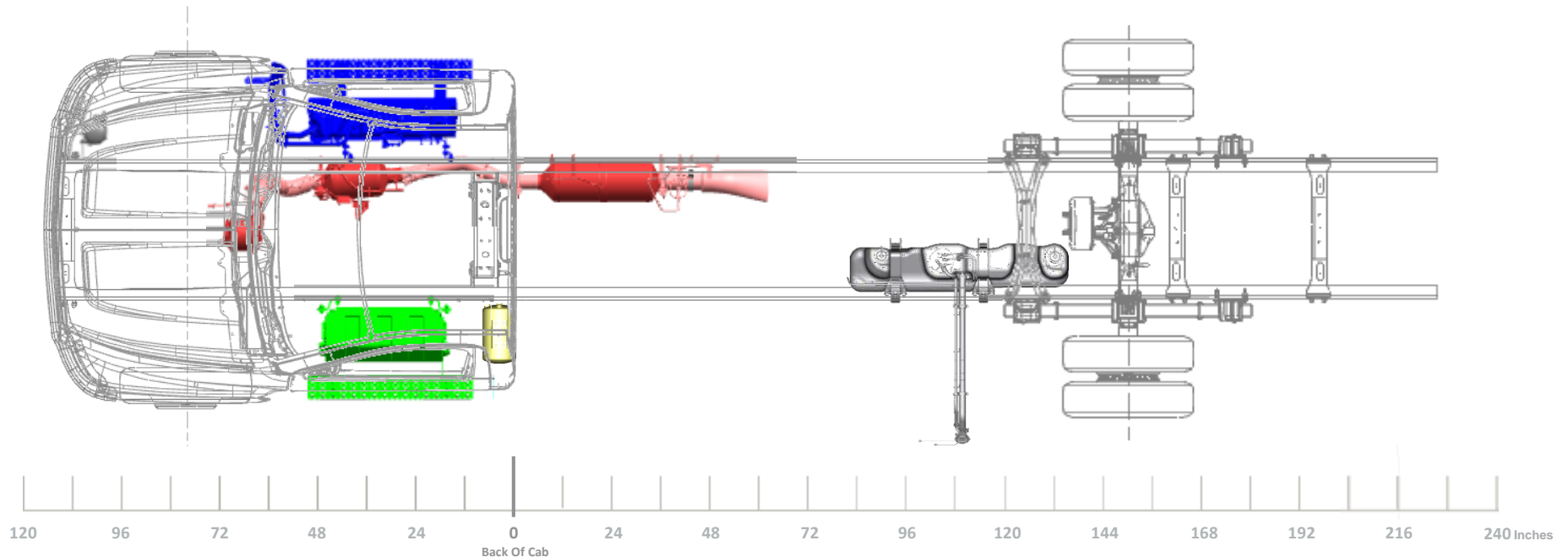


Silverado Medium Duty 4500HD/5500HD/6500HD

Model/Feature Information	
Model:	C56403 K56403
Cab:	REGULAR CAB
Aftertreatment:	HORIZONTAL
Fuel Tank:	RPO NVK 25 GAL, CA MTD
Battery Box:	RPO 7Y7/7Y8 28" STEEL, 2 BATTERIES
Air Tanks:	(1) OUTSIDE LEFT
DEF Tank:	6.75 GAL
Engine:	6.6L GM DURAMAX

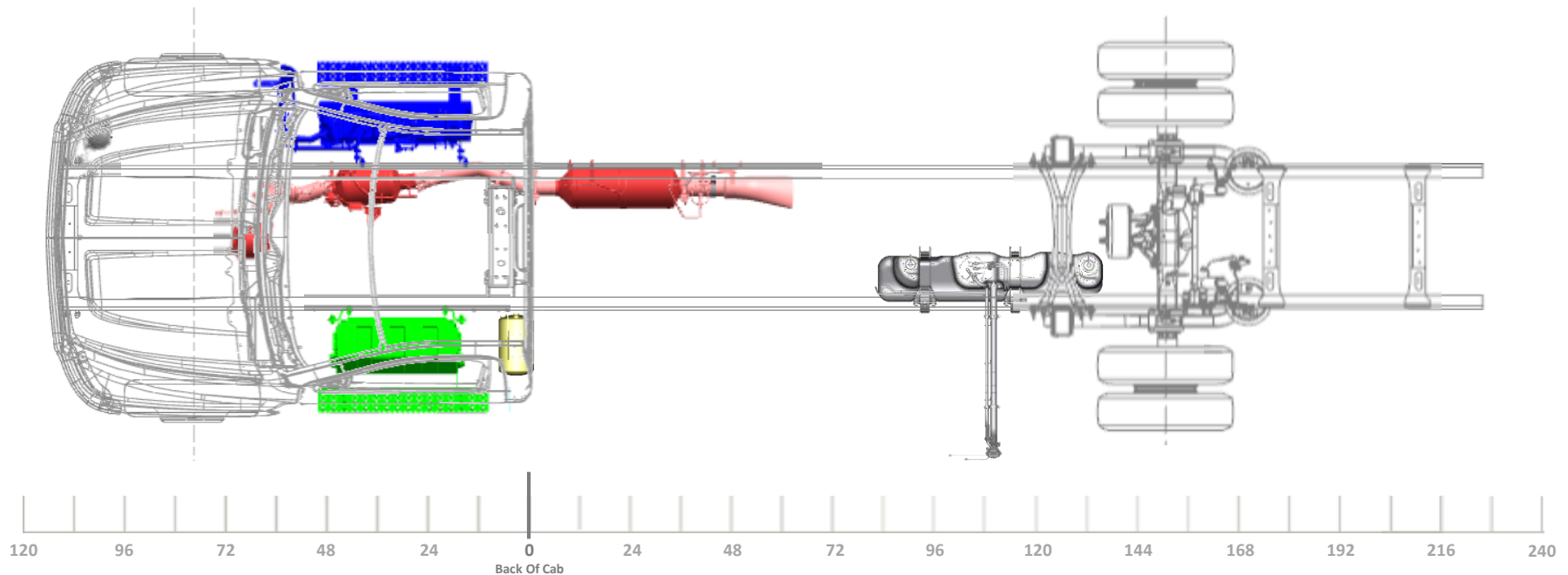
General Configuration Information
4X2 OR 4X4 TRUCK CONFIGURATION
STRAIGHT TAILPIPE (RPO N12)
OPTIONAL AIR DRYER FWD OUTSIDE RT (RPO KUT/JPY)

Minimum Wheelbase
231" WB (150" CA) 91" AF



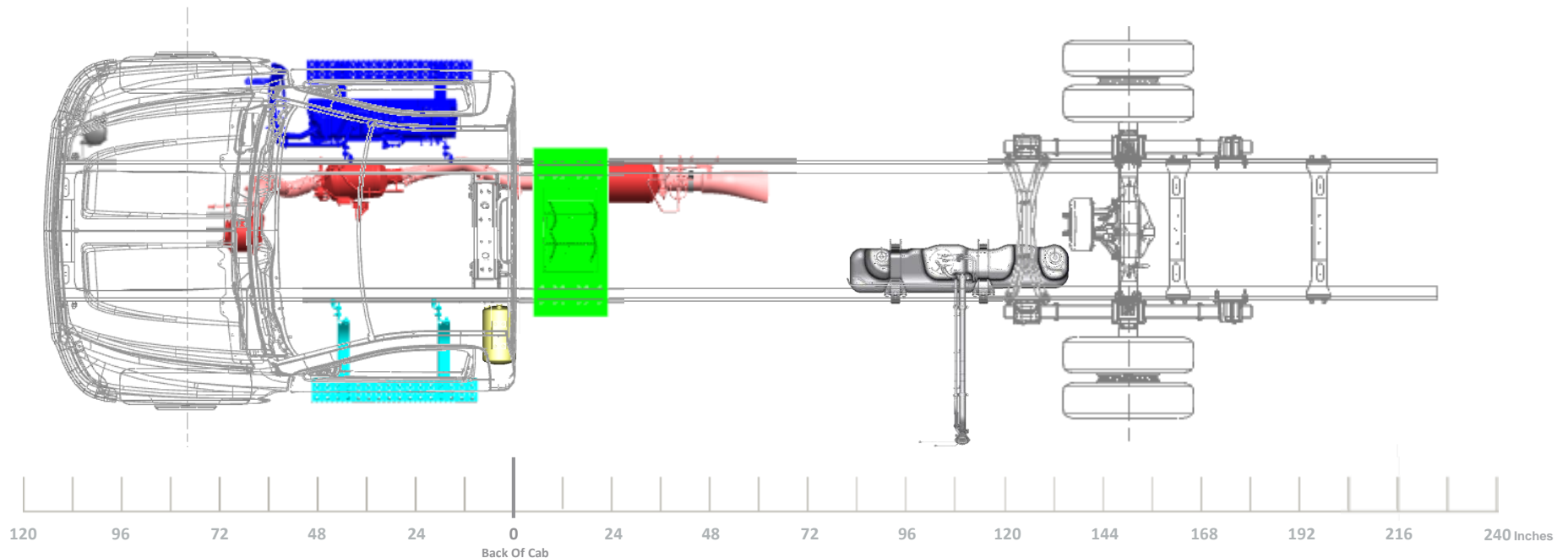
Silverado Medium Duty 4500HD/5500HD/6500HD

Model/Feature Information		General Configuration Information	Minimum Wheelbase
Model:	C56403 K56403	4X2 TRUCK CONFIGURATION IROS REAR SUSPENSION	231" WB (150" CA) 91" AF
Cab:	REGULAR CAB		
Aftertreatment:	HORIZONTAL	STRAIGHT TAILPIPE (RPO N12)	
Fuel Tank:	RPO NVK 25 GAL, CA MTD		
Battery Box:	RPO 7Y7/7Y8 28" STEEL, 2 BATTERIES	OPTIONAL AIR DRYER FWD OUTSIDE RT (RPO KUT/JPY)	
Air Tanks:	(1) OUTSIDE LEFT		
DEF Tank:	6.75 GAL		
Engine:	6.6L GM DURAMAX		



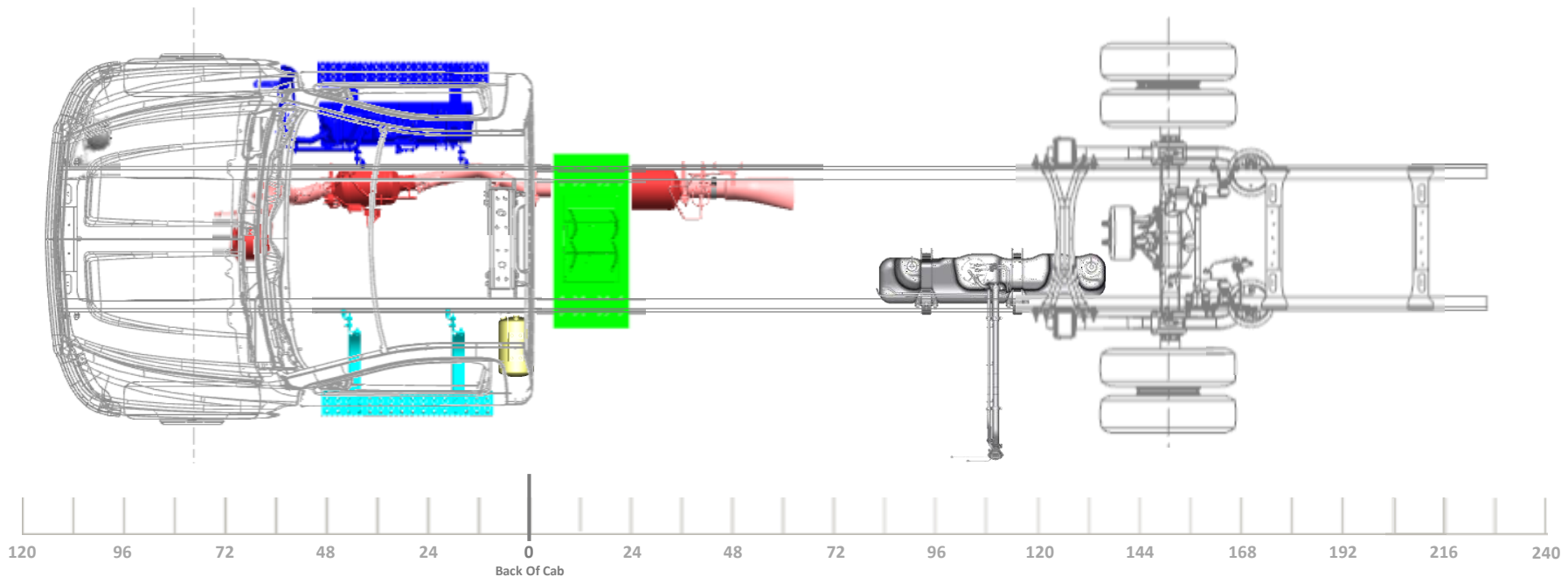
Silverado Medium Duty 4500HD/5500HD/6500HD

Model/Feature Information		General Configuration Information	Minimum Wheelbase
Model:	C56403 K56403	4X2 OR 4X4 TRUCK CONFIGURATION	231" WB (150" CA) 91" AF
Cab:	REGULAR CAB		
Aftertreatment:	HORIZONTAL	STRAIGHT TAILPIPE (RPO N12)	
Fuel Tank:	RPO NVK 25 GAL, CA MTD		
Battery Box:	RPO 7Y9 TEMP MTD, 3 BATT	OPTIONAL AIR DRYER FWD OUTSIDE RT (RPO KUT/JPY)	
Air Tanks:	(1) OUTSIDE LEFT		
DEF Tank:	6.75 GAL		
Engine:	6.6L GM DURAMAX		



Silverado Medium Duty 4500HD/5500HD/6500HD

Model/Feature Information		General Configuration Information	Minimum Wheelbase
Model:	C56403 K56403	4X2 TRUCK CONFIGURATION IROS REAR SUSPENSION	231" WB (150" CA) 91" AF
Cab:	REGULAR CAB		
Aftertreatment:	HORIZONTAL	STRAIGHT TAILPIPE (RPO N12)	
Fuel Tank:	RPO NVK 25 GAL, CA MTD		
Battery Box:	RPO 7Y9 TEMP MTD, 3 BATT	OPTIONAL AIR DRYER FWD OUTSIDE RT (RPO KUT/JPY)	
Air Tanks:	(1) OUTSIDE LEFT		
DEF Tank:	6.75 GAL		
Engine:	6.6L GM DURAMAX		

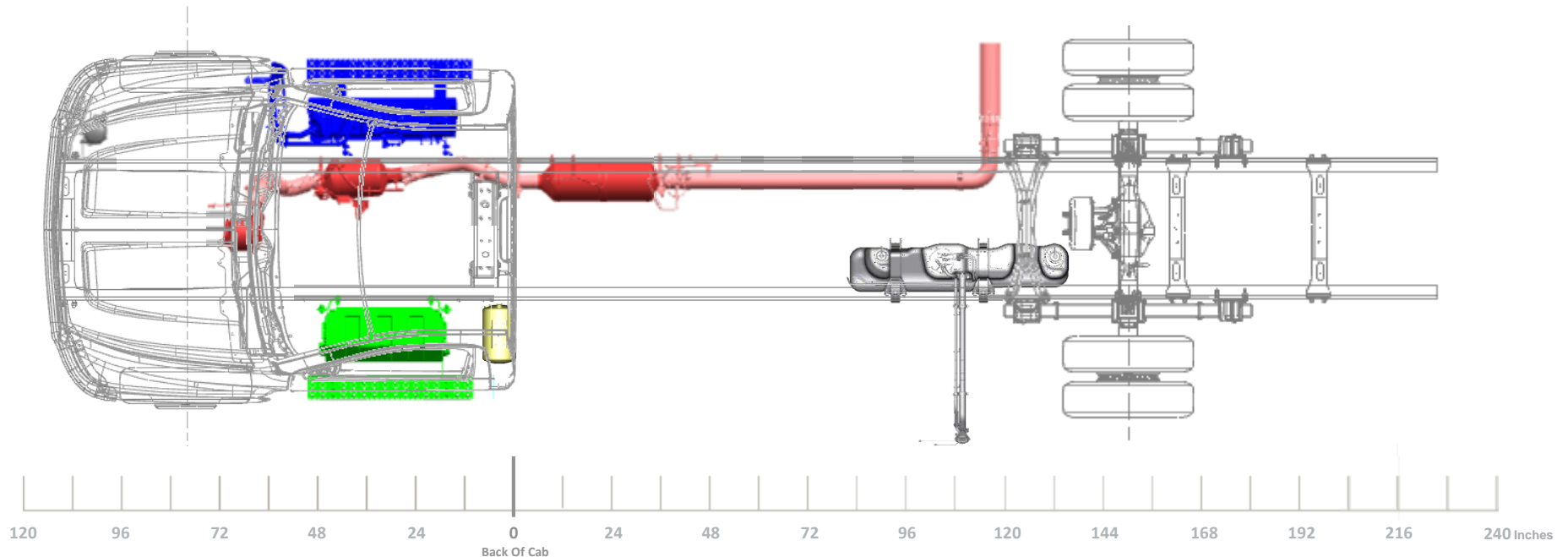


Silverado Medium Duty 4500HD/5500HD/6500HD

Model/Feature Information	
Model:	C56403 K56403
Cab:	REGULAR CAB
Aftertreatment:	HORIZONTAL
Fuel Tank:	RPO NVK 25 GAL, CA MTD
Battery Box:	RPO 7Y7/7Y8 28" STEEL, 2 BATTERIES
Air Tanks:	(1) OUTSIDE LEFT
DEF Tank:	6.75 GAL
Engine:	6.6L GM DURAMAX

General Configuration Information
4X2 OR 4X4 TRUCK CONFIGURATION
SIDE EXIT TAILPIPE AHEAD OF REAR WHEELS, RT SIDE (RPO NPK)
OPTIONAL AIR DRYER FWD OUTSIDE RT (RPO KUT/JPY)

Minimum Wheelbase
231" WB (150" CA) 91" AF

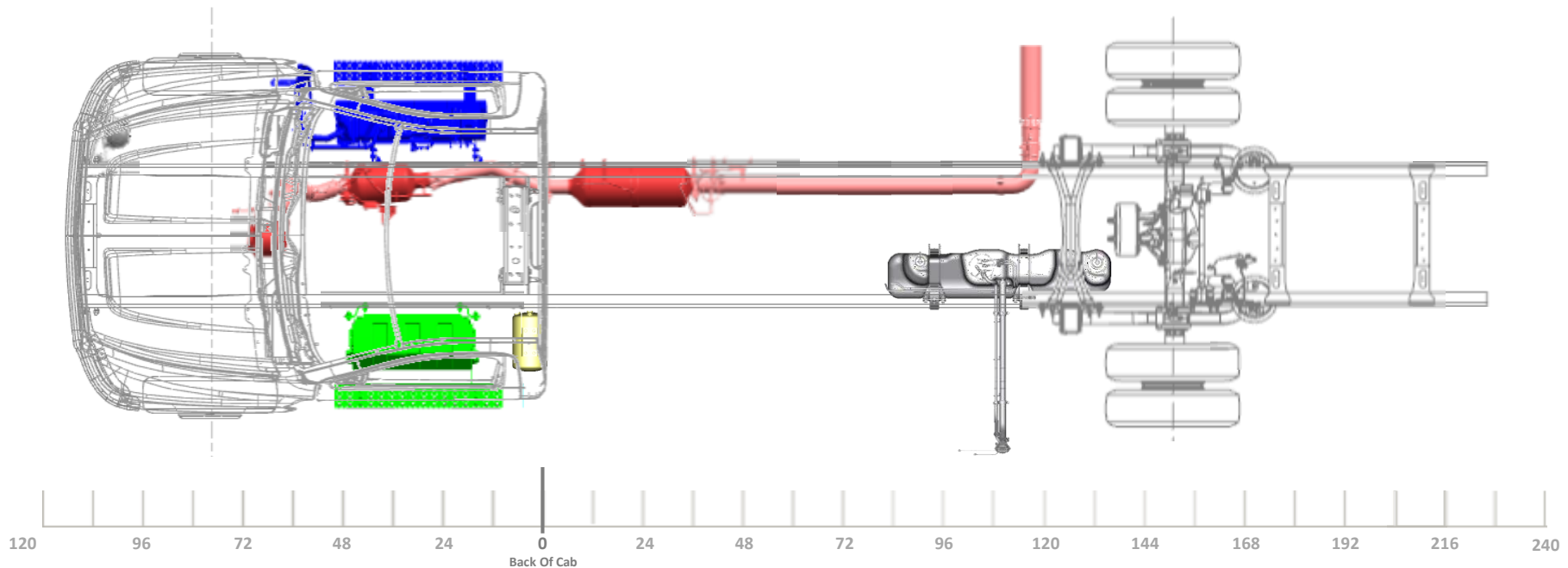


Silverado Medium Duty 4500HD/5500HD/6500HD

Model/Feature Information	
Model:	C56403 K56403
Cab:	REGULAR CAB
Aftertreatment:	HORIZONTAL
Fuel Tank:	RPO NVK 25 GAL, CA MTD
Battery Box:	RPO 7Y7/7Y8 28" STEEL, 2 BATTERIES
Air Tanks:	(1) OUTSIDE LEFT
DEF Tank:	6.75 GAL
Engine:	6.6L GM DURAMAX

General Configuration Information
4X2 TRUCK CONFIGURATION IROS REAR SUSPENSION
SIDE EXIT TAILPIPE AHEAD OF REAR WHEELS, RT SIDE (RPO NPK)
OPTIONAL AIR DRYER FWD OUTSIDE RT (RPO KUT/JPY)

Minimum Wheelbase
231" WB (150" CA) 91" AF

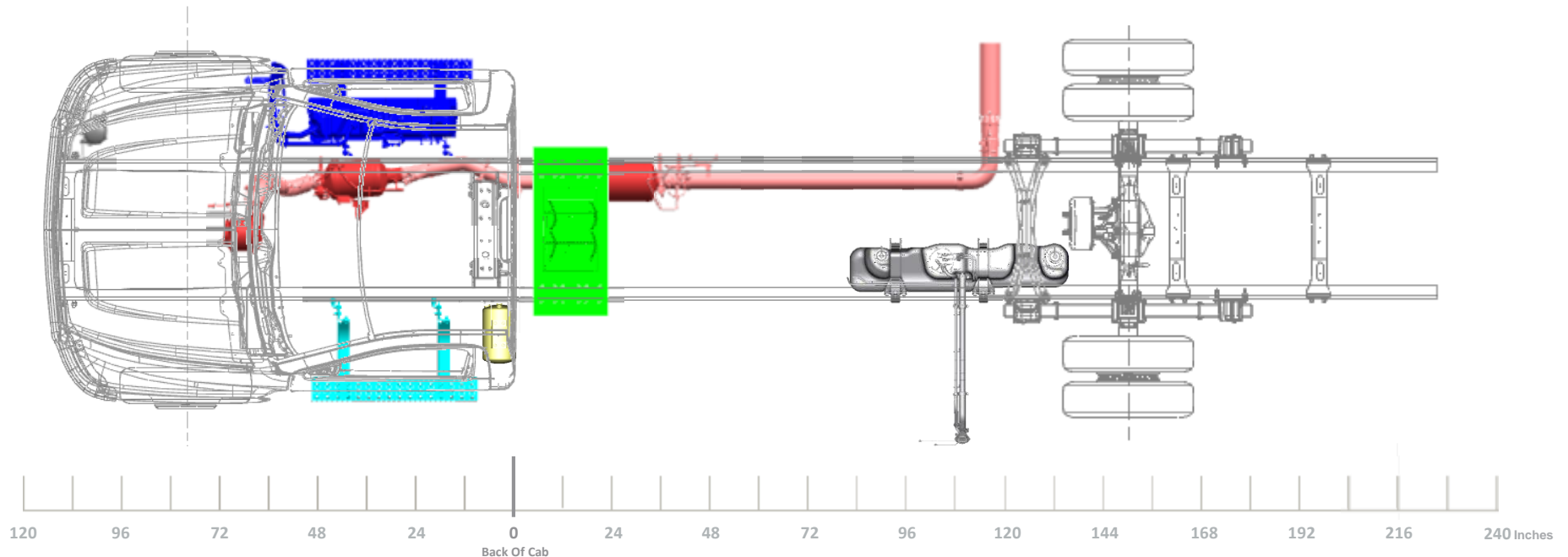


Silverado Medium Duty 4500HD/5500HD/6500HD

Model/Feature Information	
Model:	C56403 K56403
Cab:	REGULAR CAB
Aftertreatment:	HORIZONTAL
Fuel Tank:	RPO NVK 25 GAL, CA MTD
Battery Box:	RPO 7Y9 TEMP MTD, 3 BATT
Air Tanks:	(1) OUTSIDE LEFT
DEF Tank:	6.75 GAL
Engine:	6.6L GM DURAMAX

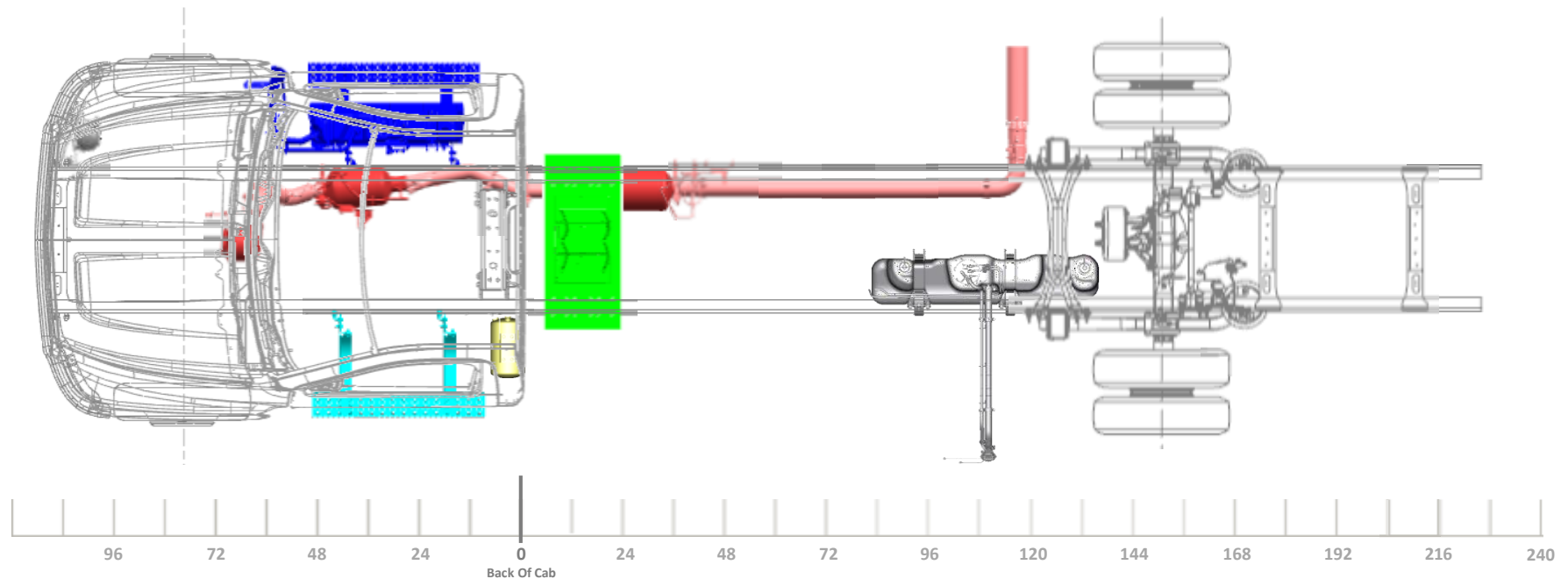
General Configuration Information
4X2 OR 4X4 TRUCK CONFIGURATION
SIDE EXIT TAILPIPE AHEAD OF REAR WHEELS, RT SIDE (RPO NPK)
OPTIONAL AIR DRYER FWD OUTSIDE RT (RPO KUT/JPY)

Minimum Wheelbase
231" WB (150" CA) 91" AF



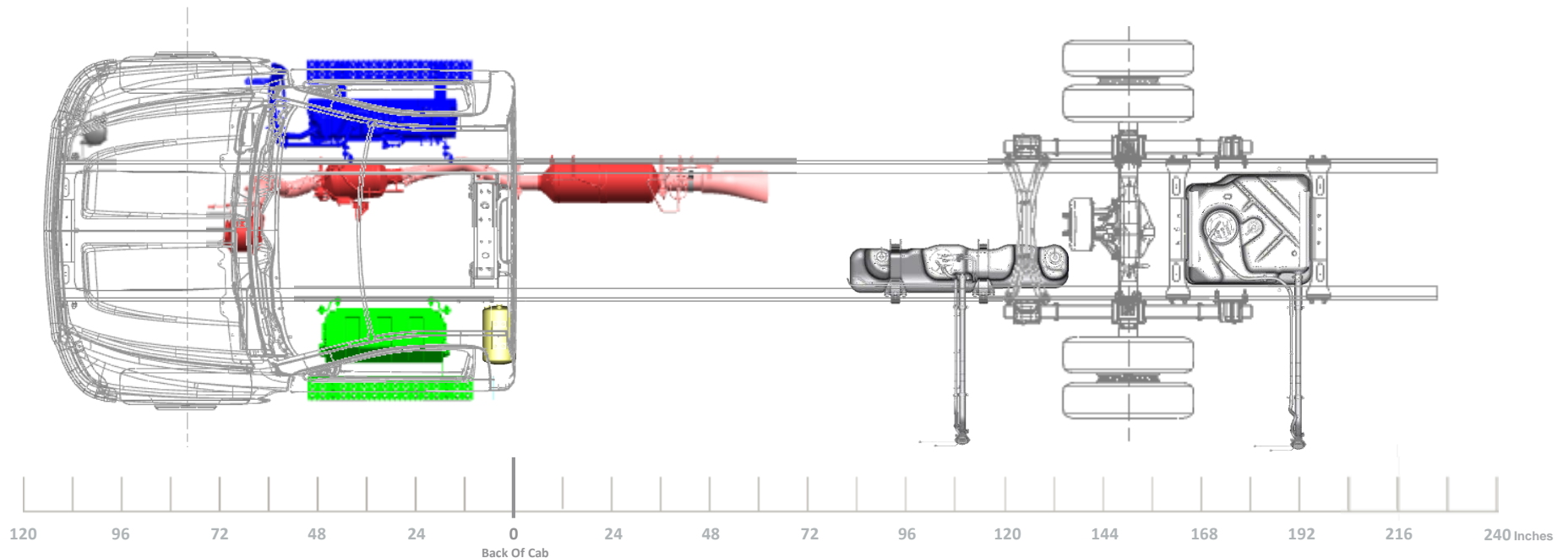
Silverado Medium Duty 4500HD/5500HD/6500HD

Model/Feature Information		General Configuration Information	Minimum Wheelbase
Model:	C56403 K56403	4X2 TRUCK CONFIGURATION IROS REAR SUSPENSION	231" WB (150" CA) 91" AF
Cab:	REGULAR CAB		
Aftertreatment:	HORIZONTAL	SIDE EXIT TAILPIPE AHEAD OF REAR WHEELS, RT SIDE (RPO NPK)	
Fuel Tank:	RPO NVK 25 GAL, CA MTD		
Battery Box:	RPO 7Y9 TEMP MTD, 3 BATT	OPTIONAL AIR DRYER FWD OUTSIDE RT (RPO KUT/JPY)	
Air Tanks:	(1) OUTSIDE LEFT		
DEF Tank:	6.75 GAL		
Engine:	6.6L GM DURAMAX		



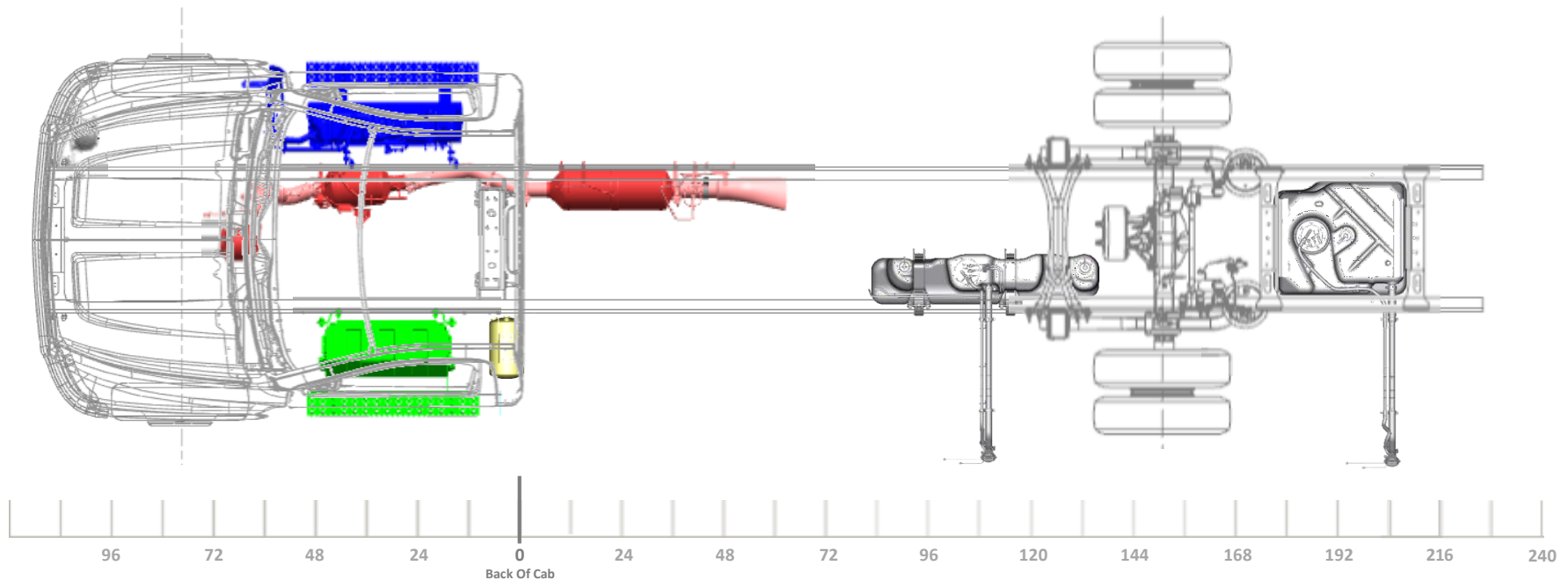
Silverado Medium Duty 4500HD/5500HD/6500HD

Model/Feature Information		General Configuration Information	Minimum Wheelbase
Model:	C56403 K56403	4X2 OR 4X4 TRUCK CONFIGURATION	231" WB (150" CA) 91" AF
Cab:	REGULAR CAB		
Aftertreatment:	HORIZONTAL	STRAIGHT TAILPIPE (RPO N12)	
Fuel Tank:	RPO NSQ DUAL 25G CA, 40G AF		
Battery Box:	RPO 7Y7/7Y8 28" STEEL, 2 BATTERIES	OPTIONAL AIR DRYER FWD OUTSIDE RT (RPO KUT/JPY)	
Air Tanks:	(1) OUTSIDE LEFT		
DEF Tank:	6.75 GAL		
Engine:	6.6L GM DURAMAX		



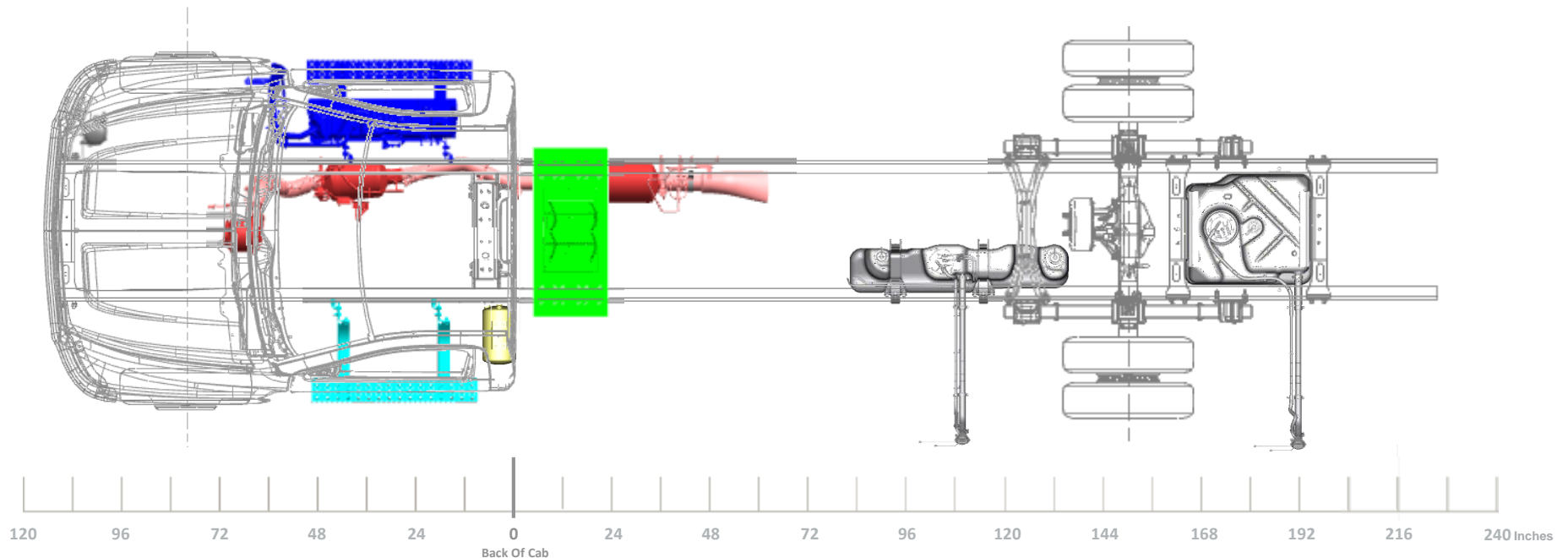
Silverado Medium Duty 4500HD/5500HD/6500HD

Model/Feature Information		General Configuration Information	Minimum Wheelbase
Model:	C56403 K56403	4X2 TRUCK CONFIGURATION IROS REAR SUSPENSION	231" WB (150" CA) 91" AF
Cab:	REGULAR CAB		
Aftertreatment:	HORIZONTAL	STRAIGHT TAILPIPE (RPO N12)	
Fuel Tank:	RPO NSQ DUAL 25G CA, 40G AF		
Battery Box:	RPO 7Y7/7Y8 28" STEEL, 2 BATTERIES	OPTIONAL AIR DRYER FWD OUTSIDE RT (RPO KUT/JPY)	
Air Tanks:	(1) OUTSIDE LEFT		
DEF Tank:	6.75 GAL		
Engine:	6.6L GM DURAMAX		



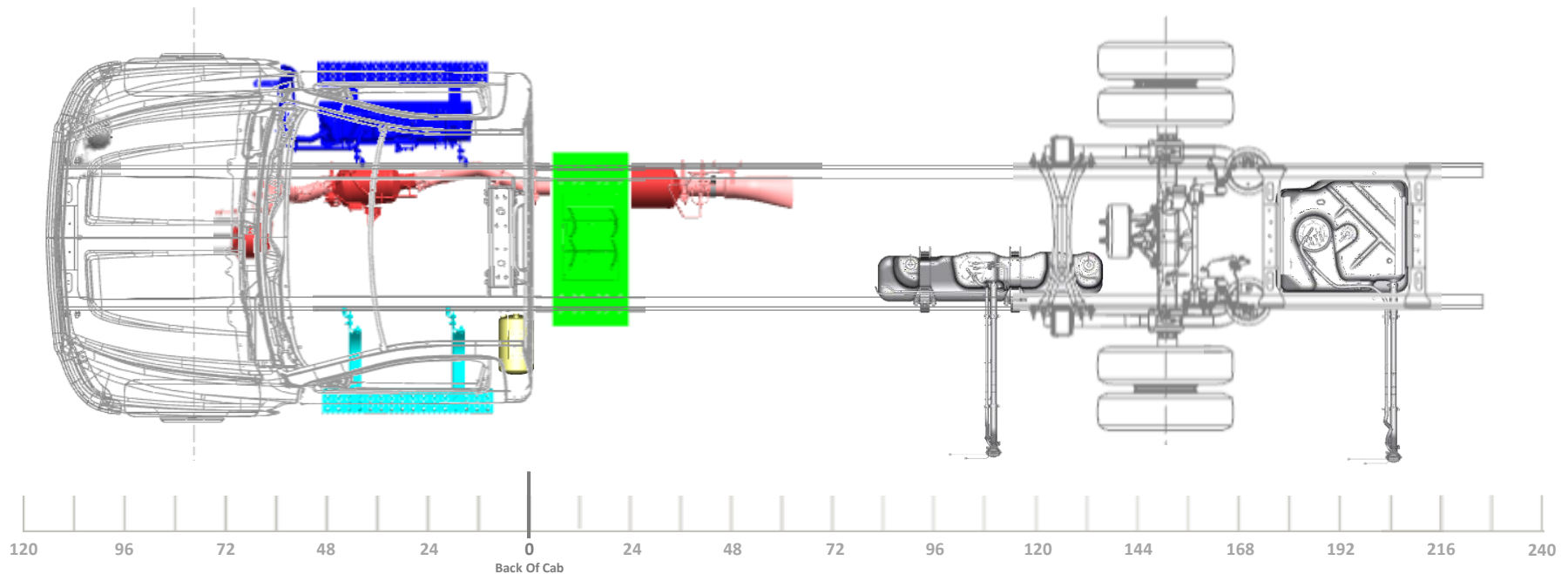
Silverado Medium Duty 4500HD/5500HD/6500HD

Model/Feature Information		General Configuration Information	Minimum Wheelbase
Model:	C56403 K56403	4X2 OR 4X4 TRUCK CONFIGURATION	231" WB (150" CA) 91" AF
Cab:	REGULAR CAB		
Aftertreatment:	HORIZONTAL	STRAIGHT TAILPIPE (RPO N12)	
Fuel Tank:	RPO NSQ DUAL 25G CA, 40G AF		
Battery Box:	RPO 7Y9 TEMP MTD, 3 BATT	OPTIONAL AIR DRYER FWD OUTSIDE RT (RPO KUT/JPY)	
Air Tanks:	(1) OUTSIDE LEFT		
DEF Tank:	6.75 GAL		
Engine:	6.6L GM DURAMAX		



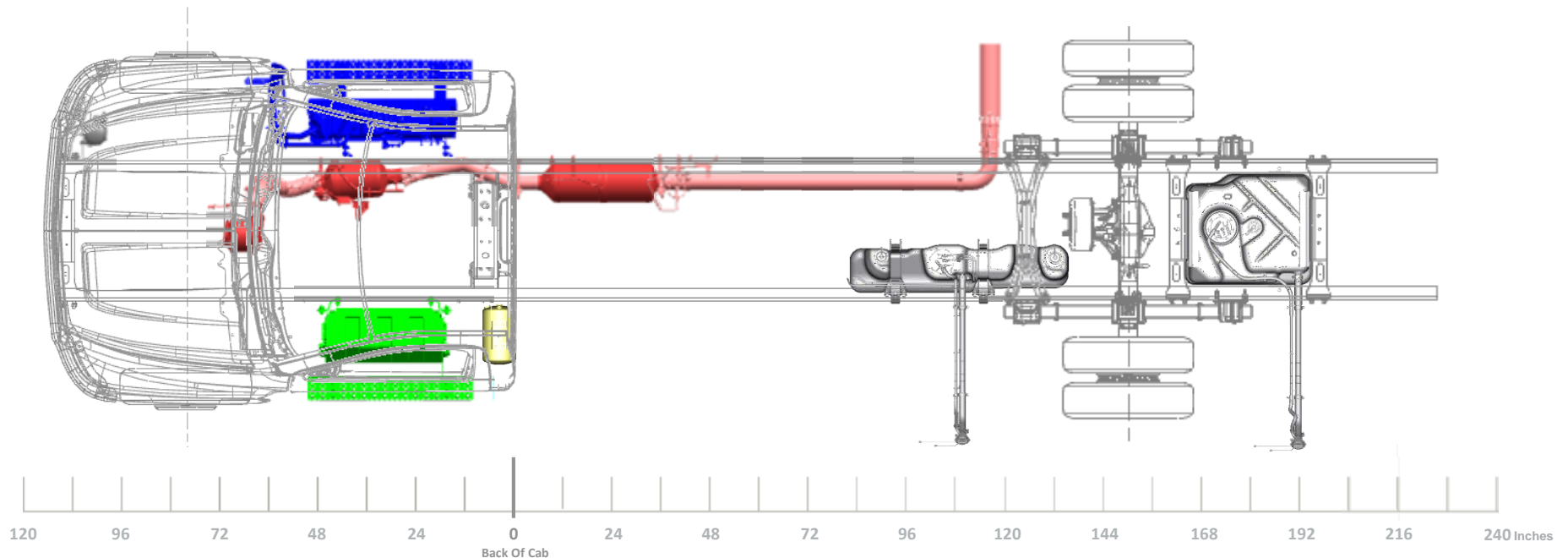
Silverado Medium Duty 4500HD/5500HD/6500HD

Model/Feature Information		General Configuration Information	Minimum Wheelbase
Model:	C56403 K56403	4X2 TRUCK CONFIGURATION IROS REAR SUSPENSION	231" WB (150" CA) 91" AF
Cab:	REGULAR CAB		
Aftertreatment:	HORIZONTAL	STRAIGHT TAILPIPE (RPO N12)	
Fuel Tank:	RPO NSQ DUAL 25G CA, 40G AF		
Battery Box:	RPO 7Y9 TEMP MTD, 3 BATT	OPTIONAL AIR DRYER FWD OUTSIDE RT (RPO KUT/JPY)	
Air Tanks:	(1) OUTSIDE LEFT		
DEF Tank:	6.75 GAL		
Engine:	6.6L GM DURAMAX		



Silverado Medium Duty 4500HD/5500HD/6500HD

Model/Feature Information		General Configuration Information	Minimum Wheelbase
Model:	C56403 K56403	4X2 OR 4X4 TRUCK CONFIGURATION	231" WB (150" CA) 91" AF
Cab:	REGULAR CAB		
Aftertreatment:	HORIZONTAL	SIDE EXIT TAILPIPE AHEAD OF REAR WHEELS, RT SIDE (RPO NPK)	
Fuel Tank:	RPO NSQ DUAL 25G CA, 40G AF		
Battery Box:	RPO 7Y7/7Y8 28" STEEL, 2 BATTERIES	OPTIONAL AIR DRYER FWD OUTSIDE RT (RPO KUT/JPY)	
Air Tanks:	(1) OUTSIDE LEFT		
DEF Tank:	6.75 GAL		
Engine:	6.6L GM DURAMAX		

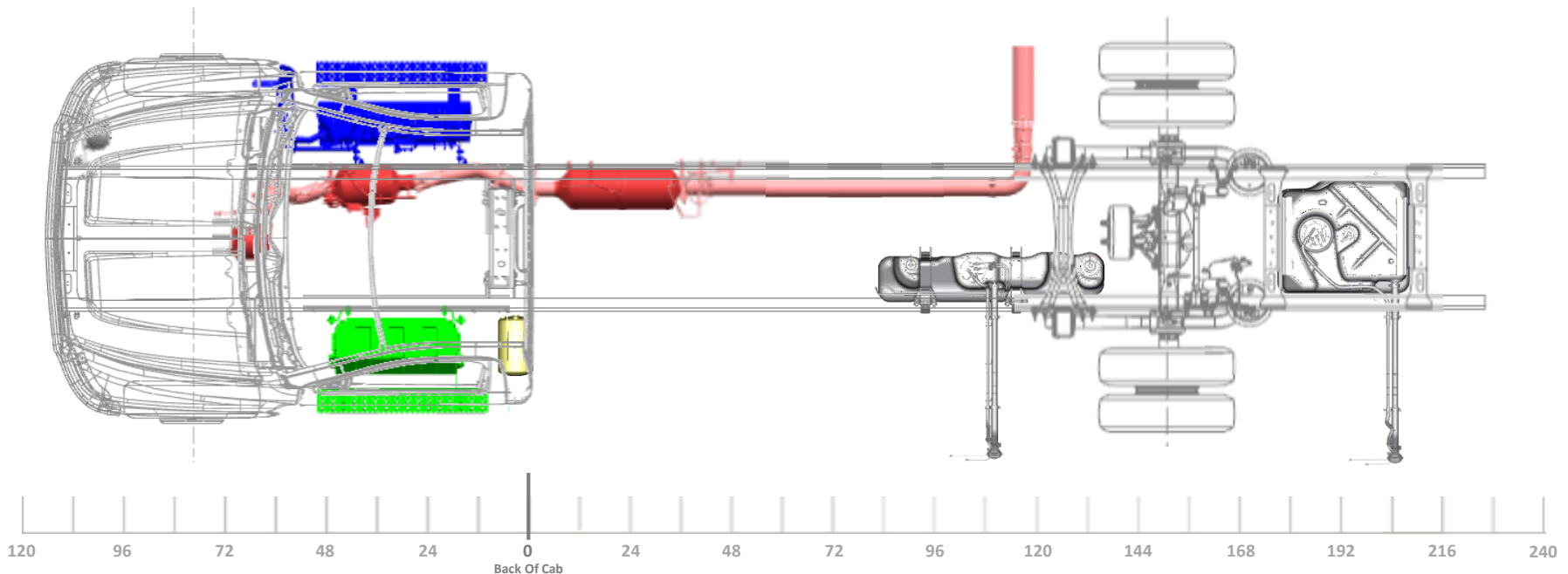


Silverado Medium Duty 4500HD/5500HD/6500HD

Model/Feature Information	
Model:	C56403 K56403
Cab:	REGULAR CAB
Aftertreatment:	HORIZONTAL
Fuel Tank:	RPO NSQ DUAL 25G CA, 40G AF
Battery Box:	RPO 7Y7/7Y8 28" STEEL, 2 BATTERIES
Air Tanks:	(1) OUTSIDE LEFT
DEF Tank:	6.75 GAL
Engine:	6.6L GM DURAMAX

General Configuration Information
4X2 TRUCK CONFIGURATION IROS REAR SUSPENSION
SIDE EXIT TAILPIPE AHEAD OF REAR WHEELS, RT SIDE (RPO NPK)
OPTIONAL AIR DRYER FWD OUTSIDE RT (RPO KUT/JPY)

Minimum Wheelbase
231" WB (150" CA) 91" AF

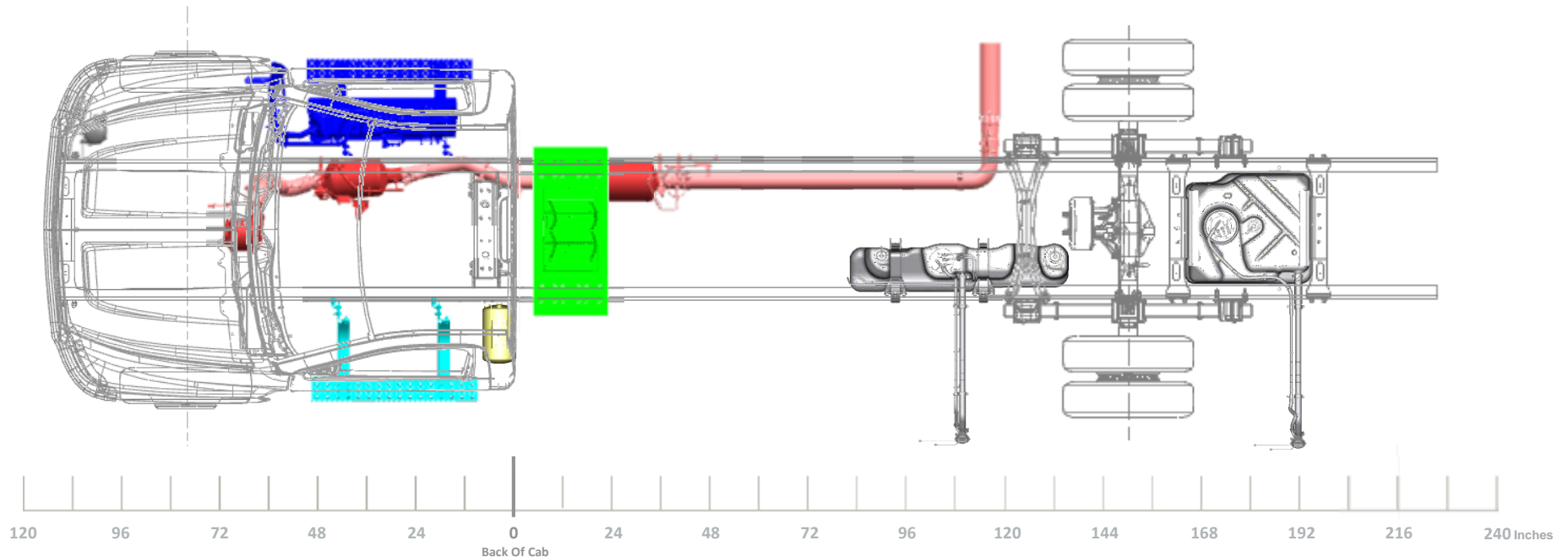


Silverado Medium Duty 4500HD/5500HD/6500HD

Model/Feature Information	
Model:	C56403 K56403
Cab:	REGULAR CAB
Aftertreatment:	HORIZONTAL
Fuel Tank:	RPO NSQ DUAL 25G CA, 40G AF
Battery Box:	RPO 7Y9 TEMP MTD, 3 BATT
Air Tanks:	(1) OUTSIDE LEFT
DEF Tank:	6.75 GAL
Engine:	6.6L GM DURAMAX

General Configuration Information
4X2 OR 4X4 TRUCK CONFIGURATION
SIDE EXIT TAILPIPE AHEAD OF REAR WHEELS, RT SIDE (RPO NPK)
OPTIONAL AIR DRYER FWD OUTSIDE RT (RPO KUT/JPY)

Minimum Wheelbase
231" WB (150" CA) 91" AF

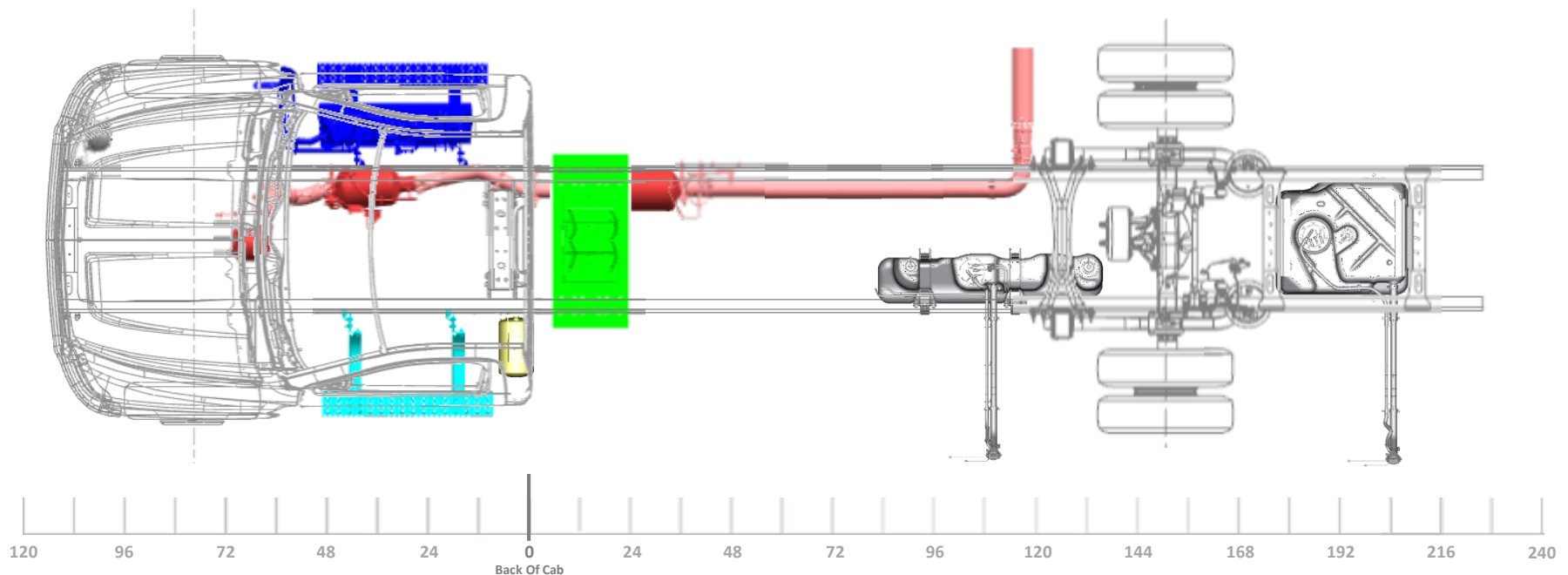


Silverado Medium Duty 4500HD/5500HD/6500HD

Model/Feature Information	
Model:	C56403 K56403
Cab:	REGULAR CAB
Aftertreatment:	HORIZONTAL
Fuel Tank:	RPO NSQ DUAL 25G CA, 40G AF
Battery Box:	RPO 7Y9 TEMP MTD, 3 BATT
Air Tanks:	(1) OUTSIDE LEFT
DEF Tank:	6.75 GAL
Engine:	6.6L GM DURAMAX

General Configuration Information
4X2 TRUCK CONFIGURATION IROS REAR SUSPENSION
SIDE EXIT TAILPIPE AHEAD OF REAR WHEELS, RT SIDE (RPO NPK)
OPTIONAL AIR DRYER FWD OUTSIDE RT (RPO KUT/JPY)

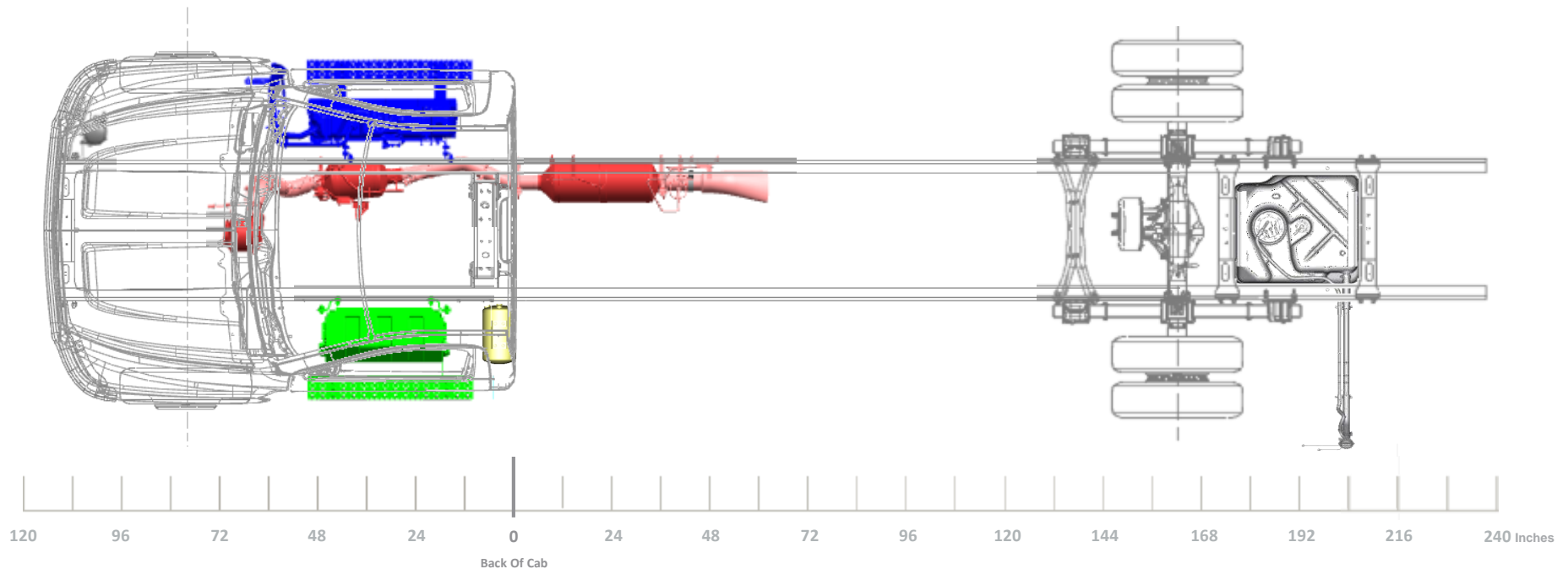
Minimum Wheelbase
231" WB (150" CA) 91" AF



Regular Cab – 243” WB

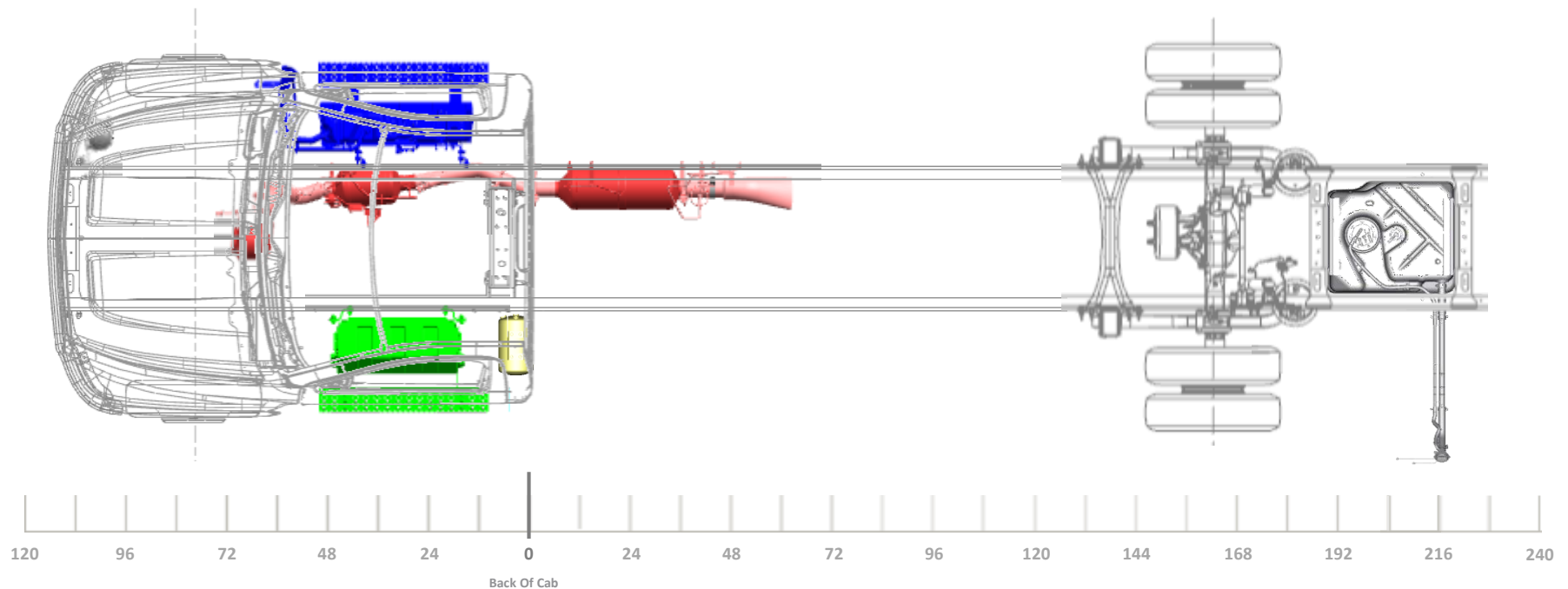
Silverado Medium Duty 4500HD/5500HD/6500HD

Model/Feature Information		General Configuration Information	Minimum Wheelbase
Model:	C56403 K56403	4X2 OR 4X4 TRUCK CONFIGURATION	243" WB (162" CA) 83" AF
Cab:	REGULAR CAB		
Aftertreatment:	HORIZONTAL	STRAIGHT TAILPIPE (RPO N12)	
Fuel Tank:	RPO N2L 40 GAL, AF MTD		
Battery Box:	RPO 7Y7/7Y8 28" STEEL, 2 BATTERIES	OPTIONAL AIR DRYER FWD OUTSIDE RT (RPO KUT/JPY)	
Air Tanks:	(1) OUTSIDE LEFT		
DEF Tank:	6.75 GAL		
Engine:	6.6L GM DURAMAX		



Silverado Medium Duty 4500HD/5500HD/6500HD

Model/Feature Information		General Configuration Information	Minimum Wheelbase
Model:	C56403 K56403	4X2 TRUCK CONFIGURATION IROS REAR SUSPENSION	243" WB (162" CA) 83" AF
Cab:	REGULAR CAB		
Aftertreatment:	HORIZONTAL	STRAIGHT TAILPIPE (RPO N12)	
Fuel Tank:	RPO N2L 40 GAL, AF MTD		
Battery Box:	RPO 7Y7/7Y8 28" STEEL, 2 BATTERIES	OPTIONAL AIR DRYER FWD OUTSIDE RT (RPO KUT/JPY)	
Air Tanks:	(1) OUTSIDE LEFT		
DEF Tank:	6.75 GAL		
Engine:	6.6L GM DURAMAX		

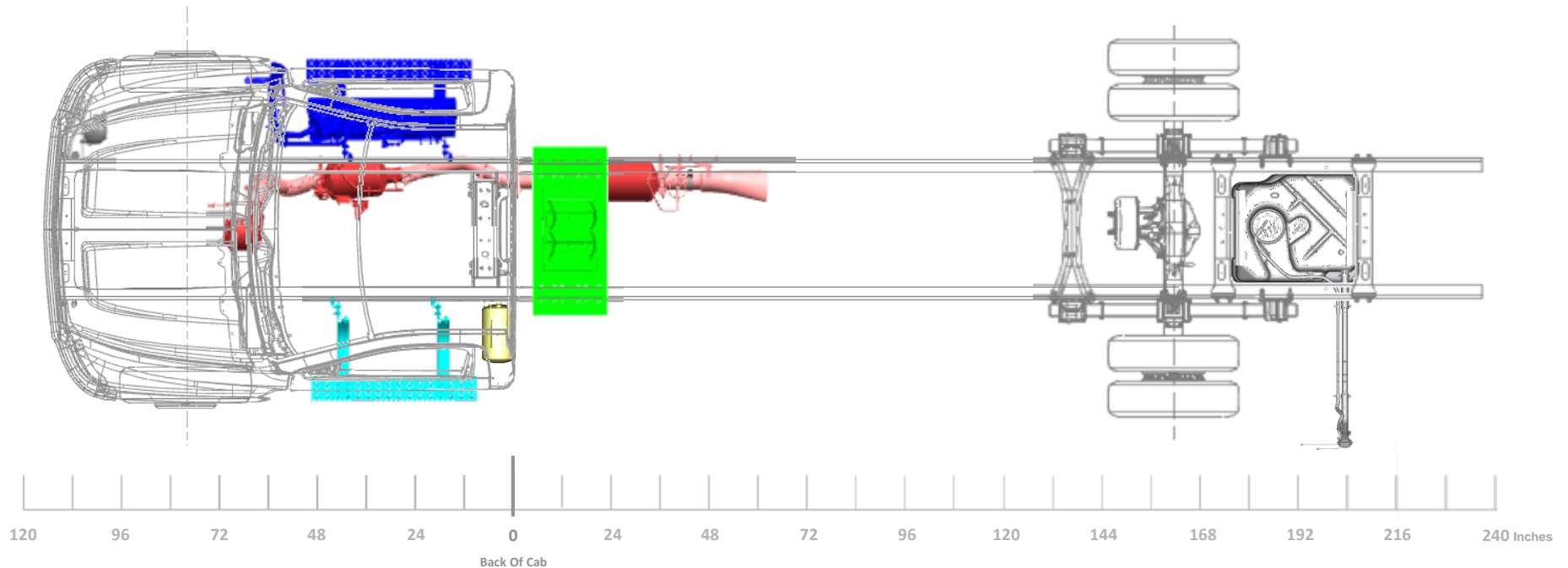


Silverado Medium Duty 4500HD/5500HD/6500HD

Model/Feature Information	
Model:	C56403 K56403
Cab:	REGULAR CAB
Aftertreatment:	HORIZONTAL
Fuel Tank:	RPO N2L 40 GAL, AF MTD
Battery Box:	RPO 7Y9 TEMP MTD, 3 BATT
Air Tanks:	(1) OUTSIDE LEFT
DEF Tank:	6.75 GAL
Engine:	6.6L GM DURAMAX

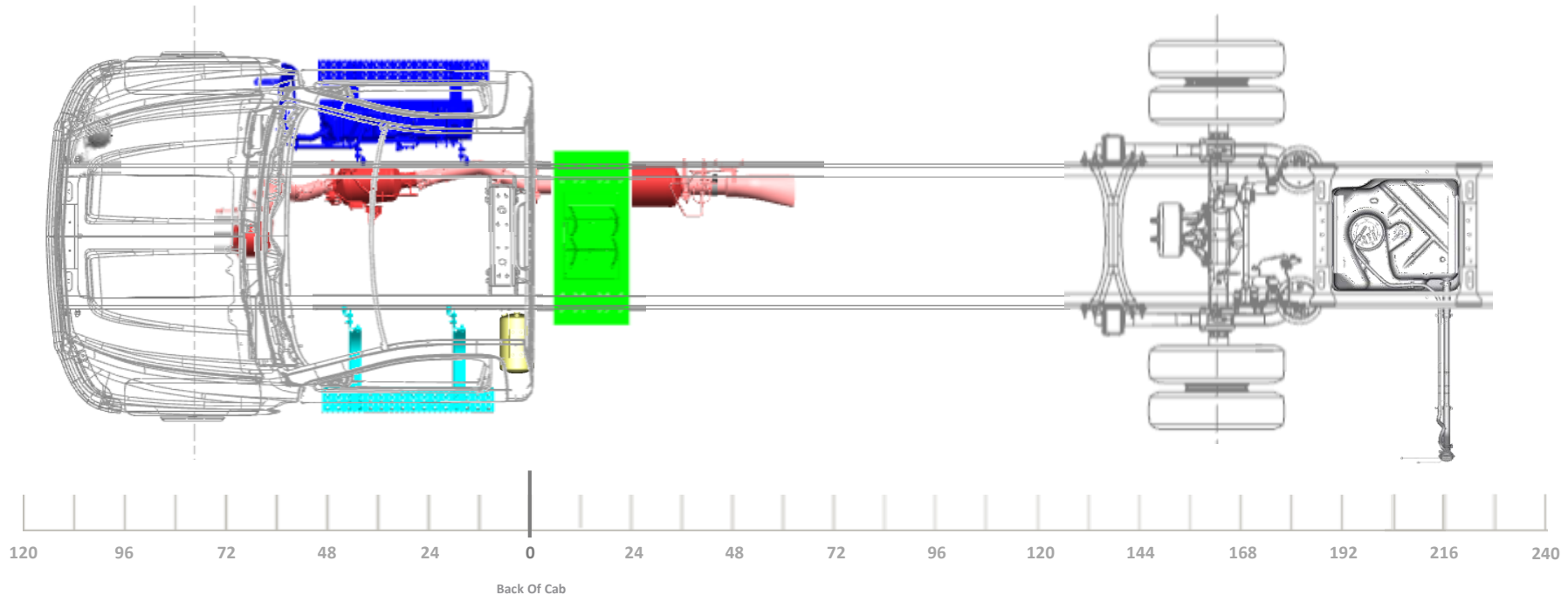
General Configuration Information
4X2 OR 4X4 TRUCK CONFIGURATION
STRAIGHT TAILPIPE (RPO N12)
OPTIONAL AIR DRYER FWD OUTSIDE RT (RPO KUT/JPY)

Minimum Wheelbase
243" WB (162" CA) 83" AF



Silverado Medium Duty 4500HD/5500HD/6500HD

Model/Feature Information		General Configuration Information	Minimum Wheelbase
Model:	C56403 K56403	4X2 TRUCK CONFIGURATION IROS REAR SUSPENSION	243" WB (162" CA) 83" AF
Cab:	REGULAR CAB		
Aftertreatment:	HORIZONTAL	STRAIGHT TAILPIPE (RPO N12)	
Fuel Tank:	RPO N2L 40 GAL, AF MTD		
Battery Box:	RPO 7Y9 TEMP MTD, 3 BATT	OPTIONAL AIR DRYER FWD OUTSIDE RT (RPO KUT/JPY)	
Air Tanks:	(1) OUTSIDE LEFT		
DEF Tank:	6.75 GAL		
Engine:	6.6L GM DURAMAX		

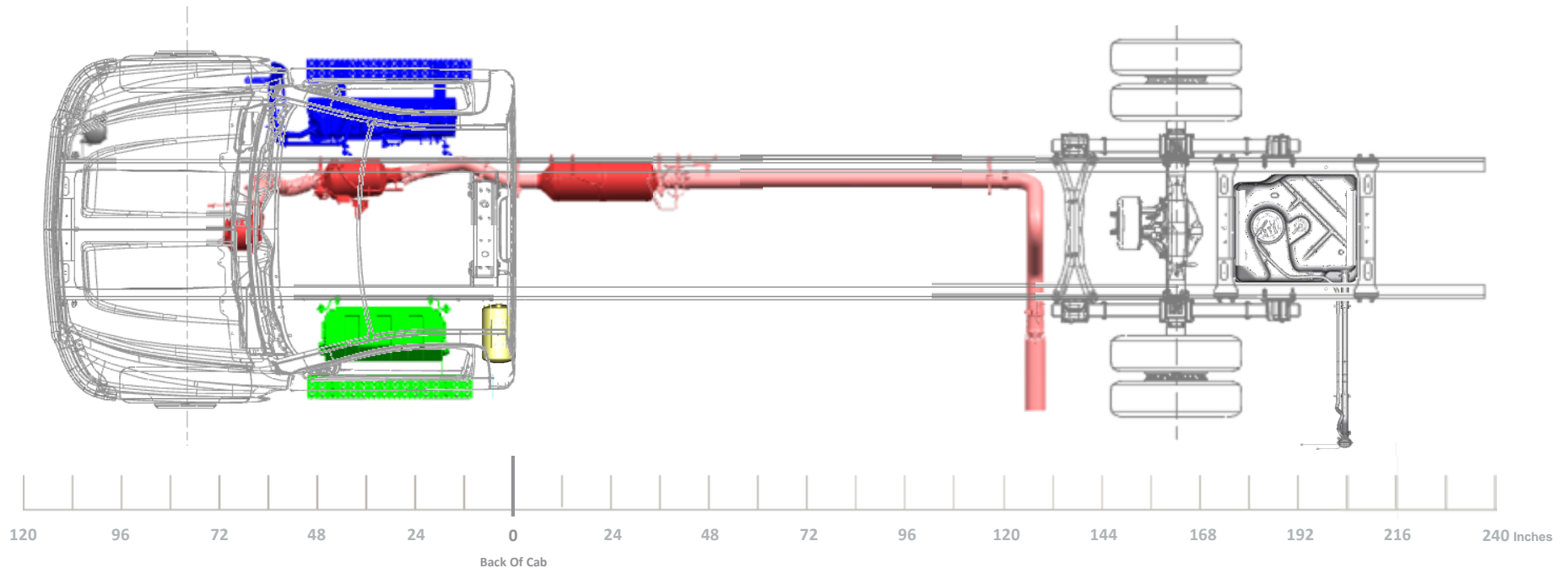


Silverado Medium Duty 4500HD/5500HD/6500HD

Model/Feature Information	
Model:	C56403 K56403
Cab:	REGULAR CAB
Aftertreatment:	HORIZONTAL
Fuel Tank:	RPO N2L 40 GAL, AF MTD
Battery Box:	RPO 7Y7/7Y8 28" STEEL, 2 BATTERIES
Air Tanks:	(1) OUTSIDE LEFT
DEF Tank:	6.75 GAL
Engine:	6.6L GM DURAMAX

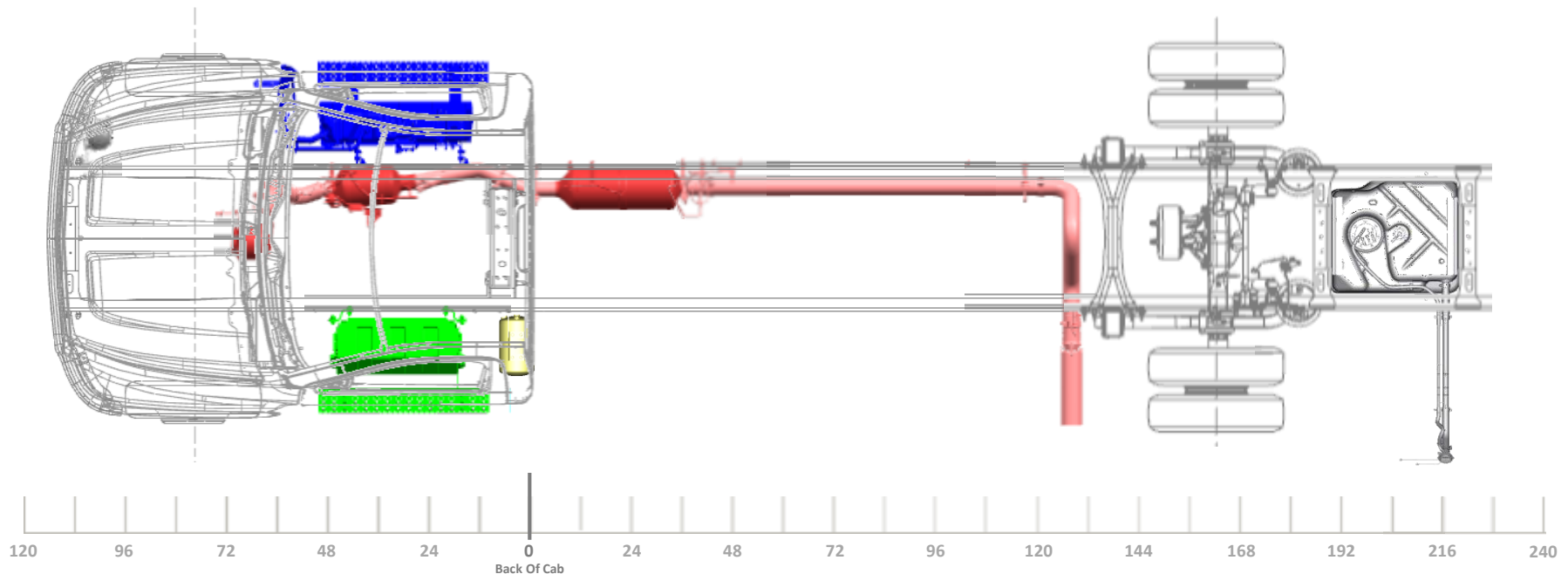
General Configuration Information
4X2 OR 4X4 TRUCK CONFIGURATION
SIDE EXIT TAILPIPE AHEAD OF REAR WHEELS, LT SIDE (RPO NPJ)
OPTIONAL AIR DRYER FWD OUTSIDE RT (RPO KUT/JPY)

Minimum Wheelbase
243" WB (162" CA) 83" AF



Silverado Medium Duty 4500HD/5500HD/6500HD

Model/Feature Information		General Configuration Information	Minimum Wheelbase
Model:	C56403 K56403	4X2 TRUCK CONFIGURATION IROS REAR SUSPENSION	243" WB (162" CA) 83" AF
Cab:	REGULAR CAB		
Aftertreatment:	HORIZONTAL	SIDE EXIT TAILPIPE AHEAD OF REAR WHEELS, LT SIDE (RPO NPJ)	
Fuel Tank:	RPO N2L 40 GAL, AF MTD		
Battery Box:	RPO 7Y7/7Y8 28" STEEL, 2 BATTERIES	OPTIONAL AIR DRYER FWD OUTSIDE RT (RPO KUT/JPY)	
Air Tanks:	(1) OUTSIDE LEFT		
DEF Tank:	6.75 GAL		
Engine:	6.6L GM DURAMAX		

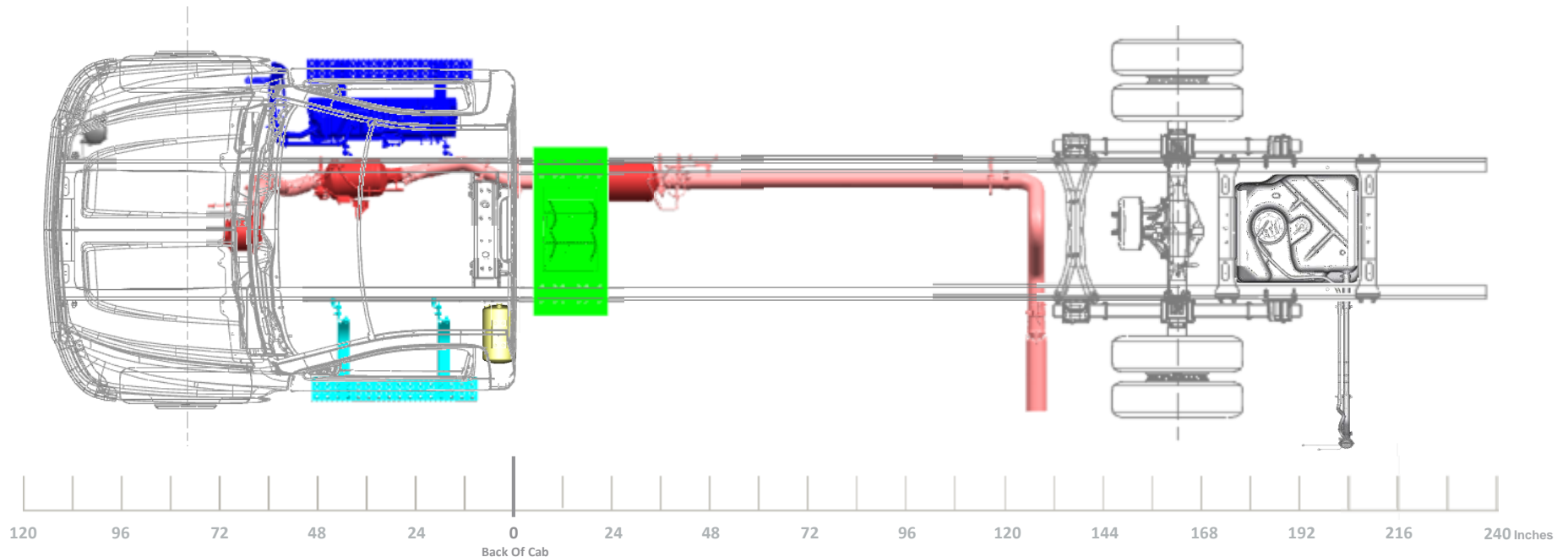


Silverado Medium Duty 4500HD/5500HD/6500HD

Model/Feature Information	
Model:	C56403 K56403
Cab:	REGULAR CAB
Aftertreatment:	HORIZONTAL
Fuel Tank:	RPO N2L 40 GAL, AF MTD
Battery Box:	RPO 7Y9 TEMP MTD, 3 BATT
Air Tanks:	(1) OUTSIDE LEFT
DEF Tank:	6.75 GAL
Engine:	6.6L GM DURAMAX

General Configuration Information
4X2 OR 4X4 TRUCK CONFIGURATION
SIDE EXIT TAILPIPE AHEAD OF REAR WHEELS, LT SIDE (RPO NPJ)
OPTIONAL AIR DRYER FWD OUTSIDE RT (RPO KUT/JPY)

Minimum Wheelbase
243" WB (162" CA) 83" AF

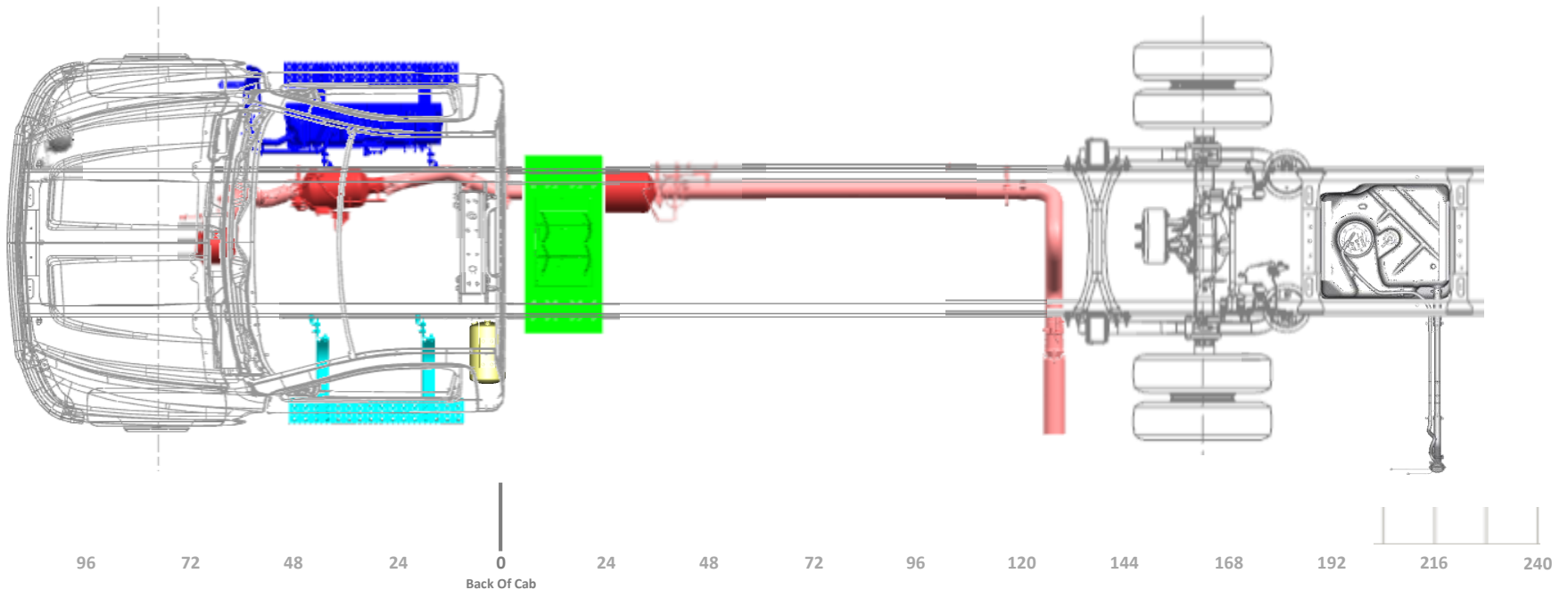


Silverado Medium Duty 4500HD/5500HD/6500HD

Model/Feature Information	
Model:	C56403 K56403
Cab:	REGULAR CAB
Aftertreatment:	HORIZONTAL
Fuel Tank:	RPO N2L 40 GAL, AF MTD
Battery Box:	RPO 7Y9 TEMP MTD, 3 BATT
Air Tanks:	(1) OUTSIDE LEFT
DEF Tank:	6.75 GAL
Engine:	6.6L GM DURAMAX

General Configuration Information
4X2 TRUCK CONFIGURATION IROS REAR SUSPENSION
SIDE EXIT TAILPIPE AHEAD OF REAR WHEELS, LT SIDE (RPO NPJ)
OPTIONAL AIR DRYER FWD OUTSIDE RT (RPO KUT/JPY)

Minimum Wheelbase
243" WB (162" CA) 83" AF

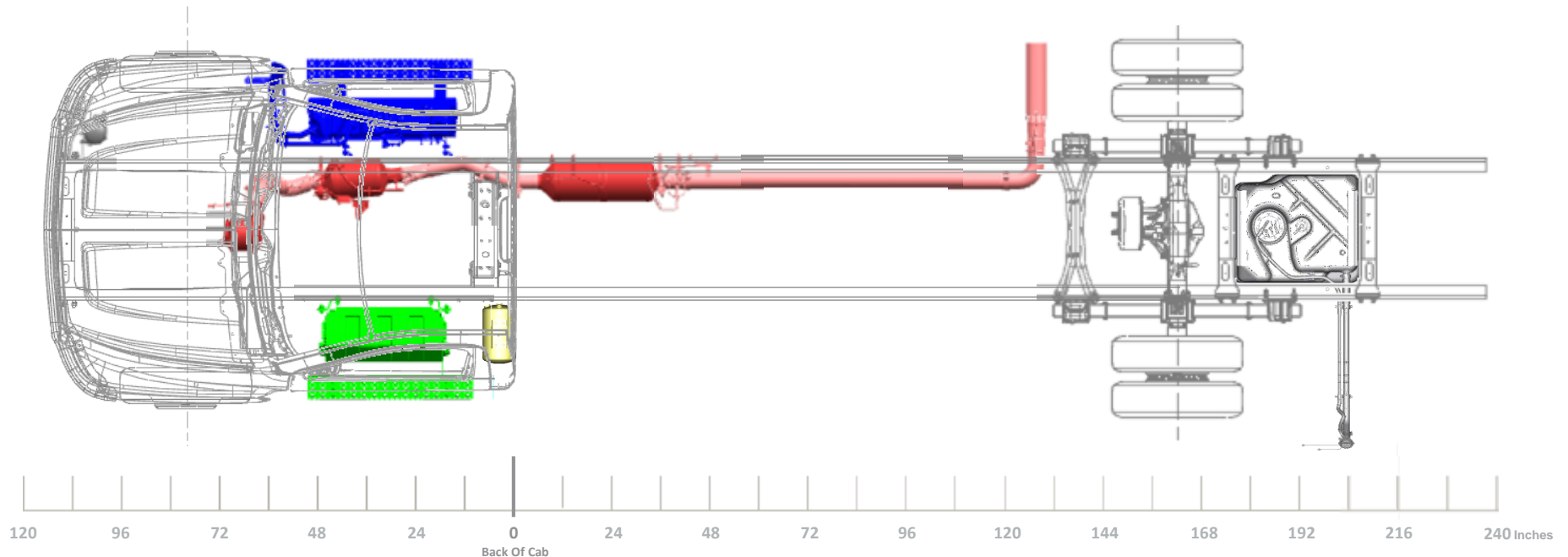


Silverado Medium Duty 4500HD/5500HD/6500HD

Model/Feature Information	
Model:	C56403 K56403
Cab:	REGULAR CAB
Aftertreatment:	HORIZONTAL
Fuel Tank:	RPO N2L 40 GAL, AF MTD
Battery Box:	RPO 7Y7/7Y8 28" STEEL, 2 BATTERIES
Air Tanks:	(1) OUTSIDE LEFT
DEF Tank:	6.75 GAL
Engine:	6.6L GM DURAMAX

General Configuration Information
4X2 OR 4X4 TRUCK CONFIGURATION
SIDE EXIT TAILPIPE AHEAD OF REAR WHEELS, RT SIDE (RPO NPK)
OPTIONAL AIR DRYER FWD OUTSIDE RT (RPO KUT/JPY)

Minimum Wheelbase
243" WB (162" CA) 83" AF

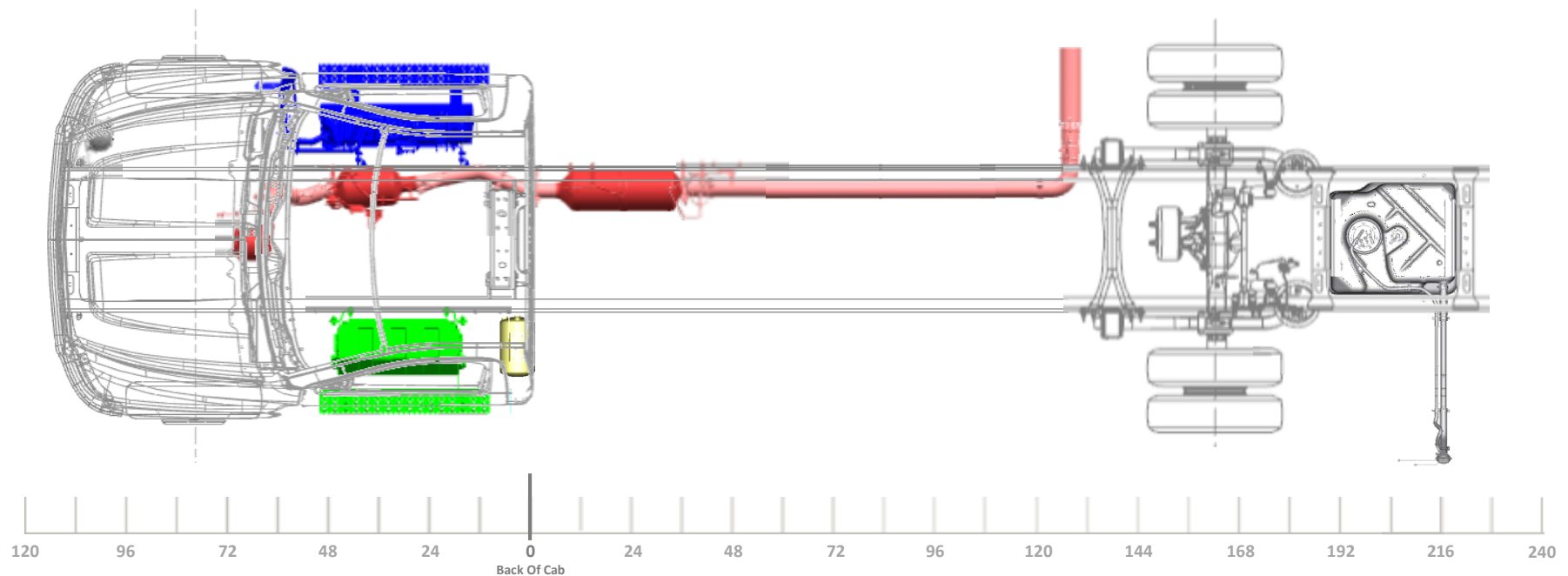


Silverado Medium Duty 4500HD/5500HD/6500HD

Model/Feature Information	
Model:	C56403 K56403
Cab:	REGULAR CAB
Aftertreatment:	HORIZONTAL
Fuel Tank:	RPO N2L 40 GAL, AF MTD
Battery Box:	RPO 7Y7/7Y8 28" STEEL, 2 BATTERIES
Air Tanks:	(1) OUTSIDE LEFT
DEF Tank:	6.75 GAL
Engine:	6.6L GM DURAMAX

General Configuration Information
4X2 TRUCK CONFIGURATION IROS REAR SUSPENSION
SIDE EXIT TAILPIPE AHEAD OF REAR WHEELS, RT SIDE (RPO NPK)
OPTIONAL AIR DRYER FWD OUTSIDE RT (RPO KUT/JPY)

Minimum Wheelbase
243" WB (162" CA) 83" AF

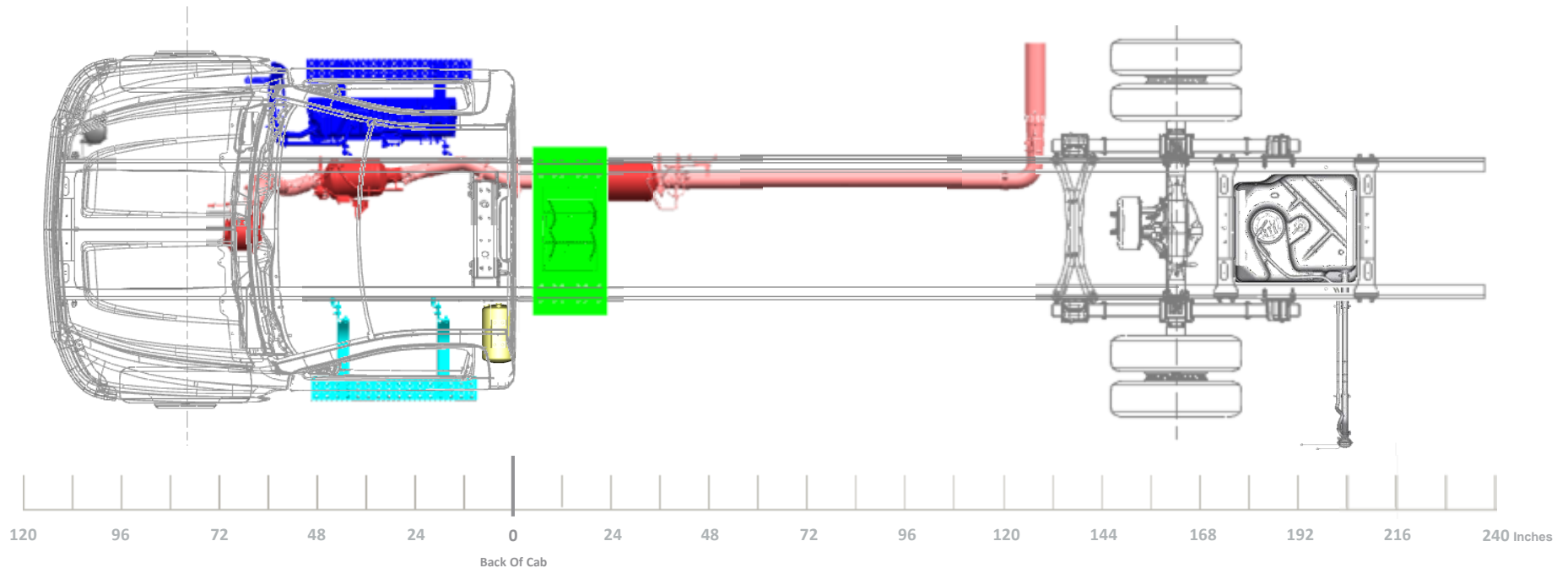


Silverado Medium Duty 4500HD/5500HD/6500HD

Model/Feature Information	
Model:	C56403 K56403
Cab:	REGULAR CAB
Aftertreatment:	HORIZONTAL
Fuel Tank:	RPO N2L 40 GAL, AF MTD
Battery Box:	RPO 7Y9 TEMP MTD, 3 BATT
Air Tanks:	(1) OUTSIDE LEFT
DEF Tank:	6.75 GAL
Engine:	6.6L GM DURAMAX

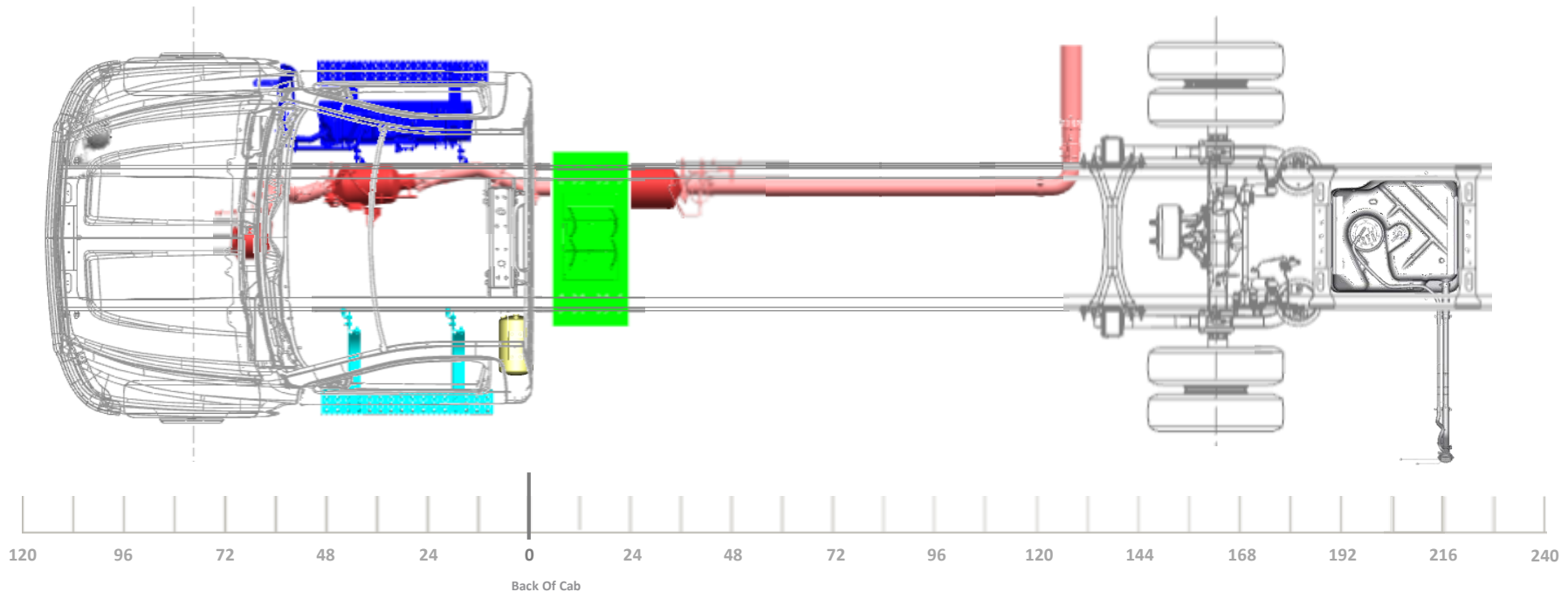
General Configuration Information
4X2 OR 4X4 TRUCK CONFIGURATION
SIDE EXIT TAILPIPE AHEAD OF REAR WHEELS, RT SIDE (RPO NPK)
OPTIONAL AIR DRYER FWD OUTSIDE RT (RPO KUT/JPY)

Minimum Wheelbase
243" WB (162" CA) 83" AF



Silverado Medium Duty 4500HD/5500HD/6500HD

Model/Feature Information		General Configuration Information	Minimum Wheelbase
Model:	C56403 K56403	4X2 TRUCK CONFIGURATION IROS REAR SUSPENSION	243" WB (162" CA) 83" AF
Cab:	REGULAR CAB		
Aftertreatment:	HORIZONTAL	SIDE EXIT TAILPIPE AHEAD OF REAR WHEELS, RT SIDE (RPO NPK)	
Fuel Tank:	RPO N2L 40 GAL, AF MTD		
Battery Box:	RPO 7Y9 TEMP MTD, 3 BATT	OPTIONAL AIR DRYER FWD OUTSIDE RT (RPO KUT/JPY)	
Air Tanks:	(1) OUTSIDE LEFT		
DEF Tank:	6.75 GAL		
Engine:	6.6L GM DURAMAX		

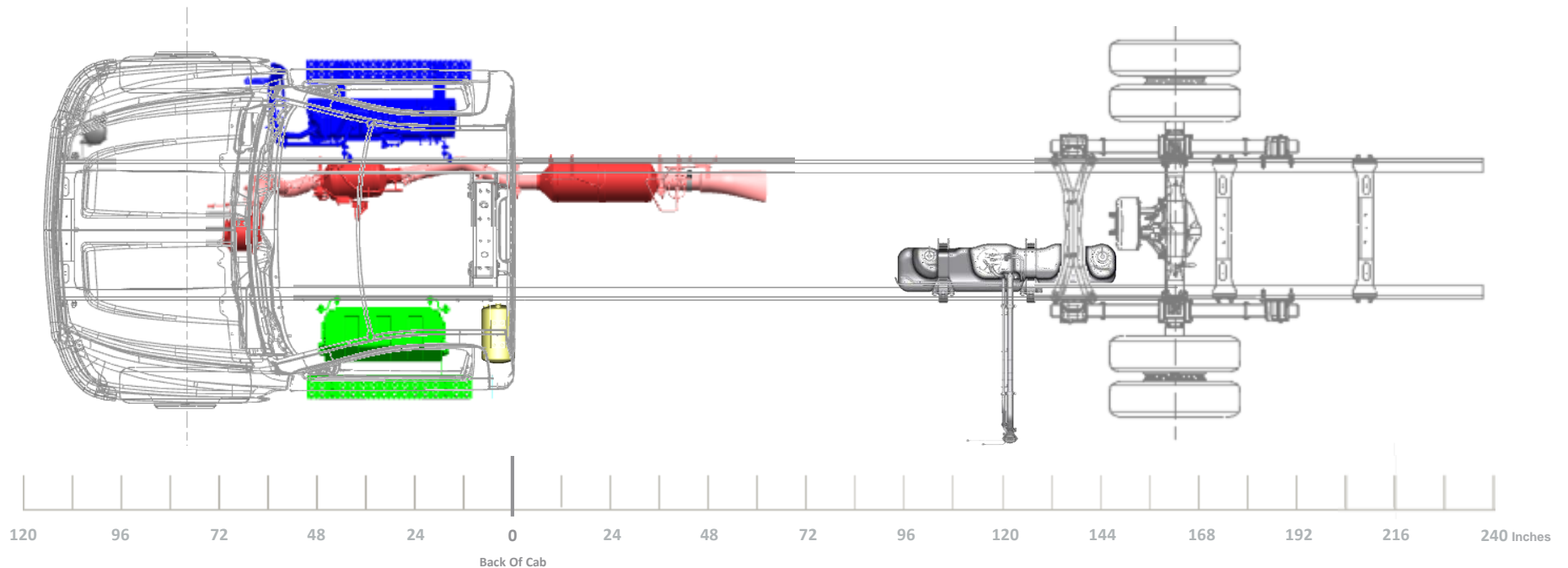


Silverado Medium Duty 4500HD/5500HD/6500HD

Model/Feature Information	
Model:	C56403 K56403
Cab:	REGULAR CAB
Aftertreatment:	HORIZONTAL
Fuel Tank:	RPO NVK 25 GAL, CA MTD
Battery Box:	RPO 7Y7/7Y8 28" STEEL, 2 BATTERIES
Air Tanks:	(1) OUTSIDE LEFT
DEF Tank:	6.75 GAL
Engine:	6.6L GM DURAMAX

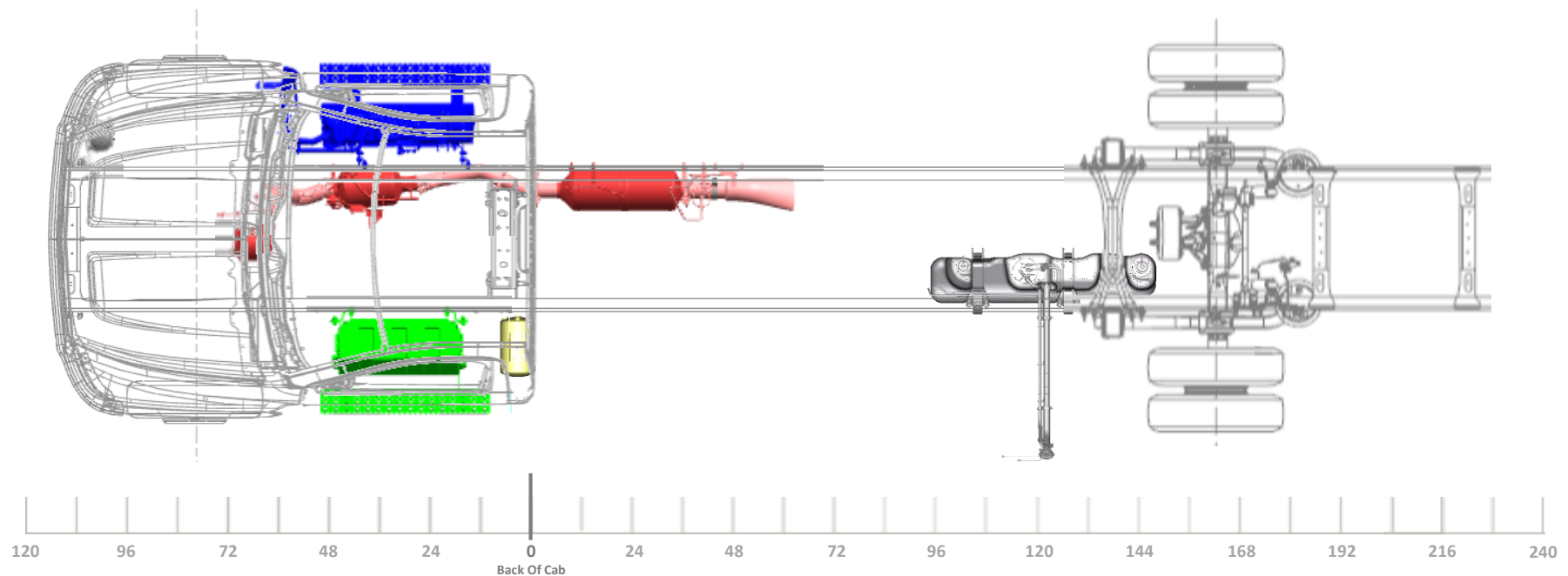
General Configuration Information
4X2 OR 4X4 TRUCK CONFIGURATION
STRAIGHT TAILPIPE (RPO N12)
OPTIONAL AIR DRYER FWD OUTSIDE RT (RPO KUT/JPY)

Minimum Wheelbase
243" WB (162" CA) 83" AF



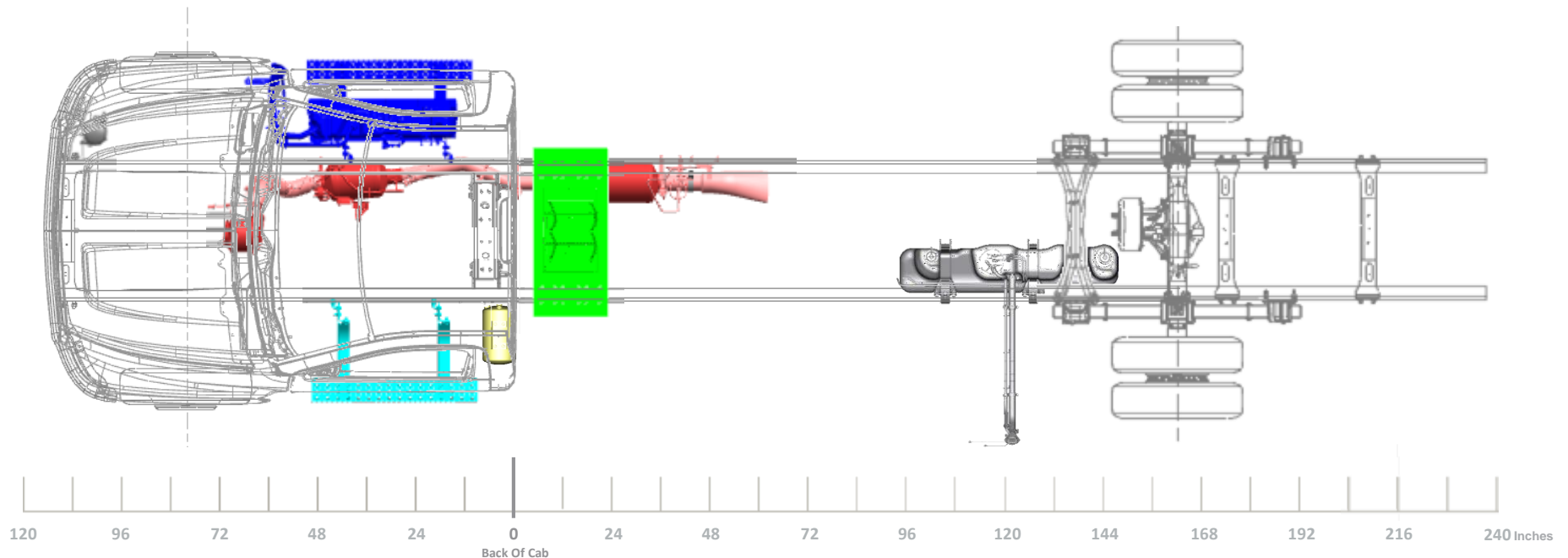
Silverado Medium Duty 4500HD/5500HD/6500HD

Model/Feature Information		General Configuration Information	Minimum Wheelbase
Model:	C56403 K56403	4X2 TRUCK CONFIGURATION IROS REAR SUSPENSION	243" WB (162" CA) 83" AF
Cab:	REGULAR CAB		
Aftertreatment:	HORIZONTAL	STRAIGHT TAILPIPE (RPO N12)	
Fuel Tank:	RPO NVK 25 GAL, CA MTD		
Battery Box:	RPO 7Y7/7Y8 28" STEEL, 2 BATTERIES	OPTIONAL AIR DRYER FWD OUTSIDE RT (RPO KUT/JPY)	
Air Tanks:	(1) OUTSIDE LEFT		
DEF Tank:	6.75 GAL		
Engine:	6.6L GM DURAMAX		



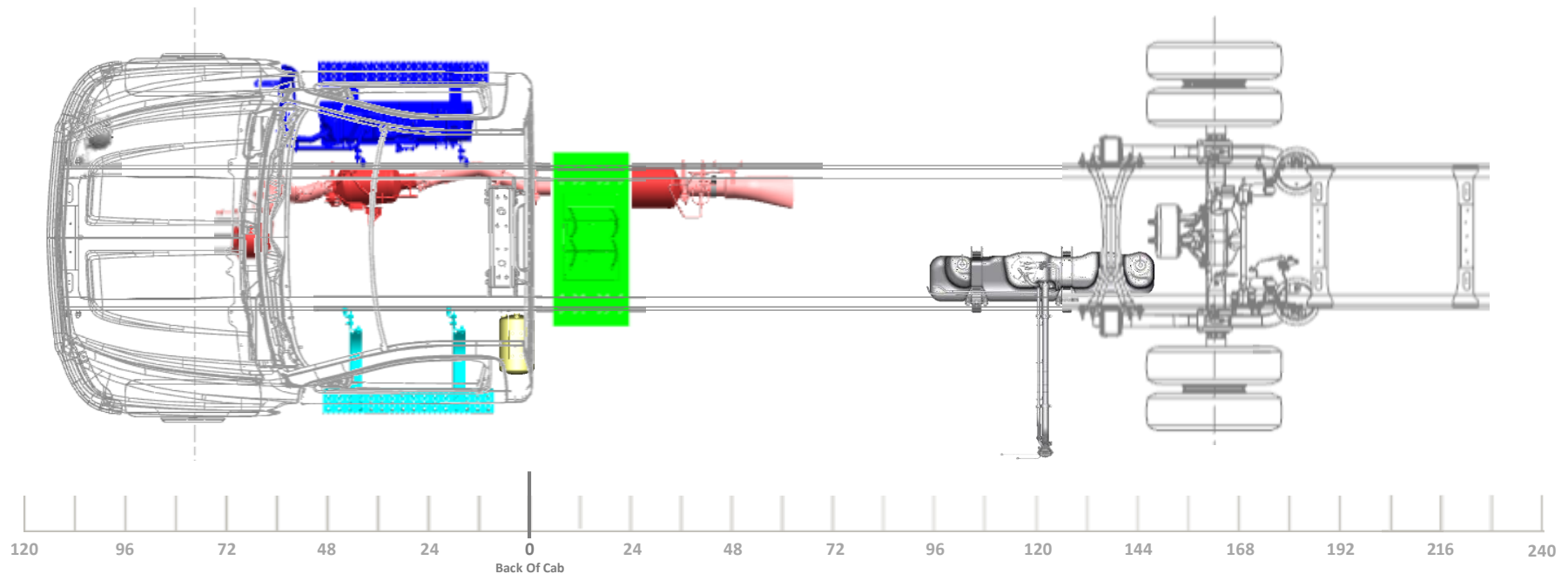
Silverado Medium Duty 4500HD/5500HD/6500HD

Model/Feature Information		General Configuration Information	Minimum Wheelbase
Model:	C56403 K56403	4X2 OR 4X4 TRUCK CONFIGURATION	243" WB (162" CA) 83" AF
Cab:	REGULAR CAB		
Aftertreatment:	HORIZONTAL	STRAIGHT TAILPIPE (RPO N12)	
Fuel Tank:	RPO NVK 25 GAL, CA MTD		
Battery Box:	RPO 7Y9 TEMP MTD, 3 BATT	OPTIONAL AIR DRYER FWD OUTSIDE RT (RPO KUT/JPY)	
Air Tanks:	(1) OUTSIDE LEFT		
DEF Tank:	6.75 GAL		
Engine:	6.6L GM DURAMAX		



Silverado Medium Duty 4500HD/5500HD/6500HD

Model/Feature Information		General Configuration Information	Minimum Wheelbase
Model:	C56403 K56403	4X2 TRUCK CONFIGURATION IROS REAR SUSPENSION	243" WB (162" CA) 83" AF
Cab:	REGULAR CAB		
Aftertreatment:	HORIZONTAL	STRAIGHT TAILPIPE (RPO N12)	
Fuel Tank:	RPO NVK 25 GAL, CA MTD		
Battery Box:	RPO 7Y9 TEMP MTD, 3 BATT	OPTIONAL AIR DRYER FWD OUTSIDE RT (RPO KUT/JPY)	
Air Tanks:	(1) OUTSIDE LEFT		
DEF Tank:	6.75 GAL		
Engine:	6.6L GM DURAMAX		

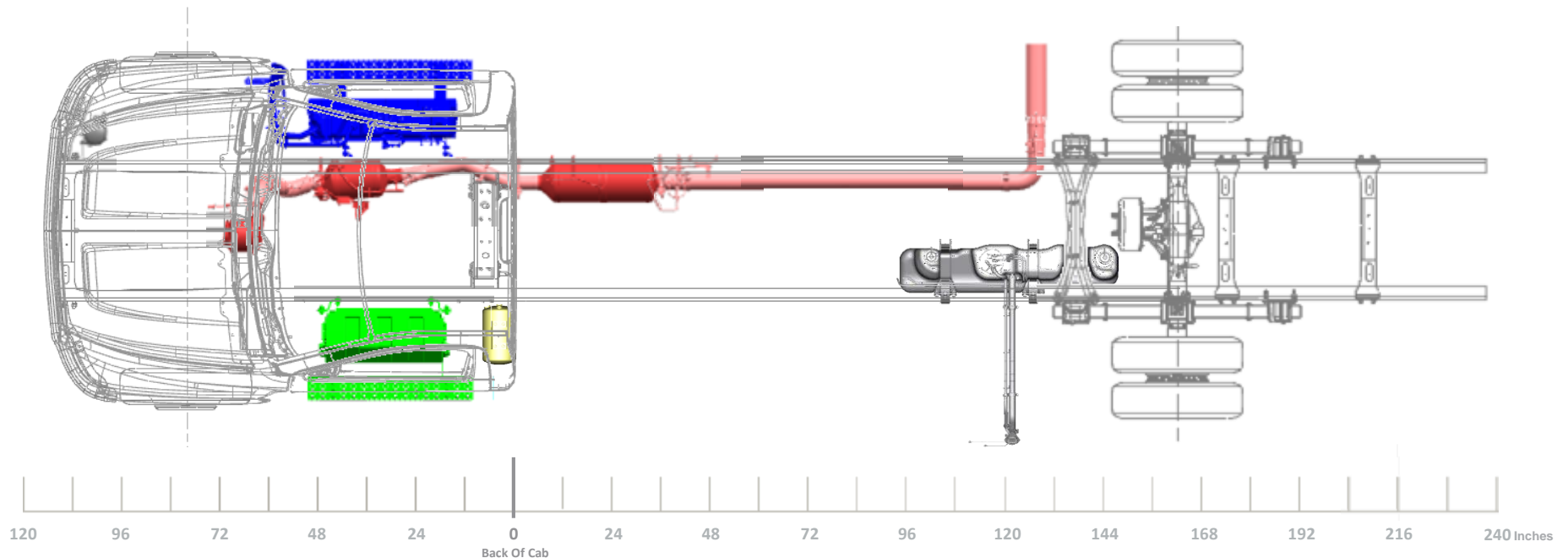


Silverado Medium Duty 4500HD/5500HD/6500HD

Model/Feature Information	
Model:	C56403 K56403
Cab:	REGULAR CAB
Aftertreatment:	HORIZONTAL
Fuel Tank:	RPO NVK 25 GAL, CA MTD
Battery Box:	RPO 7Y7/7Y8 28" STEEL, 2 BATTERIES
Air Tanks:	(1) OUTSIDE LEFT
DEF Tank:	6.75 GAL
Engine:	6.6L GM DURAMAX

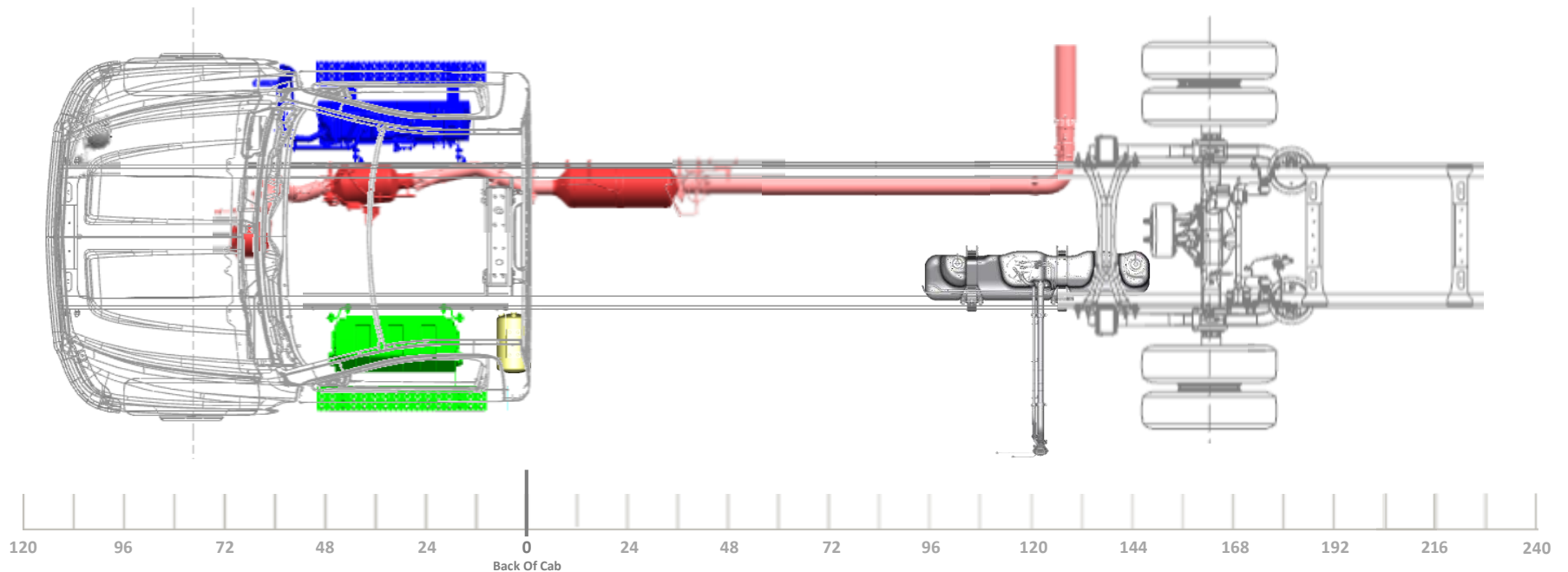
General Configuration Information
4X2 OR 4X4 TRUCK CONFIGURATION
SIDE EXIT TAILPIPE AHEAD OF REAR WHEELS, RT SIDE (RPO NPK)
OPTIONAL AIR DRYER FWD OUTSIDE RT (RPO KUT/JPY)

Minimum Wheelbase
243" WB (162" CA) 83" AF



Silverado Medium Duty 4500HD/5500HD/6500HD

Model/Feature Information		General Configuration Information	Minimum Wheelbase
Model:	C56403 K56403	4X2 TRUCK CONFIGURATION IROS REAR SUSPENSION	243" WB (162" CA) 83" AF
Cab:	REGULAR CAB		
Aftertreatment:	HORIZONTAL	SIDE EXIT TAILPIPE AHEAD OF REAR WHEELS, RT SIDE (RPO NPK)	
Fuel Tank:	RPO NVK 25 GAL, CA MTD		
Battery Box:	RPO 7Y7/7Y8 28" STEEL, 2 BATTERIES	OPTIONAL AIR DRYER FWD OUTSIDE RT (RPO KUT/JPY)	
Air Tanks:	(1) OUTSIDE LEFT		
DEF Tank:	6.75 GAL		
Engine:	6.6L GM DURAMAX		

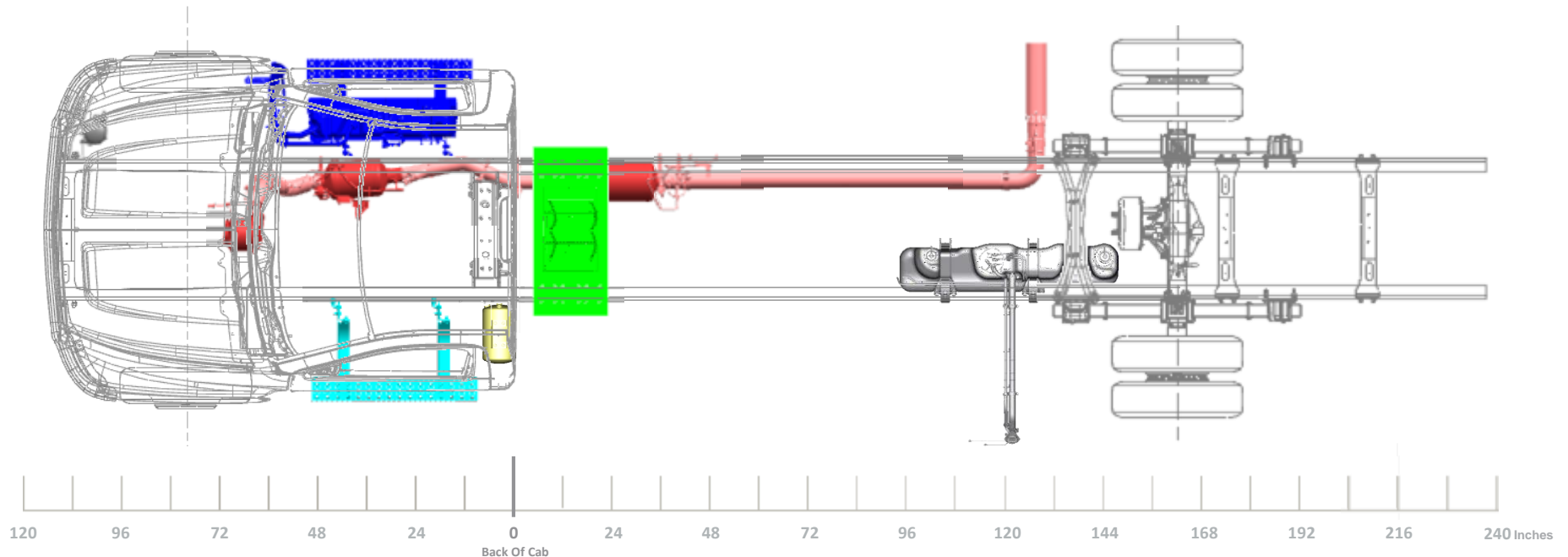


Silverado Medium Duty 4500HD/5500HD/6500HD

Model/Feature Information	
Model:	C56403 K56403
Cab:	REGULAR CAB
Aftertreatment:	HORIZONTAL
Fuel Tank:	RPO NVK 25 GAL, CA MTD
Battery Box:	RPO 7Y9 TEMP MTD, 3 BATT
Air Tanks:	(1) OUTSIDE LEFT
DEF Tank:	6.75 GAL
Engine:	6.6L GM DURAMAX

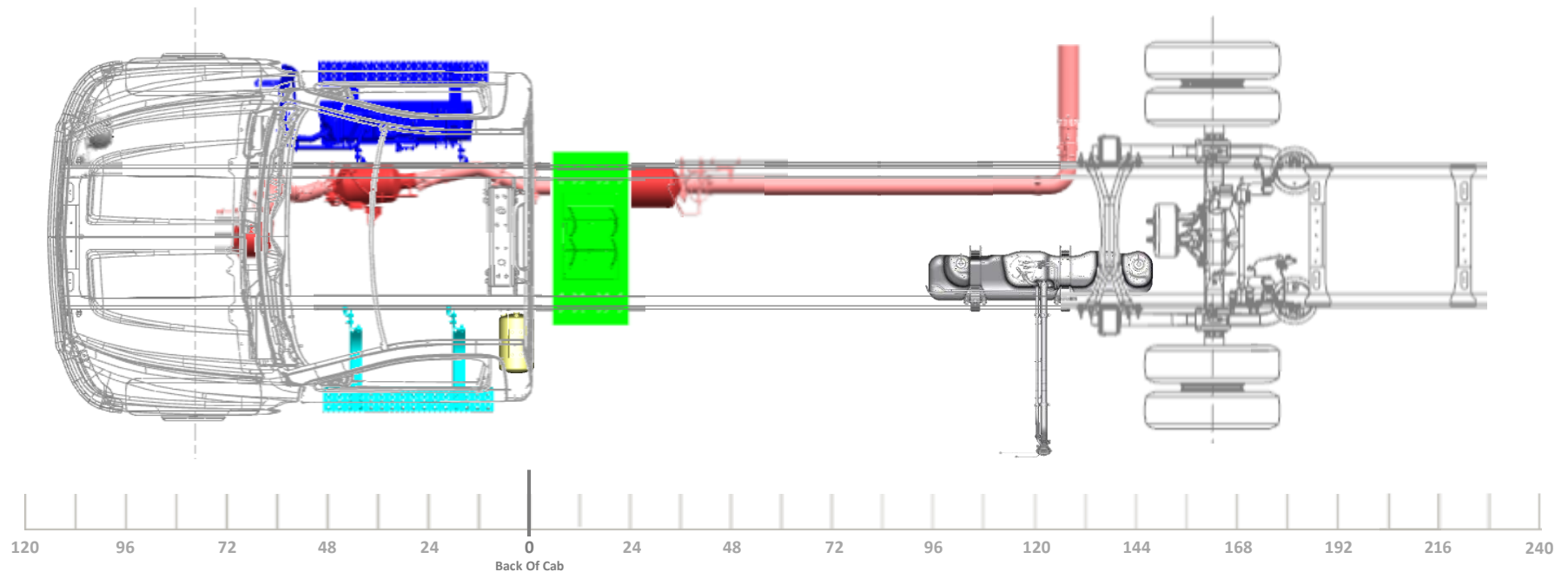
General Configuration Information
4X2 OR 4X4 TRUCK CONFIGURATION
SIDE EXIT TAILPIPE AHEAD OF REAR WHEELS, RT SIDE (RPO NPK)
OPTIONAL AIR DRYER FWD OUTSIDE RT (RPO KUT/JPY)

Minimum Wheelbase
243" WB (162" CA) 83" AF



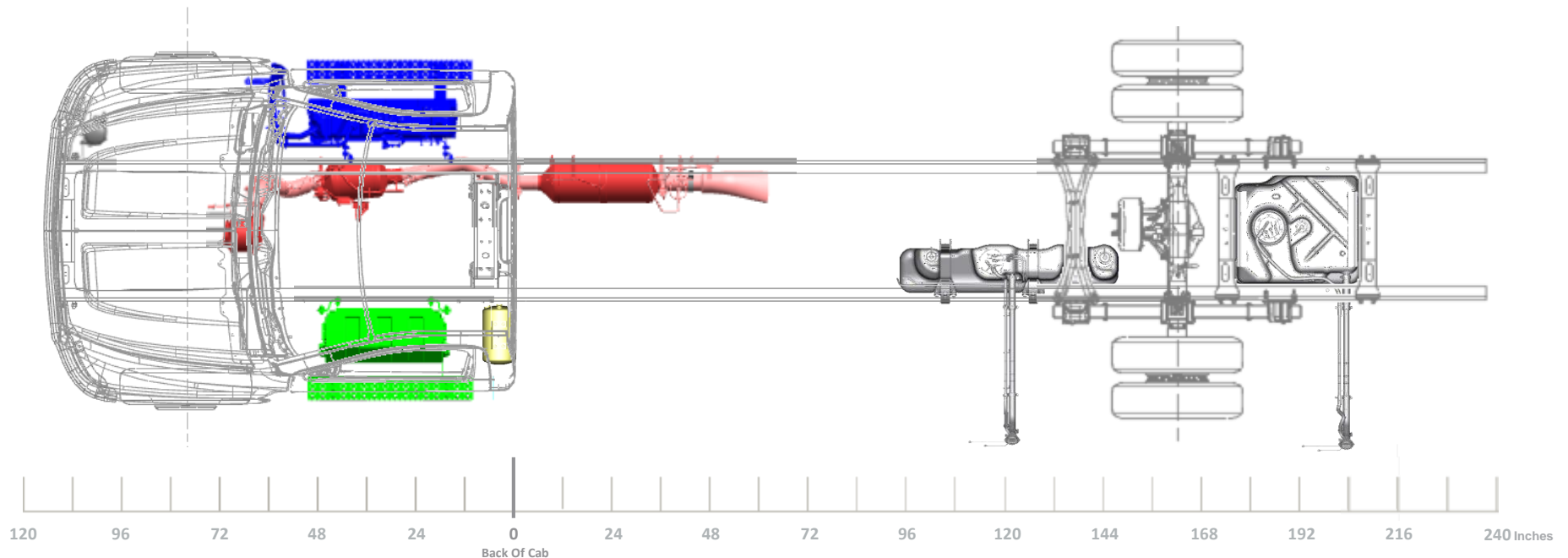
Silverado Medium Duty 4500HD/5500HD/6500HD

Model/Feature Information		General Configuration Information	Minimum Wheelbase
Model:	C56403 K56403	4X2 TRUCK CONFIGURATION IROS REAR SUSPENSION	243" WB (162" CA) 83" AF
Cab:	REGULAR CAB		
Aftertreatment:	HORIZONTAL	SIDE EXIT TAILPIPE AHEAD OF REAR WHEELS, RT SIDE (RPO NPK)	
Fuel Tank:	RPO NVK 25 GAL, CA MTD		
Battery Box:	RPO 7Y9 TEMP MTD, 3 BATT	OPTIONAL AIR DRYER FWD OUTSIDE RT (RPO KUT/JPY)	
Air Tanks:	(1) OUTSIDE LEFT		
DEF Tank:	6.75 GAL		
Engine:	6.6L GM DURAMAX		



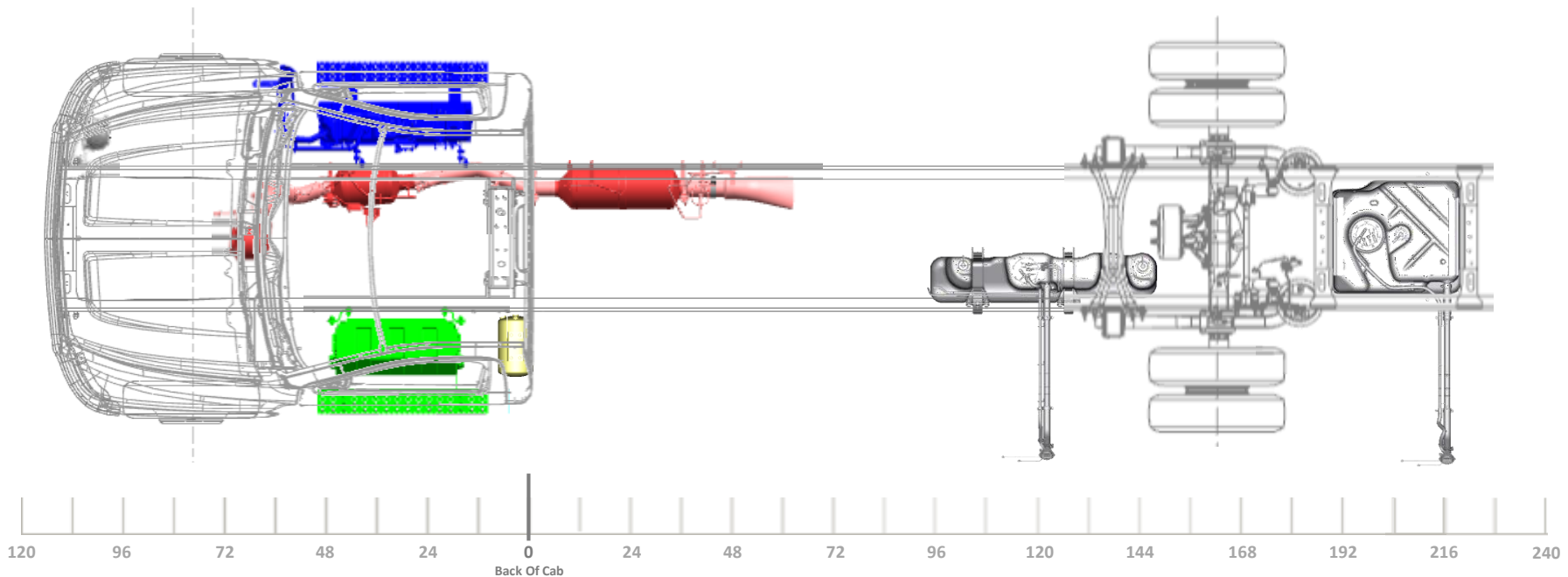
Silverado Medium Duty 4500HD/5500HD/6500HD

Model/Feature Information		General Configuration Information	Minimum Wheelbase
Model:	C56403 K56403	4X2 OR 4X4 TRUCK CONFIGURATION	243" WB (162" CA) 83" AF
Cab:	REGULAR CAB		
Aftertreatment:	HORIZONTAL	STRAIGHT TAILPIPE (RPO N12)	
Fuel Tank:	RPO NSQ DUAL 25G CA, 40G AF		
Battery Box:	RPO 7Y7/7Y8 28" STEEL, 2 BATTERIES	OPTIONAL AIR DRYER FWD OUTSIDE RT (RPO KUT/JPY)	
Air Tanks:	(1) OUTSIDE LEFT		
DEF Tank:	6.75 GAL		
Engine:	6.6L GM DURAMAX		



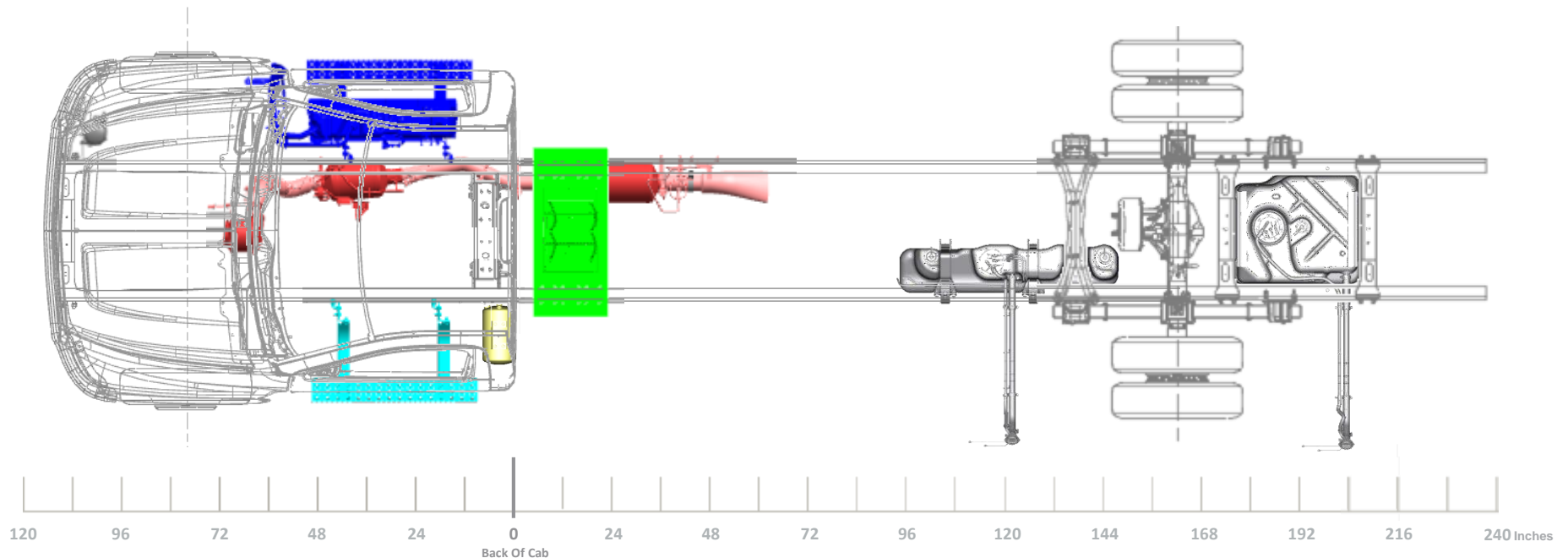
Silverado Medium Duty 4500HD/5500HD/6500HD

Model/Feature Information		General Configuration Information	Minimum Wheelbase
Model:	C56403 K56403	4X2 TRUCK CONFIGURATION IROS REAR SUSPENSION	243" WB (162" CA) 83" AF
Cab:	REGULAR CAB		
Aftertreatment:	HORIZONTAL	STRAIGHT TAILPIPE (RPO N12)	
Fuel Tank:	RPO NSQ DUAL 25G CA, 40G AF		
Battery Box:	RPO 7Y7/7Y8 28" STEEL, 2 BATTERIES	OPTIONAL AIR DRYER FWD OUTSIDE RT (RPO KUT/JPY)	
Air Tanks:	(1) OUTSIDE LEFT		
DEF Tank:	6.75 GAL		
Engine:	6.6L GM DURAMAX		



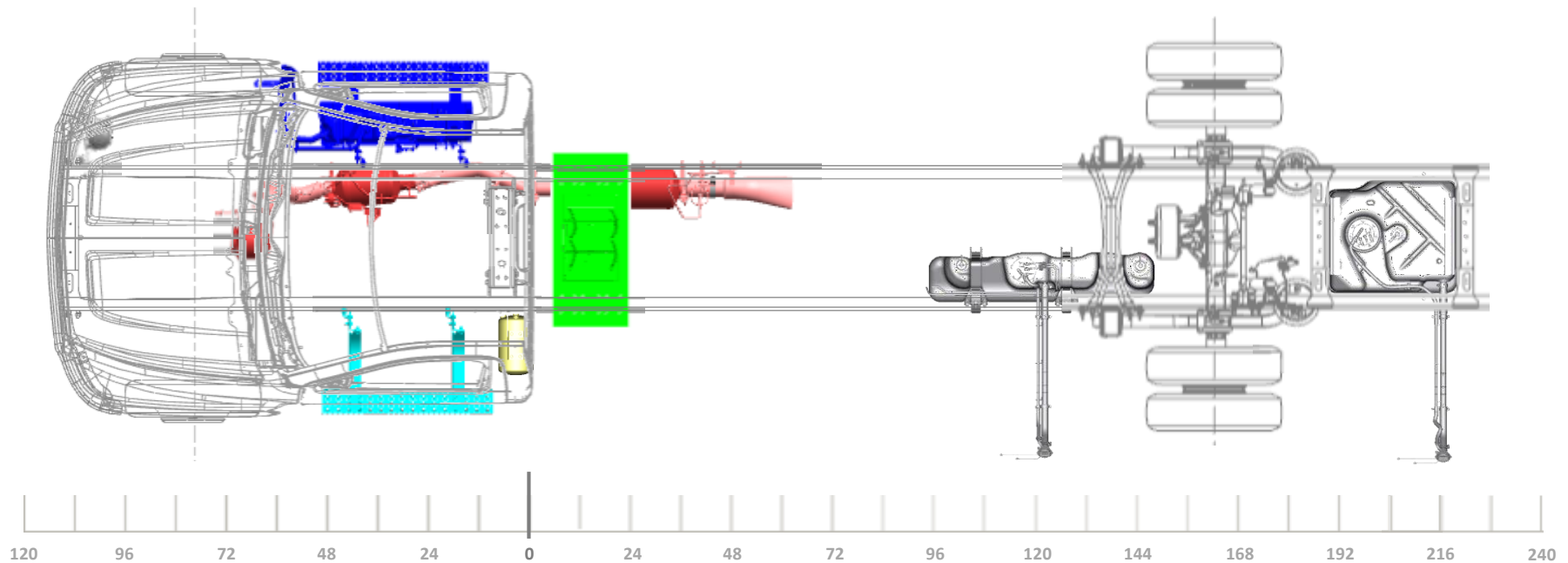
Silverado Medium Duty 4500HD/5500HD/6500HD

Model/Feature Information		General Configuration Information	Minimum Wheelbase
Model:	C56403 K56403	4X2 OR 4X4 TRUCK CONFIGURATION	243" WB (162" CA) 83" AF
Cab:	REGULAR CAB		
Aftertreatment:	HORIZONTAL	STRAIGHT TAILPIPE (RPO N12)	
Fuel Tank:	RPO NSQ DUAL 25G CA, 40G AF		
Battery Box:	RPO 7Y9 TEMP MTD, 3 BATT	OPTIONAL AIR DRYER FWD OUTSIDE RT (RPO KUT/JPY)	
Air Tanks:	(1) OUTSIDE LEFT		
DEF Tank:	6.75 GAL		
Engine:	6.6L GM DURAMAX		



Silverado Medium Duty 4500HD/5500HD/6500HD

Model/Feature Information		General Configuration Information	Minimum Wheelbase
Model:	C56403 K56403	4X2 TRUCK CONFIGURATION IROS REAR SUSPENSION	243" WB (162" CA) 83" AF
Cab:	REGULAR CAB		
Aftertreatment:	HORIZONTAL	STRAIGHT TAILPIPE (RPO N12)	
Fuel Tank:	RPO NSQ DUAL 25G CA, 40G AF		
Battery Box:	RPO 7Y9 TEMP MTD, 3 BATT	OPTIONAL AIR DRYER FWD OUTSIDE RT (RPO KUT/JPY)	
Air Tanks:	(1) OUTSIDE LEFT		
DEF Tank:	6.75 GAL		
Engine:	6.6L GM DURAMAX		

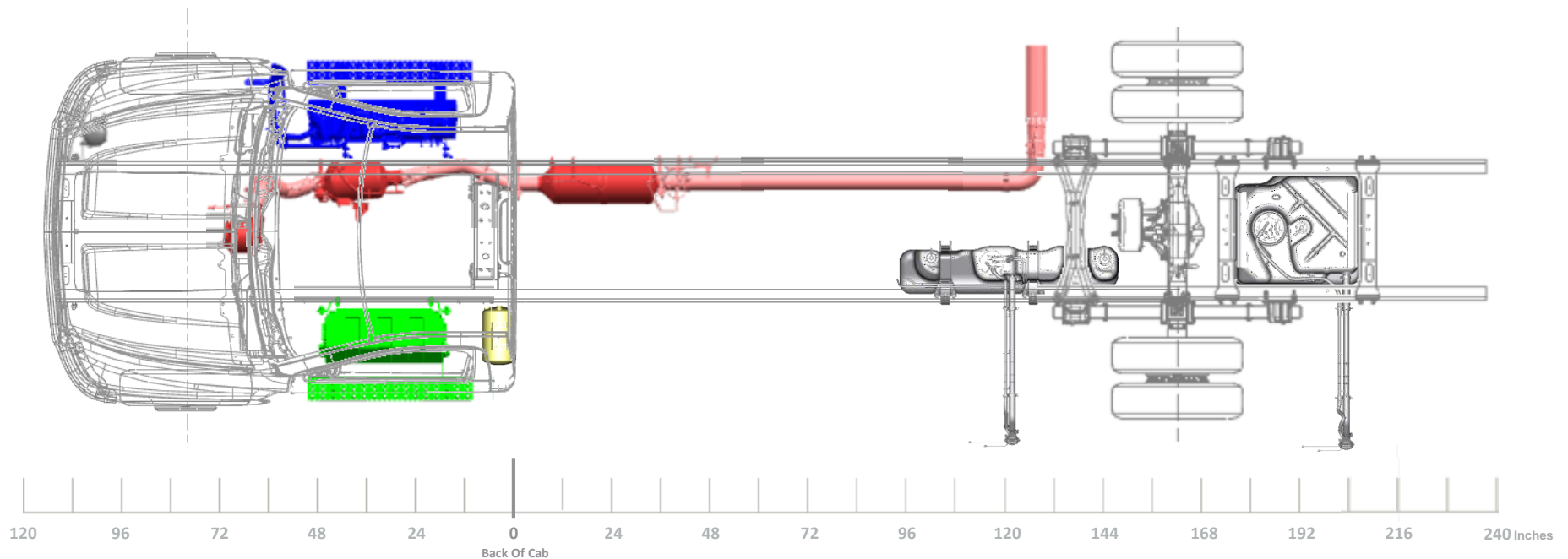


Silverado Medium Duty 4500HD/5500HD/6500HD

Model/Feature Information	
Model:	C56403 K56403
Cab:	REGULAR CAB
Aftertreatment:	HORIZONTAL
Fuel Tank:	RPO NSQ DUAL 25G CA, 40G AF
Battery Box:	RPO 7Y7/7Y8 28" STEEL, 2 BATTERIES
Air Tanks:	(1) OUTSIDE LEFT
DEF Tank:	6.75 GAL
Engine:	6.6L GM DURAMAX

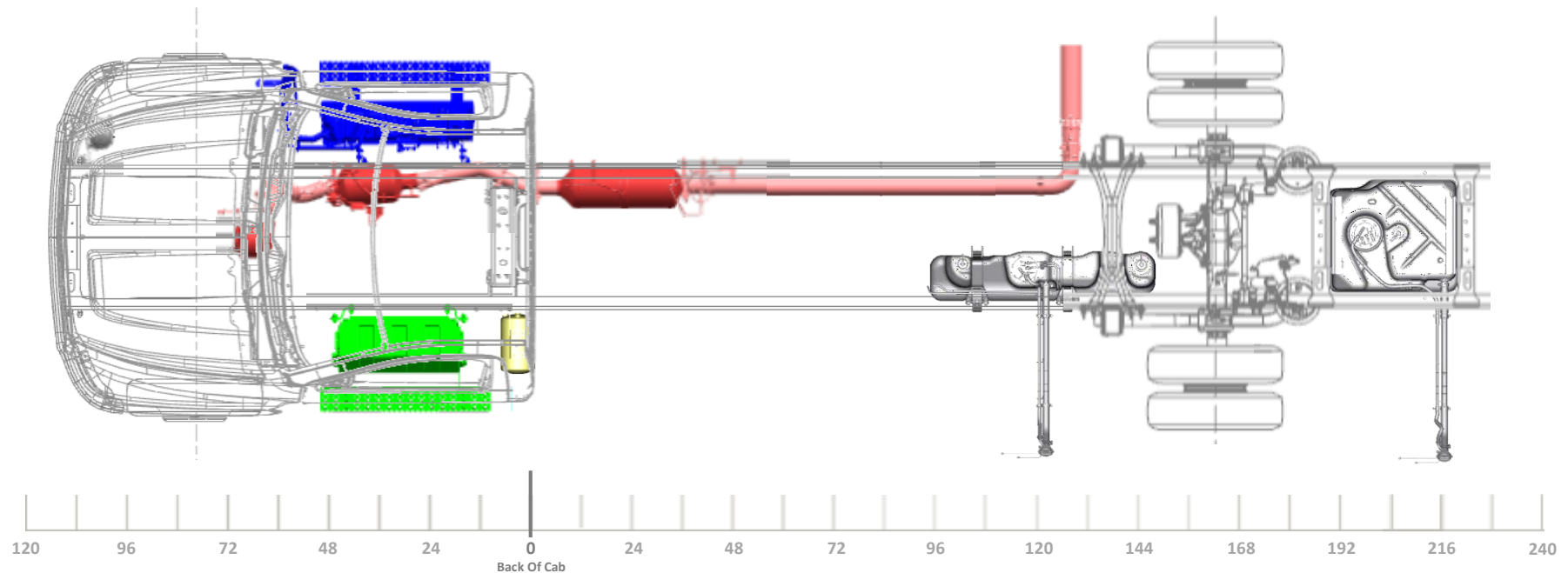
General Configuration Information
4X2 OR 4X4 TRUCK CONFIGURATION
SIDE EXIT TAILPIPE AHEAD OF REAR WHEELS, RT SIDE (RPO NPK)
OPTIONAL AIR DRYER FWD OUTSIDE RT (RPO KUT/JPY)

Minimum Wheelbase
243" WB (162" CA) 83" AF



Silverado Medium Duty 4500HD/5500HD/6500HD

Model/Feature Information		General Configuration Information	Minimum Wheelbase
Model:	C56403 K56403	4X2 TRUCK CONFIGURATION IROS REAR SUSPENSION	243" WB (162" CA) 83" AF
Cab:	REGULAR CAB		
Aftertreatment:	HORIZONTAL	SIDE EXIT TAILPIPE AHEAD OF REAR WHEELS, RT SIDE (RPO NPK)	
Fuel Tank:	RPO NSQ DUAL 25G CA, 40G AF		
Battery Box:	RPO 7Y7/7Y8 28" STEEL, 2 BATTERIES	OPTIONAL AIR DRYER FWD OUTSIDE RT (RPO KUT/JPY)	
Air Tanks:	(1) OUTSIDE LEFT		
DEF Tank:	6.75 GAL		
Engine:	6.6L GM DURAMAX		

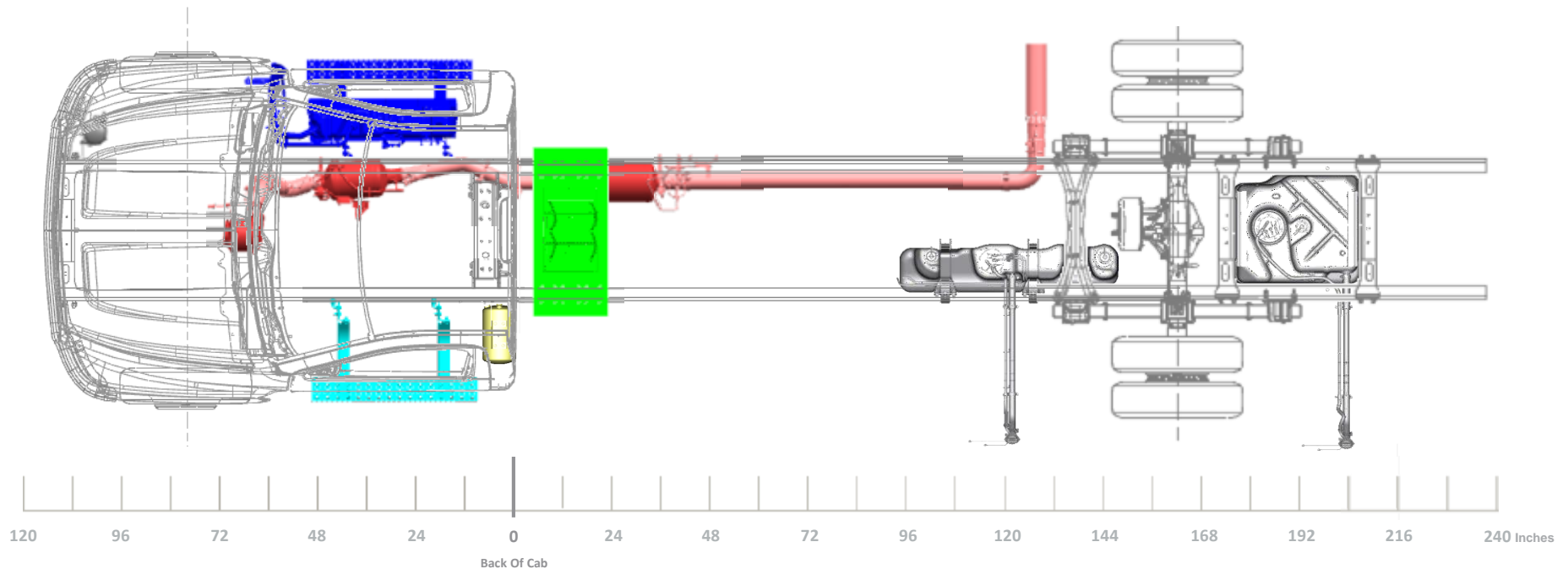


Silverado Medium Duty 4500HD/5500HD/6500HD

Model/Feature Information	
Model:	C56403 K56403
Cab:	REGULAR CAB
Aftertreatment:	HORIZONTAL
Fuel Tank:	RPO NSQ DUAL 25G CA, 40G AF
Battery Box:	RPO 7Y9 TEMP MTD, 3 BATT
Air Tanks:	(1) OUTSIDE LEFT
DEF Tank:	6.75 GAL
Engine:	6.6L GM DURAMAX

General Configuration Information
4X2 OR 4X4 TRUCK CONFIGURATION
SIDE EXIT TAILPIPE AHEAD OF REAR WHEELS, RT SIDE (RPO NPK)
OPTIONAL AIR DRYER FWD OUTSIDE RT (RPO KUT/JPY)

Minimum Wheelbase
243" WB (162" CA) 83" AF

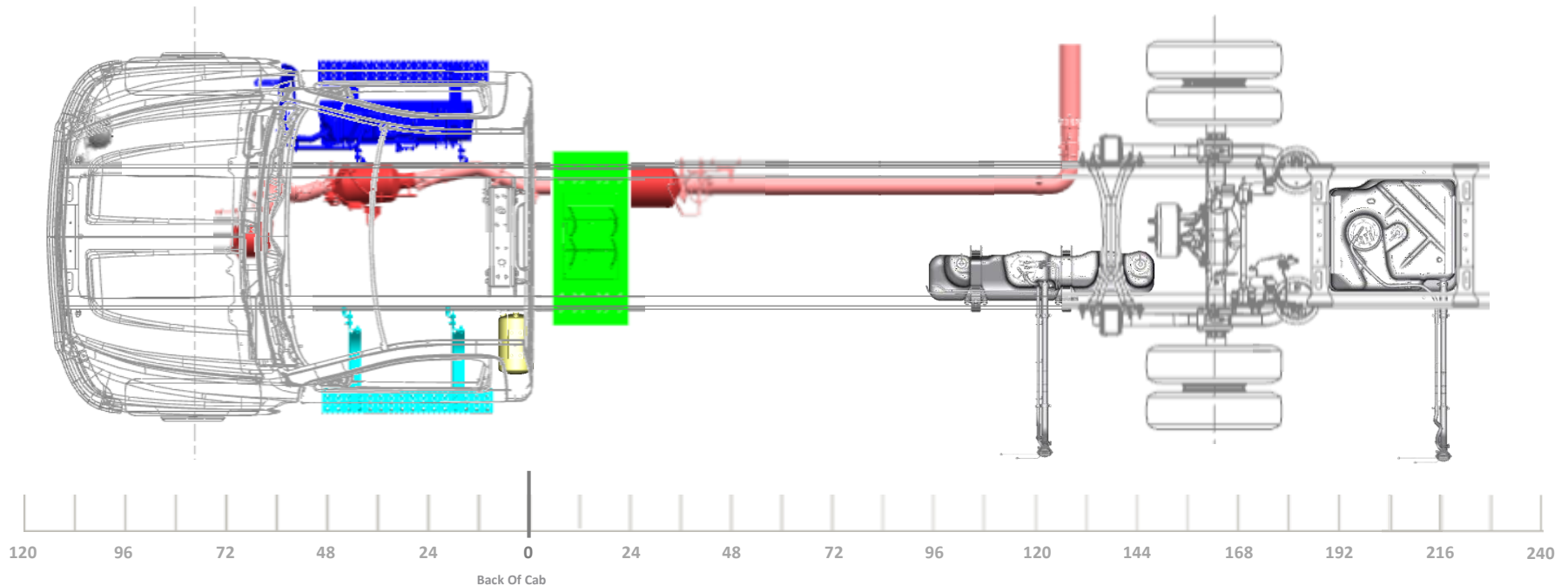


Silverado Medium Duty 4500HD/5500HD/6500HD

Model/Feature Information	
Model:	C56403 K56403
Cab:	REGULAR CAB
Aftertreatment:	HORIZONTAL
Fuel Tank:	RPO NSQ DUAL 25G CA, 40G AF
Battery Box:	RPO 7Y9 TEMP MTD, 3 BATT
Air Tanks:	(1) OUTSIDE LEFT
DEF Tank:	6.75 GAL
Engine:	6.6L GM DURAMAX

General Configuration Information
4X2 OR 4X4 TRUCK CONFIGURATION VARI-RATE REAR SUSPENSION
SIDE EXIT TAILPIPE AHEAD OF REAR WHEELS, RT SIDE (RPO NPK)
OPTIONAL AIR DRYER FWD OUTSIDE RT (RPO KUT/JPY)

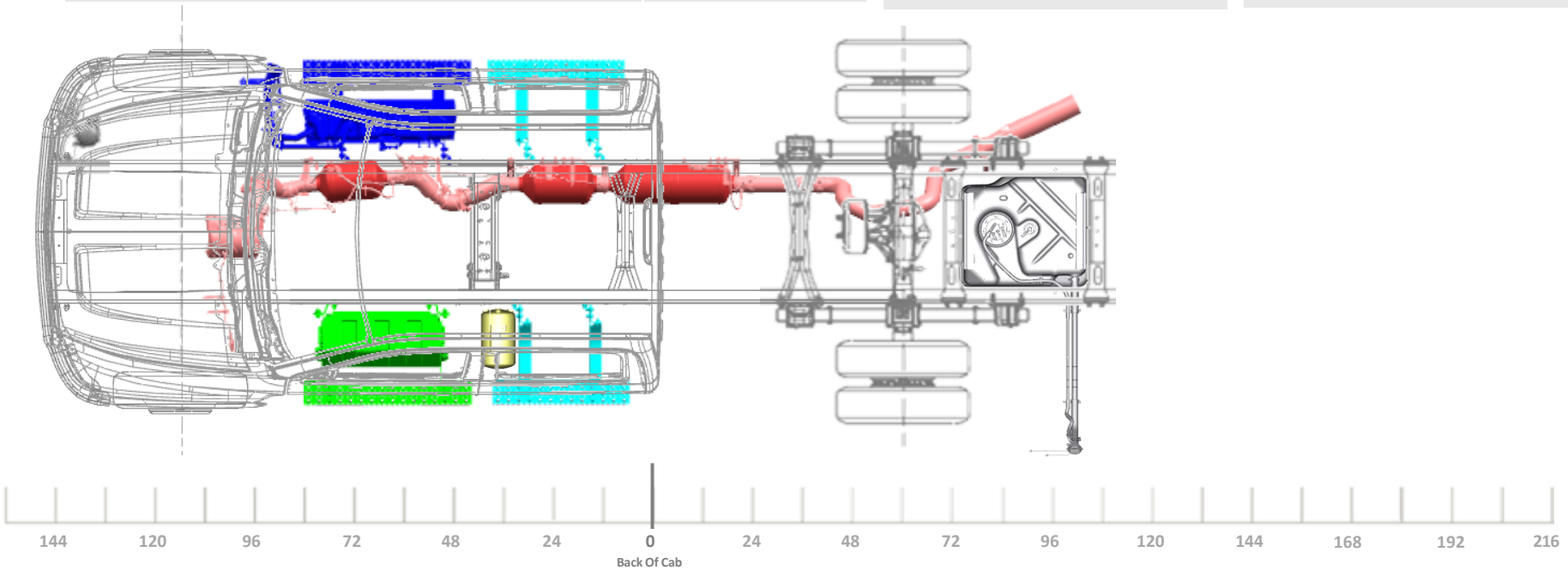
Minimum Wheelbase
243" WB (162" CA) 83" AF



Crew Cab – 175” WB

Silverado Medium Duty 4500HD/5500HD/6500HD

Model/Feature Information		General Configuration Information	Minimum Wheelbase
Model:	C56043 K56043	4X2 OR 4X4 TRUCK CONFIGURATION	175" WB (60" CA) 49" AF
Cab:	CREW CAB		
Aftertreatment:	HORIZONTAL	STRAIGHT TAILPIPE (RPO N12)	
Fuel Tank:	RPO N2L 40 GAL, AF MTD		
Battery Box:	RPO 7Y7/7Y8 28" STEEL, 2 BATTERIES	OPTIONAL AIR DRYER FWD OUTSIDE RT (RPO KUT/JPY)	
Air Tanks:	(1) OUTSIDE LEFT		
DEF Tank:	6.75 GAL		
Engine:	6.6L GM DURAMAX		

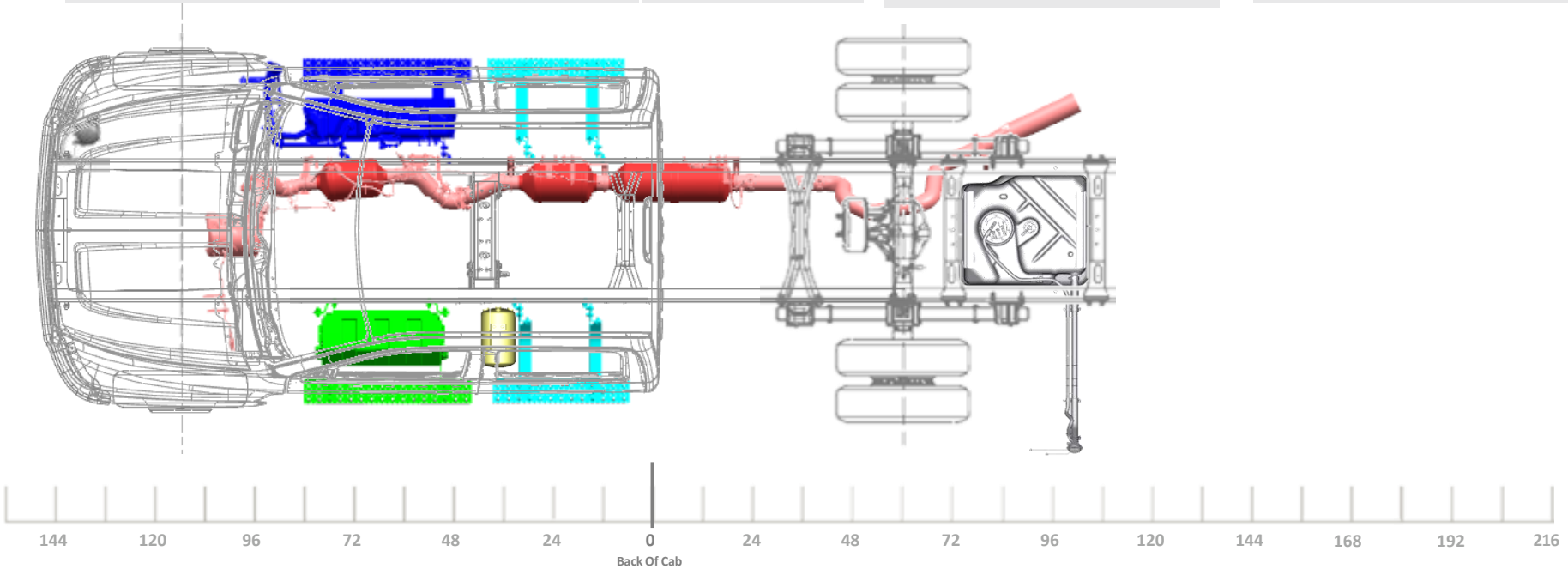


Silverado Medium Duty 4500HD/5500HD/6500HD

Model/Feature Information	
Model:	C56043 K56043
Cab:	CREW CAB
Aftertreatment:	HORIZONTAL
Fuel Tank:	RPO N2L 40 GAL, AF MTD
Battery Box:	RPO 7Y9 TEMP MTD, 3 BATT
Air Tanks:	(1) OUTSIDE LEFT
DEF Tank:	6.75 GAL
Engine:	6.6L GM DURAMAX

General Configuration Information
4X2 OR 4X4 TRUCK CONFIGURATION
STRAIGHT TAILPIPE (RPO N12)
OPTIONAL AIR DRYER FWD OUTSIDE RT (RPO KUT/JPY)

Minimum Wheelbase
175" WB (60" CA) 49" AF

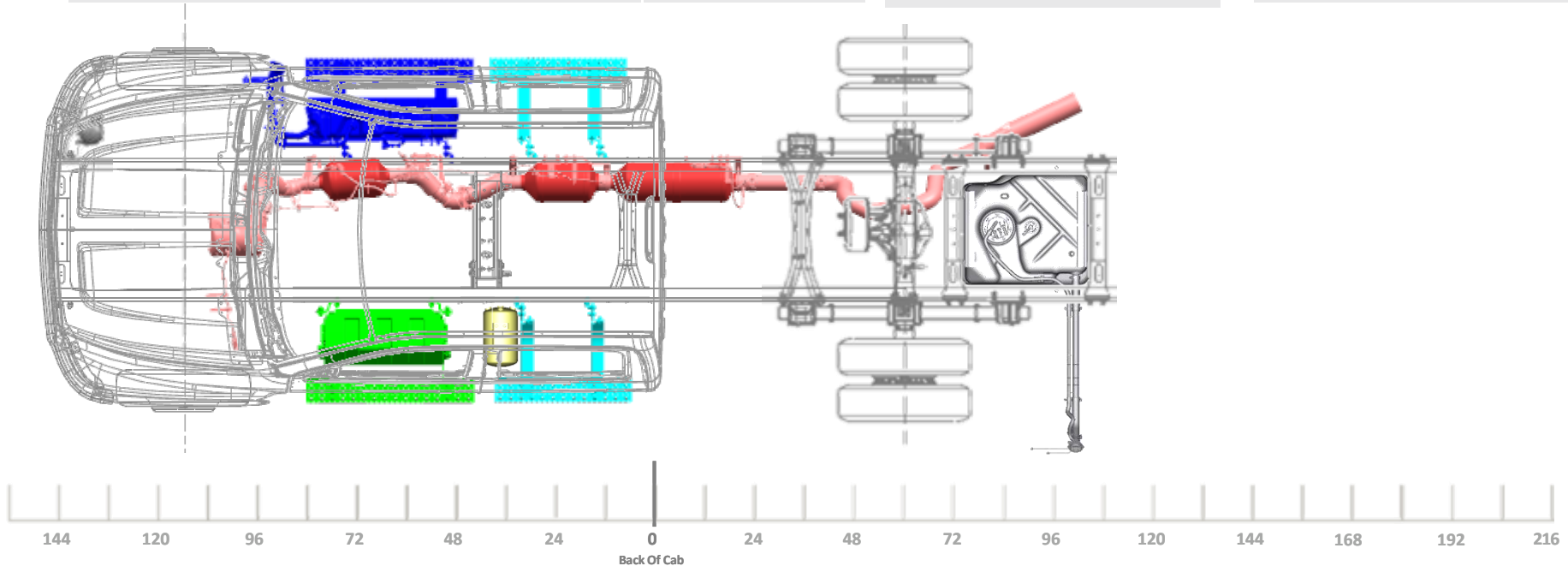


Silverado Medium Duty 4500HD/5500HD/6500HD

Model/Feature Information	
Model:	C56043 K56043
Cab:	CREW CAB
Aftertreatment:	HORIZONTAL
Fuel Tank:	RPO N2L 40 GAL, AF MTD
Battery Box:	RPO 7Y7/7Y8 28" STEEL, 2 BATTERIES
Air Tanks:	(1) OUTSIDE LEFT
DEF Tank:	6.75 GAL
Engine:	6.6L GM DURAMAX

General Configuration Information
4X2 OR 4X4 TRUCK CONFIGURATION
SIDE EXIT TAILPIPE AHEAD OF REAR WHEELS, LT SIDE (RPO NPJ)
OPTIONAL AIR DRYER FWD OUTSIDE RT (RPO KUT/JPY)

Minimum Wheelbase
175" WB (60" CA) 49" AF

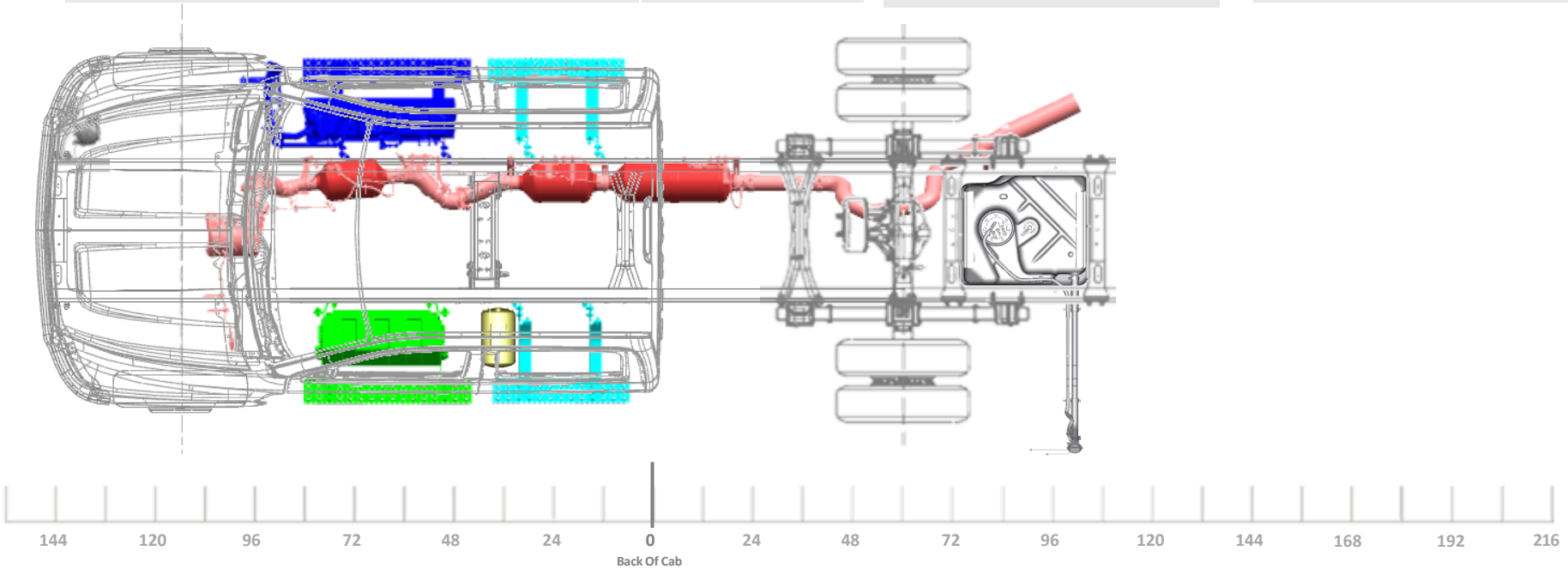


Silverado Medium Duty 4500HD/5500HD/6500HD

Model/Feature Information	
Model:	C56043 K56043
Cab:	CREW CAB
Aftertreatment:	HORIZONTAL
Fuel Tank:	RPO N2L 40 GAL, AF MTD
Battery Box:	RPO 7Y9 TEMP MTD, 3 BATT
Air Tanks:	(1) OUTSIDE LEFT
DEF Tank:	6.75 GAL
Engine:	6.6L GM DURAMAX

General Configuration Information
4X2 OR 4X4 TRUCK CONFIGURATION
SIDE EXIT TAILPIPE AHEAD OF REAR WHEELS, LT SIDE (RPO NPJ)
OPTIONAL AIR DRYER FWD OUTSIDE RT (RPO KUT/JPY)

Minimum Wheelbase
175" WB (60" CA) 49" AF

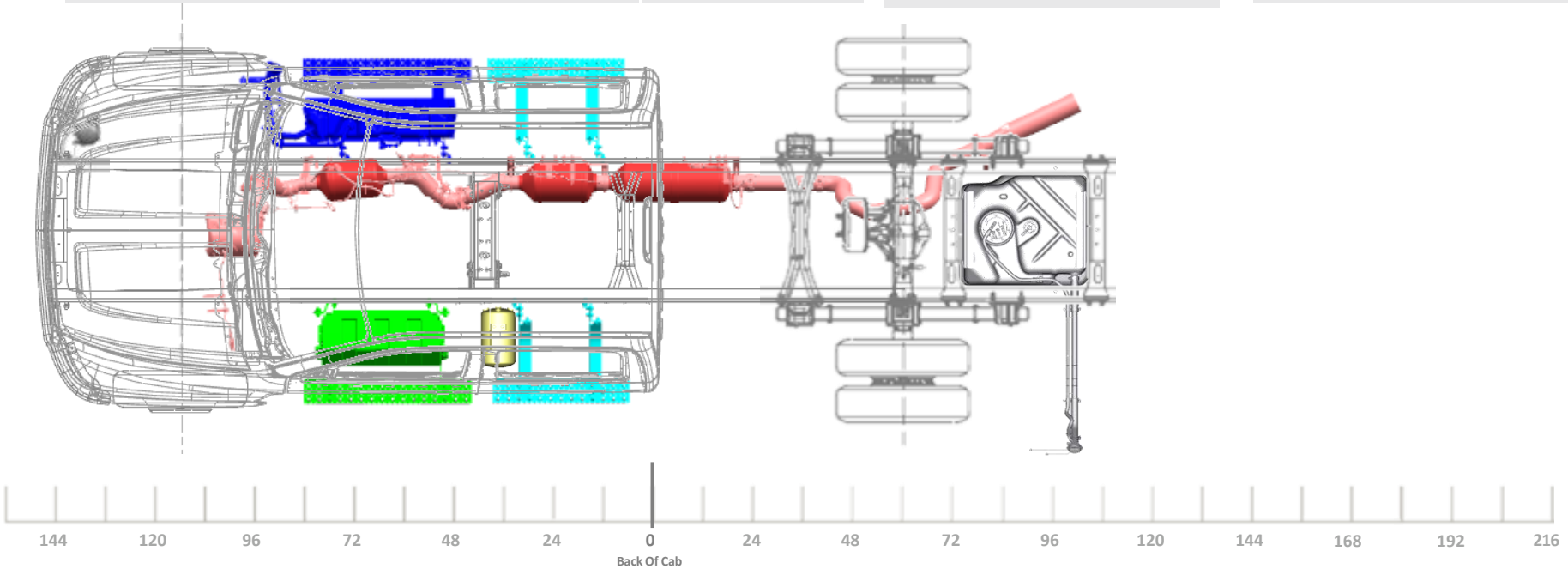


Silverado Medium Duty 4500HD/5500HD/6500HD

Model/Feature Information	
Model:	C56043 K56043
Cab:	CREW CAB
Aftertreatment:	HORIZONTAL
Fuel Tank:	RPO N2L 40 GAL, AF MTD
Battery Box:	RPO 7Y7/7Y8 28" STEEL, 2 BATTERIES
Air Tanks:	(1) OUTSIDE LEFT
DEF Tank:	6.75 GAL
Engine:	6.6L GM DURAMAX

General Configuration Information
SIDE EXIT TAILPIPE AHEAD OF REAR WHEELS, RT SIDE (07WDU)
SIDE EXIT TAILPIPE AHEAD OF REAR WHEELS, RT SIDE (RPO NPK)
OPTIONAL AIR DRYER FWD OUTSIDE RT (RPO KUT/JPY)

Minimum Wheelbase
175" WB (60" CA) 49" AF

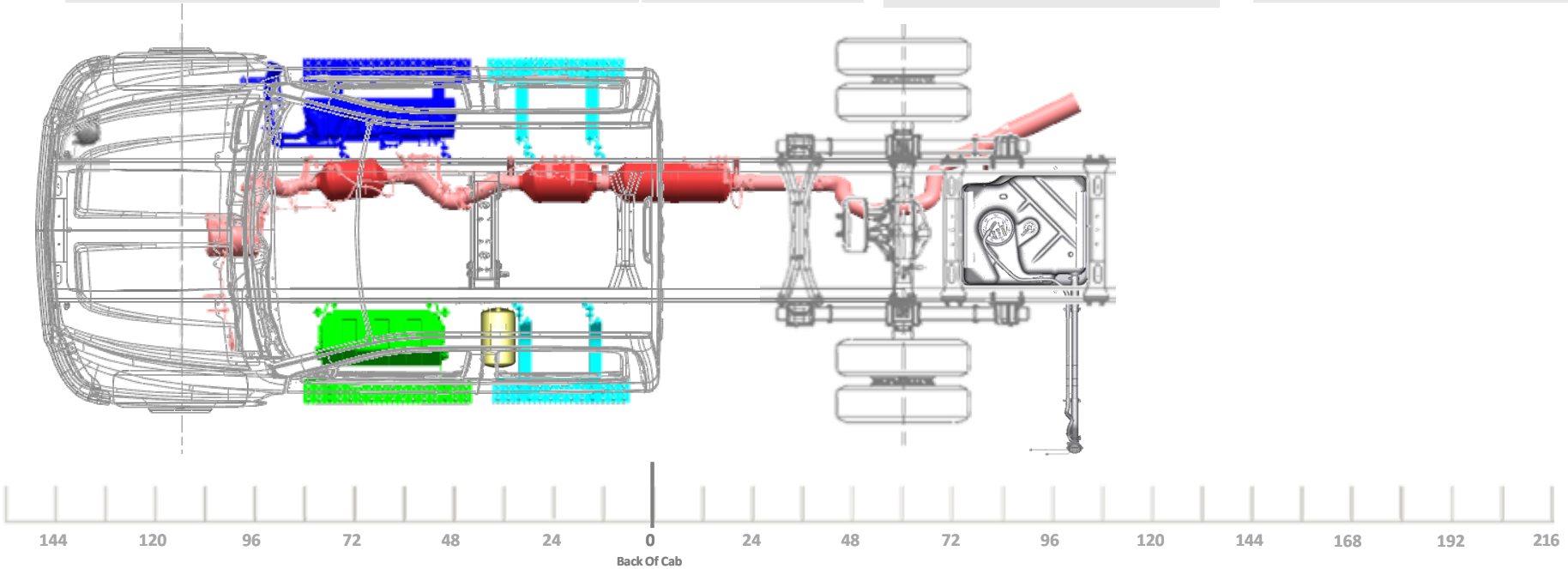


Silverado Medium Duty 4500HD/5500HD/6500HD

Model/Feature Information	
Model:	C56043 K56043
Cab:	CREW CAB
Aftertreatment:	HORIZONTAL
Fuel Tank:	RPO N2L 40 GAL, AF MTD
Battery Box:	RPO 7Y9 TEMP MTD, 3 BATT
Air Tanks:	(1) OUTSIDE LEFT
DEF Tank:	6.75 GAL
Engine:	6.6L GM DURAMAX

General Configuration Information
SIDE EXIT TAILPIPE AHEAD OF REAR WHEELS, RT SIDE (07WDU)
SIDE EXIT TAILPIPE AHEAD OF REAR WHEELS, RT SIDE (RPO NPK)
OPTIONAL AIR DRYER FWD OUTSIDE RT (RPO KUT/JPY)

Minimum Wheelbase
175" WB (60" CA) 49" AF

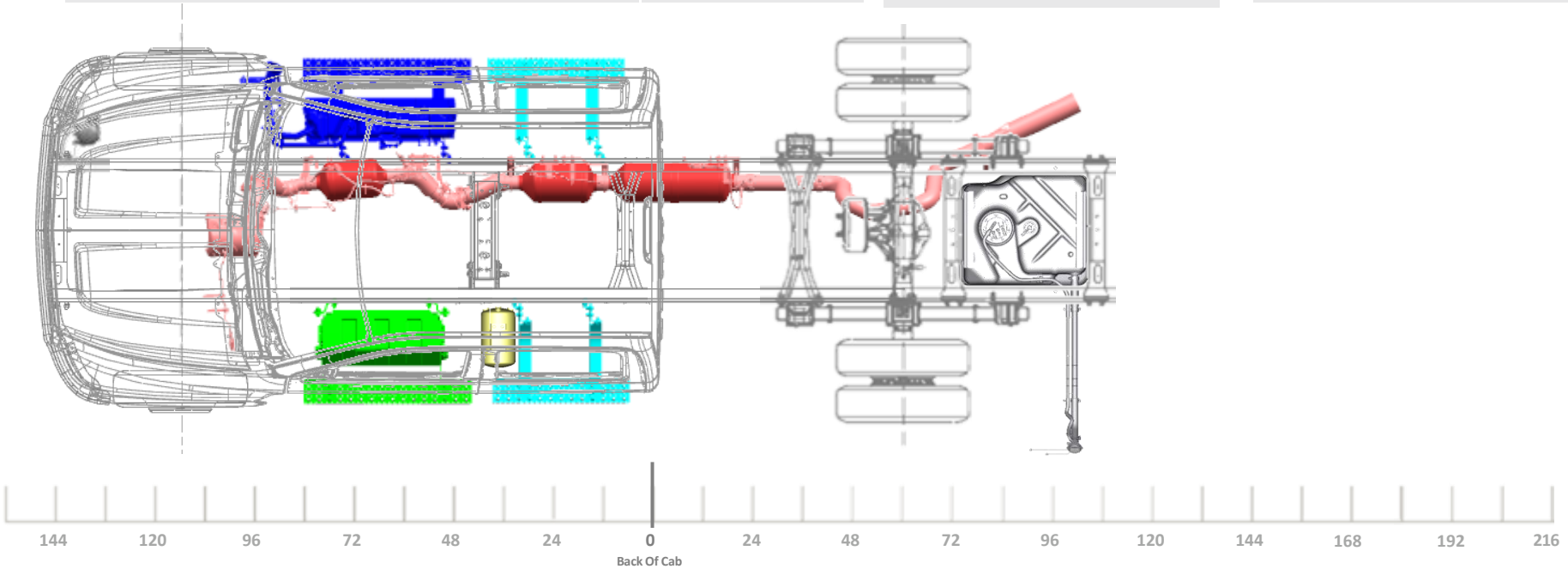


Silverado Medium Duty 4500HD/5500HD/6500HD

Model/Feature Information	
Model:	C56043 K56043
Cab:	CREW CAB
Aftertreatment:	HORIZONTAL
Fuel Tank:	RPO NVK 25 GAL, CA MTD
Battery Box:	RPO 7Y7/7Y8 28" STEEL, 2 BATTERIES
Air Tanks:	(1) OUTSIDE LEFT
DEF Tank:	6.75 GAL
Engine:	6.6L GM DURAMAX

General Configuration Information
4X2 OR 4X4 TRUCK CONFIGURATION
STRAIGHT TAILPIPE (RPO N12)
OPTIONAL AIR DRYER FWD OUTSIDE RT (RPO KUT/JPY)

Minimum Wheelbase
175" WB (60" CA) 49" AF

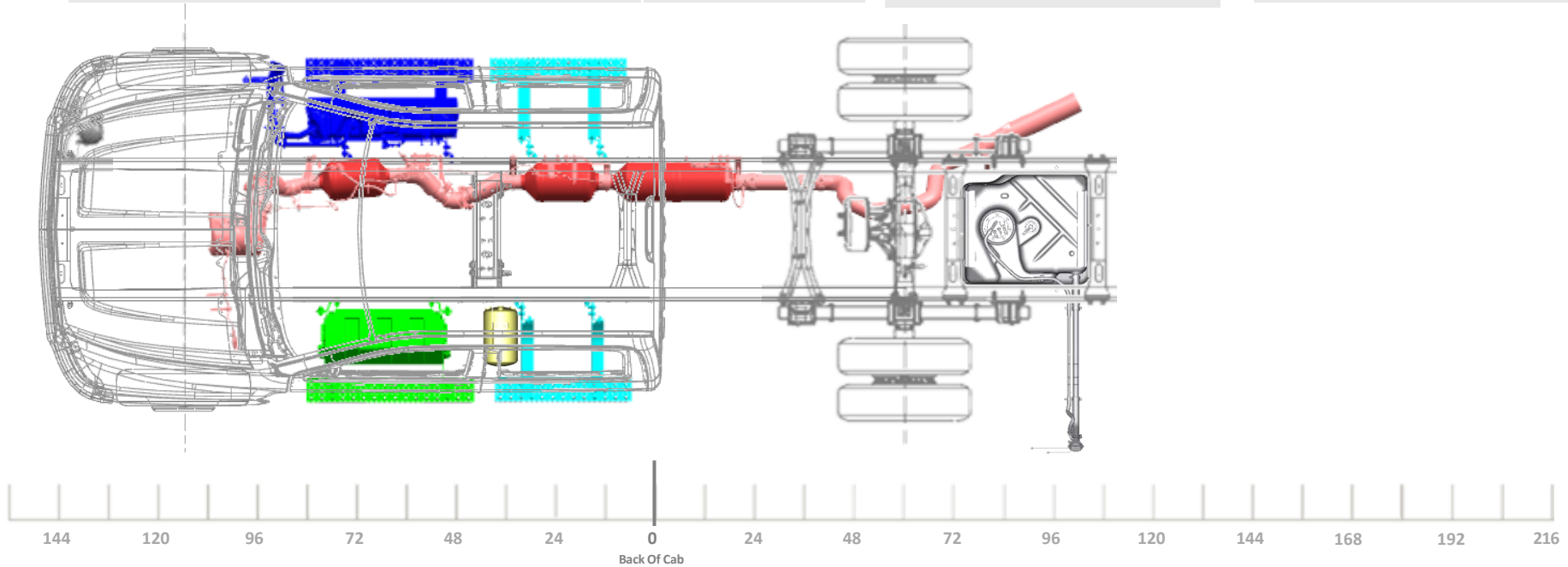


Silverado Medium Duty 4500HD/5500HD/6500HD

Model/Feature Information	
Model:	C56043 K56043
Cab:	CREW CAB
Aftertreatment:	HORIZONTAL
Fuel Tank:	RPO NVK 25 GAL, CA MTD
Battery Box:	RPO 7Y7/7Y8 28" STEEL, 2 BATTERIES
Air Tanks:	(1) OUTSIDE LEFT
DEF Tank:	6.75 GAL
Engine:	6.6L GM DURAMAX

General Configuration Information
SIDE EXIT TAILPIPE AHEAD OF REAR WHEELS, RT SIDE (07WDU)
SIDE EXIT TAILPIPE AHEAD OF REAR WHEELS, RT SIDE (RPO NPK)
OPTIONAL AIR DRYER FWD OUTSIDE RT (RPO KUT/JPY)

Minimum Wheelbase
175" WB (60" CA) 49" AF

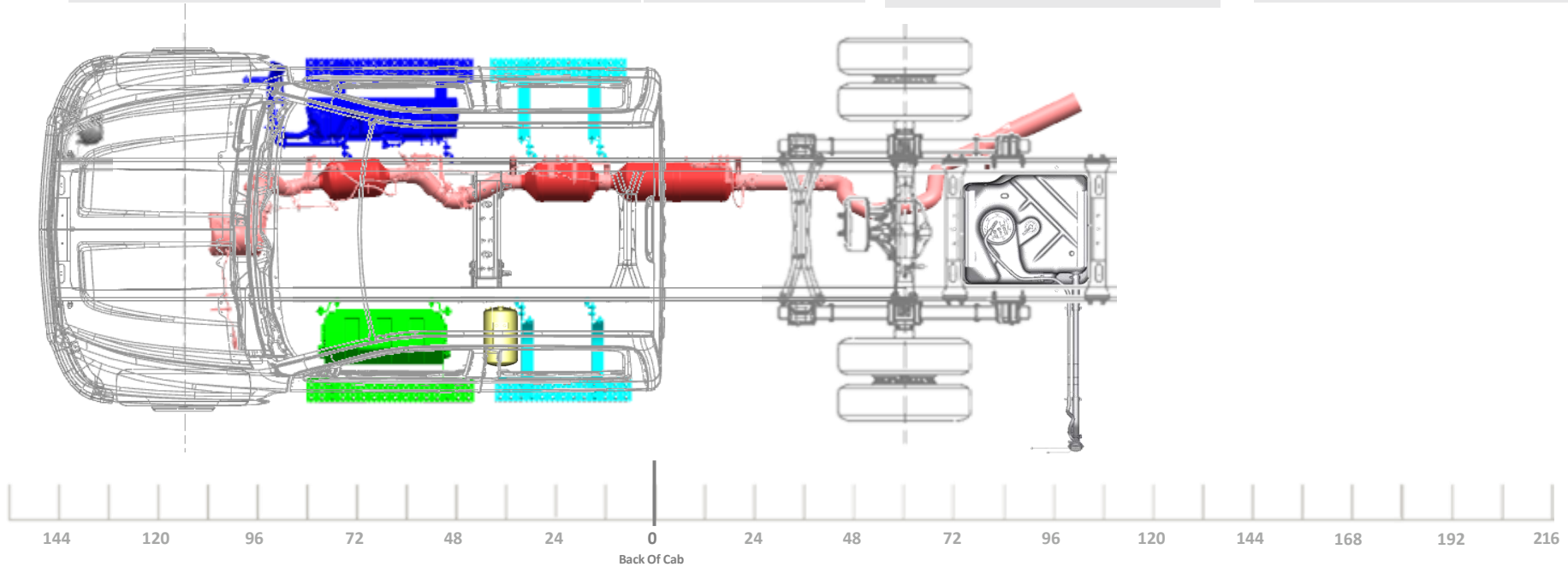


Silverado Medium Duty 4500HD/5500HD/6500HD

Model/Feature Information	
Model:	C56043 K56043
Cab:	CREW CAB
Aftertreatment:	HORIZONTAL
Fuel Tank:	RPO NSQ DUAL 25G CA, 40G AF
Battery Box:	RPO 7Y7/7Y8 28" STEEL, 2 BATTERIES
Air Tanks:	(1) OUTSIDE LEFT
DEF Tank:	6.75 GAL
Engine:	6.6L GM DURAMAX

General Configuration Information
4X2 OR 4X4 TRUCK CONFIGURATION
STRAIGHT TAILPIPE (RPO N12)
OPTIONAL AIR DRYER FWD OUTSIDE RT (RPO KUT/JPY)

Minimum Wheelbase
175" WB (60" CA) 49" AF

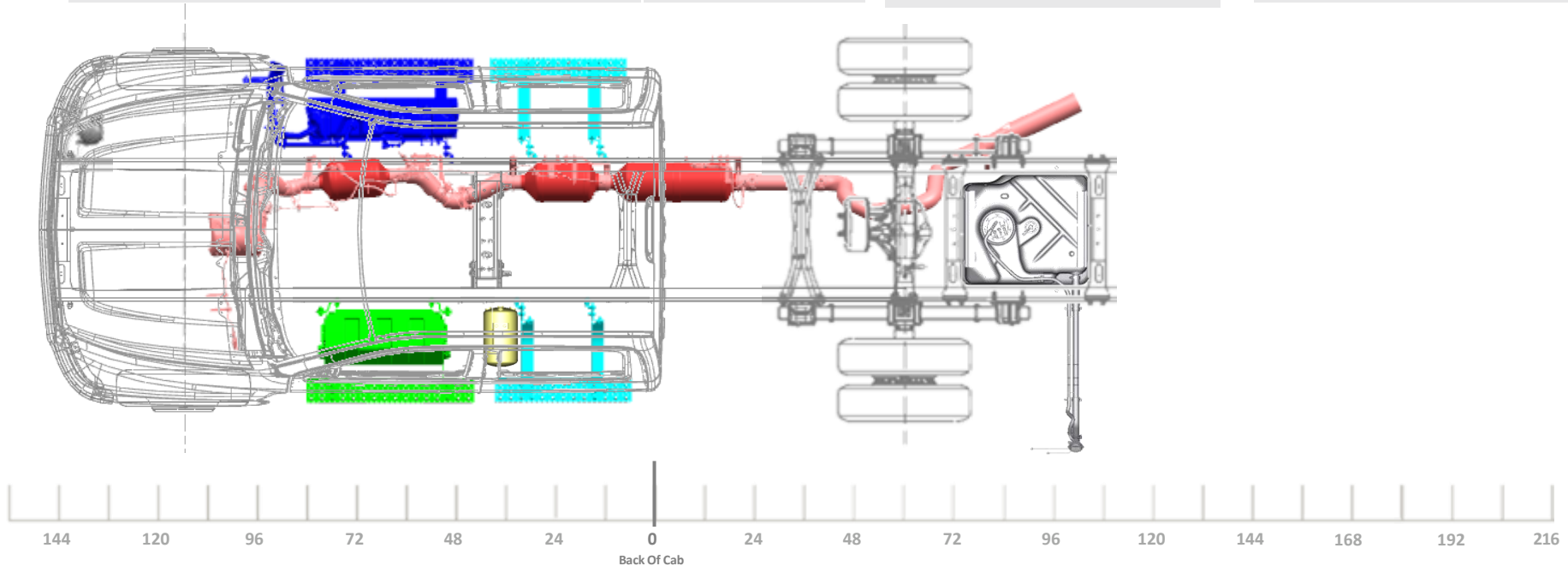


Silverado Medium Duty 4500HD/5500HD/6500HD

Model/Feature Information	
Model:	C56043 K56043
Cab:	CREW CAB
Aftertreatment:	HORIZONTAL
Fuel Tank:	RPO NSQ DUAL 25G CA, 40G AF
Battery Box:	RPO 7Y7/7Y8 28" STEEL, 2 BATTERIES
Air Tanks:	(1) OUTSIDE LEFT
DEF Tank:	6.75 GAL
Engine:	6.6L GM DURAMAX

General Configuration Information
SIDE EXIT TAILPIPE AHEAD OF REAR WHEELS, RT SIDE (07WDU)
SIDE EXIT TAILPIPE AHEAD OF REAR WHEELS, RT SIDE (RPO NPK)
OPTIONAL AIR DRYER FWD OUTSIDE RT (RPO KUT/JPY)

Minimum Wheelbase
175" WB (60" CA) 49" AF



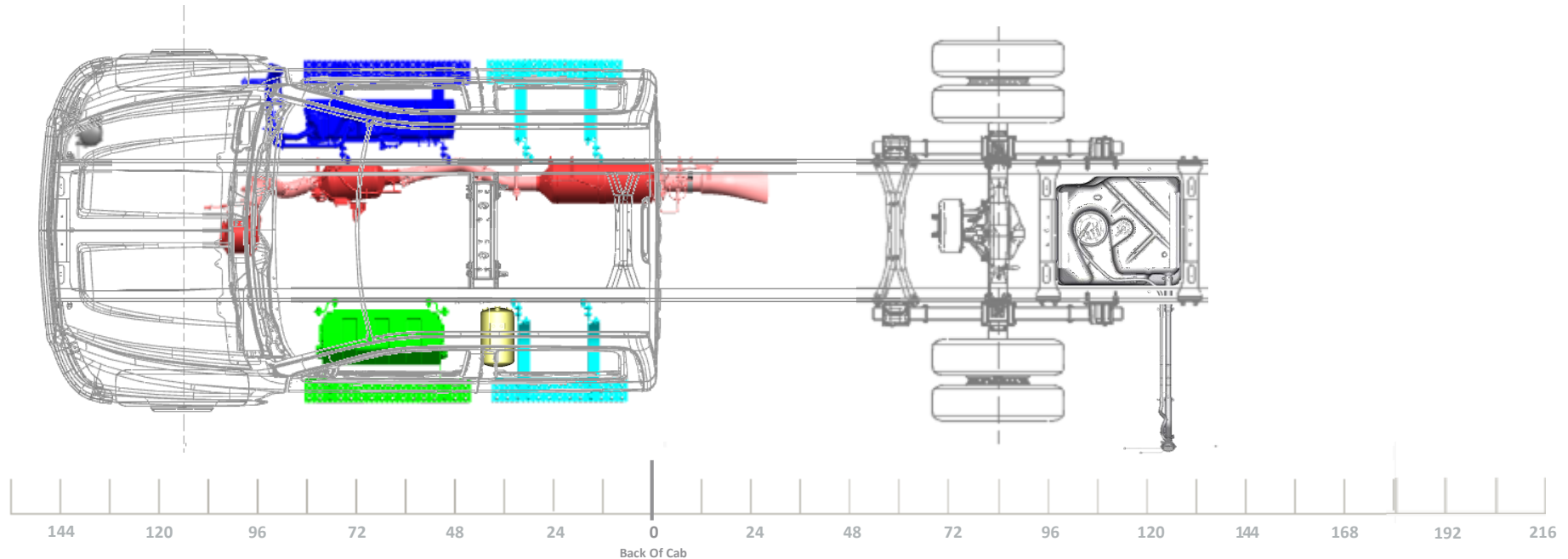
Crew Cab – 199” WB

Silverado Medium Duty 4500HD/5500HD/6500HD

Model/Feature Information	
Model:	C56043 K56043
Cab:	CREW CAB
Aftertreatment:	HORIZONTAL
Fuel Tank:	RPO N2L 40 GAL, AF MTD
Battery Box:	RPO 7Y7/7Y8 28" STEEL, 2 BATTERIES
Air Tanks:	(1) OUTSIDE LEFT
DEF Tank:	6.75 GAL
Engine:	6.6L GM DURAMAX

General Configuration Information
4X2 OR 4X4 TRUCK CONFIGURATION
STRAIGHT TAILPIPE (RPO N12)
OPTIONAL AIR DRYER FWD OUTSIDE RT (RPO KUT/JPY)

Minimum Wheelbase
199" WB (84" CA) 49" OR 63" AF

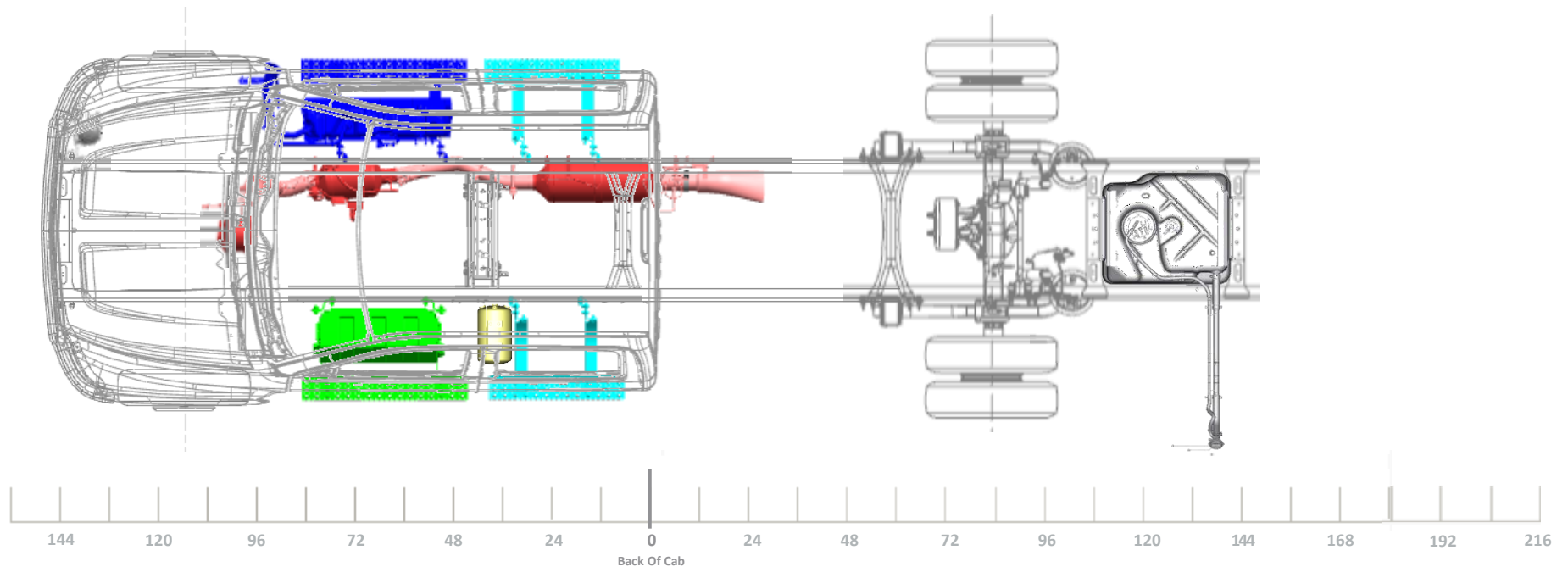


Silverado Medium Duty 4500HD/5500HD/6500HD

Model/Feature Information	
Model:	C56043 K56043
Cab:	CREW CAB
Aftertreatment:	HORIZONTAL
Fuel Tank:	RPO N2L 40 GAL, AF MTD
Battery Box:	RPO 7Y7/7Y8 28" STEEL, 2 BATTERIES
Air Tanks:	(1) OUTSIDE LEFT
DEF Tank:	6.75 GAL
Engine:	6.6L GM DURAMAX

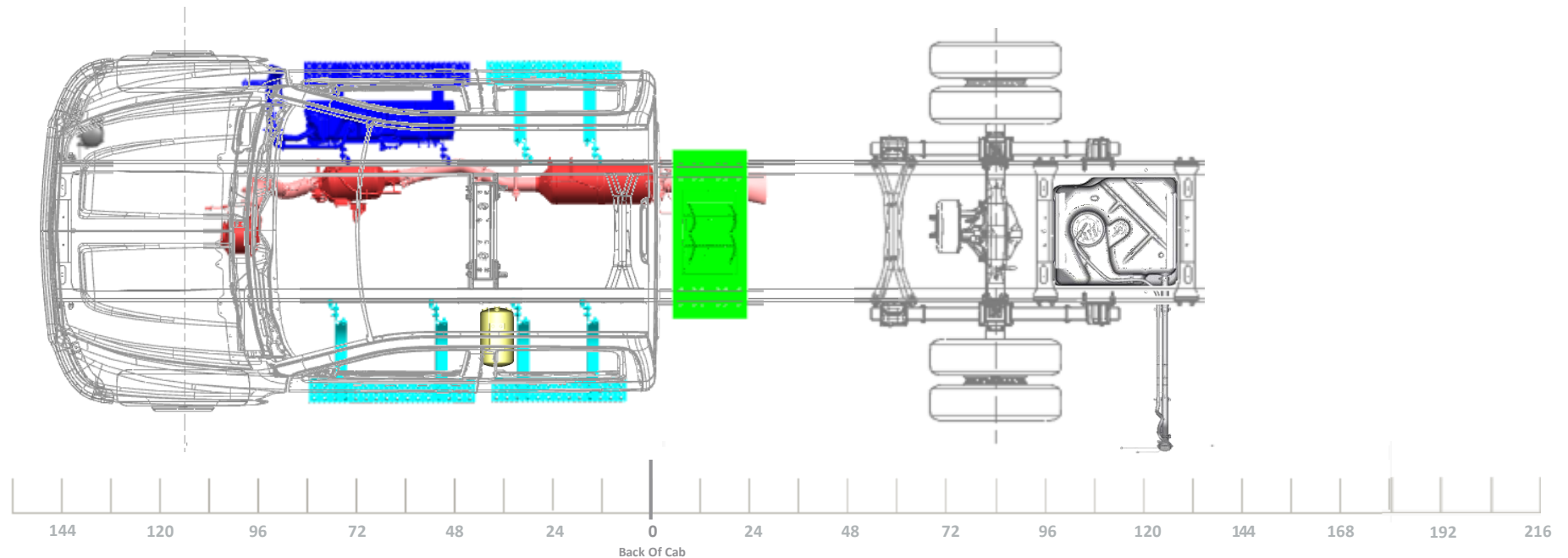
General Configuration Information
4X2 TRUCK CONFIGURATION IROS REAR SUSPENSION
STRAIGHT TAILPIPE (RPO N12)
OPTIONAL AIR DRYER FWD OUTSIDE RT (RPO KUT/JPY)

Minimum Wheelbase
199" WB (84" CA) 63" AF



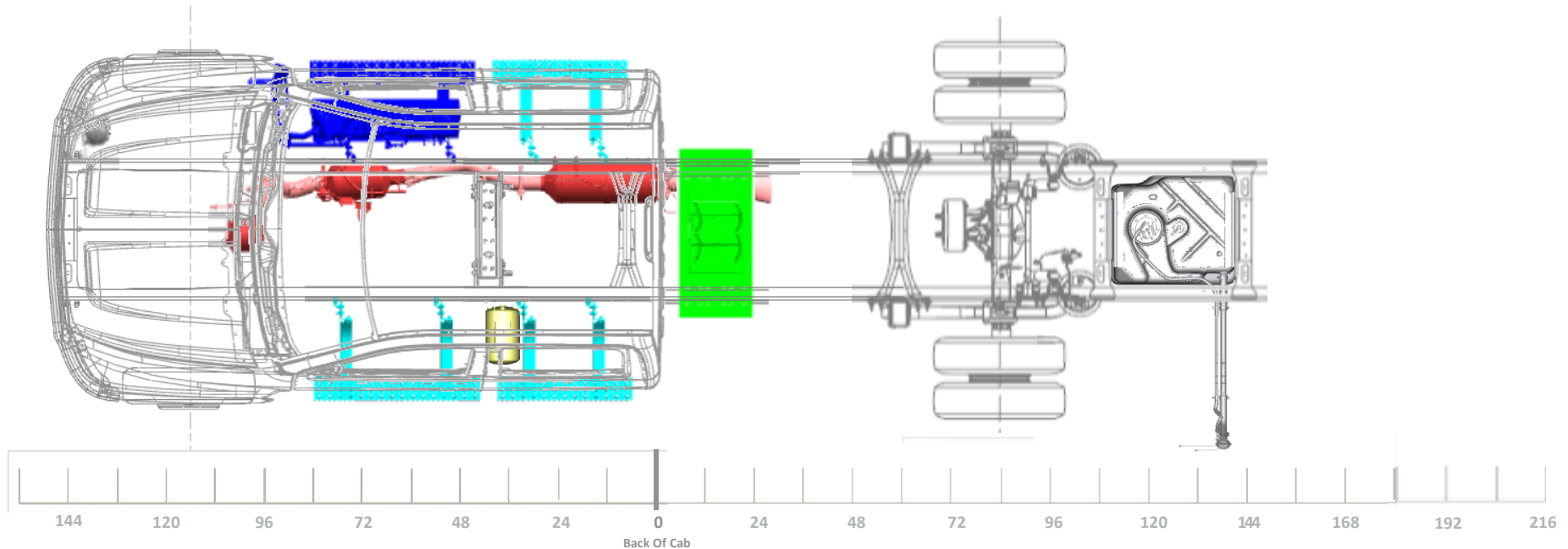
Silverado Medium Duty 4500HD/5500HD/6500HD

Model/Feature Information		General Configuration Information	Minimum Wheelbase
Model:	C56043 K56043	4X2 OR 4X4 TRUCK CONFIGURATION	199" WB (84" CA) 49" OR 63" AF
Cab:	CREW CAB		
Aftertreatment:	HORIZONTAL	STRAIGHT TAILPIPE (RPO N12)	
Fuel Tank:	RPO N2L 40 GAL, AF MTD		
Battery Box:	RPO 7Y9 TEMP MTD, 3 BATT	OPTIONAL AIR DRYER FWD OUTSIDE RT (RPO KUT/JPY)	
Air Tanks:	(1) OUTSIDE LEFT		
DEF Tank:	6.75 GAL		
Engine:	6.6L GM DURAMAX		



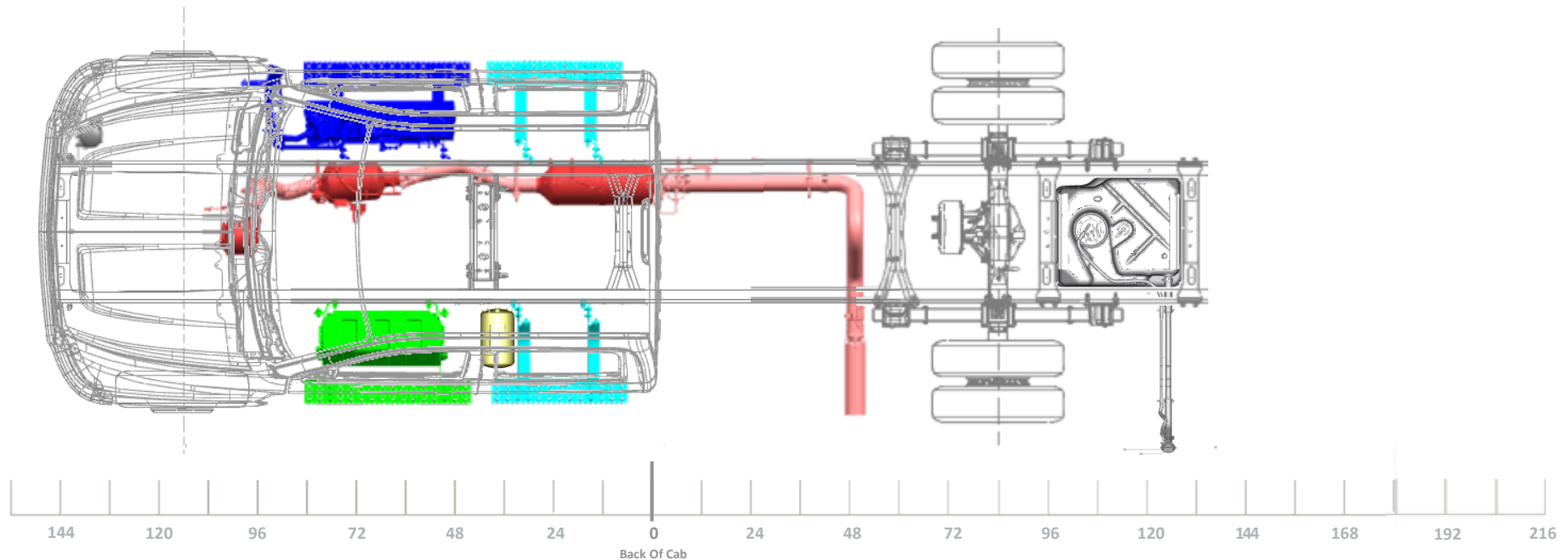
2020 Silverado Medium Duty 4500HD/5500HD/6500HD

Model/Feature Information		General Configuration Information	Minimum Wheelbase
Model:	C56043 K56043	4X2 TRUCK CONFIGURATION IROS REAR SUSPENSION	199" WB (84" CA) 63" AF
Cab:	CREW CAB		
Aftertreatment:	HORIZONTAL	STRAIGHT TAILPIPE (RPO N12)	
Fuel Tank:	RPO N2L 40 GAL, AF MTD		
Battery Box:	RPO 7Y9 TEMP MTD, 3 BATT	OPTIONAL AIR DRYER FWD OUTSIDE RT (RPO KUT/JPY)	
Air Tanks:	(1) OUTISDE LEFT		
DEF Tank:	6.75 GAL		
Engine:	6.6L GM DURAMAX		



Silverado Medium Duty 4500HD/5500HD/6500HD

Model/Feature Information		General Configuration Information	Minimum Wheelbase
Model:	C56043 K56043	4X2 OR 4X4 TRUCK CONFIGURATION	199" WB (84" CA) 49" OR 63" AF
Cab:	CREW CAB		
Aftertreatment:	HORIZONTAL	SIDE EXIT TAILPIPE AHEAD OF REAR WHEELS, LT SIDE (RPO NPJ)	
Fuel Tank:	RPO N2L 40 GAL, AF MTD		
Battery Box:	RPO 7Y7/7Y8 28" STEEL, 2 BATTERIES	OPTIONAL AIR DRYER FWD OUTSIDE RT (RPO KUT/JPY)	
Air Tanks:	(1) OUTSIDE LEFT		
DEF Tank:	6.75 GAL		
Engine:	6.6L GM DURAMAX		

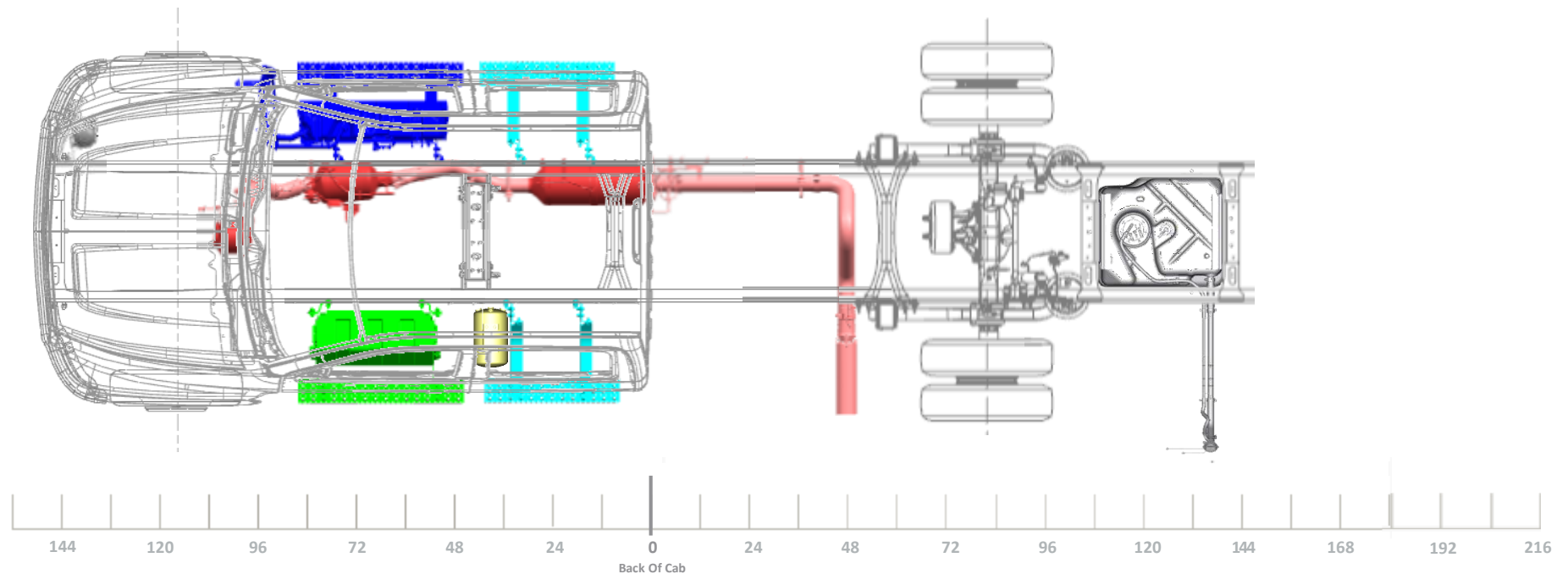


Silverado Medium Duty 4500HD/5500HD/6500HD

Model/Feature Information	
Model:	C56043 K56043
Cab:	CREW CAB
Aftertreatment:	HORIZONTAL
Fuel Tank:	RPO N2L 40 GAL, AF MTD
Battery Box:	RPO 7Y7/7Y8 28" STEEL, 2 BATTERIES
Air Tanks:	(1) OUTSIDE LEFT
DEF Tank:	6.75 GAL
Engine:	6.6L GM DURAMAX

General Configuration Information
4X2 TRUCK CONFIGURATION IROS REAR SUSPENSION
SIDE EXIT TAILPIPE AHEAD OF REAR WHEELS, LT SIDE (RPO NPJ)
OPTIONAL AIR DRYER FWD OUTSIDE RT (RPO KUT/JPY)

Minimum Wheelbase
199" WB (84" CA) 63" AF

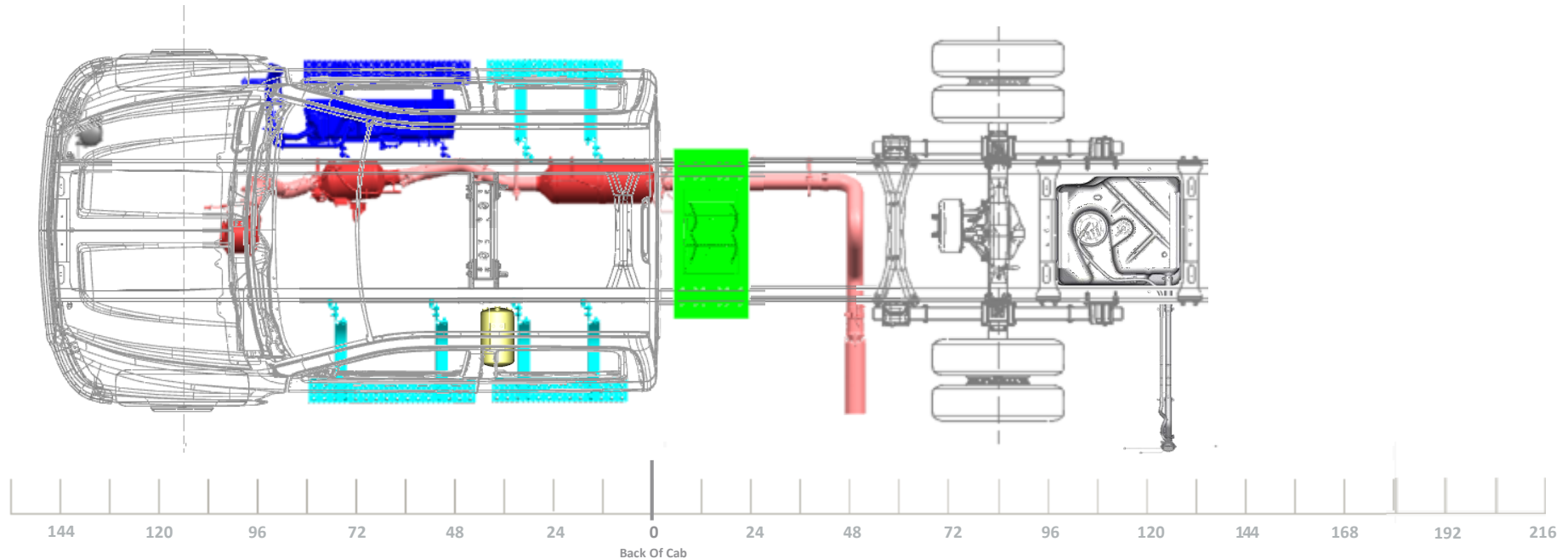


Silverado Medium Duty 4500HD/5500HD/6500HD

Model/Feature Information	
Model:	C56043 K56043
Cab:	CREW CAB
Aftertreatment:	HORIZONTAL
Fuel Tank:	RPO N2L 40 GAL, AF MTD
Battery Box:	RPO 7Y9 TEMP MTD, 3 BATT
Air Tanks:	(1) OUTSIDE LEFT
DEF Tank:	6.75 GAL
Engine:	6.6L GM DURAMAX

General Configuration Information
4X2 OR 4X4 TRUCK CONFIGURATION
SIDE EXIT TAILPIPE AHEAD OF REAR WHEELS, LT SIDE (RPO NPJ)
OPTIONAL AIR DRYER FWD OUTSIDE RT (RPO KUT/JPY)

Minimum Wheelbase
199" WB (84" CA) 49" OR 63" AF

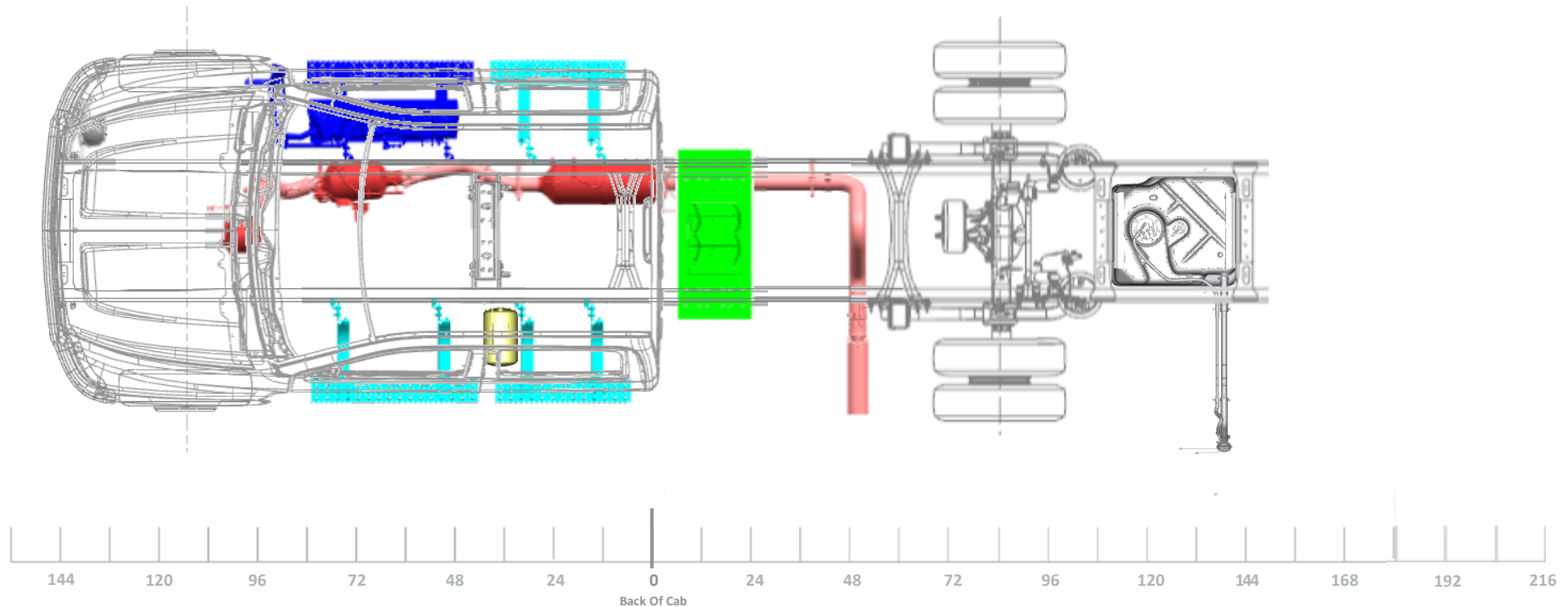


Silverado Medium Duty 4500HD/5500HD/6500HD

Model/Feature Information	
Model:	C56043 K56043
Cab:	CREW CAB
Aftertreatment:	HORIZONTAL
Fuel Tank:	RPO N2L 40 GAL, AF MTD
Battery Box:	RPO 7Y9 TEMP MTD, 3 BATT
Air Tanks:	(1) OUTSIDE LEFT
DEF Tank:	6.75 GAL
Engine:	6.6L GM DURAMAX

General Configuration Information
4X2 TRUCK CONFIGURATION IROS REAR SUSPENSION
SIDE EXIT TAILPIPE AHEAD OF REAR WHEELS, LT SIDE (RPO NPJ)
OPTIONAL AIR DRYER FWD OUTSIDE RT (RPO KUT/JPY)

Minimum Wheelbase
199" WB (84" CA) 63" AF

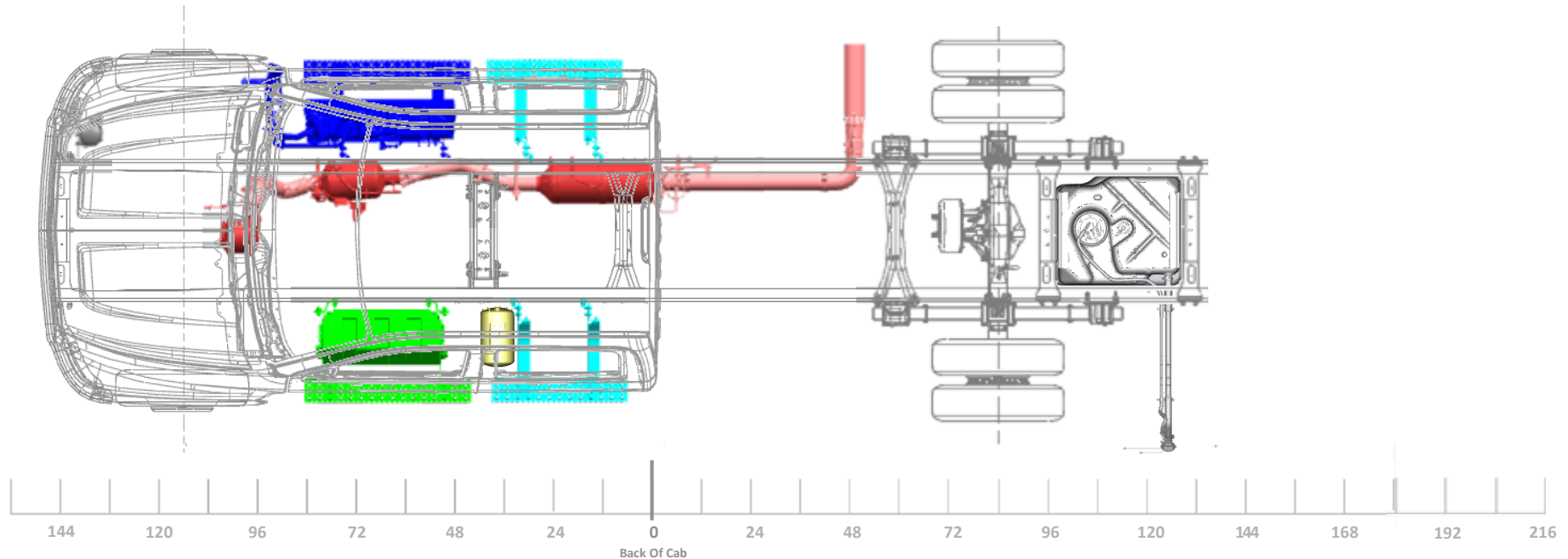


Silverado Medium Duty 4500HD/5500HD/6500HD

Model/Feature Information	
Model:	C56043 K56043
Cab:	CREW CAB
Aftertreatment:	HORIZONTAL
Fuel Tank:	RPO N2L 40 GAL, AF MTD
Battery Box:	RPO 7Y7/7Y8 28" STEEL, 2 BATTERIES
Air Tanks:	(1) OUTSIDE LEFT
DEF Tank:	6.75 GAL
Engine:	6.6L GM DURAMAX

General Configuration Information
4X2 OR 4X4 TRUCK CONFIGURATION
SIDE EXIT TAILPIPE AHEAD OF REAR WHEELS, RT SIDE (RPO NPK)
OPTIONAL AIR DRYER FWD OUTSIDE RT (RPO KUT/JPY)

Minimum Wheelbase
199" WB (84" CA) 49" OR 63" AF

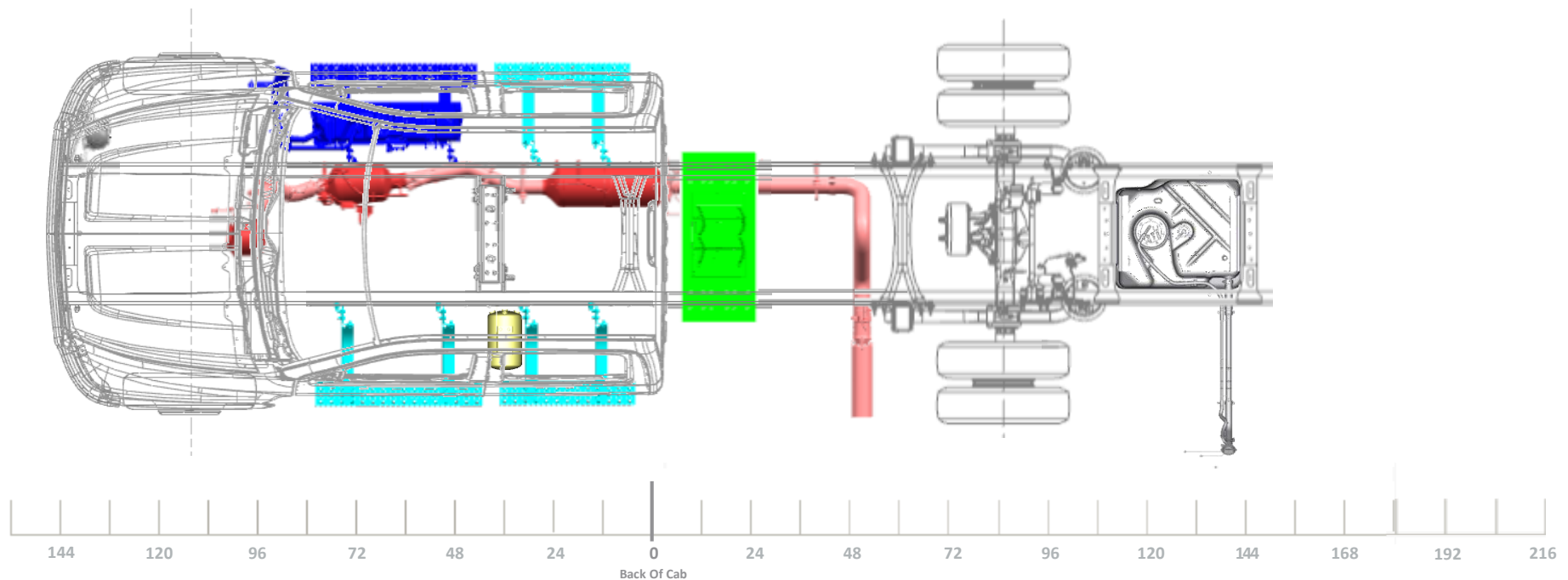


Silverado Medium Duty 4500HD/5500HD/6500HD

Model/Feature Information	
Model:	C56043 K56043
Cab:	CREW CAB
Aftertreatment:	HORIZONTAL
Fuel Tank:	RPO N2L 40 GAL, AF MTD
Battery Box:	RPO 7Y7/7Y8 28" STEEL, 2 BATTERIES
Air Tanks:	(1) OUTSIDE LEFT
DEF Tank:	6.75 GAL
Engine:	6.6L GM DURAMAX

General Configuration Information
4X2 TRUCK CONFIGURATION IROS REAR SUSPENSION
SIDE EXIT TAILPIPE AHEAD OF REAR WHEELS, RT SIDE (RPO NPK)
OPTIONAL AIR DRYER FWD OUTSIDE RT (RPO KUT/JPY)

Minimum Wheelbase
199" WB (84" CA) 63" AF

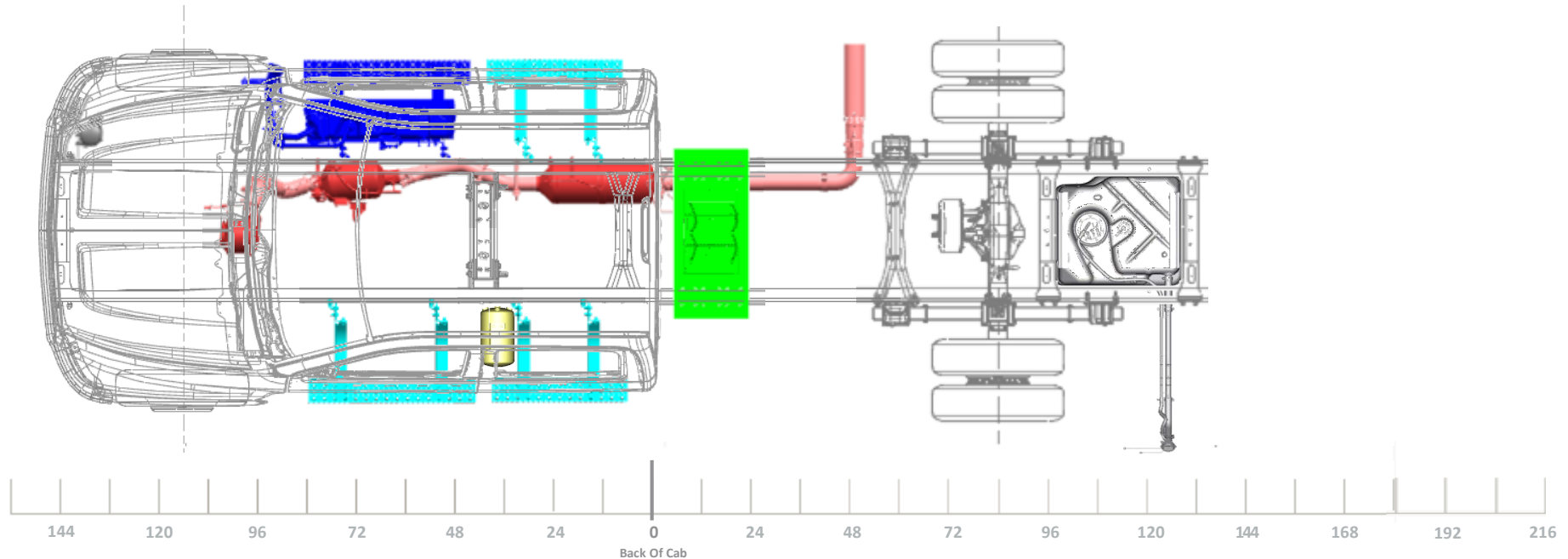


Silverado Medium Duty 4500HD/5500HD/6500HD

Model/Feature Information	
Model:	C56043 K56043
Cab:	CREW CAB
Aftertreatment:	HORIZONTAL
Fuel Tank:	RPO N2L 40 GAL, AF MTD
Battery Box:	RPO 7Y9 TEMP MTD, 3 BATT
Air Tanks:	(1) OUTSIDE LEFT
DEF Tank:	6.75 GAL
Engine:	6.6L GM DURAMAX

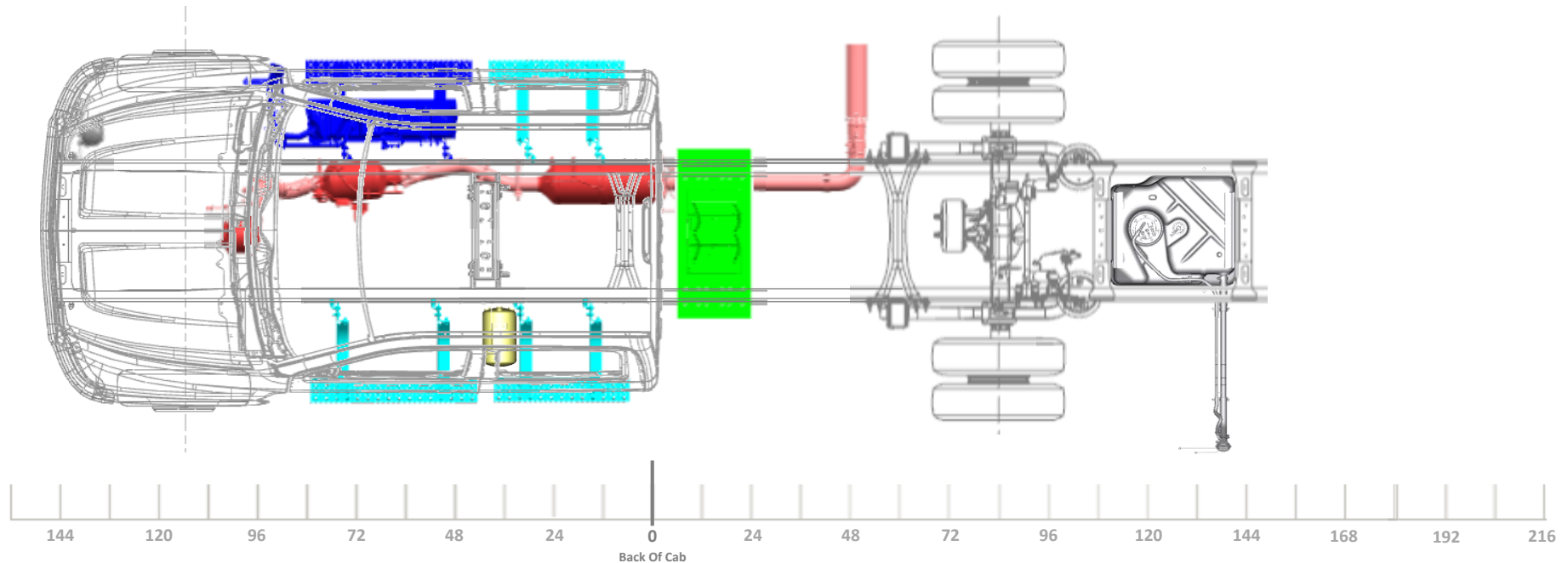
General Configuration Information
4X2 OR 4X4 TRUCK CONFIGURATION
SIDE EXIT TAILPIPE AHEAD OF REAR WHEELS, RT SIDE (RPO NPK)
OPTIONAL AIR DRYER FWD OUTSIDE RT (RPO KUT/JPY)

Minimum Wheelbase
199" WB (84" CA) 49" OR 63" AF



Silverado Medium Duty 4500HD/5500HD/6500HD

Model/Feature Information		General Configuration Information	Minimum Wheelbase
Model:	C56043 K56043	4X2 TRUCK CONFIGURATION IROS REAR SUSPENSION	199" WB (84" CA) 49" OR 63" AF
Cab:	CREW CAB		
Aftertreatment:	HORIZONTAL	SIDE EXIT TAILPIPE AHEAD OF REAR WHEELS, RT SIDE (RPO NPK)	
Fuel Tank:	RPO N2L 40 GAL, AF MTD		
Battery Box:	RPO 7Y9 TEMP MTD, 3 BATT	OPTIONAL AIR DRYER FWD OUTSIDE RT (RPO KUT/JPY)	
Air Tanks:	(1) OUTSIDE LEFT		
DEF Tank:	6.75 GAL		
Engine:	6.6L GM DURAMAX		

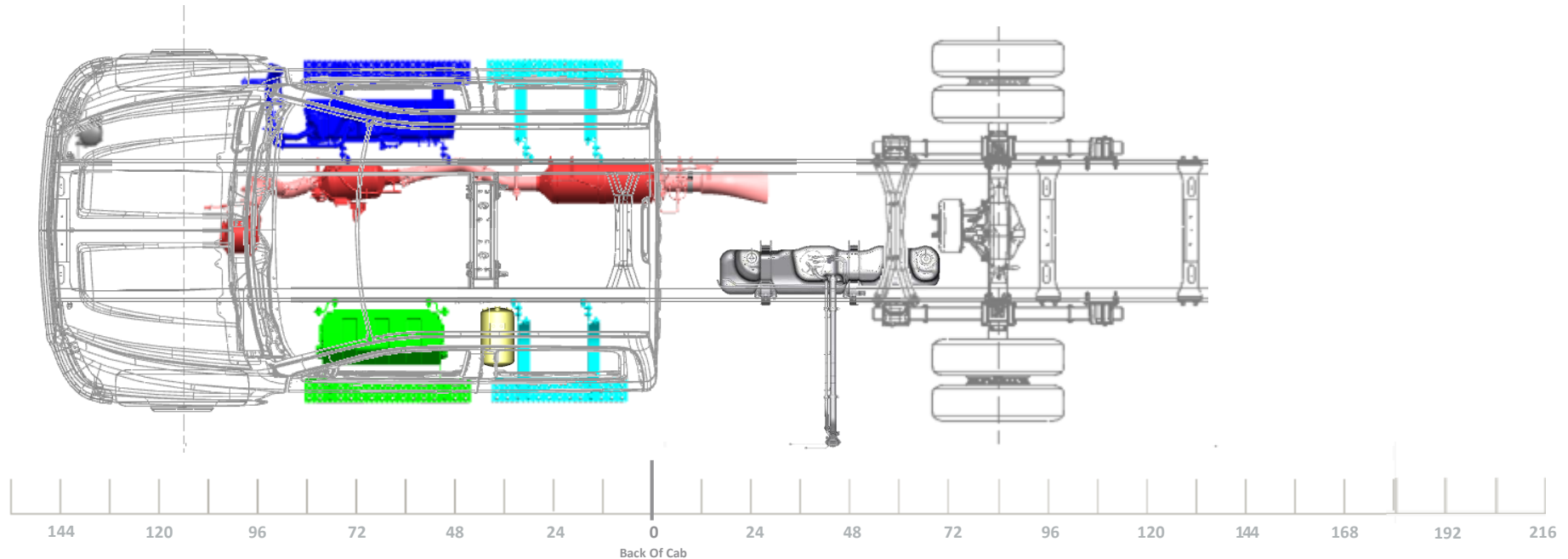


Silverado Medium Duty 4500HD/5500HD/6500HD

Model/Feature Information	
Model:	C56043 K56043
Cab:	CREW CAB
Aftertreatment:	HORIZONTAL
Fuel Tank:	RPO NVK 25 GAL, CA MTD
Battery Box:	RPO 7Y7/7Y8 28" STEEL, 2 BATTERIES
Air Tanks:	(1) OUTSIDE LEFT
DEF Tank:	6.75 GAL
Engine:	6.6L GM DURAMAX

General Configuration Information
4X2 OR 4X4 TRUCK CONFIGURATION
STRAIGHT TAILPIPE (RPO N12)
OPTIONAL AIR DRYER FWD OUTSIDE RT (RPO KUT/JPY)

Minimum Wheelbase
199" WB (84" CA) 49" OR 63" AF

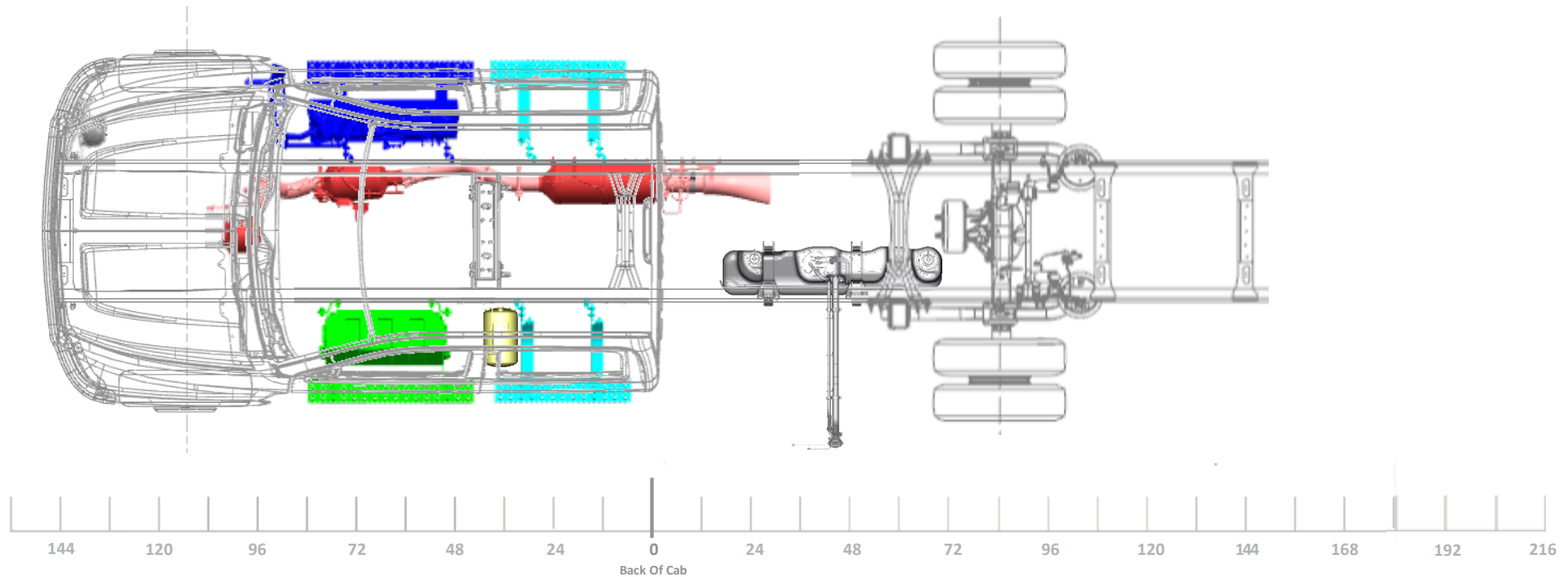


Silverado Medium Duty 4500HD/5500HD/6500HD

Model/Feature Information	
Model:	C56043 K56043
Cab:	CREW CAB
Aftertreatment:	HORIZONTAL
Fuel Tank:	RPO NVK 25 GAL, CA MTD
Battery Box:	RPO 7Y7/7Y8 28" STEEL, 2 BATTERIES
Air Tanks:	(1) OUTSIDE LEFT
DEF Tank:	6.75 GAL
Engine:	6.6L GM DURAMAX

General Configuration Information
4X2 TRUCK CONFIGURATION IROS REAR SUSPENSION
STRAIGHT TAILPIPE (RPO N12)
OPTIONAL AIR DRYER FWD OUTSIDE RT (RPO KUT/JPY)

Minimum Wheelbase
199" WB (84" CA) 63" AF

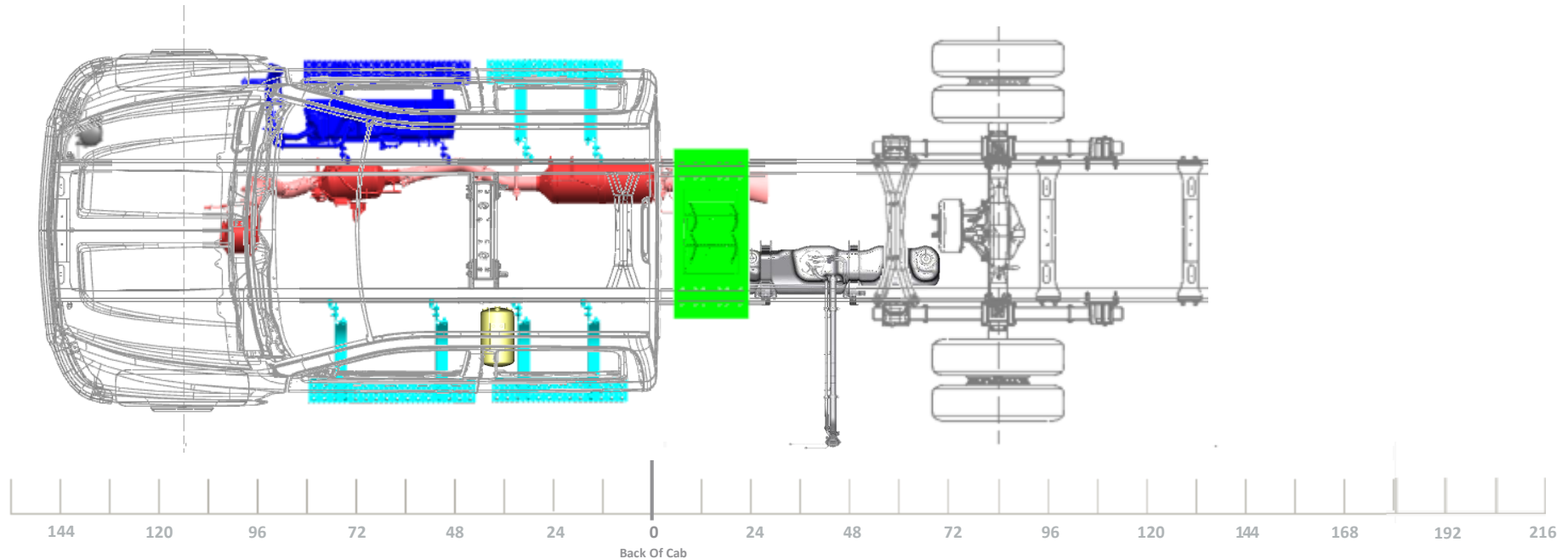


Silverado Medium Duty 4500HD/5500HD/6500HD

Model/Feature Information	
Model:	C56043 K56043
Cab:	CREW CAB
Aftertreatment:	HORIZONTAL
Fuel Tank:	RPO NVK 25 GAL, CA MTD
Battery Box:	RPO 7Y9 TEMP MTD, 3 BATT
Air Tanks:	(1) OUTSIDE LEFT
DEF Tank:	6.75 GAL
Engine:	6.6L GM DURAMAX

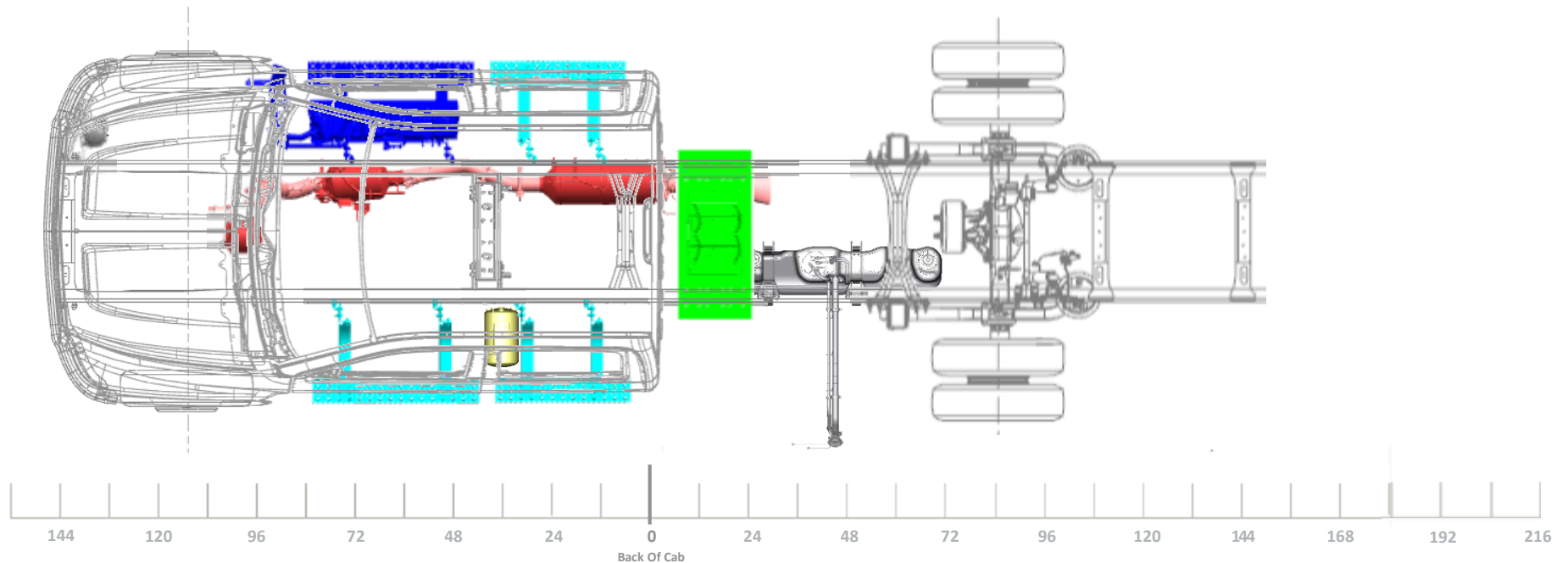
General Configuration Information
4X2 OR 4X4 TRUCK CONFIGURATION
STRAIGHT TAILPIPE (RPO N12)
OPTIONAL AIR DRYER FWD OUTSIDE RT (RPO KUT/JPY)

Minimum Wheelbase
199" WB (84" CA) 49" OR 63" AF



Silverado Medium Duty 4500HD/5500HD/6500HD

Model/Feature Information		General Configuration Information	Minimum Wheelbase
Model:	C56043 K56043	4X2 TRUCK CONFIGURATION IROS REAR SUSPENSION	199" WB (84" CA) 63" AF
Cab:	CREW CAB		
Aftertreatment:	HORIZONTAL	STRAIGHT TAILPIPE (RPO N12)	
Fuel Tank:	RPO NVK 25 GAL, CA MTD		
Battery Box:	RPO 7Y9 TEMP MTD, 3 BATT	OPTIONAL AIR DRYER FWD OUTSIDE RT (RPO KUT/JPY)	
Air Tanks:	(1) OUTSIDE LEFT		
DEF Tank:	6.75 GAL		
Engine:	6.6L GM DURAMAX		

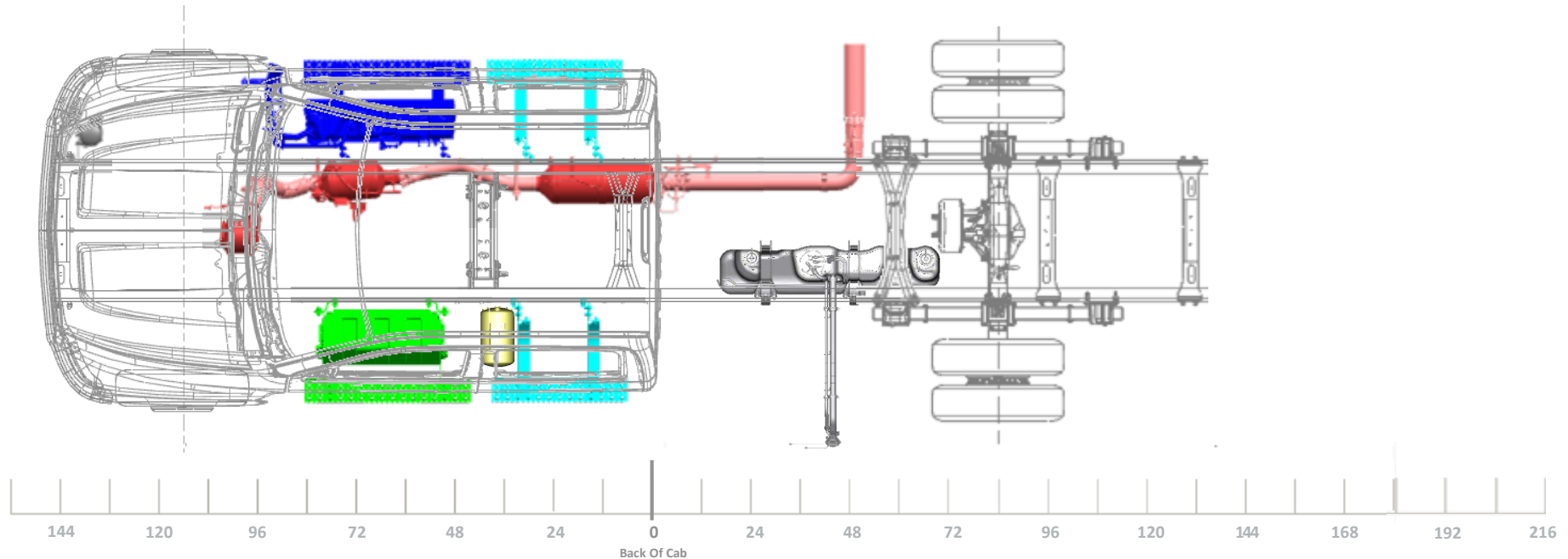


Silverado Medium Duty 4500HD/5500HD/6500HD

Model/Feature Information	
Model:	C56043 K56043
Cab:	CREW CAB
Aftertreatment:	HORIZONTAL
Fuel Tank:	RPO NVK 25 GAL, CA MTD
Battery Box:	RPO 7Y7/7Y8 28" STEEL, 2 BATTERIES
Air Tanks:	(1) OUTSIDE LEFT
DEF Tank:	6.75 GAL
Engine:	6.6L GM DURAMAX

General Configuration Information
4X2 OR 4X4 TRUCK CONFIGURATION
SIDE EXIT TAILPIPE AHEAD OF REAR WHEELS, RT SIDE (RPO NPK)
OPTIONAL AIR DRYER FWD OUTSIDE RT (RPO KUT/JPY)

Minimum Wheelbase
199" WB (84" CA) 49" OR 63" AF

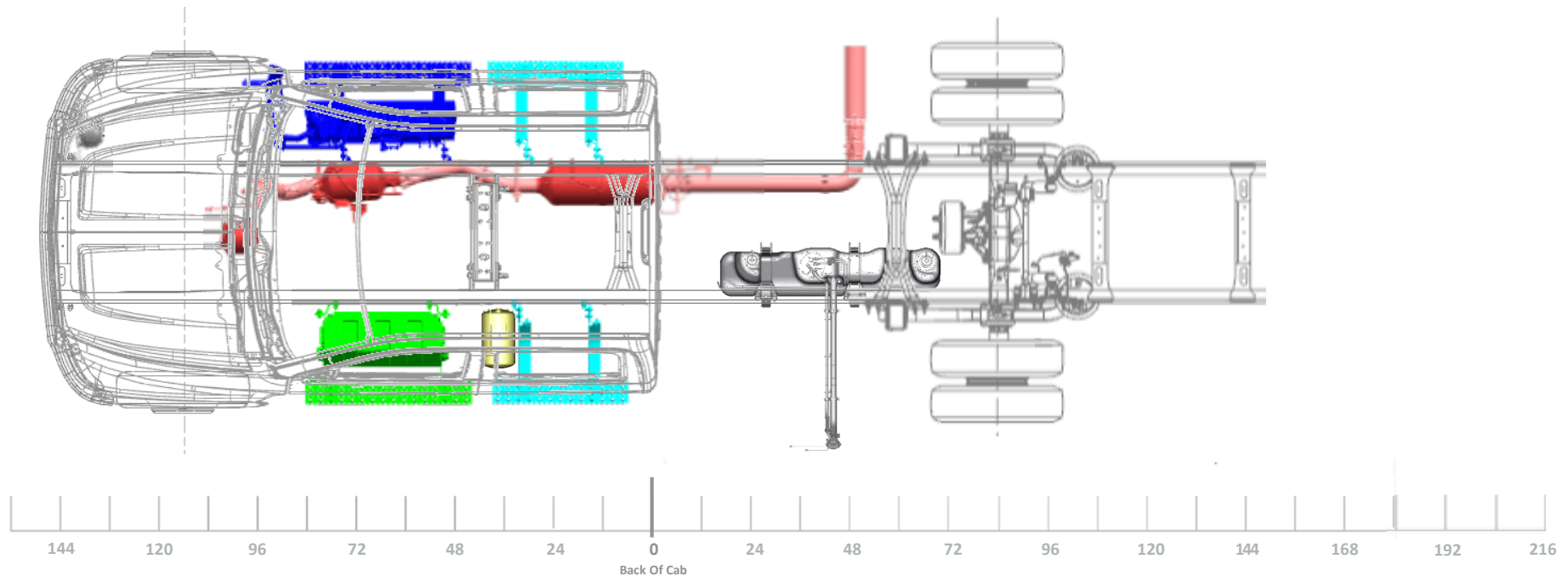


Silverado Medium Duty 4500HD/5500HD/6500HD

Model/Feature Information	
Model:	C56043 K56043
Cab:	CREW CAB
Aftertreatment:	HORIZONTAL
Fuel Tank:	RPO NVK 25 GAL, CA MTD
Battery Box:	RPO 7Y7/7Y8 28" STEEL, 2 BATTERIES
Air Tanks:	(1) OUTSIDE LEFT
DEF Tank:	6.75 GAL
Engine:	6.6L GM DURAMAX

General Configuration Information
4X2 TRUCK CONFIGURATION IROS REAR SUSPENSION
SIDE EXIT TAILPIPE AHEAD OF REAR WHEELS, RT SIDE (RPO NPK)
OPTIONAL AIR DRYER FWD OUTSIDE RT (RPO KUT/JPY)

Minimum Wheelbase
199" WB (84" CA) 63" AF

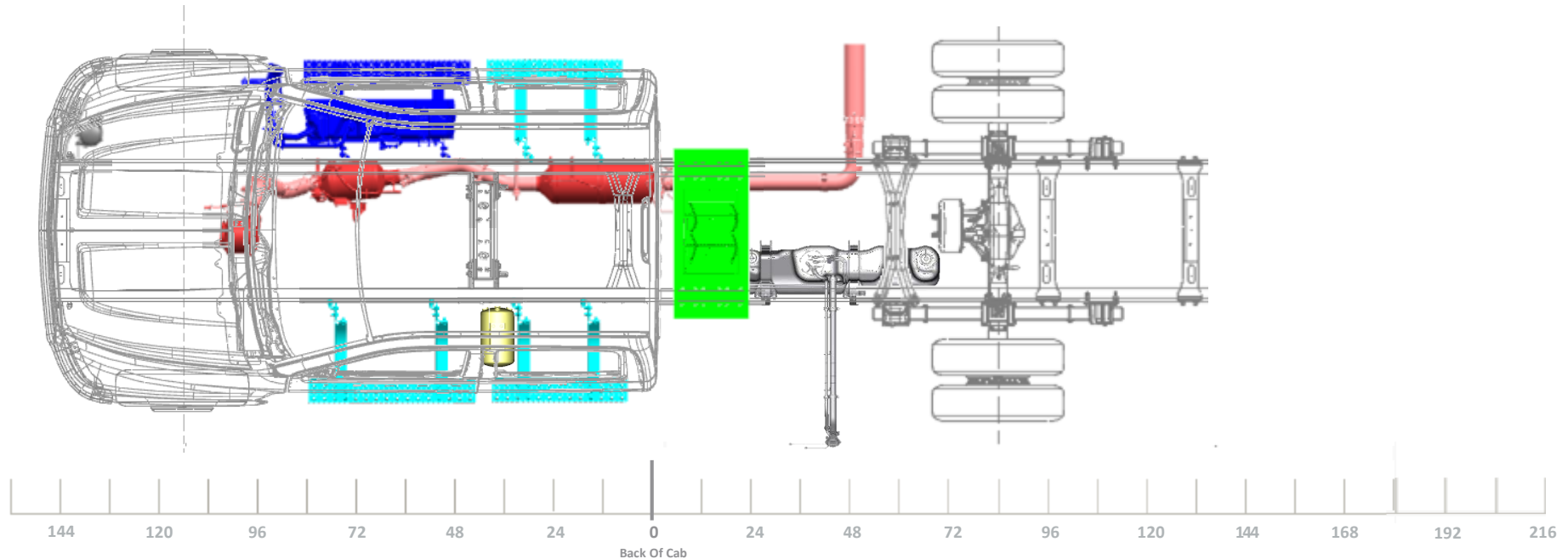


Silverado Medium Duty 4500HD/5500HD/6500HD

Model/Feature Information	
Model:	C56043 K56043
Cab:	CREW CAB
Aftertreatment:	HORIZONTAL
Fuel Tank:	RPO NVK 25 GAL, CA MTD
Battery Box:	RPO 7Y9 TEMP MTD, 3 BATT
Air Tanks:	(1) OUTSIDE LEFT
DEF Tank:	6.75 GAL
Engine:	6.6L GM DURAMAX

General Configuration Information
4X2 OR 4X4 TRUCK CONFIGURATION
SIDE EXIT TAILPIPE AHEAD OF REAR WHEELS, RT SIDE (RPO NPK)
OPTIONAL AIR DRYER FWD OUTSIDE RT (RPO KUT/JPY)

Minimum Wheelbase
199" WB (84" CA) 49" OR 63" AF

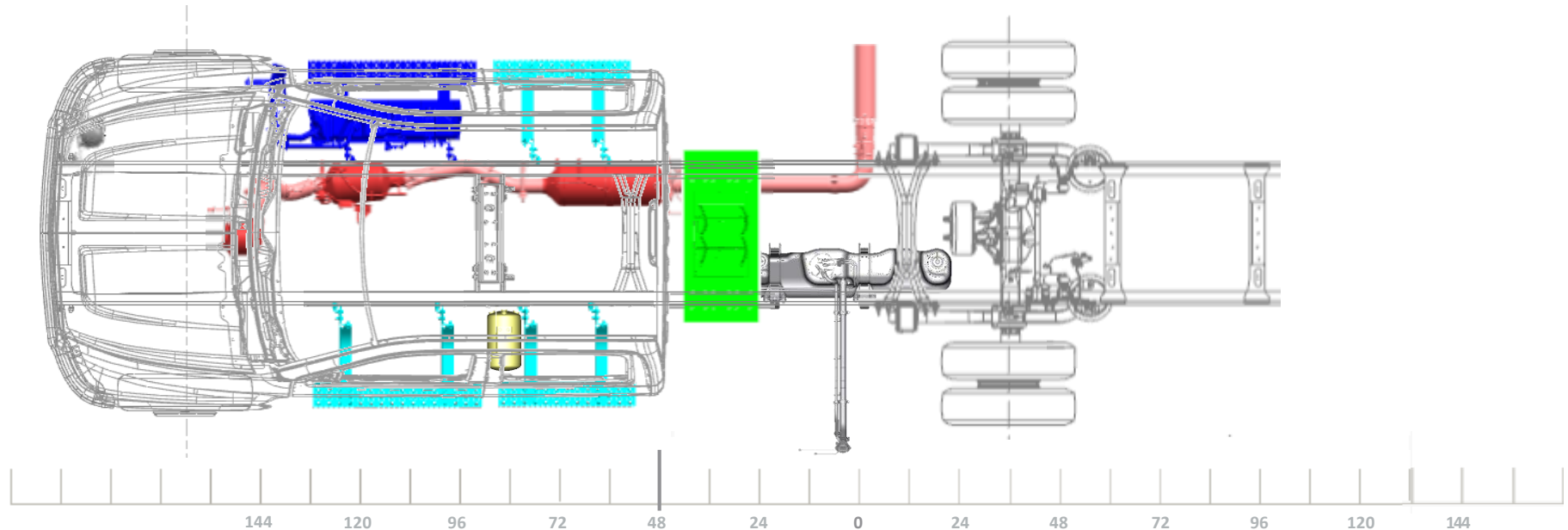


Silverado Medium Duty 4500HD/5500HD/6500HD

Model/Feature Information	
Model:	C56043 K56043
Cab:	CREW CAB
Aftertreatment:	HORIZONTAL
Fuel Tank:	RPO NVK 25 GAL, CA MTD
Battery Box:	RPO 7Y9 TEMP MTD, 3 BATT
Air Tanks:	(1) OUTSIDE LEFT
DEF Tank:	6.75 GAL
Engine:	6.6L GM DURAMAX

General Configuration Information
4X2 TRUCK CONFIGURATION IROS REAR SUSPENSION
SIDE EXIT TAILPIPE AHEAD OF REAR WHEELS, RT SIDE (RPO NPK)
OPTIONAL AIR DRYER FWD OUTSIDE RT (RPO KUT/JPY)

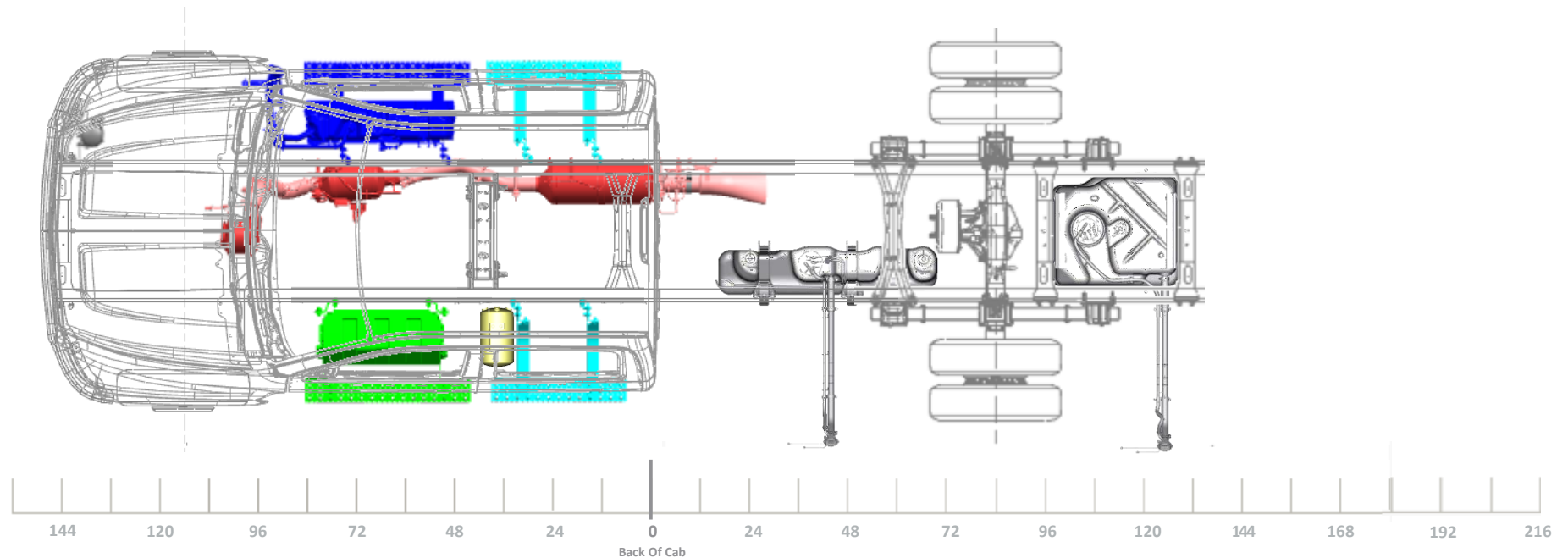
Minimum Wheelbase
199" WB (84" CA) 63" AF



Silverado Medium Duty Conventional Cab

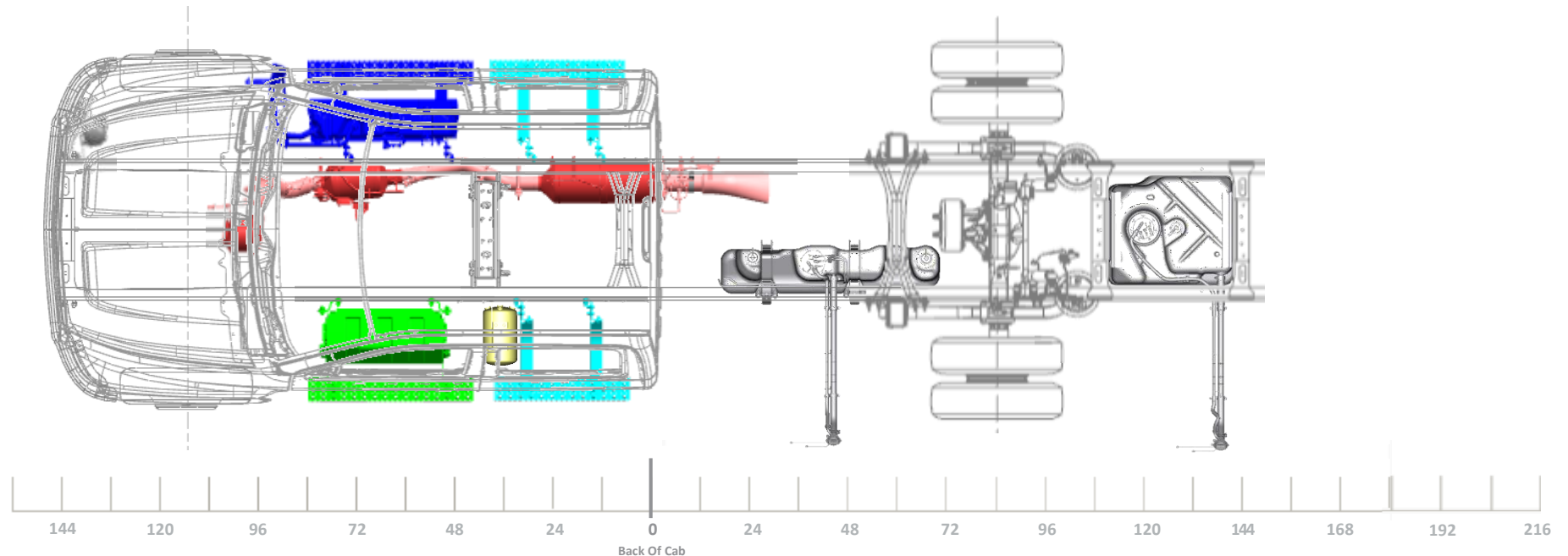
Silverado Medium Duty 4500HD/5500HD/6500HD

Model/Feature Information		General Configuration Information	Minimum Wheelbase
Model:	C56043 K56043	4X2 OR 4X4 TRUCK CONFIGURATION	199" WB (84" CA) 49" OR 63" AF
Cab:	CREW CAB		
Aftertreatment:	HORIZONTAL	STRAIGHT TAILPIPE (RPO N12)	
Fuel Tank:	RPO NSQ DUAL 25G CA, 40G AF		
Battery Box:	RPO 7Y7/7Y8 28" STEEL, 2 BATTERIES	OPTIONAL AIR DRYER FWD OUTSIDE RT (RPO KUT/JPY)	
Air Tanks:	(1) OUTSIDE LEFT		
DEF Tank:	6.75 GAL		
Engine:	6.6L GM DURAMAX		



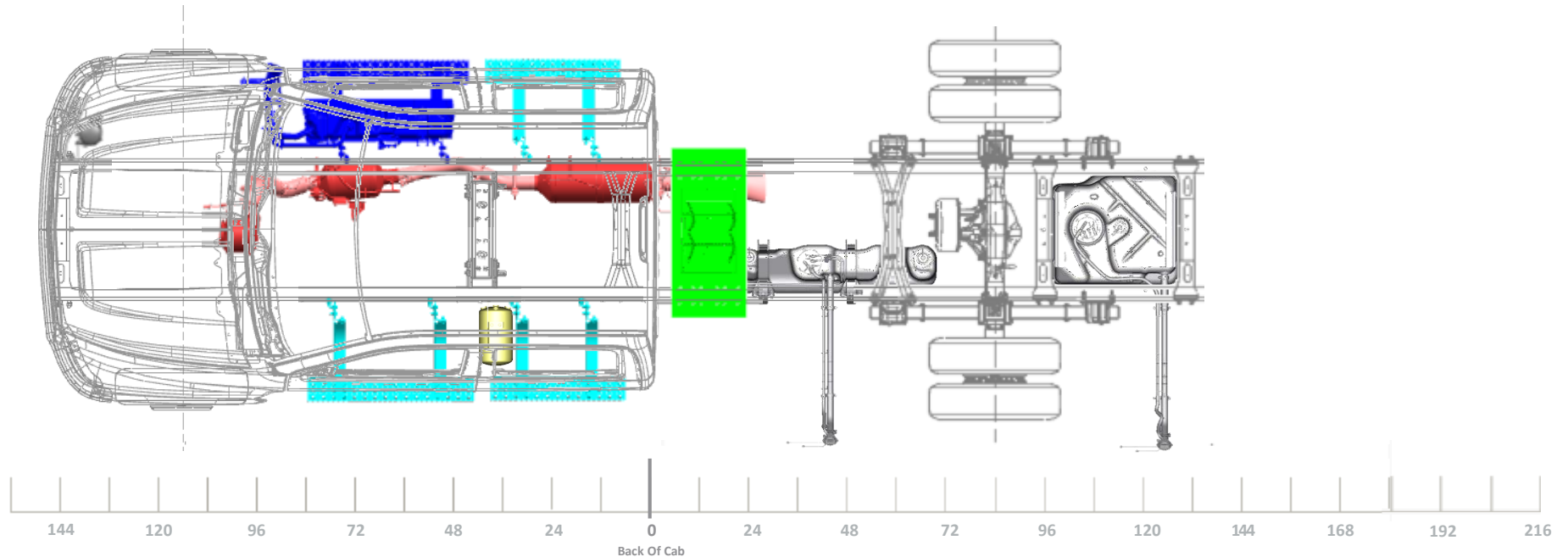
Silverado Medium Duty 4500HD/5500HD/6500HD

Model/Feature Information		General Configuration Information	Minimum Wheelbase
Model:	C56043 K56043	4X2 TRUCK CONFIGURATION IROS REAR SUSPENSION	199" WB (84" CA) 63" AF
Cab:	CREW CAB		
Aftertreatment:	HORIZONTAL	STRAIGHT TAILPIPE (RPO N12)	
Fuel Tank:	RPO NSQ DUAL 25G CA, 40G AF		
Battery Box:	RPO 7Y7/7Y8 28" STEEL, 2 BATTERIES	OPTIONAL AIR DRYER FWD OUTSIDE RT (RPO KUT/JPY)	
Air Tanks:	(1) OUTSIDE LEFT		
DEF Tank:	6.75 GAL		
Engine:	6.6L GM DURAMAX		



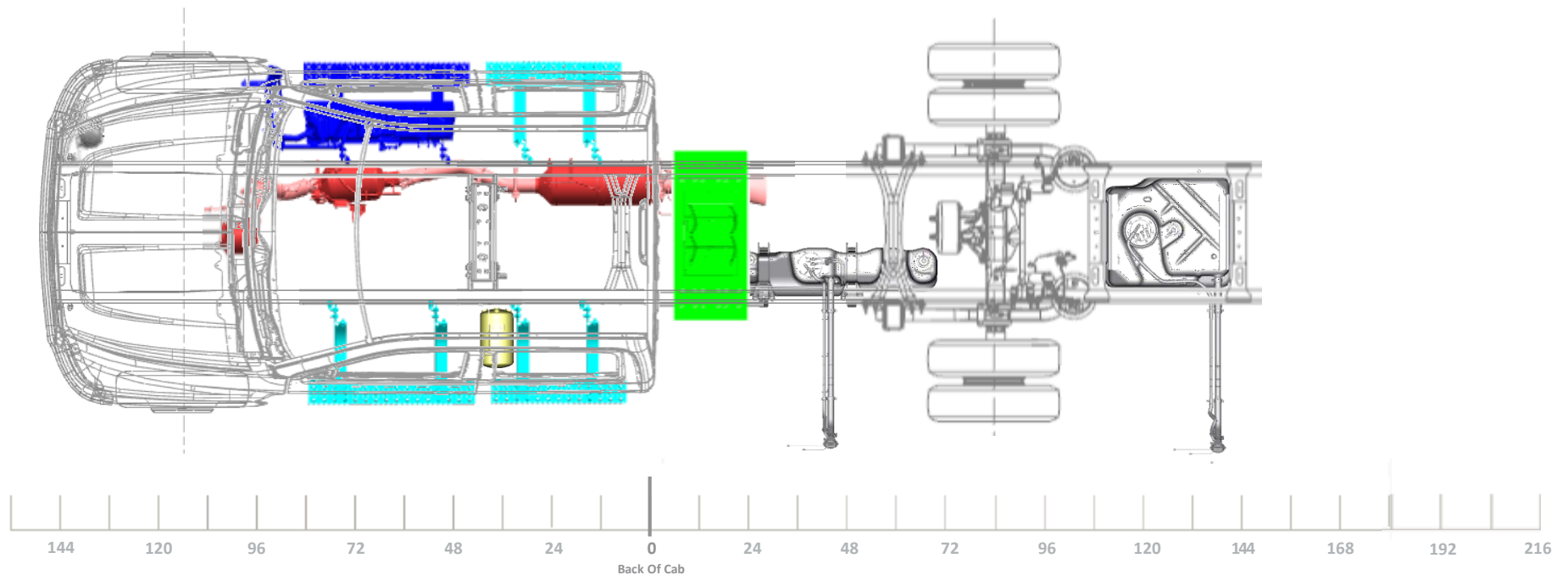
Silverado Medium Duty 4500HD/5500HD/6500HD

Model/Feature Information		General Configuration Information	Minimum Wheelbase
Model:	C56043 K56043	4X2 OR 4X4 TRUCK CONFIGURATION	199" WB (84" CA) 49" OR 63" AF
Cab:	CREW CAB		
Aftertreatment:	HORIZONTAL	STRAIGHT TAILPIPE (RPO N12)	
Fuel Tank:	RPO NSQ DUAL 25G CA, 40G AF		
Battery Box:	RPO 7Y9 TEMP MTD, 3 BATT	OPTIONAL AIR DRYER FWD OUTSIDE RT (RPO KUT/JPY)	
Air Tanks:	(1) OUTSIDE LEFT		
DEF Tank:	6.75 GAL		
Engine:	6.6L GM DURAMAX		



Silverado Medium Duty 4500HD/5500HD/6500HD

Model/Feature Information		General Configuration Information	Minimum Wheelbase
Model:	C56043 K56043	4X2 TRUCK CONFIGURATION IROS REAR SUSPENSION	199" WB (84" CA) 63" AF
Cab:	CREW CAB		
Aftertreatment:	HORIZONTAL	STRAIGHT TAILPIPE (RPO N12)	
Fuel Tank:	RPO NSQ DUAL 25G CA, 40G AF		
Battery Box:	RPO 7Y9 TEMP MTD, 3 BATT	OPTIONAL AIR DRYER FWD OUTSIDE RT (RPO KUT/JPY)	
Air Tanks:	(1) OUTSIDE LEFT		
DEF Tank:	6.75 GAL		
Engine:	6.6L GM DURAMAX		

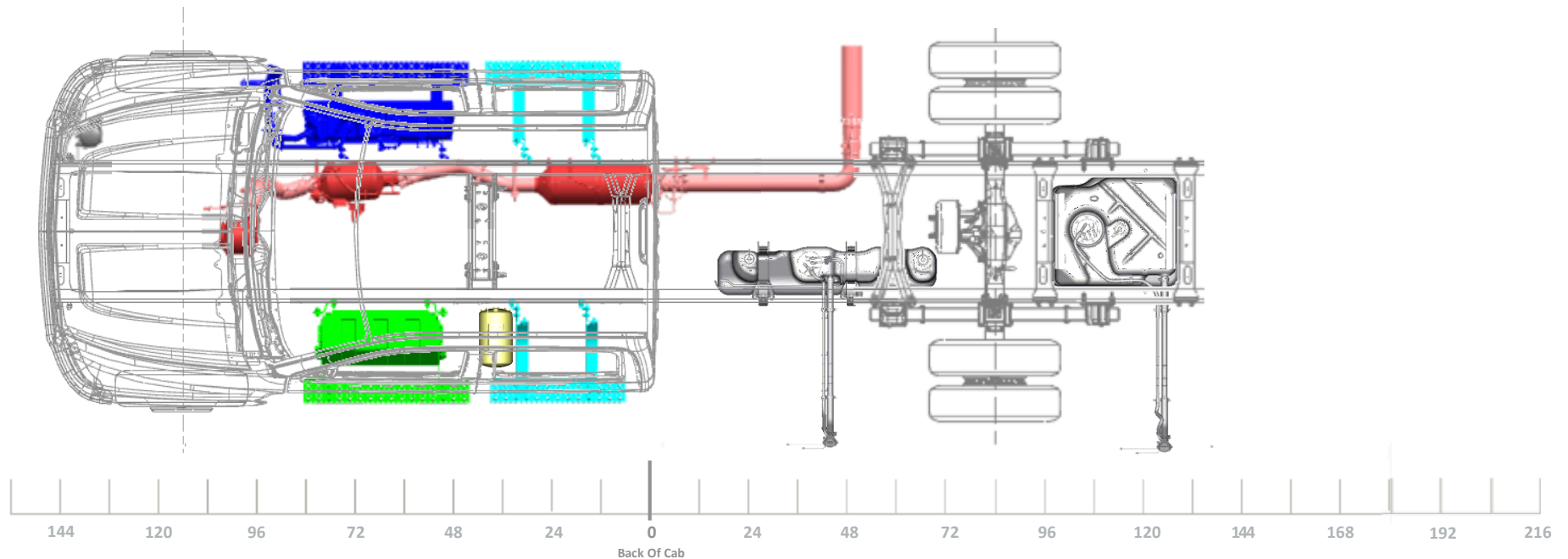


Silverado Medium Duty 4500HD/5500HD/6500HD

Model/Feature Information	
Model:	C56043 K56043
Cab:	CREW CAB
Aftertreatment:	HORIZONTAL
Fuel Tank:	RPO NSQ DUAL 25G CA, 40G AF
Battery Box:	RPO 7Y7/7Y8 28" STEEL, 2 BATTERIES
Air Tanks:	(1) OUTSIDE LEFT
DEF Tank:	6.75 GAL
Engine:	6.6L GM DURAMAX

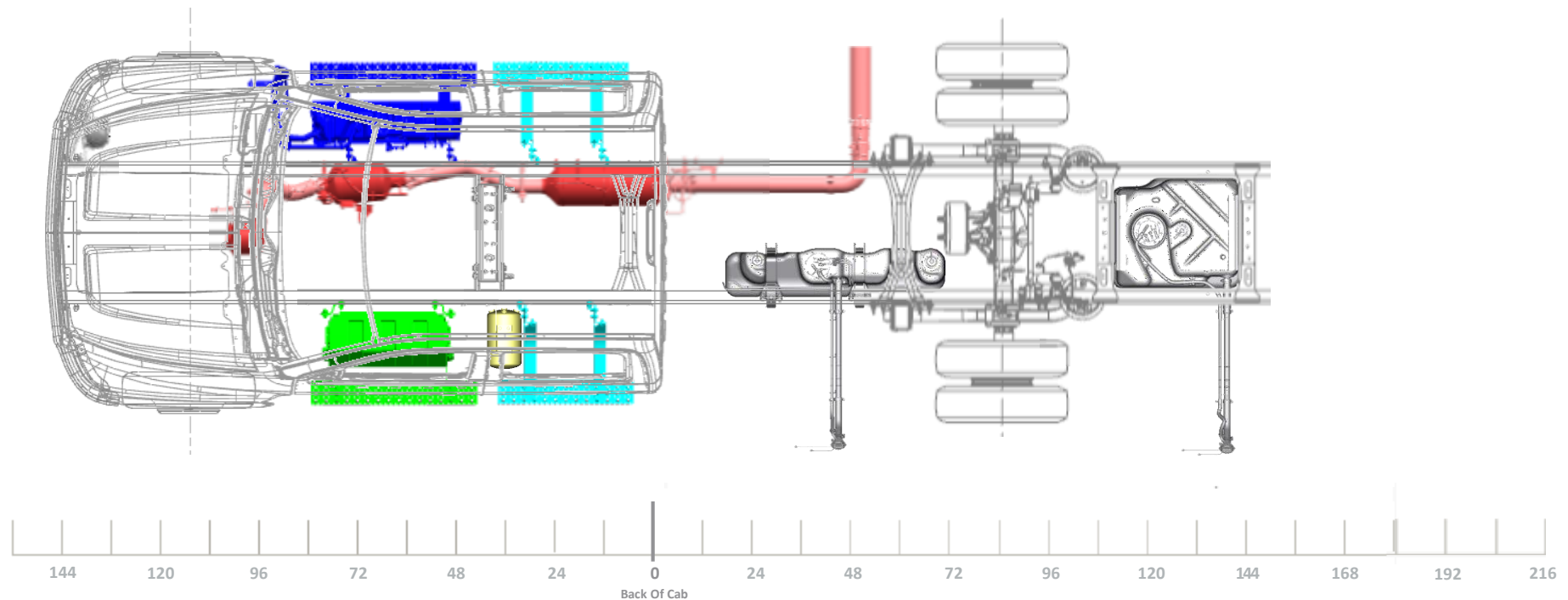
General Configuration Information
4X2 OR 4X4 TRUCK CONFIGURATION
SIDE EXIT TAILPIPE AHEAD OF REAR WHEELS, RT SIDE (RPO NPJ)
OPTIONAL AIR DRYER FWD OUTSIDE RT (RPO KUT/JPY)

Minimum Wheelbase
199" WB (84" CA) 49" OR 63" AF



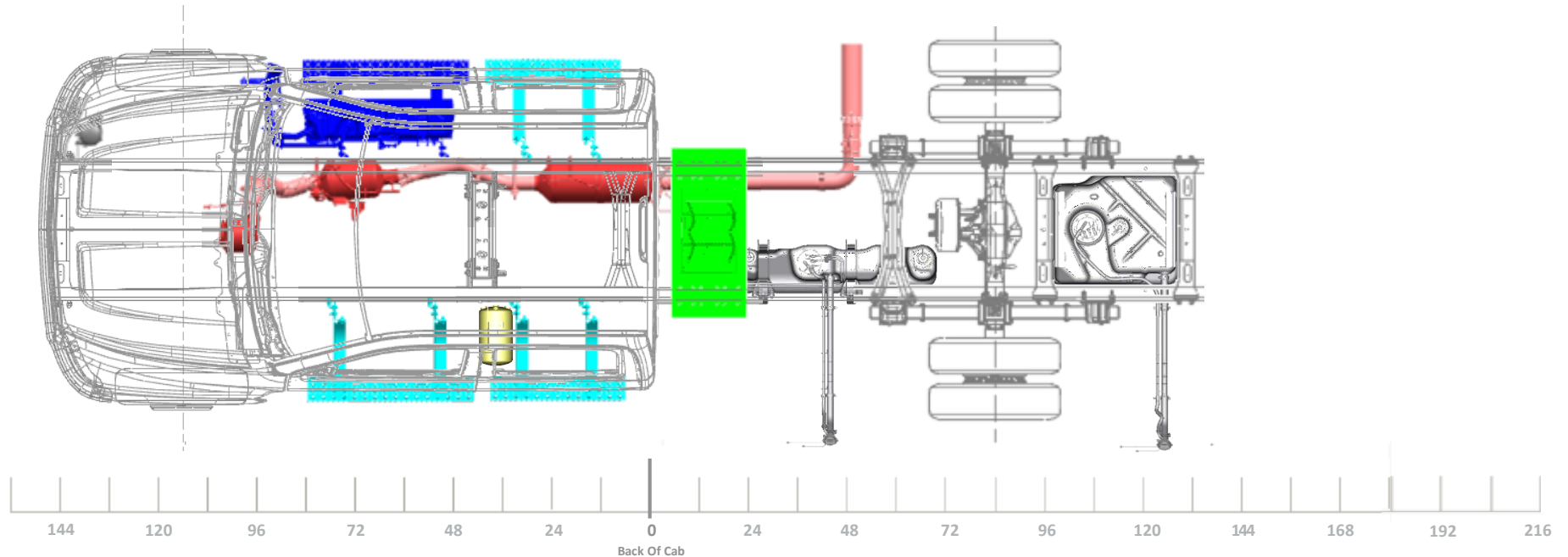
Silverado Medium Duty 4500HD/5500HD/6500HD

Model/Feature Information		General Configuration Information	Minimum Wheelbase
Model:	C56043 K56043	4X2 TRUCK CONFIGURATION IROS REAR SUSPENSION	199" WB (84" CA) 63" AF
Cab:	CREW CAB		
Aftertreatment:	HORIZONTAL	SIDE EXIT TAILPIPE AHEAD OF REAR WHEELS, RT SIDE (RPO NPJ)	
Fuel Tank:	RPO NSQ DUAL 25G CA, 40G AF		
Battery Box:	RPO 7Y7/7Y8 28" STEEL, 2 BATTERIES	OPTIONAL AIR DRYER FWD OUTSIDE RT (RPO KUT/JPY)	
Air Tanks:	(1) OUTSIDE LEFT		
DEF Tank:	6.75 GAL		
Engine:	6.6L GM DURAMAX		



Silverado Medium Duty 4500HD/5500HD/6500HD

Model/Feature Information		General Configuration Information	Minimum Wheelbase
Model:	C56043 K56043	4X2 OR 4X4 TRUCK CONFIGURATION	199" WB (84" CA) 49" OR 63" AF
Cab:	CREW CAB		
Aftertreatment:	HORIZONTAL	SIDE EXIT TAILPIPE AHEAD OF REAR WHEELS, RT SIDE (RPO NPK)	
Fuel Tank:	RPO NSQ DUAL 25G CA, 40G AF		
Battery Box:	RPO 7Y9 TEMP MTD, 3 BATT	OPTIONAL AIR DRYER FWD OUTSIDE RT (RPO KUT/JPY)	
Air Tanks:	(1) OUTSIDE LEFT		
DEF Tank:	6.75 GAL		
Engine:	6.6L GM DURAMAX		

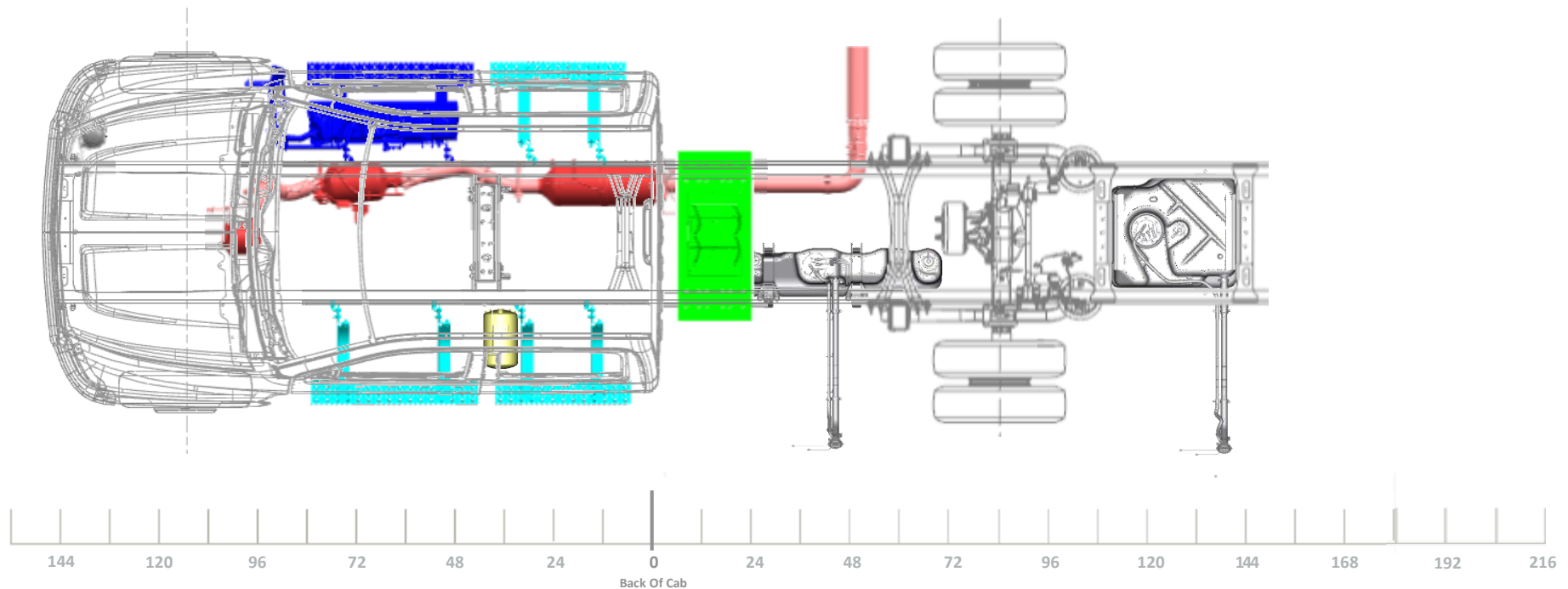


Silverado Medium Duty 4500HD/5500HD/6500HD

Model/Feature Information	
Model:	C56043 K56043
Cab:	CREW CAB
Aftertreatment:	HORIZONTAL
Fuel Tank:	RPO NSQ DUAL 25G CA, 40G AF
Battery Box:	RPO 7Y9 TEMP MTD, 3 BATT
Air Tanks:	(1) OUTSIDE LEFT
DEF Tank:	6.75 GAL
Engine:	6.6L GM DURAMAX

General Configuration Information
4X2 TRUCK CONFIGURATION IROS REAR SUSPENSION
SIDE EXIT TAILPIPE AHEAD OF REAR WHEELS, RT SIDE (RPO NPK)
OPTIONAL AIR DRYER FWD OUTSIDE RT (RPO KUT/JPY)

Minimum Wheelbase
199" WB (84" CA) 63" AF



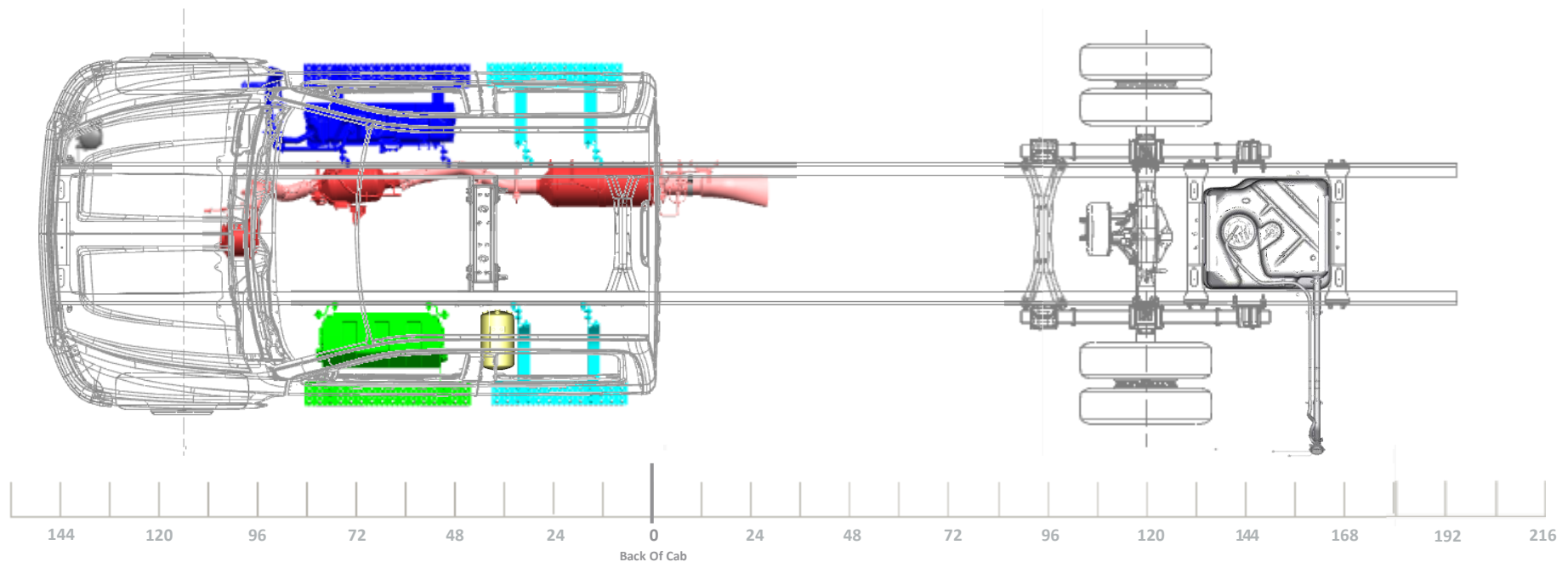
Crew Cab – 235” WB

Silverado Medium Duty 4500HD/5500HD/6500HD

Model/Feature Information	
Model:	C56043 K56043
Cab:	CREW CAB
Aftertreatment:	HORIZONTAL
Fuel Tank:	RPO N2L 40 GAL, AF MTD
Battery Box:	RPO 7Y7/7Y8 28" STEEL, 2 BATTERIES
Air Tanks:	(1) OUTSIDE LEFT
DEF Tank:	6.75 GAL
Engine:	6.6L GM DURAMAX

General Configuration Information
4X2 OR 4X4 TRUCK CONFIGURATION
STRAIGHT TAILPIPE (RPO N12)
OPTIONAL AIR DRYER FWD OUTSIDE RT (RPO KUT/JPY)

Minimum Wheelbase
235" WB (120" CA) 75" AF

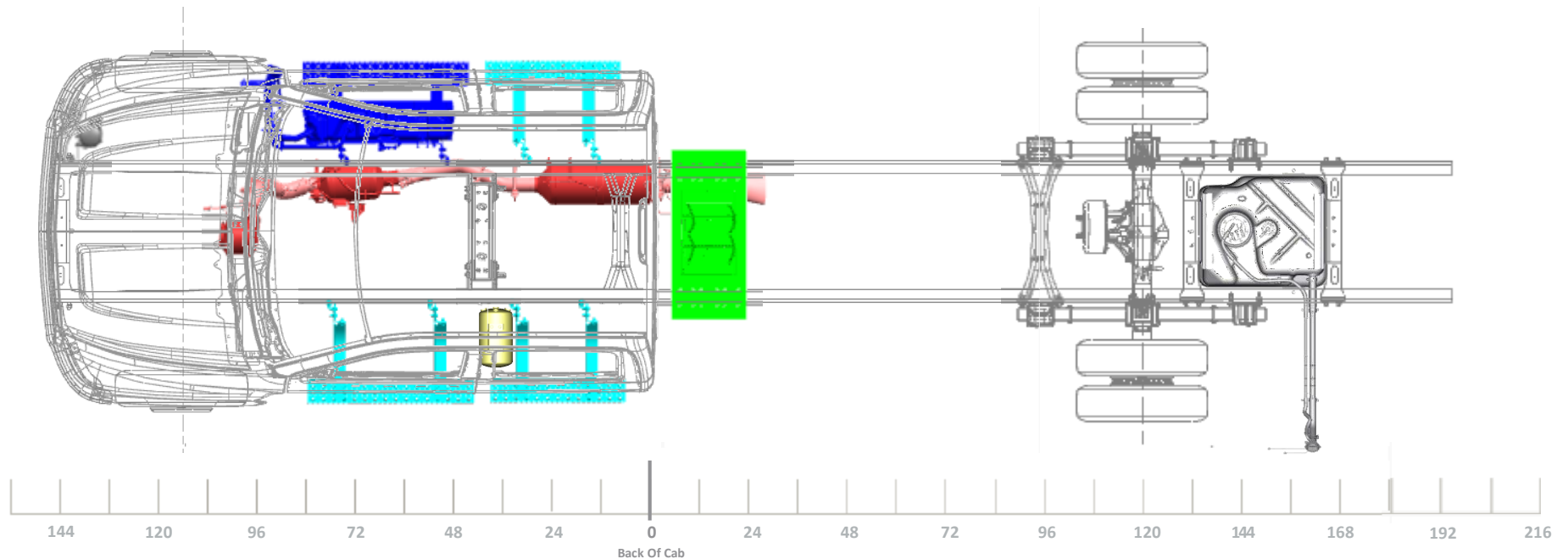


Silverado Medium Duty 4500HD/5500HD/6500HD

Model/Feature Information	
Model:	C56043 K56043
Cab:	CREW CAB
Aftertreatment:	HORIZONTAL
Fuel Tank:	RPO N2L 40 GAL, AF MTD
Battery Box:	RPO 7Y9 TEMP MTD, 3 BATT
Air Tanks:	(1) OUTSIDE LEFT
DEF Tank:	6.75 GAL
Engine:	6.6L GM DURAMAX

General Configuration Information
4X2 OR 4X4 TRUCK CONFIGURATION
STRAIGHT TAILPIPE (RPO N12)
OPTIONAL AIR DRYER FWD OUTSIDE RT (RPO KUT/JPY)

Minimum Wheelbase
235" WB (120" CA) 75" AF

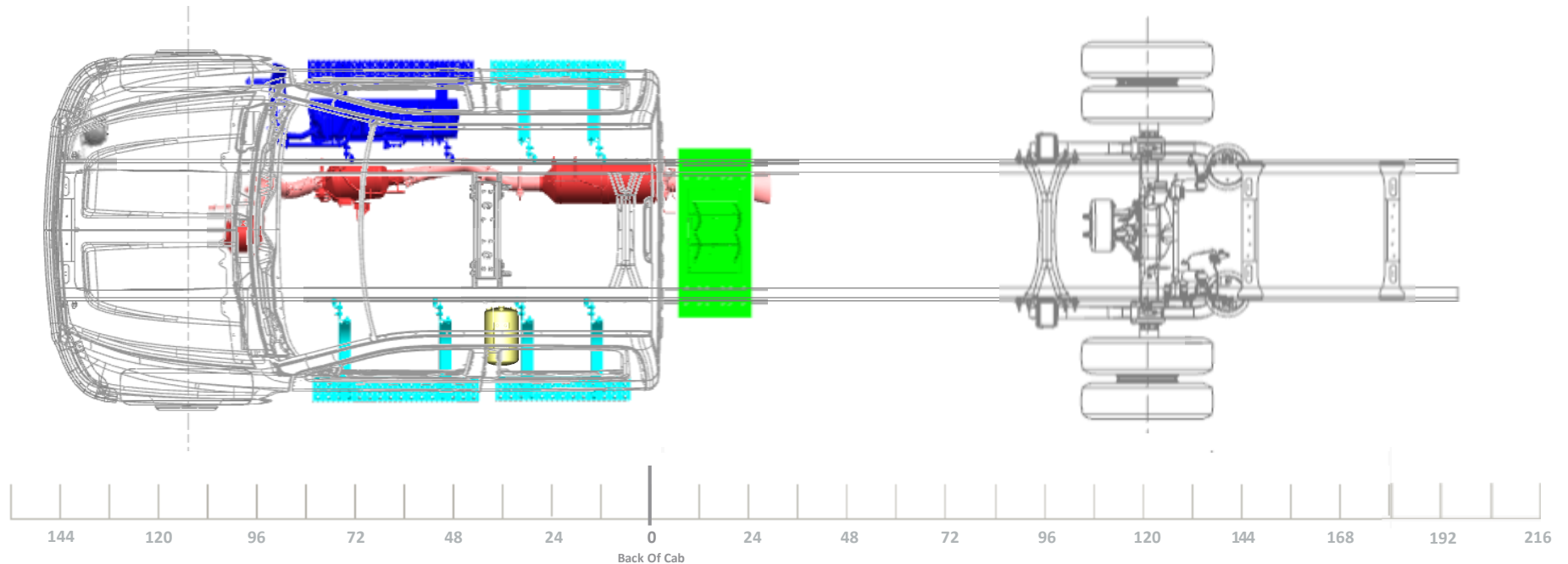


Silverado Medium Duty 4500HD/5500HD/6500HD

Model/Feature Information	
Model:	C56043 K56043
Cab:	CREW CAB
Aftertreatment:	HORIZONTAL
Fuel Tank:	RPO N2L 40 GAL, AF MTD
Battery Box:	RPO 7Y9 TEMP MTD, 3 BATT
Air Tanks:	(1) OUTSIDE LEFT
DEF Tank:	6.75 GAL
Engine:	6.6L GM DURAMAX

General Configuration Information
4X2 TRUCK CONFIGURATION IROS REAR SUSPENSION
STRAIGHT TAILPIPE (RPO N12)
OPTIONAL AIR DRYER FWD OUTSIDE RT (RPO KUT/JPY)

Minimum Wheelbase
235" WB (120" CA) 75" AF

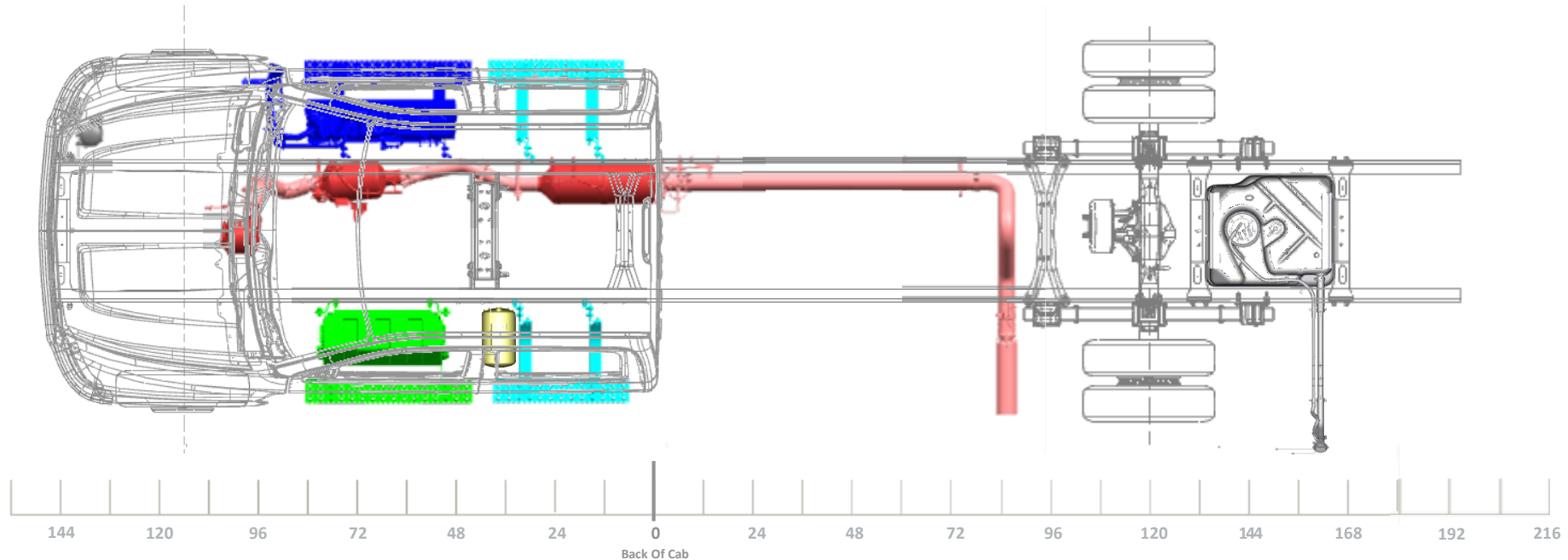


Silverado Medium Duty 4500HD/5500HD/6500HD

Model/Feature Information	
Model:	C56043 K56043
Cab:	CREW CAB
Aftertreatment:	HORIZONTAL
Fuel Tank:	RPO N2L 40 GAL, AF MTD
Battery Box:	RPO 7Y7/7Y8 28" STEEL, 2 BATTERIES
Air Tanks:	(1) OUTSIDE LEFT
DEF Tank:	6.75 GAL
Engine:	6.6L GM DURAMAX

General Configuration Information
4X2 OR 4X4 TRUCK CONFIGURATION
SIDE EXIT TAILPIPE AHEAD OF REAR WHEELS, LT SIDE (RPO NPJ)
OPTIONAL AIR DRYER FWD OUTSIDE RT (RPO KUT/JPY)

Minimum Wheelbase
235" WB (120" CA) 75" AF

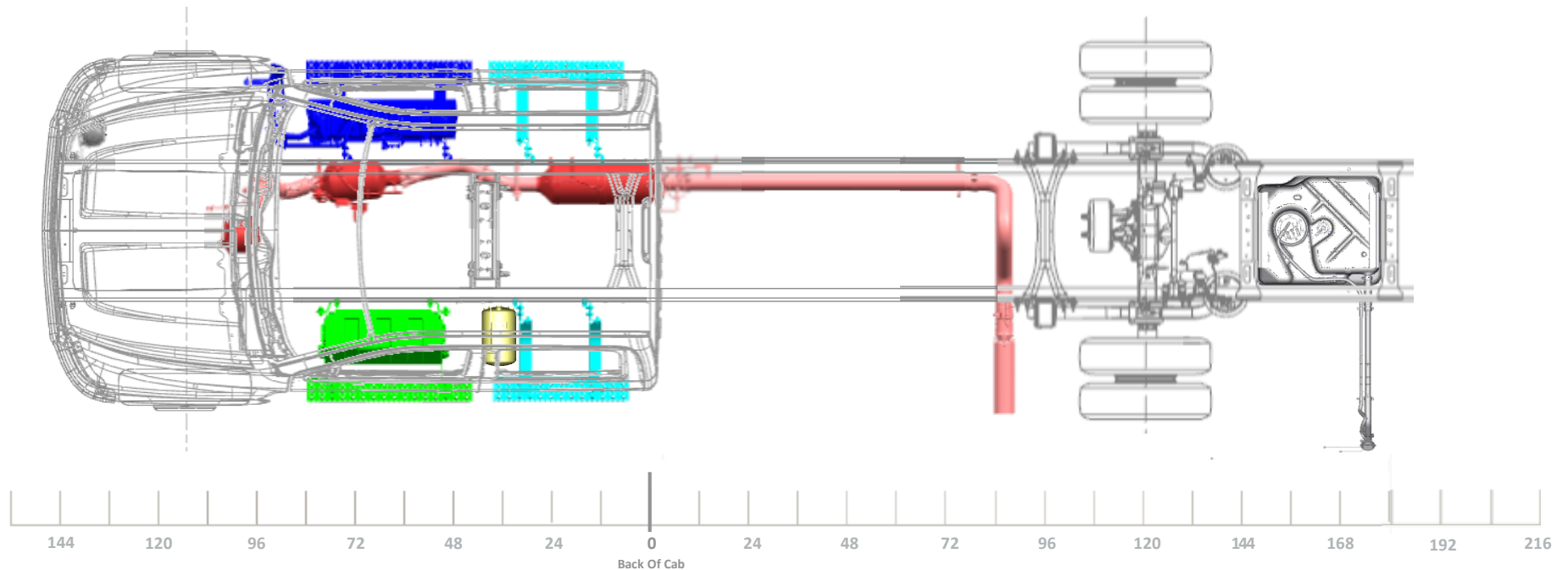


Silverado Medium Duty 4500HD/5500HD/6500HD

Model/Feature Information	
Model:	C56043 K56043
Cab:	CREW CAB
Aftertreatment:	HORIZONTAL
Fuel Tank:	RPO N2L 40 GAL, AF MTD
Battery Box:	RPO 7Y7/7Y8 28" STEEL, 2 BATTERIES
Air Tanks:	(1) OUTSIDE LEFT
DEF Tank:	6.75 GAL
Engine:	6.6L GM DURAMAX

General Configuration Information
4X2 TRUCK CONFIGURATION IROS REAR SUSPENSION
SIDE EXIT TAILPIPE AHEAD OF REAR WHEELS, LT SIDE (RPO NPJ)
OPTIONAL AIR DRYER FWD OUTSIDE RT (RPO KUT/JPY)

Minimum Wheelbase
235" WB (120" CA) 75" AF

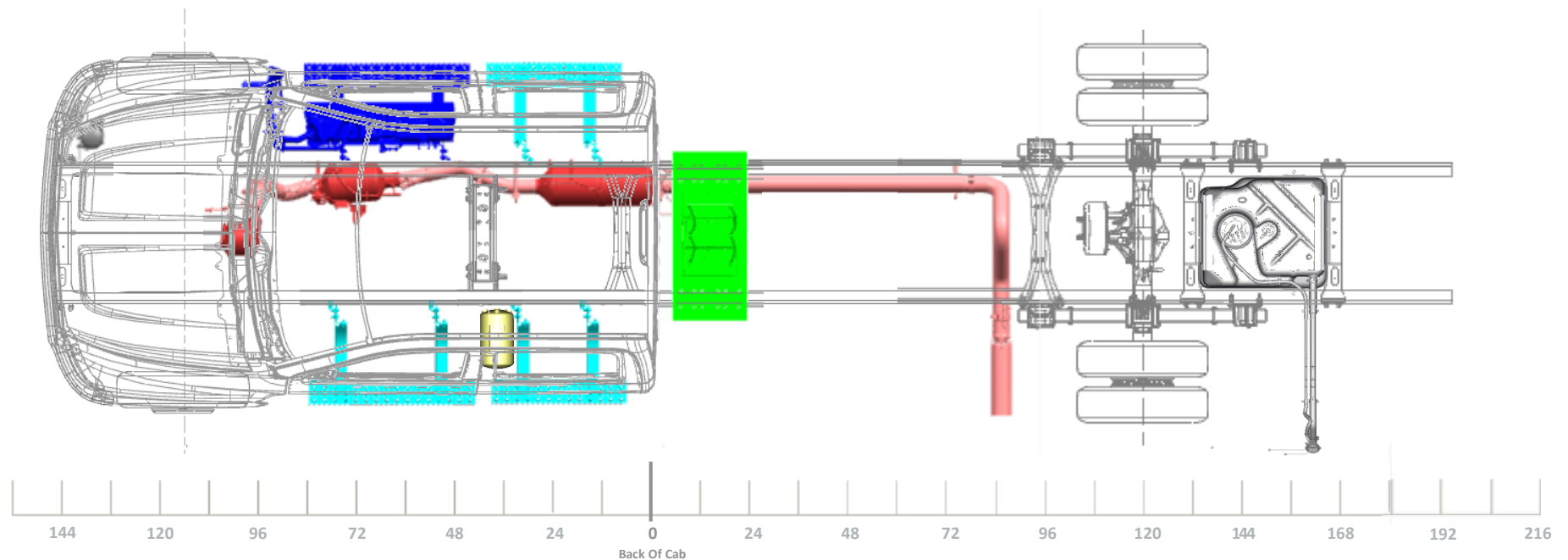


Silverado Medium Duty 4500HD/5500HD/6500HD

Model/Feature Information	
Model:	C56043 K56043
Cab:	CREW CAB
Aftertreatment:	HORIZONTAL
Fuel Tank:	RPO N2L 40 GAL, AF MTD
Battery Box:	RPO 7Y9 TEMP MTD, 3 BATT
Air Tanks:	(1) OUTSIDE LEFT
DEF Tank:	6.75 GAL
Engine:	6.6L GM DURAMAX

General Configuration Information
4X2 OR 4X4 TRUCK CONFIGURATION
SIDE EXIT TAILPIPE AHEAD OF REAR WHEELS, LT SIDE (RPO NPJ)
OPTIONAL AIR DRYER FWD OUTSIDE RT (RPO KUT/JPY)

Minimum Wheelbase
235" WB (120" CA) 75" AF

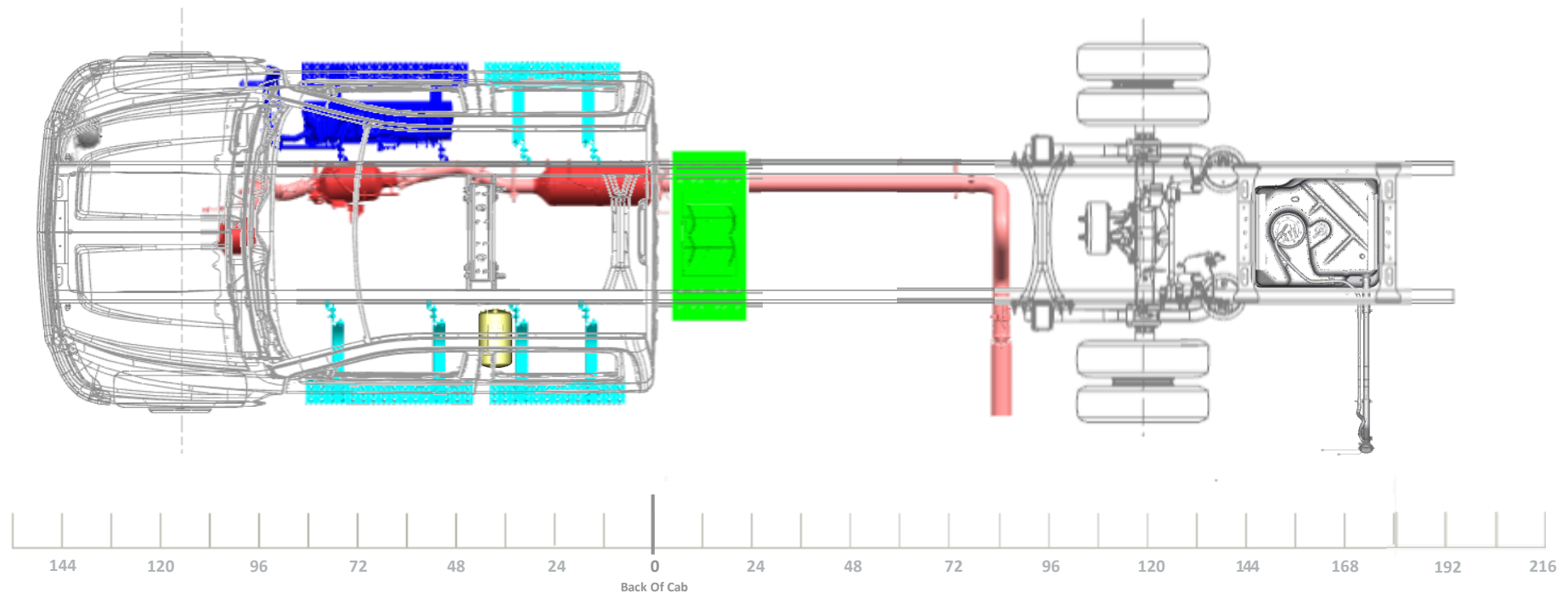


Silverado Medium Duty 4500HD/5500HD/6500HD

Model/Feature Information	
Model:	C56043 K56043
Cab:	CREW CAB
Aftertreatment:	HORIZONTAL
Fuel Tank:	RPO N2L 40 GAL, AF MTD
Battery Box:	RPO 7Y9 TEMP MTD, 3 BATT
Air Tanks:	(1) OUTSIDE LEFT
DEF Tank:	6.75 GAL
Engine:	6.6L GM DURAMAX

General Configuration Information
4X2 TRUCK CONFIGURATION IROS REAR SUSPENSION
SIDE EXIT TAILPIPE AHEAD OF REAR WHEELS, LT SIDE (RPO NPJ)
OPTIONAL AIR DRYER FWD OUTSIDE RT (RPO KUT/JPY)

Minimum Wheelbase
235" WB (120" CA) 75" AF

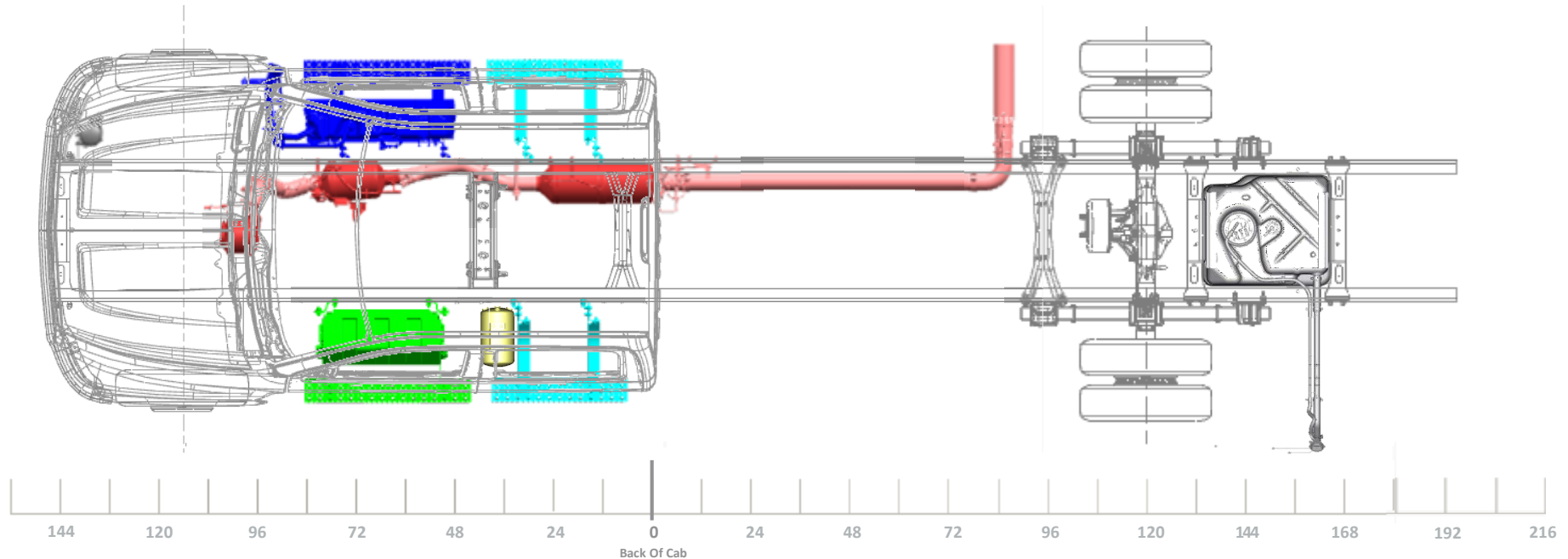


Silverado Medium Duty 4500HD/5500HD/6500HD

Model/Feature Information	
Model:	C56043 K56043
Cab:	CREW CAB
Aftertreatment:	HORIZONTAL
Fuel Tank:	RPO N2L 40 GAL, AF MTD
Battery Box:	RPO 7Y7/7Y8 28" STEEL, 2 BATTERIES
Air Tanks:	(1) OUTSIDE LEFT
DEF Tank:	6.75 GAL
Engine:	6.6L GM DURAMAX

General Configuration Information
4X2 OR 4X4 TRUCK CONFIGURATION
SIDE EXIT TAILPIPE AHEAD OF REAR WHEELS, RT SIDE (RPO NPK)
OPTIONAL AIR DRYER FWD OUTSIDE RT (RPO KUT/JPY)

Minimum Wheelbase
235" WB (120" CA) 75" AF

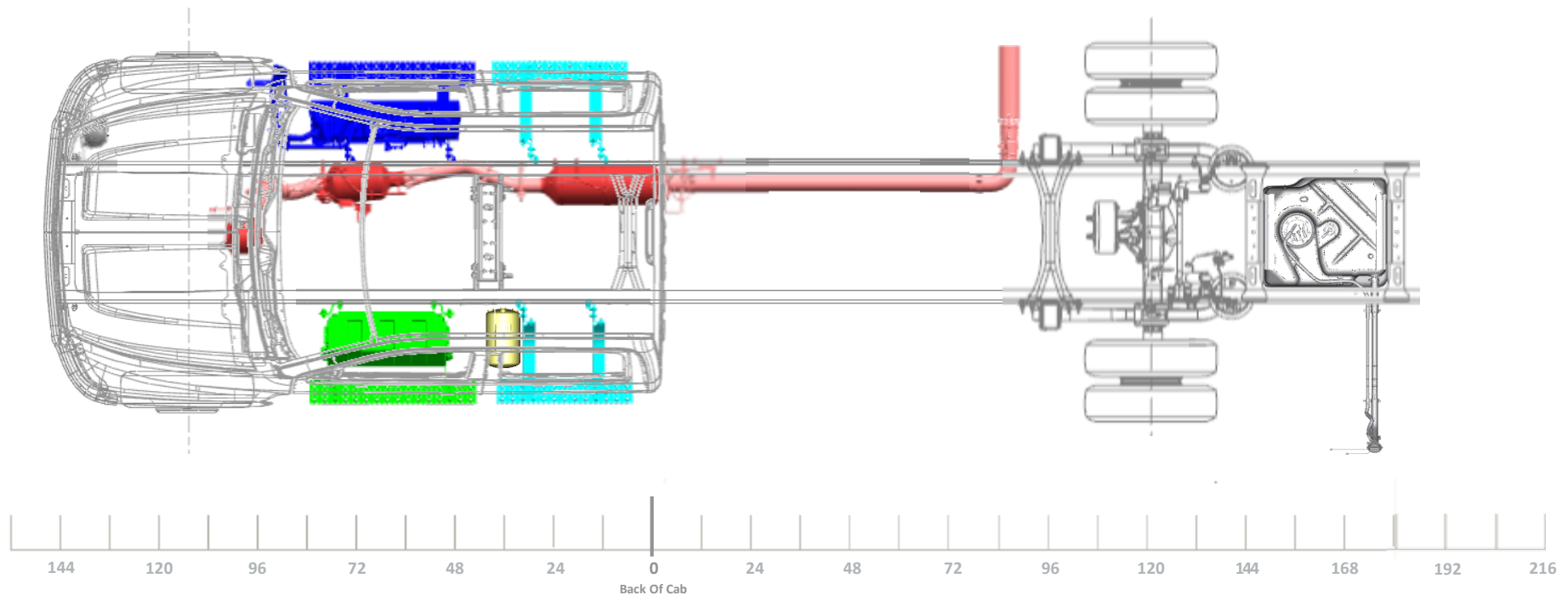


Silverado Medium Duty 4500HD/5500HD/6500HD

Model/Feature Information	
Model:	C56043 K56043
Cab:	CREW CAB
Aftertreatment:	HORIZONTAL
Fuel Tank:	RPO N2L 40 GAL, AF MTD
Battery Box:	RPO 7Y7/7Y8 28" STEEL, 2 BATTERIES
Air Tanks:	(1) OUTSIDE LEFT
DEF Tank:	6.75 GAL
Engine:	6.6L GM DURAMAX

General Configuration Information
4X2 TRUCK CONFIGURATION IROS REAR SUSPENSION
SIDE EXIT TAILPIPE AHEAD OF REAR WHEELS, RT SIDE (RPO NPK)
OPTIONAL AIR DRYER FWD OUTSIDE RT (RPO KUT/JPY)

Minimum Wheelbase
235" WB (120" CA) 75" AF

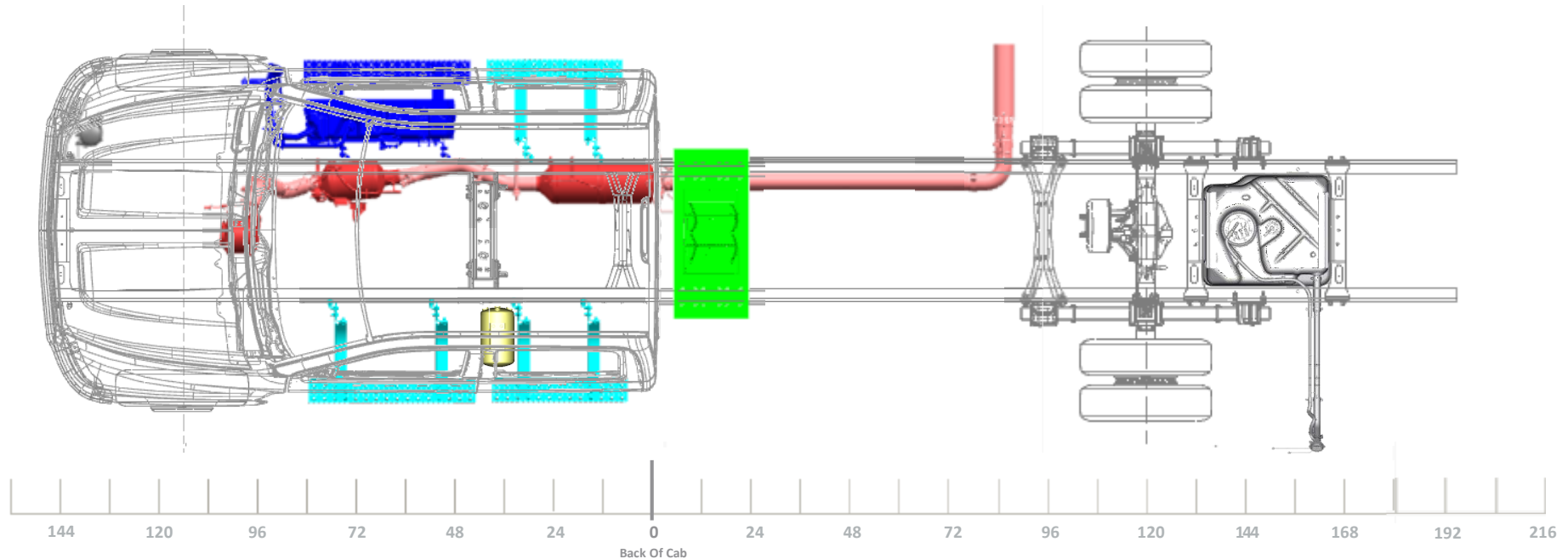


Silverado Medium Duty 4500HD/5500HD/6500HD

Model/Feature Information	
Model:	C56043 K56043
Cab:	CREW CAB
Aftertreatment:	HORIZONTAL
Fuel Tank:	RPO N2L 40 GAL, AF MTD
Battery Box:	RPO 7Y9 TEMP MTD, 3 BATT
Air Tanks:	(1) OUTSIDE LEFT
DEF Tank:	6.75 GAL
Engine:	6.6L GM DURAMAX

General Configuration Information
4X2 OR 4X4 TRUCK CONFIGURATION
SIDE EXIT TAILPIPE AHEAD OF REAR WHEELS, RT SIDE (RPO NPK)
OPTIONAL AIR DRYER FWD OUTSIDE RT (RPO KUT/JPY)

Minimum Wheelbase
235" WB (120" CA) 75" AF

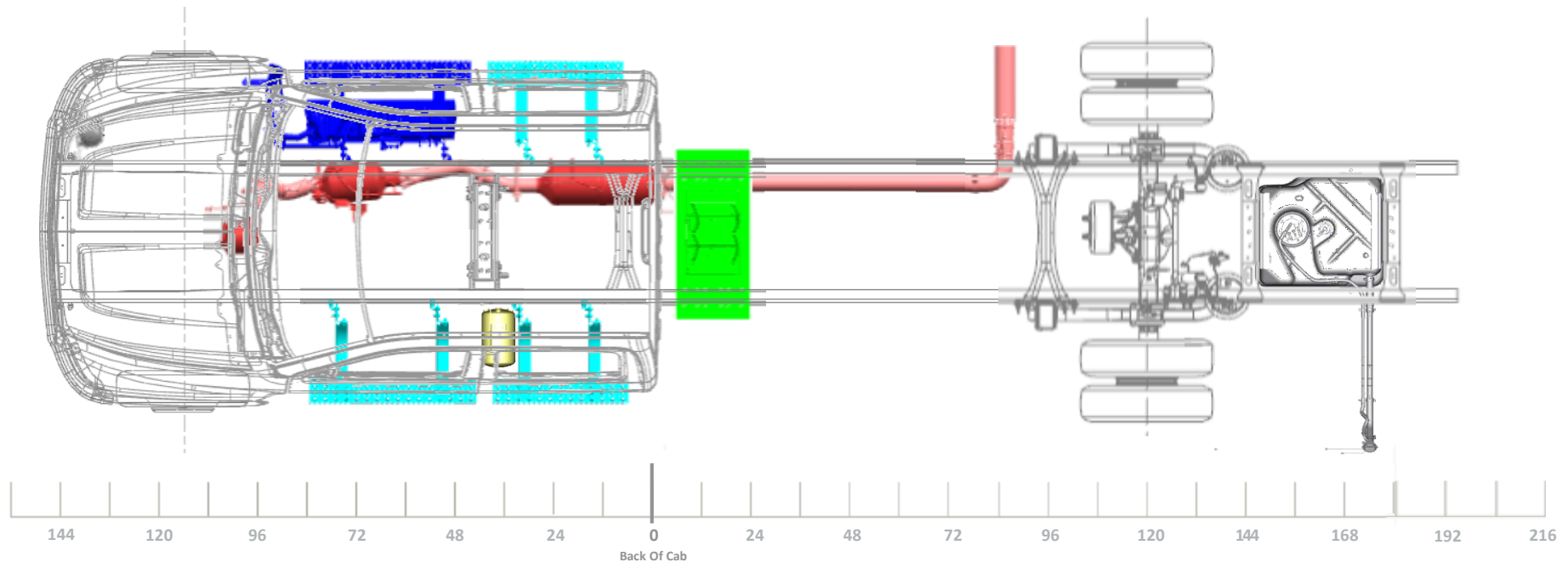


Silverado Medium Duty 4500HD/5500HD/6500HD

Model/Feature Information	
Model:	C56043 K56043
Cab:	CREW CAB
Aftertreatment:	HORIZONTAL
Fuel Tank:	RPO N2L 40 GAL, AF MTD
Battery Box:	RPO 7Y9 TEMP MTD, 3 BATT
Air Tanks:	(1) OUTSIDE LEFT
DEF Tank:	6.75 GAL
Engine:	6.6L GM DURAMAX

General Configuration Information
4X2 TRUCK CONFIGURATION IROS REAR SUSPENSION
SIDE EXIT TAILPIPE AHEAD OF REAR WHEELS, RT SIDE (RPO NPK)
OPTIONAL AIR DRYER FWD OUTSIDE RT (RPO KUT/JPY)

Minimum Wheelbase
235" WB (120" CA) 75" AF

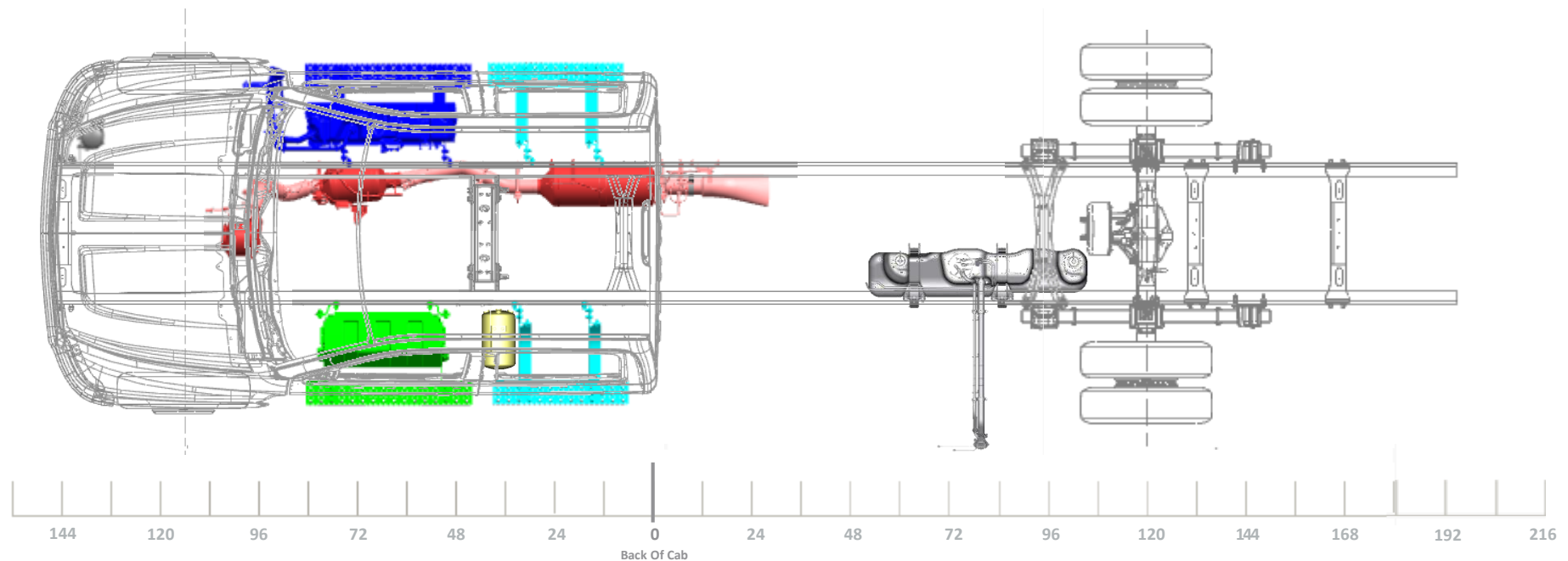


Silverado Medium Duty 4500HD/5500HD/6500HD

Model/Feature Information	
Model:	C56043 K56043
Cab:	CREW CAB
Aftertreatment:	HORIZONTAL
Fuel Tank:	RPO NVK 25 GAL, CA MTD
Battery Box:	RPO 7Y7/7Y8 28" STEEL, 2 BATTERIES
Air Tanks:	(1) OUTSIDE LEFT
DEF Tank:	6.75 GAL
Engine:	6.6L GM DURAMAX

General Configuration Information
4X2 OR 4X4 TRUCK CONFIGURATION
STRAIGHT TAILPIPE (RPO N12)
OPTIONAL AIR DRYER FWD OUTSIDE RT (RPO KUT/JPY)

Minimum Wheelbase
235" WB (120" CA) 75" AF

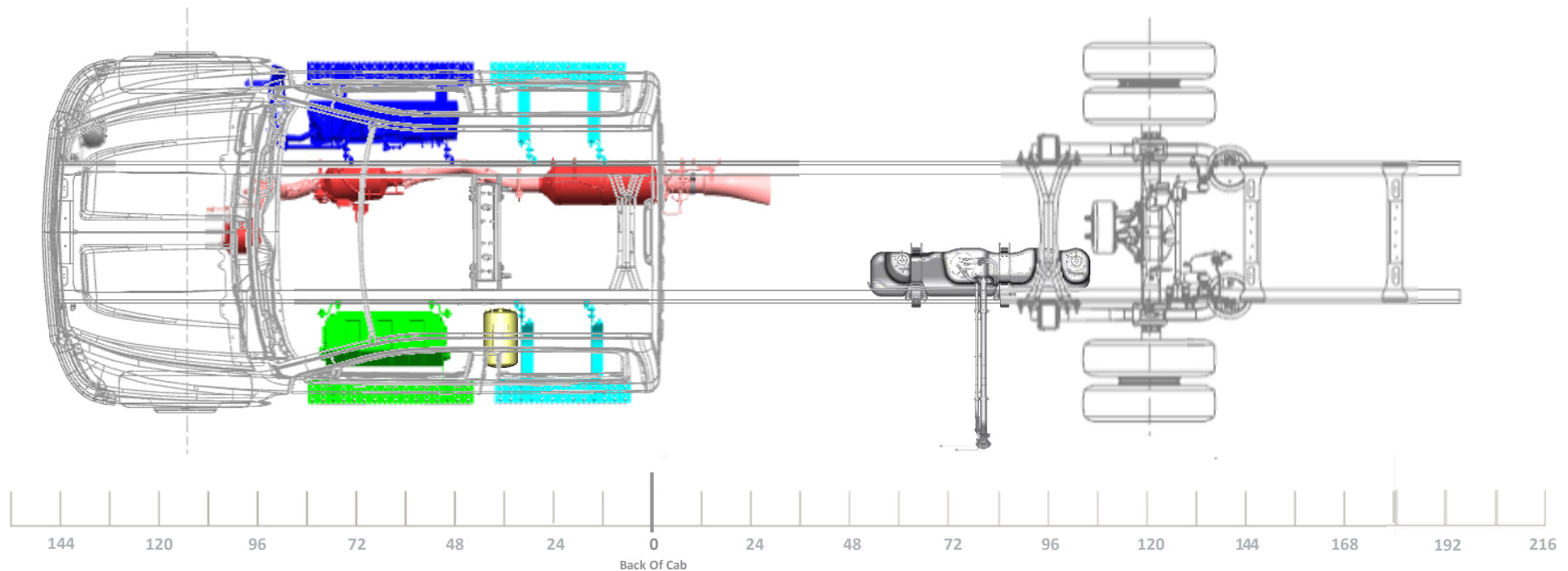


Silverado Medium Duty 4500HD/5500HD/6500HD

Model/Feature Information	
Model:	C56043 K56043
Cab:	CREW CAB
Aftertreatment:	HORIZONTAL
Fuel Tank:	RPO NVK 25 GAL, CA MTD
Battery Box:	RPO 7Y7/7Y8 28" STEEL, 2 BATTERIES
Air Tanks:	(1) OUTSIDE LEFT
DEF Tank:	6.75 GAL
Engine:	6.6L GM DURAMAX

General Configuration Information
4X2 TRUCK CONFIGURATION IROS REAR SUSPENSION
STRAIGHT TAILPIPE (RPO N12)
OPTIONAL AIR DRYER FWD OUTSIDE RT (RPO KUT/JPY)

Minimum Wheelbase
235" WB (120" CA) 75" AF

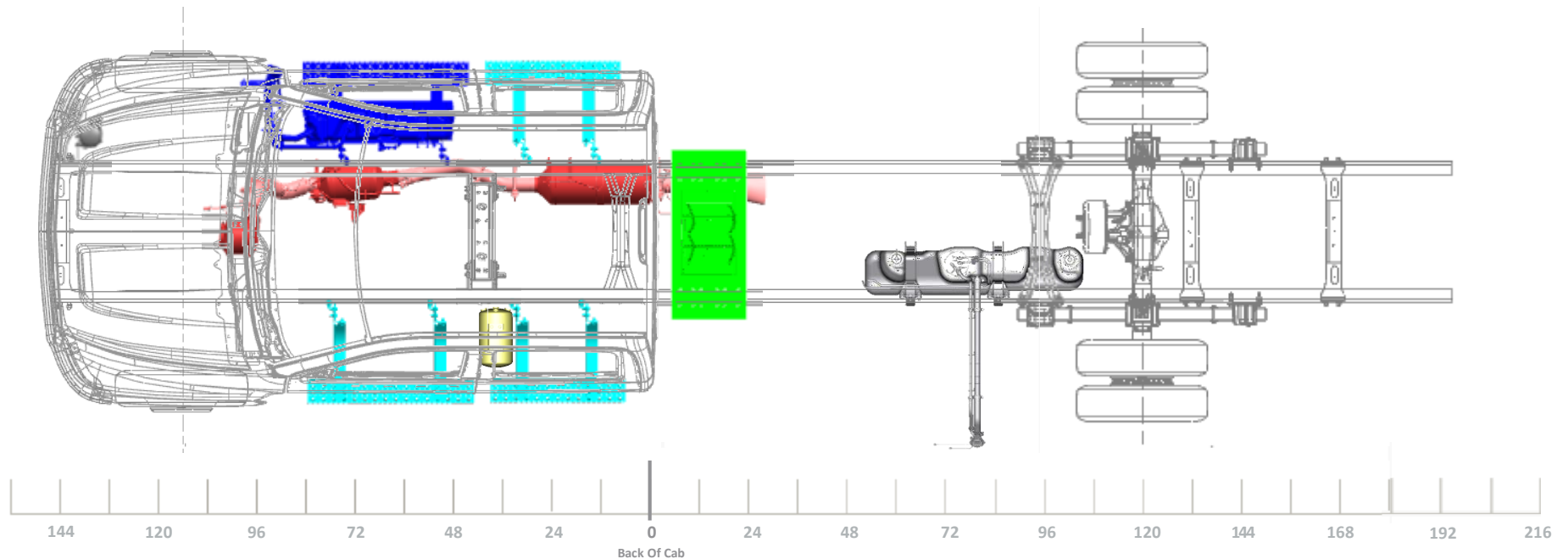


Silverado Medium Duty 4500HD/5500HD/6500HD

Model/Feature Information	
Model:	C56043 K56043
Cab:	CREW CAB
Aftertreatment:	HORIZONTAL
Fuel Tank:	RPO NVK 25 GAL, CA MTD
Battery Box:	RPO 7Y9 TEMP MTD, 3 BATT
Air Tanks:	(1) OUTSIDE LEFT
DEF Tank:	6.75 GAL
Engine:	6.6L GM DURAMAX

General Configuration Information
4X2 OR 4X4 TRUCK CONFIGURATION
STRAIGHT TAILPIPE (RPO N12)
OPTIONAL AIR DRYER FWD OUTSIDE RT (RPO KUT/JPY)

Minimum Wheelbase
235" WB (120" CA) 75" AF

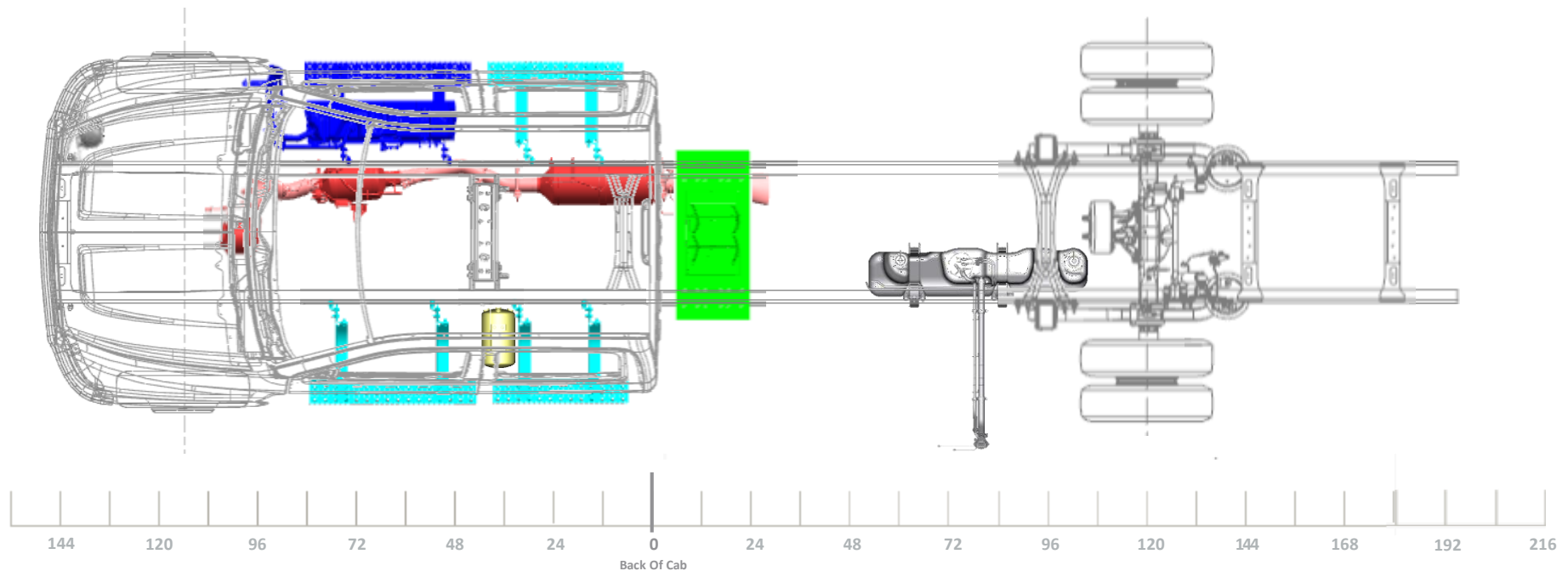


Silverado Medium Duty 4500HD/5500HD/6500HD

Model/Feature Information	
Model:	C56043 K56043
Cab:	CREW CAB
Aftertreatment:	HORIZONTAL
Fuel Tank:	RPO NVK 25 GAL, CA MTD
Battery Box:	RPO 7Y9 TEMP MTD, 3 BATT
Air Tanks:	(1) OUTSIDE LEFT
DEF Tank:	6.75 GAL
Engine:	6.6L GM DURAMAX

General Configuration Information
4X2 TRUCK CONFIGURATION IROS REAR SUSPENSION
STRAIGHT TAILPIPE (RPO N12)
OPTIONAL AIR DRYER FWD OUTSIDE RT (RPO KUT/JPY)

Minimum Wheelbase
235" WB (120" CA) 75" AF

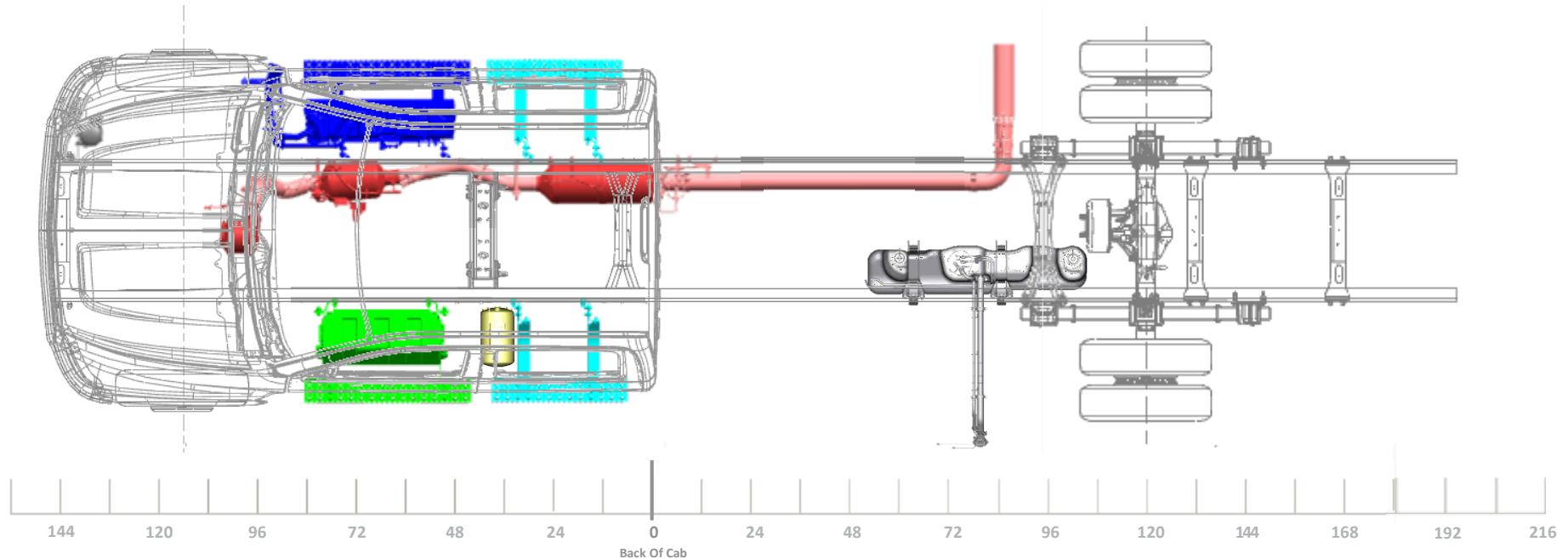


Silverado Medium Duty 4500HD/5500HD/6500HD

Model/Feature Information	
Model:	C56043 K56043
Cab:	CREW CAB
Aftertreatment:	HORIZONTAL
Fuel Tank:	RPO NVK 25 GAL, CA MTD
Battery Box:	RPO 7Y7/7Y8 28" STEEL, 2 BATTERIES
Air Tanks:	(1) OUTSIDE LEFT
DEF Tank:	6.75 GAL
Engine:	6.6L GM DURAMAX

General Configuration Information
4X2 OR 4X4 TRUCK CONFIGURATION
SIDE EXIT TAILPIPE AHEAD OF REAR WHEELS, RT SIDE (RPO NPK)
OPTIONAL AIR DRYER FWD OUTSIDE RT (RPO KUT/JPY)

Minimum Wheelbase
235" WB (120" CA) 75" AF

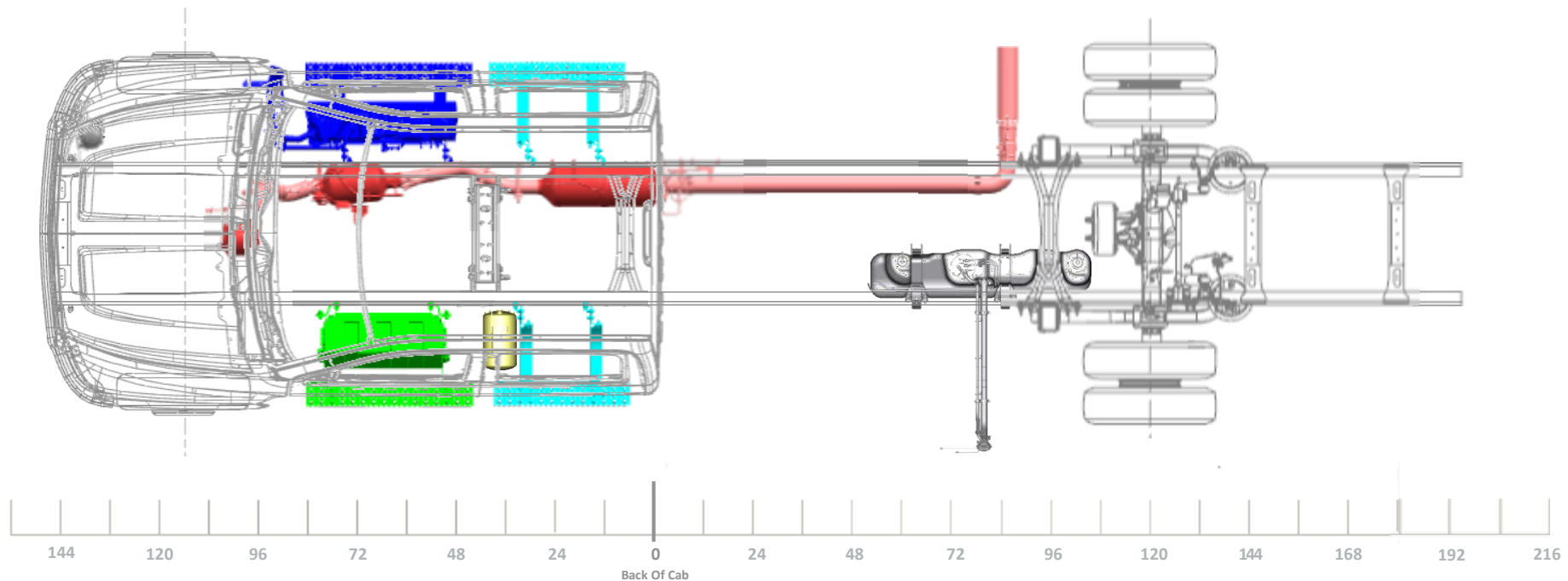


2020 Silverado Medium Duty 4500HD/5500HD/6500HD

Model/Feature Information	
Model:	C56043 K56043
Cab:	CREW CAB
Aftertreatment:	HORIZONTAL
Fuel Tank:	RPO NVK 25 GAL, CA MTD
Battery Box:	RPO 7Y7/7Y8 28" STEEL, 2 BATTERIES
Air Tanks:	(1) OUTSIDE LEFT
DEF Tank:	6.75 GAL
Engine:	6.6L GM DURAMAX

General Configuration Information
4X2 TRUCK CONFIGURATION IROS REAR SUSPENSION
SIDE EXIT TAILPIPE AHEAD OF REAR WHEELS, RT SIDE (RPO NPK)
OPTIONAL AIR DRYER FWD OUTSIDE RT (RPO KUT/JPY)

Minimum Wheelbase
235" WB (120" CA) 75" AF

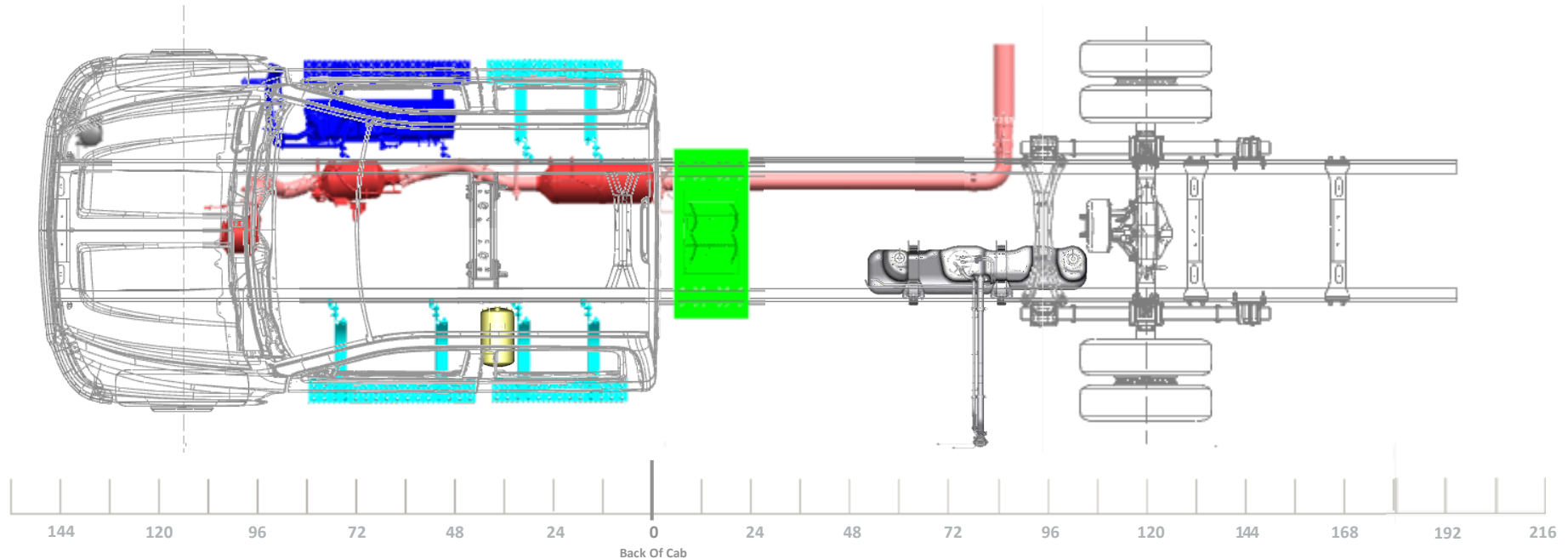


Silverado Medium Duty 4500HD/5500HD/6500HD

Model/Feature Information	
Model:	C56043 K56043
Cab:	CREW CAB
Aftertreatment:	HORIZONTAL
Fuel Tank:	RPO NVK 25 GAL, CA MTD
Battery Box:	RPO 7Y9 TEMP MTD, 3 BATT
Air Tanks:	(1) OUTSIDE LEFT
DEF Tank:	6.75 GAL
Engine:	6.6L GM DURAMAX

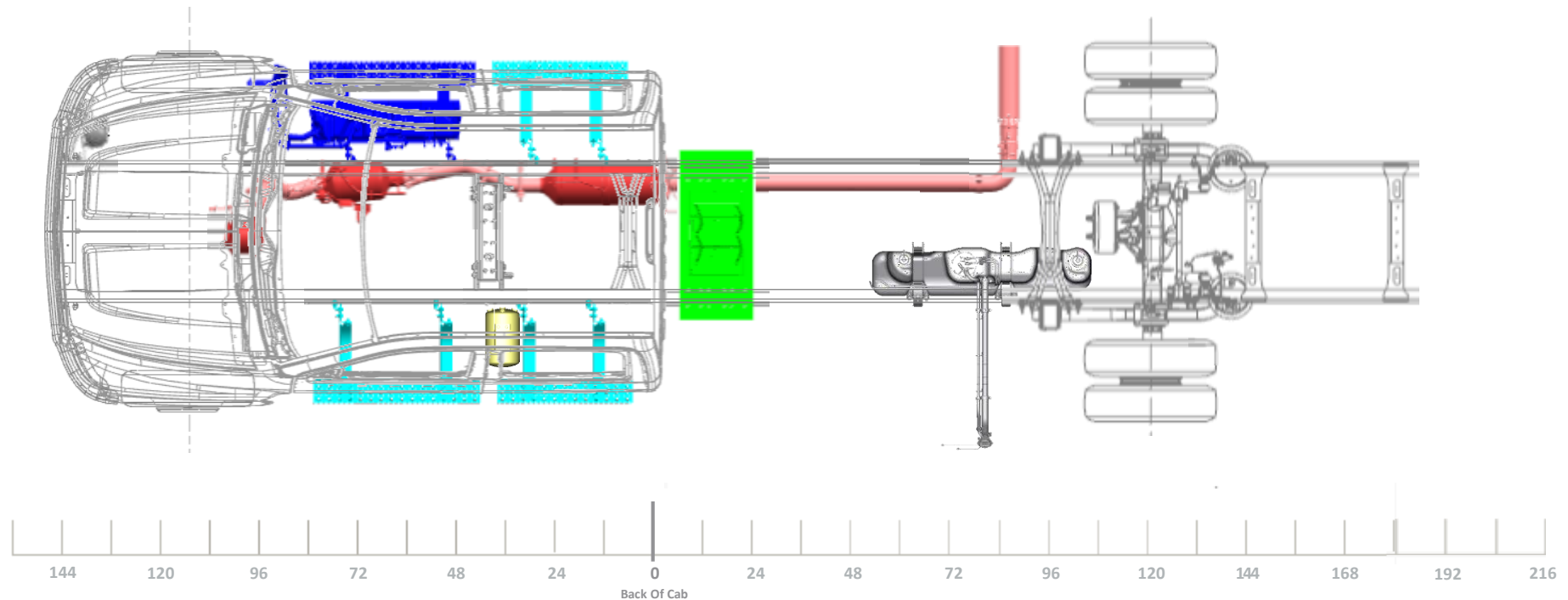
General Configuration Information
4X2 OR 4X4 TRUCK CONFIGURATION
SIDE EXIT TAILPIPE AHEAD OF REAR WHEELS, RT SIDE (RPO NPK)
OPTIONAL AIR DRYER FWD OUTSIDE RT (RPO KUT/JPY)

Minimum Wheelbase
235" WB (120" CA) 75" AF



Silverado Medium Duty 4500HD/5500HD/6500HD

Model/Feature Information		General Configuration Information	Minimum Wheelbase
Model:	C56043 K56043	4X2 TRUCK CONFIGURATION IROS REAR SUSPENSION	235" WB (120" CA) 75" AF
Cab:	CREW CAB		
Aftertreatment:	HORIZONTAL	SIDE EXIT TAILPIPE AHEAD OF REAR WHEELS, RT SIDE (RPO NPK)	
Fuel Tank:	RPO NVK 25 GAL, CA MTD		
Battery Box:	RPO 7Y9 TEMP MTD, 3 BATT	OPTIONAL AIR DRYER FWD OUTSIDE RT (RPO KUT/JPY)	
Air Tanks:	(1) OUTSIDE LEFT		
DEF Tank:	6.75 GAL		
Engine:	6.6L GM DURAMAX		

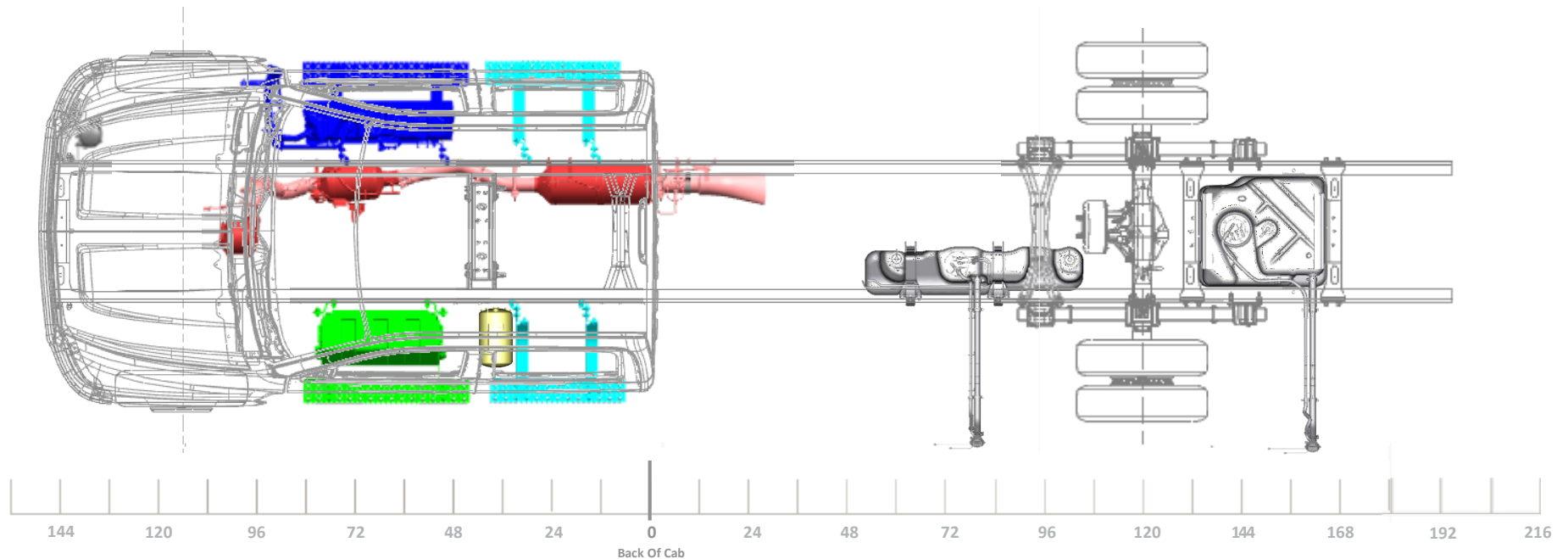


Silverado Medium Duty 4500HD/5500HD/6500HD

Model/Feature Information	
Model:	C56043 K56043
Cab:	CREW CAB
Aftertreatment:	HORIZONTAL
Fuel Tank:	RPO NSQ DUAL 25G CA, 40G AF
Battery Box:	RPO 7Y7/7Y8 28" STEEL, 2 BATTERIES
Air Tanks:	(1) OUTSIDE LEFT
DEF Tank:	6.75 GAL
Engine:	6.6L GM DURAMAX

General Configuration Information
4X2 OR 4X4 TRUCK CONFIGURATION
STRAIGHT TAILPIPE (RPO N12)
OPTIONAL AIR DRYER FWD OUTSIDE RT (RPO KUT/JPY)

Minimum Wheelbase
235" WB (120" CA) 75" AF

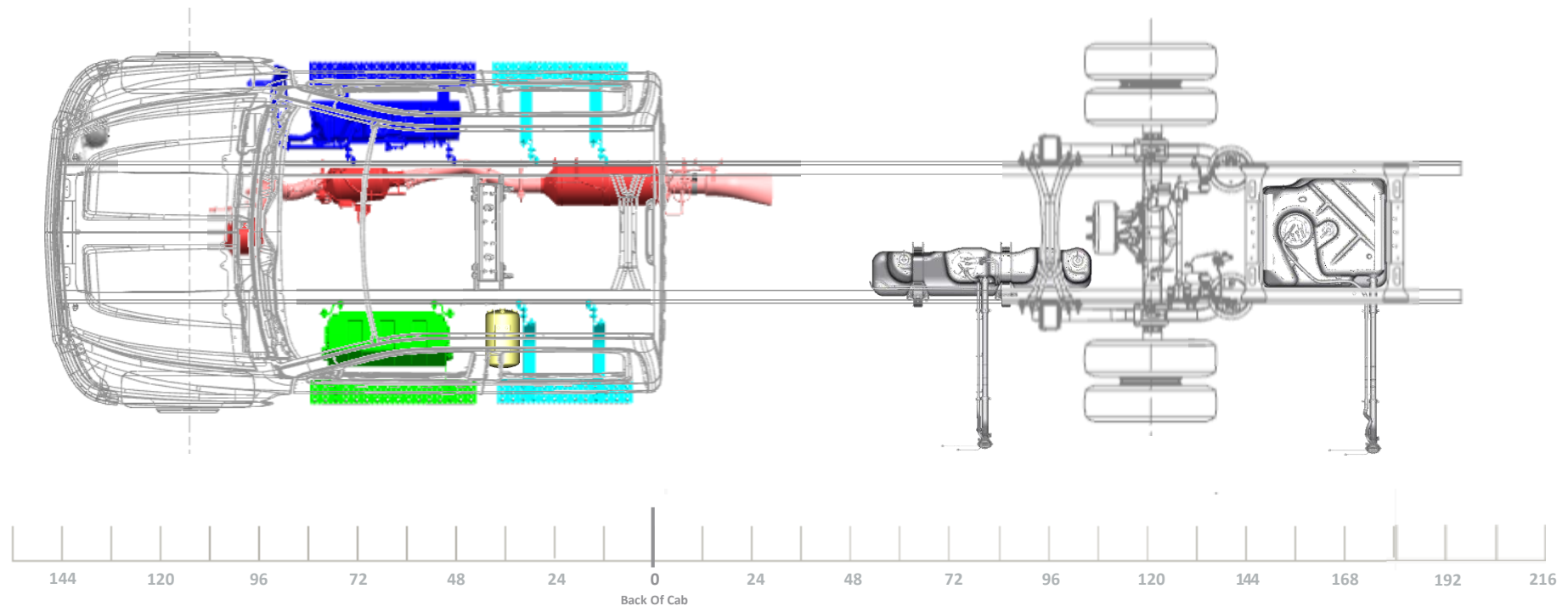


Silverado Medium Duty 4500HD/5500HD/6500HD

Model/Feature Information	
Model:	C56043 K56043
Cab:	CREW CAB
Aftertreatment:	HORIZONTAL
Fuel Tank:	RPO NSQ DUAL 25G CA, 40G AF
Battery Box:	RPO 7Y7/7Y8 28" STEEL, 2 BATTERIES
Air Tanks:	(1) OUTSIDE LEFT
DEF Tank:	6.75 GAL
Engine:	6.6L GM DURAMAX

General Configuration Information
4X2 TRUCK CONFIGURATION IROS REAR SUSPENSION
STRAIGHT TAILPIPE (RPO N12)
OPTIONAL AIR DRYER FWD OUTSIDE RT (RPO KUT/JPY)

Minimum Wheelbase
235" WB (120" CA) 75" AF

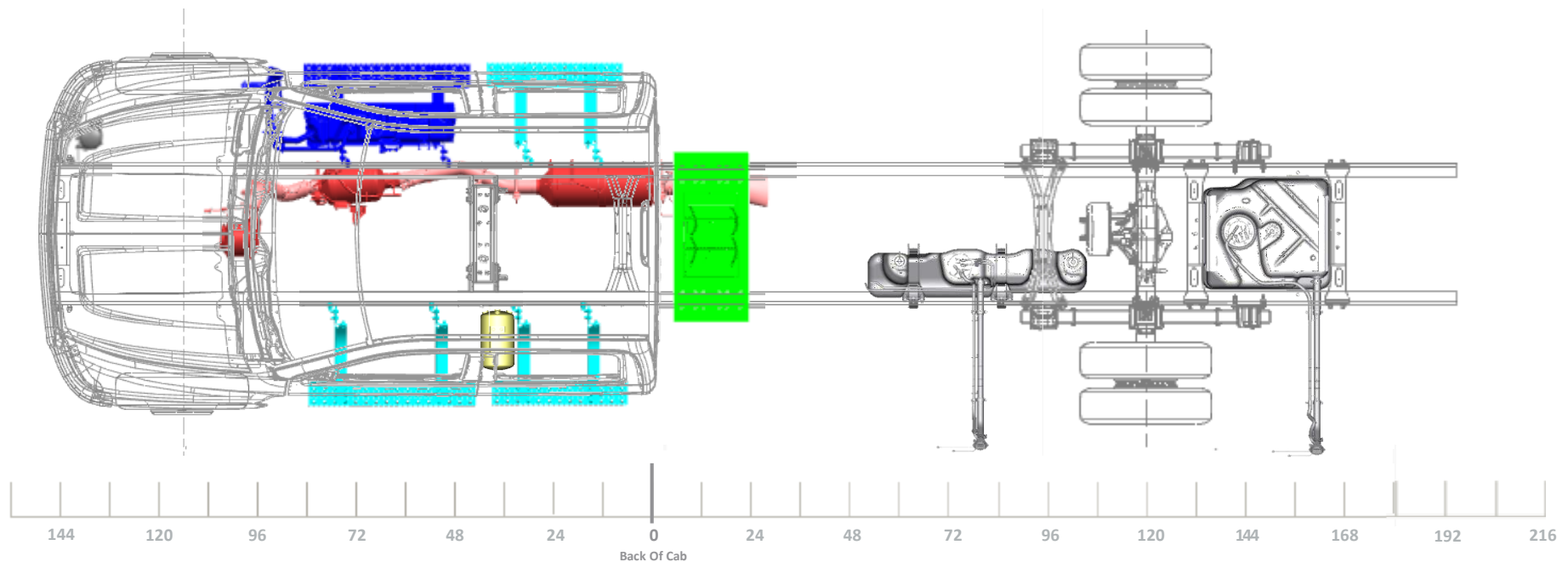


Silverado Medium Duty 4500HD/5500HD/6500HD

Model/Feature Information	
Model:	C56043 K56043
Cab:	CREW CAB
Aftertreatment:	HORIZONTAL
Fuel Tank:	RPO NSQ DUAL 25G CA, 40G AF
Battery Box:	RPO 7Y9 TEMP MTD, 3 BATT
Air Tanks:	(1) OUTSIDE LEFT
DEF Tank:	6.75 GAL
Engine:	6.6L GM DURAMAX

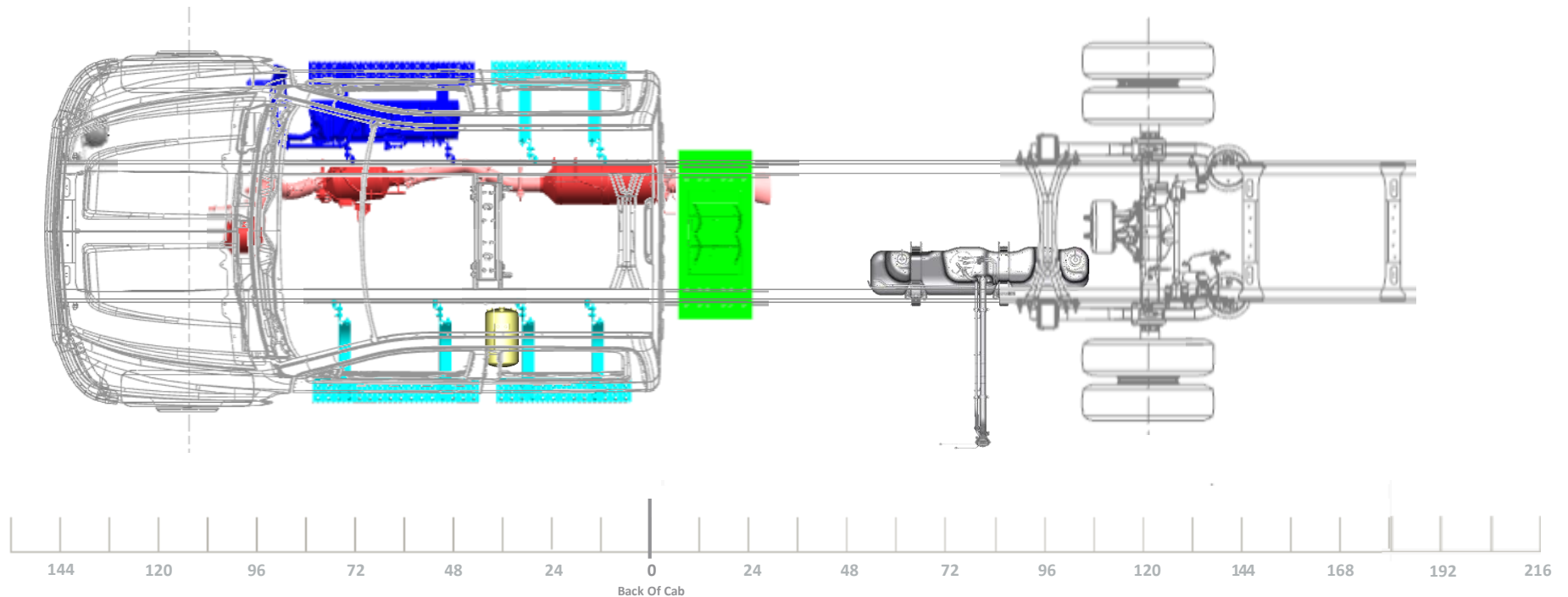
General Configuration Information
4X2 OR 4X4 TRUCK CONFIGURATION
STRAIGHT TAILPIPE (RPO N12)
OPTIONAL AIR DRYER FWD OUTSIDE RT (RPO KUT/JPY)

Minimum Wheelbase
235" WB (120" CA) 75" AF



Silverado Medium Duty 4500HD/5500HD/6500HD

Model/Feature Information		General Configuration Information	Minimum Wheelbase
Model:	C56043 K56043	4X2 TRUCK CONFIGURATION IROS REAR SUSPENSION	235" WB (120" CA) 75" AF
Cab:	CREW CAB		
Aftertreatment:	HORIZONTAL	STRAIGHT TAILPIPE (RPO N12)	
Fuel Tank:	RPO NSQ DUAL 25G CA, 40G AF		
Battery Box:	RPO 7Y9 TEMP MTD, 3 BATT	OPTIONAL AIR DRYER FWD OUTSIDE RT (RPO KUT/JPY)	
Air Tanks:	(1) OUTSIDE LEFT		
DEF Tank:	6.75 GAL		
Engine:	6.6L GM DURAMAX		

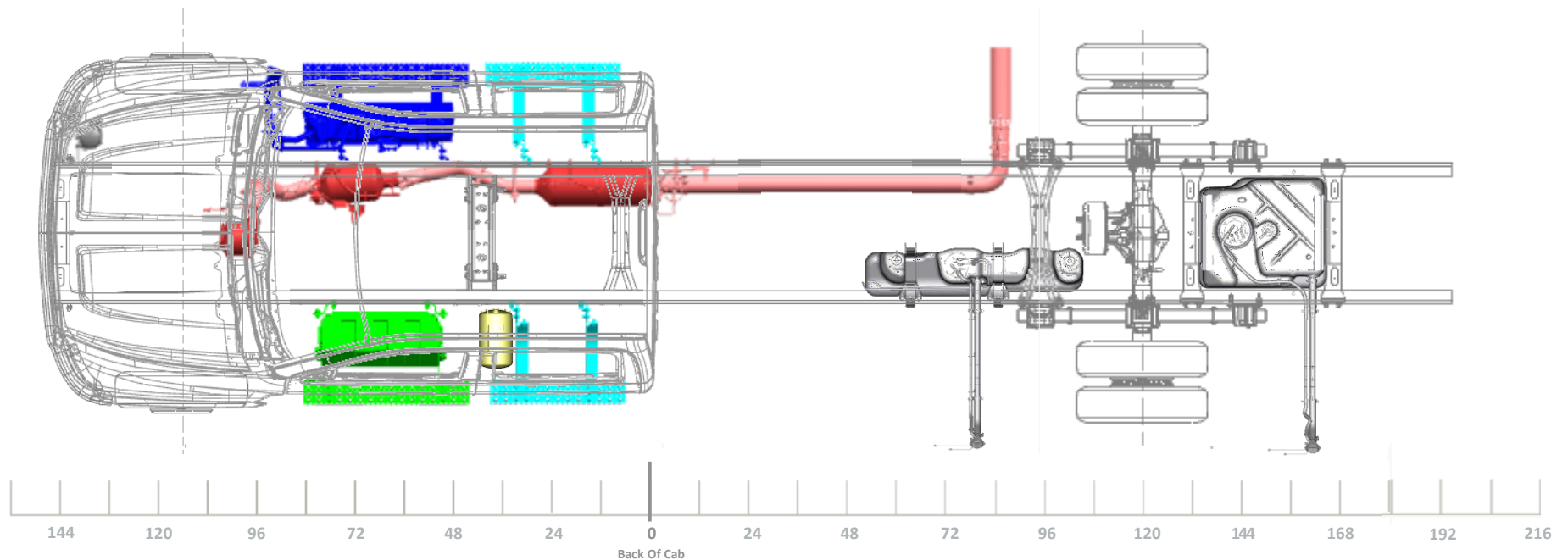


Silverado Medium Duty 4500HD/5500HD/6500HD

Model/Feature Information	
Model:	C56043 K56043
Cab:	CREW CAB
Aftertreatment:	HORIZONTAL
Fuel Tank:	RPO NSQ DUAL 25G CA, 40G AF
Battery Box:	RPO 7Y7/7Y8 28" STEEL, 2 BATTERIES
Air Tanks:	(1) OUTSIDE LEFT
DEF Tank:	6.75 GAL
Engine:	6.6L GM DURAMAX

General Configuration Information
4X2 OR 4X4 TRUCK CONFIGURATION
SIDE EXIT TAILPIPE AHEAD OF REAR WHEELS, RT SIDE (RPO NPK)
OPTIONAL AIR DRYER FWD OUTSIDE RT (RPO KUT/JPY)

Minimum Wheelbase
235" WB (120" CA) 75" AF

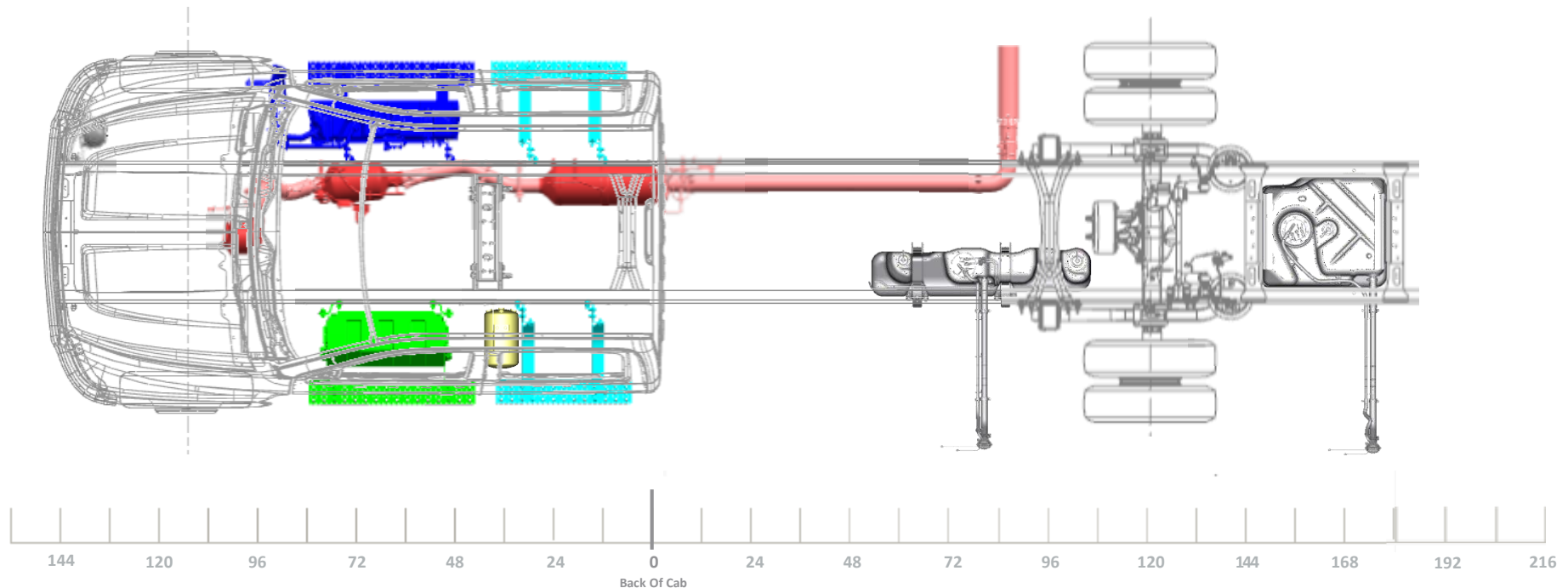


2020 Silverado Medium Duty 4500HD/5500HD/6500HD

Model/Feature Information	
Model:	C56043 K56043
Cab:	CREW CAB
Aftertreatment:	HORIZONTAL
Fuel Tank:	RPO NSQ DUAL 25G CA, 40G AF
Battery Box:	RPO 7Y7/7Y8 28" STEEL, 2 BATTERIES
Air Tanks:	(1) OUTSIDE LEFT
DEF Tank:	6.75 GAL
Engine:	6.6L GM DURAMAX

General Configuration Information
4X2 TRUCK CONFIGURATION IROS REAR SUSPENSION
SIDE EXIT TAILPIPE AHEAD OF REAR WHEELS, RT SIDE (RPO NPK)
OPTIONAL AIR DRYER FWD OUTSIDE RT (RPO KUT/JPY)

Minimum Wheelbase
235" WB (120" CA) 75" AF

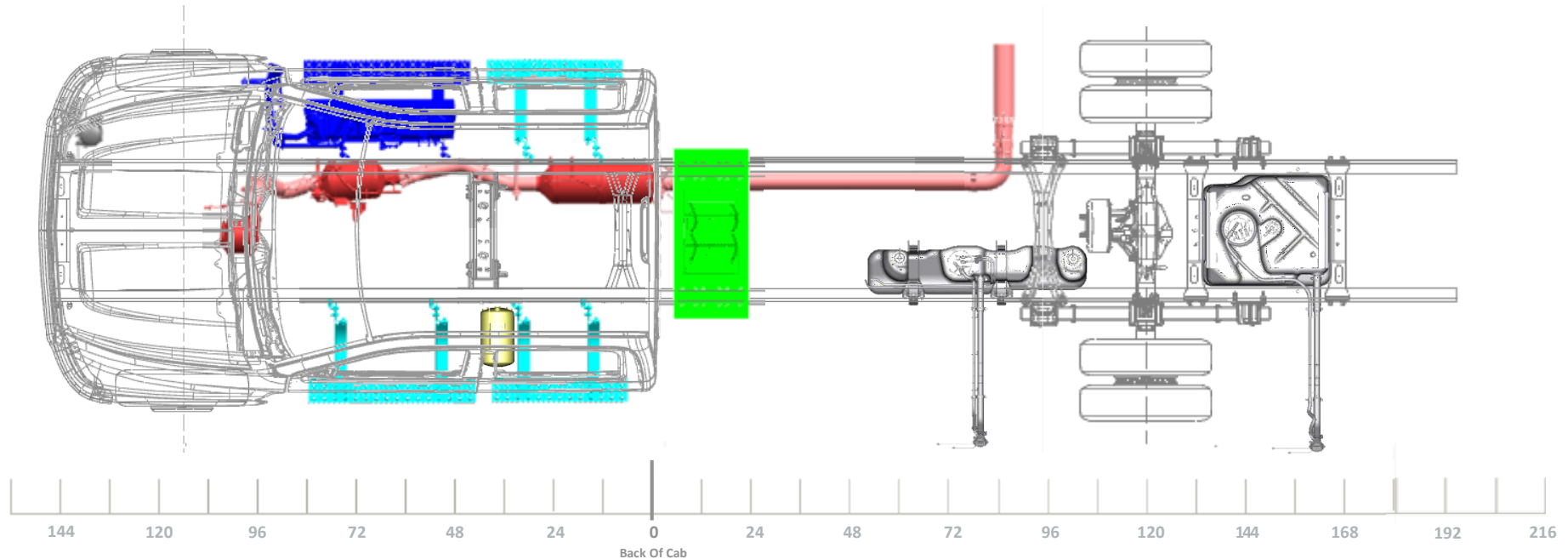


Silverado Medium Duty 4500HD/5500HD/6500HD

Model/Feature Information	
Model:	C56043 K56043
Cab:	CREW CAB
Aftertreatment:	HORIZONTAL
Fuel Tank:	RPO NSQ DUAL 25G CA, 40G AF
Battery Box:	RPO 7Y9 TEMP MTD, 3 BATT
Air Tanks:	(1) OUTSIDE LEFT
DEF Tank:	6.75 GAL
Engine:	6.6L GM DURAMAX

General Configuration Information
4X2 OR 4X4 TRUCK CONFIGURATION
SIDE EXIT TAILPIPE AHEAD OF REAR WHEELS, RT SIDE (RPO NPK)
OPTIONAL AIR DRYER FWD OUTSIDE RT (RPO KUT/JPY)

Minimum Wheelbase
235" WB (120" CA) 75" AF

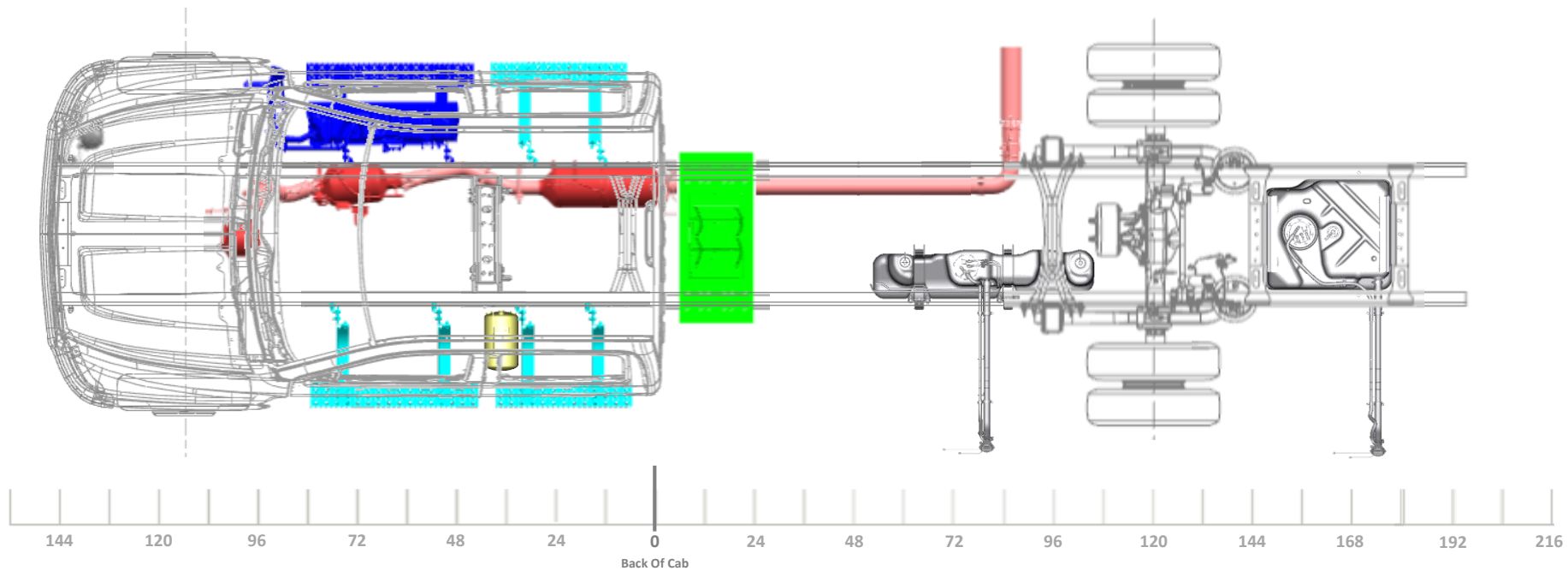


Silverado Medium Duty 4500HD/5500HD/6500HD

Model/Feature Information	
Model:	C56043 K56043
Cab:	CREW CAB
Aftertreatment:	HORIZONTAL
Fuel Tank:	RPO NSQ DUAL 25G CA, 40G AF
Battery Box:	RPO 7Y9 TEMP MTD, 3 BATT
Air Tanks:	(1) OUTSIDE LEFT
DEF Tank:	6.75 GAL
Engine:	6.6L GM DURAMAX

General Configuration Information
4X2 TRUCK CONFIGURATION IROS REAR SUSPENSION
SIDE EXIT TAILPIPE AHEAD OF REAR WHEELS, RT SIDE (RPO NPK)
OPTIONAL AIR DRYER FWD OUTSIDE RT (RPO KUT/JPY)

Minimum Wheelbase
235" WB (120" CA) 75" AF



END OF BBM