

FULL SIZE C/K LD PICKUPS

Model Symbol Chart.....	1
General Information.....	See Light Duty BBM “General Information” section
General Instructions.....	See Light Duty BBM “General Instruction” section
Camper Loading.....	See Online Order/Ref. Guide – “GM Consumer Info. Truck-Camper Loading”
Pickup Box Removal.....	See Light Duty BBM “Special Applications – Pickup Box Removal Program” section
Snow Plow Prep. Pkg.....	See Light Duty BBM “Special Applications – Snow Plow Prep Package” section
Trailer Information.....	See Light Duty Online Order/Ref. Guide – “Light Duty Trailering Specs”
Model and Option Weights.....	See Light Duty Online Order/Ref. Guide – “Model and Opt. Weights” & “Weight Calculator”

Important please note;

In an effort to enhance market comparison specifications, GM Upfitter has integrated corresponding `BLUE BOOK' alpha-numeric codes into many of the dimensional metrics provided in this guide.

VEHICLE

GENERAL ARRANGEMENT

Regular Cab.....	2
Double Cab.....	3
Crew Cab.....	4
Body/Cargo Weight Distribution – 6' 6".....	5
Body/Cargo Weight Distribution – 5' 8".....	6
Body/Cargo Weight Distribution – 8'.....	7

BODY – EXTERIOR

GENERAL ARRANGEMENT

Regular Cab, 6' 6" Box – C/K 18, 10703.....	8
Regular Cab, 8' Box – C/K 18, 10903.....	9
Extended Cab, 6' 6" Box – C/K 18, 10753.....	10
Crew Cab, 6' 6" Box – C/K 18, 10743.....	11
Crew Cab, 5' 8" Box – C/K 18, 10543.....	12

FRONT END CLIPS

C/K 180 (03/53/43).....	13
C/K 100 (03/53/43).....	13.2

FULL SIZE C/K LD PICKUPS

BODY – EXTERIOR – *Continued*

HOOD OPENINGS

C/K 180 (03/53/43)	14
C/K 100 (03/53/43)	14.2

SIGN AREA

Regular Cab – C/K 100/180/200/300 (03)	15
Extended Cab – C/K 100/180/200/300 (53)	16
Crew Cab – C/K 100/180/200/300 (43)	17

CAB STEP IN HEIGHTS

Regular Cab (03)	18
Extended Cab (53)	19
Crew Cab (43)	20

MIRRORS, OUTSIDE REARVIEW

C/K 180, Option DLF and C/K 2000, Option DEZ	21
C/K 100, Option DLF and C/K 2000, Option DEZ	21.2

CAB CLEARANCE LAMPS, CHMSL AND REAR CAB WINDOW

Fixed and Sliding	22
-------------------------	----

CAB PRESSURE VALVE ASSEMBLY

Rear Quarter Body Panel	23
-------------------------------	----

PICKUP BOX

Length and Width Dimension for 5' 8", 6' 6" and 8'	24
--	----

FULL SIZE C/K LD PICKUPS

CAB – INTERIOR

SEATING ARRANGEMENT

Seating Positions and H Points 1st Row Front View, Pickups – C/K 100/180/200/300 (03/53/43)	25
Seating Positions and H Points 2nd Row Front View, Pickups – C/K 100/180/200/300 (03/53/43)	26
Seating Positions and H Points Side View, Pickups – C/K 100/180/200/300 (03/53/43)	27

SEAT MOUNTING HOLES LOCATIONS – FLOOR

C/K 100/180/200/300 (03/53/43)	28
--------------------------------------	----

CHASSIS

DATUM HOLE LOCATION – FRAME

C/K 100/180 (00)	30
------------------------	----

FRAME RAIL AND CROSSMEMBER LOCATION

C/K 18, 10703	31
C/K 18, 10903	32
C/K 18, 10753	33
C/K 18, 10743	34
C/K 18, 10543	35

SPARE TIRE LOCATION

C/K 100, 180 Series Pickups	36
-----------------------------------	----

PLATFORM HITCH/GCWR

Pickups C/K 100, 180 (03/53/43)	37
---------------------------------------	----

FRONT AXLE/TIRE DATA

Front Axle Tire Data Chart– C/K 100, 180 Pickups	38
Front Axle Tire Data Drawing– C/K 100, 180 Pickups	39

REAR AXLE/TIRE DATA

Rear Axle Tire Data Chart– C/K 100, 180 Pickups	40
Rear Axle Tire Data Drawing C/K 100, 180 Pickups	41

FULL SIZE C/K LD PICKUPS

CHASSIS – Continued

FUEL SYSTEMS

C/K 18, 10703	42
C/K 18, 10903 Pickup	43
C/K 18, 10743, 18, 10753 and C/K 18, 10543 Pickups.....	44

EXHAUST SYSTEMS

C/K 100, 180 (00) w/LV3 (4.3L V6).....	45
C/K 100, 180 (00) w/L83 (5.3L V6)	46
C/K 100, 180 (00) L86 (6.2L V8).....	47

DIESEL FUEL SYSTEMS/DEF SYSTEMS

C/K 18, 10743 Pickup.....	48
C/K 18, 10543 Pickup.....	49
C/K 18, 10753 Pickup.....	50

FULL SIZE C/K LD PICKUPS

Model Symbol Chart

MODEL	REGULAR CABS (03) 2 DOOR CHEVROLET / GMC			DOUBLE CABS (53) 4 DOOR CHEVROLET / GMC			CREW CABS (43) 4 DOOR CHEVROLET / GMC		GVWR (kg/lbs)	WHEELBASE (mm/in)	CAB-TO-AXLE (mm/in)
C185, C105							+ E63 5' 8" Box		3084/6800 3130/6900 3175/7000 3221/7100	3745/147.4	829/32.63
C187, C107	+ E63 6' 6" Box								3084/6800	3213/126.4	1071/42.16
				+ E63 6' 9" Box					3084/6800 3130/6900 3221/7100	3745/147.4	1071/42.16
							+ E63 6' 9" Box		3084/6800 3130/6900 3175/7000 3221/7100	3987/156.9	1071/42.16
C189, C109 & ZW9	+ E63 8' Box Chassis	ZW9							3084/6800	3545/139.5	1403/55.23
K185, K105							+ E63 5' 8" Box		3130/6900 3175/7000 3220/7100 3266/7200 3311/7300	3745/147.4	827/32.63
K187, K107	+ E63 6' 9" Box								3084/6800	3213/126.4	1071/42.16
				+ E63 6' 9" Box					3130/6900 3175/7000 3220/7100 3311/7300	3745/147.4	1071/42.16
							+ E63 6' 9" Box		3130/6900 3175/7000 3220/7100 3266/7200 3311/7300	3987/156.9	1071/42.16
K189, K109 & ZW9	+ E63 8' Box Chassis							3130/6900	3545/139.5	1403/55.23	

E63 - Fleetside / Wideside Box (5' 8", 6' 9" and 8' Boxes)

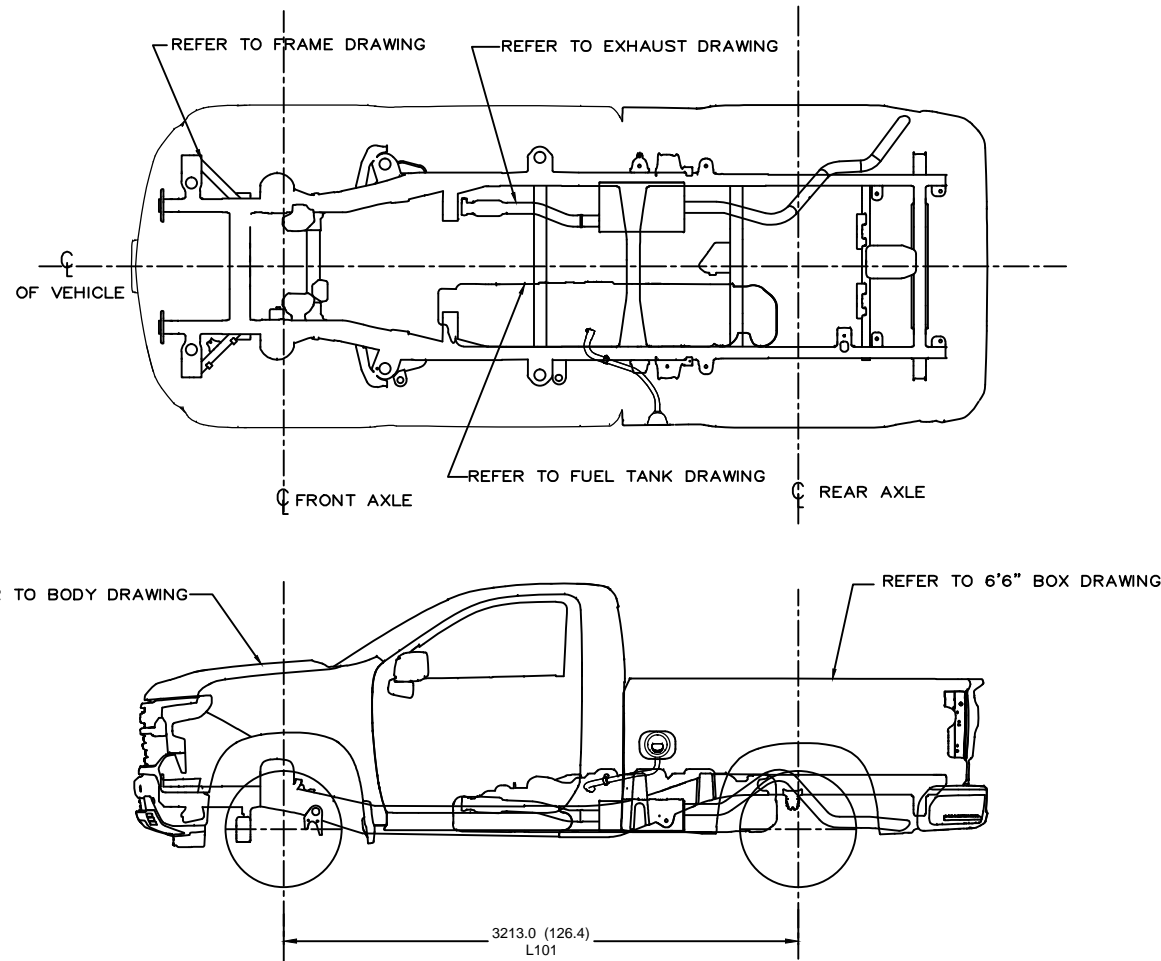
ZW9 - Chassis Cab & Pickup w/Factory Box Delete ("Box Removal" APPROVED see "Special Applications") EXAMPLE: C10903= 2 DOOR REGULAR CAB / FLEETSIDE/WIDESIDE / 8' BOX

CK18 - Series LD carry-over models

CK10 - Series LD Mid-Year (MCM) Ext/Int enhancement

FULL SIZE C/K LD PICKUPS

Regular Cab – General Arrangement



GENERAL ARRANGEMENT C/K 10703,6'6" BOX, CHEVY

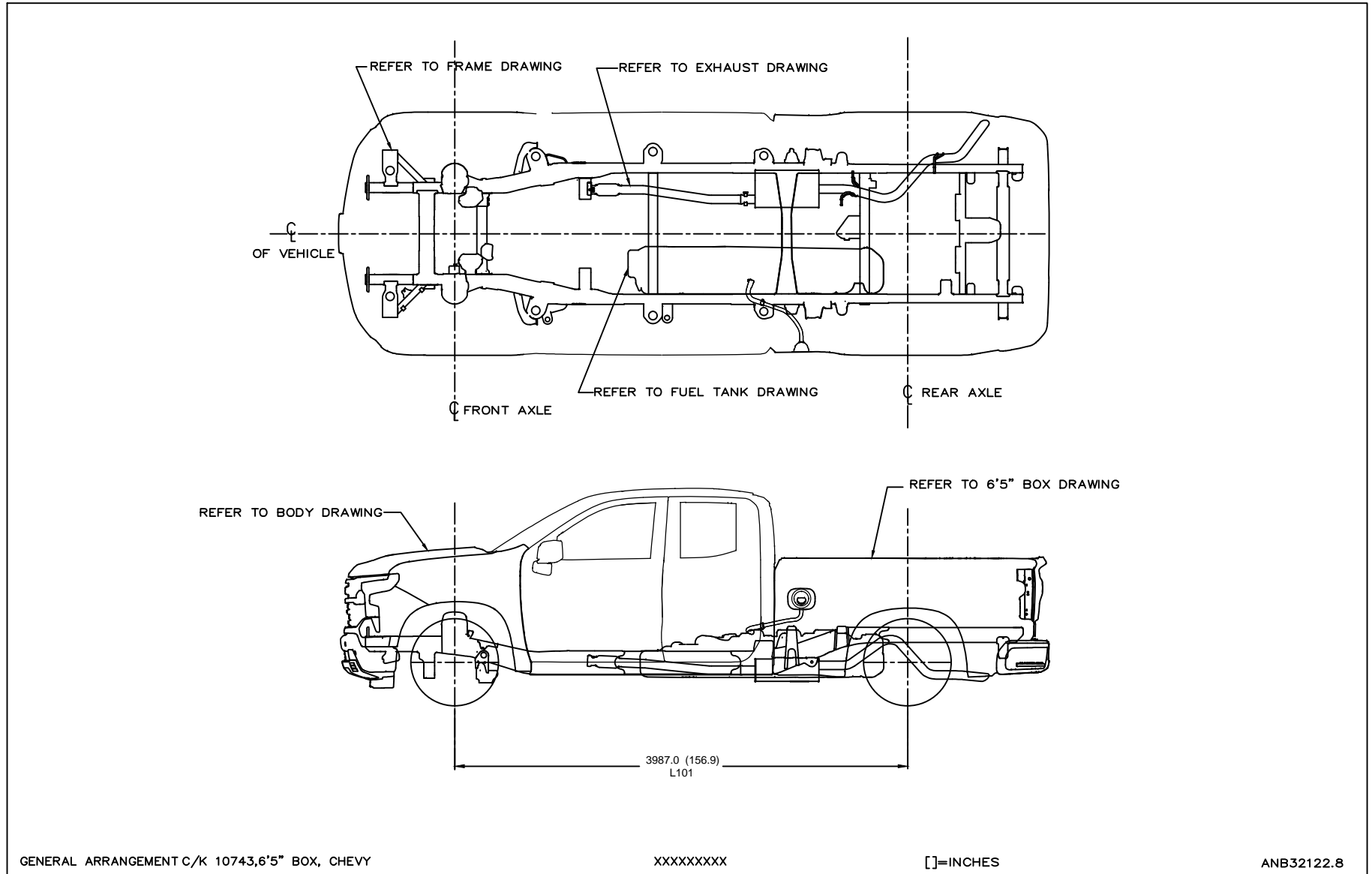
XXXXXXXXXX

[]=INCHES

ANB32122.6

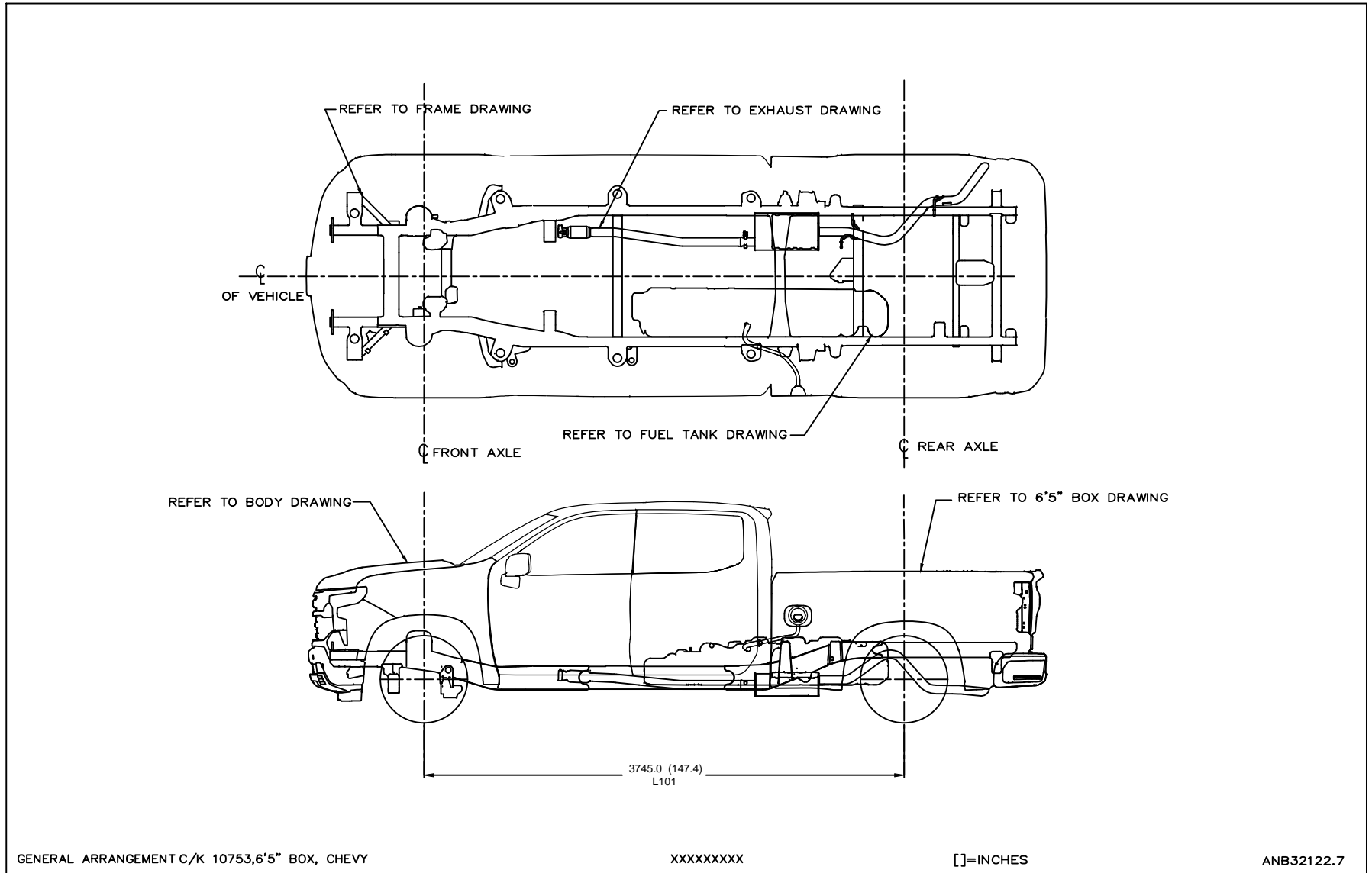
FULL SIZE C/K LD PICKUPS

Double Cab – General Arrangement



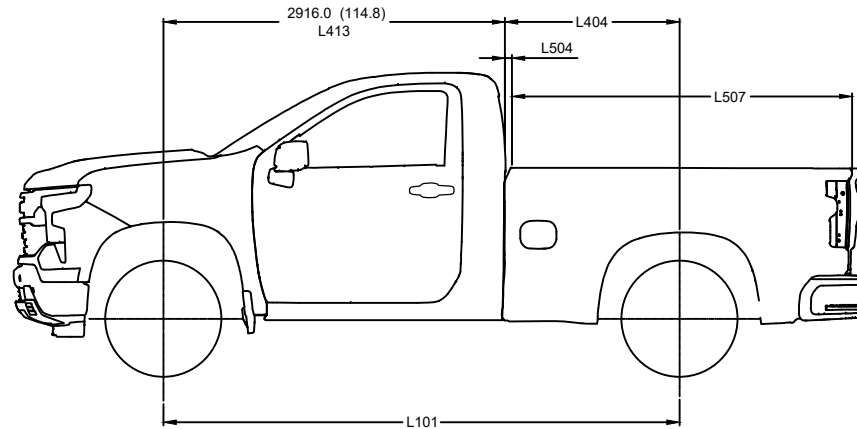
FULL SIZE C/K LD PICKUPS

Crew Cab – General Arrangement



FULL SIZE C/K LD PICKUPS

Body/Cargo Weight Distribution – Pickups – 6' 6"



MODEL	L101 (WB)	L404 (CA)	L504	L507	BODY / CARGO WEIGHT DISTRIBUTION	
					% FRONT AXLE	% REAR AXLE
CK18, 10703	3213 (126.4)	1071 (42.1)	25 (1.0)	2239 (88.1)	1	99
CK18, 10753	3745 (147.4)	1071 (42.1)	25 (1.0)	2239 (88.1)	1	99

NOTE:-DIMENSIONS SHOWN ARE NOMINAL.
 L404 = CAB TO REAR AXLE DIMENSION
 L504 = BODY CLEARANCE BETWEEN BODY AND CAB
 L507 = BOX LENGTH
 L101 = WHEEL BASE

$$\frac{\text{CENTER OF GRAVITY OF PAYLOAD TO REAR AXLE.}}{\text{WHEEL BASE}} \times 100 \% \text{ BODY PAYLOAD AT FRONT AXLE}$$

$$\frac{L404 - L504 - (L507/2)}{L101 (WB)} \times 100 \% \text{ BODY PAYLOAD AT FRONT AXLE}$$

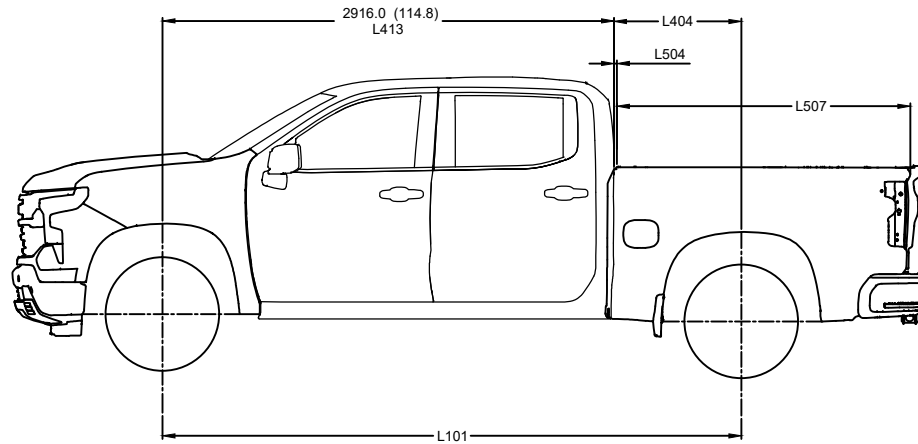
BODY/CARGO WEIGHT DISTRIBUTION CK10703 53,6' 5" BOX

[]=INCHES

ANC07766.3

FULL SIZE C/K LD PICKUPS

Body/Cargo Weight Distribution – Pickups – 5' 8"



MODEL	L101 (WB)	L404 (CA)	L504	L507	BODY / CARGO WEIGHT DISTRIBUTION	
					% FRONT AXLE	% REAR AXLE
CK18, 10543	3745 (147.4)	829 (32.6)	25 (1.0)	1997 (78.6)	-4	104

NOTE:-DIMENSIONS SHOWN ARE NOMINAL.
 L404 = CAB TO REAR AXLE DIMENSION
 L504 = BODY CLEARANCE BETWEEN BODY AND CAB
 L507 = BODY (BOX) LENGTH
 L101 = WHEEL BASE

$$\frac{\text{CENTER OF GRAVITY OF PAYLOAD TO REAR AXLE.}}{\text{WHEEL BASE}} \times 100 \% \text{ BODY PAYLOAD AT FRONT AXLE}$$

$$\frac{L404 - L504 - (L507/2)}{L101 (WB)} \times 100 \% \text{ BODY PAYLOAD AT FRONT AXLE}$$

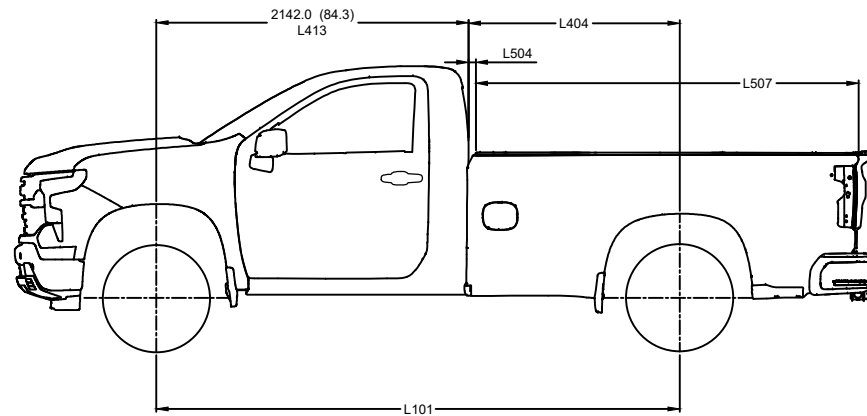
BODY/CARGO WEIGHT DISTRIBUTION CK10543,5'8" BOX

[]=INCHES

ANC07766.3

FULL SIZE C/K LD PICKUPS

Body/Cargo Weight Distribution – Pickups – 8'



MODEL	L101 (WB)	L404 (CA)	L504	L507	BODY / CARGO WEIGHT DISTRIBUTION	
					% FRONT AXLE	% REAR AXLE
CK18, 10903	3545 (139.5)	1403 (55.2)	25 (1.0)	2715 (106.8)	3	97

NOTE:-DIMENSIONS SHOWN ARE NOMINAL.
 L404 = CAB TO REAR AXLE DIMENSION
 L504 = BODY CLEARANCE BETWEEN BODY AND CAB
 L507 = BOX LENGTH
 L101 = WHEEL BASE

$$\frac{\text{CENTER OF GRAVITY OF PAYLOAD TO REAR AXLE}}{\text{WHEEL BASE}} \times 100 \% \text{ BODY PAYLOAD AT FRONT AXLE}$$

$$\frac{L404 - L504 - (L507/2)}{L101 (WB)} \times 100 \% \text{ BODY PAYLOAD AT FRONT AXLE}$$

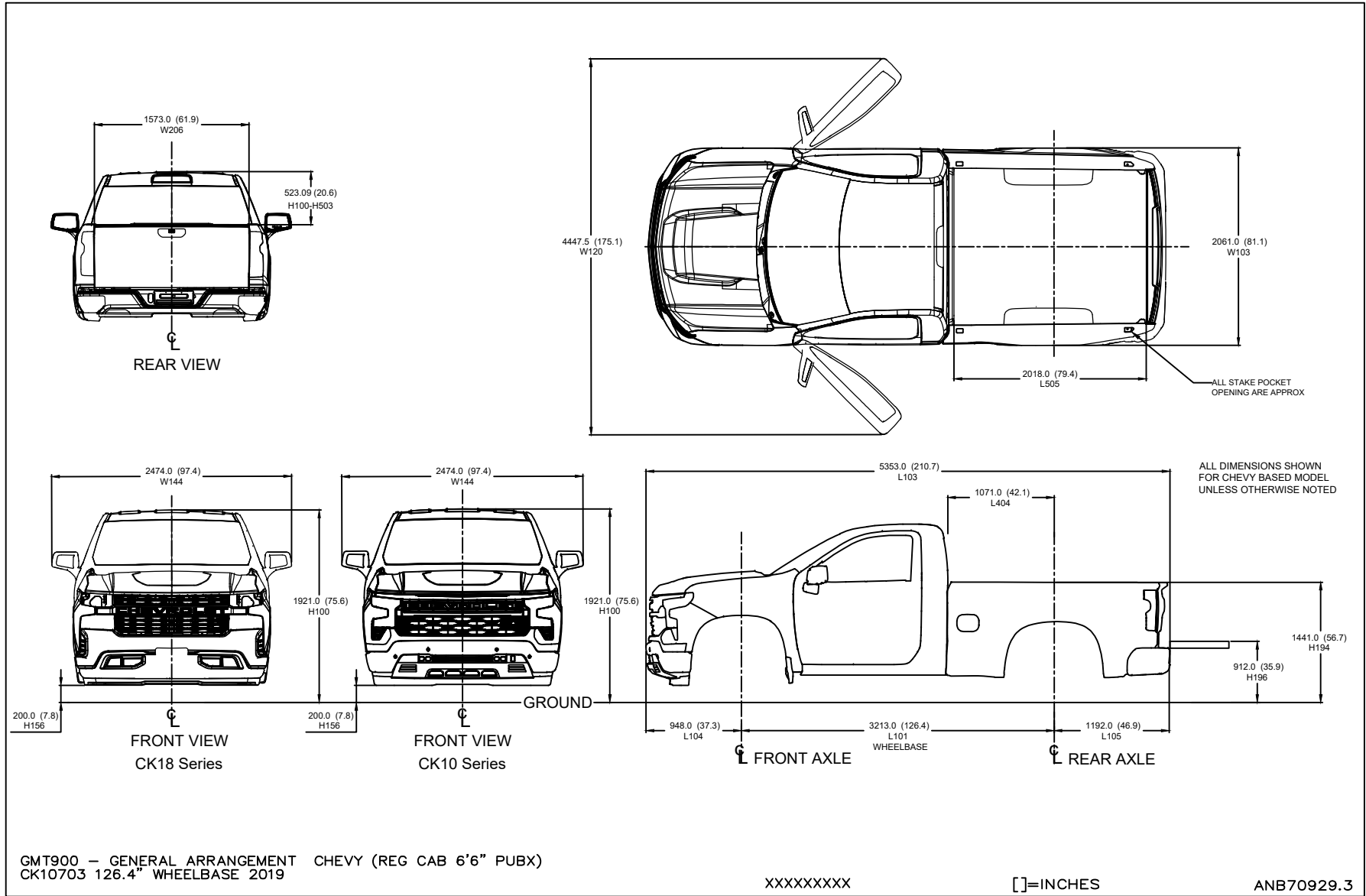
BODY/CARGO WEIGHT DISTRIBUTION CK10903, 8'BOX

[]=INCHES

ANCO7766.3

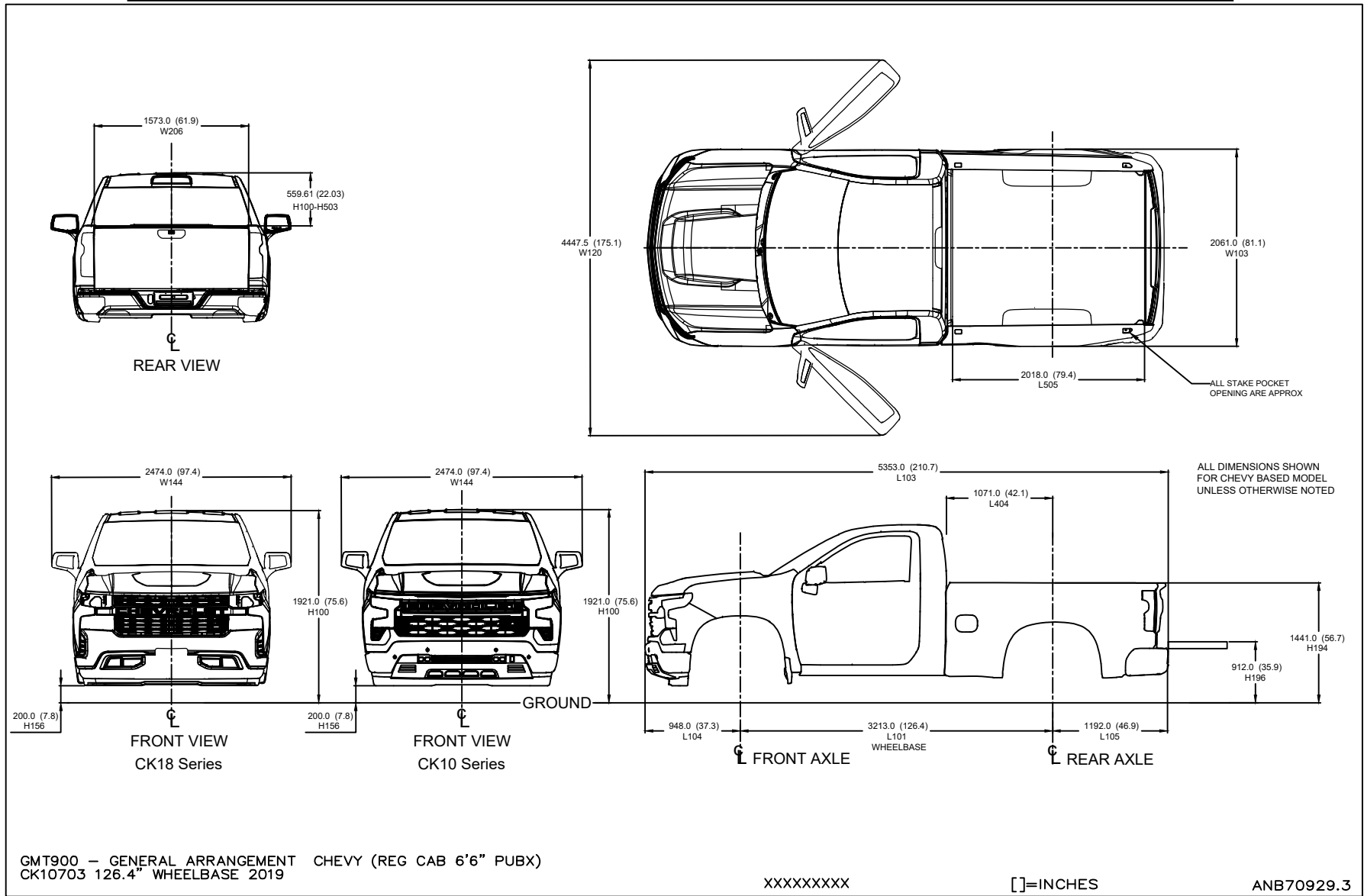
FULL SIZE C/K LD PICKUPS

C/K 18, 10703, Regular Cab 6' 6" Box – Body General Arrangement



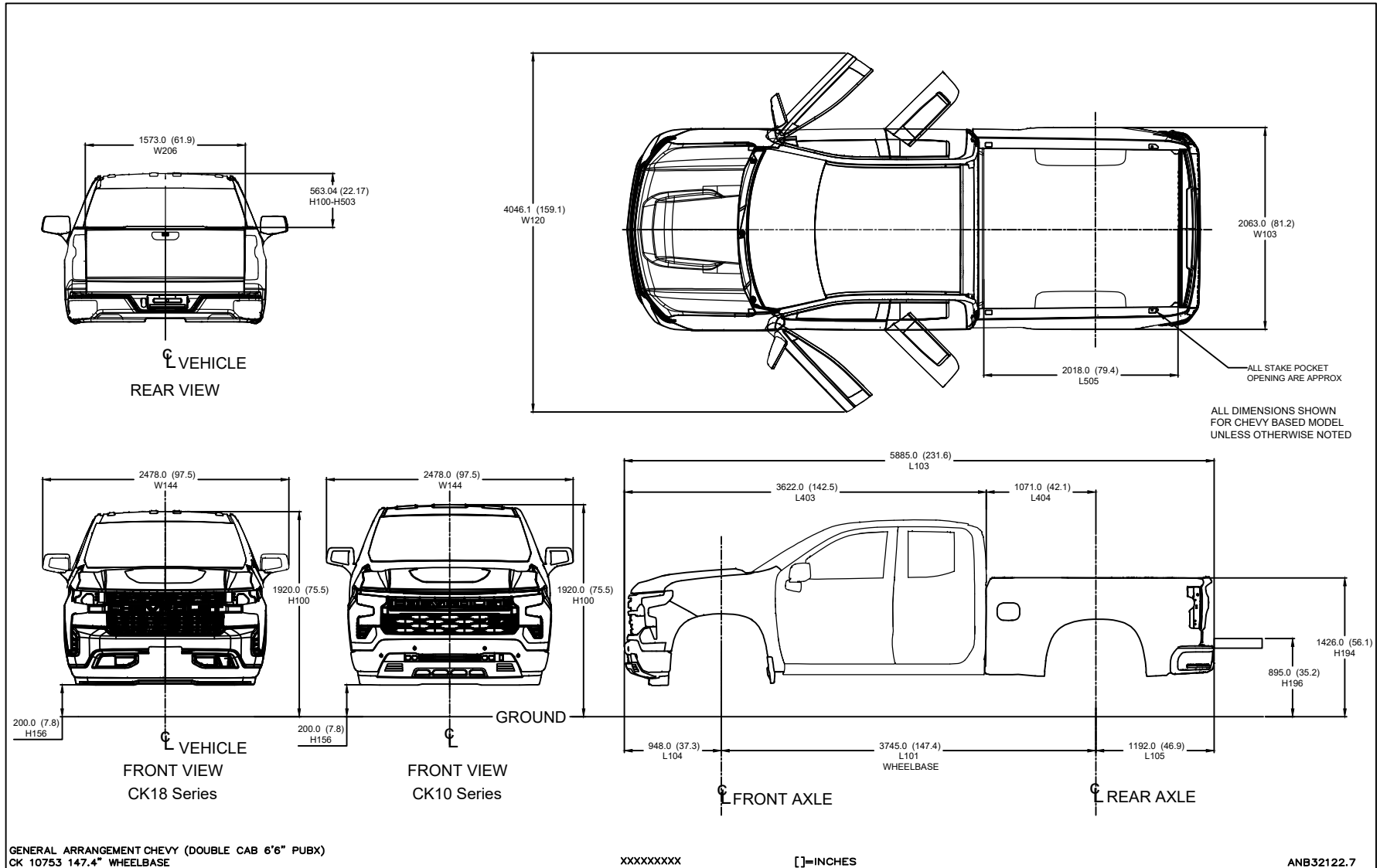
FULL SIZE C/K LD PICKUPS

C/K 18, 10903, Regular Cab 8' Box – Body General Arrangement



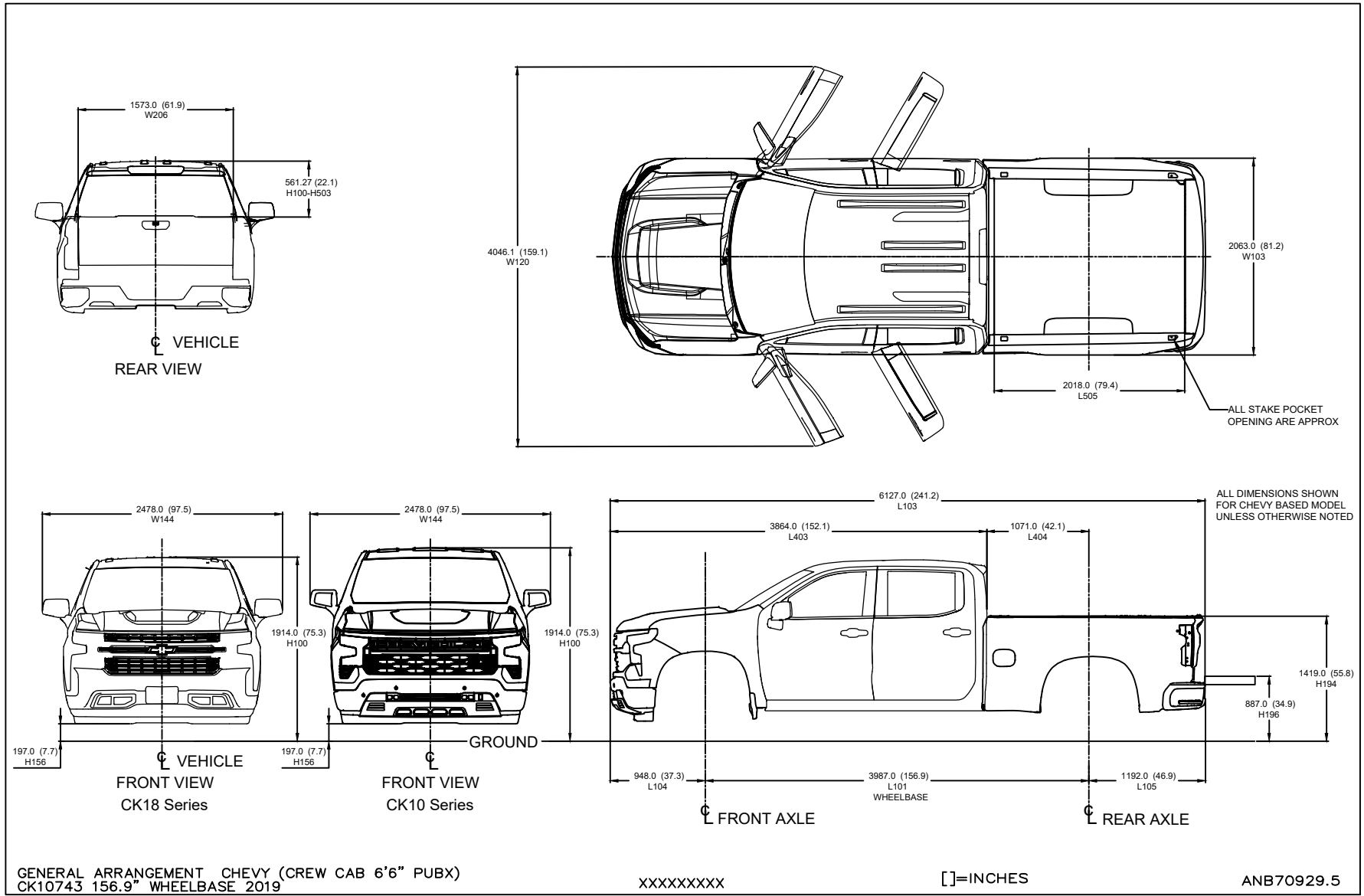
FULL SIZE C/K LD PICKUPS

C/K 18, 10753, Extended Cab 6' 6" Box – Body General Arrangement



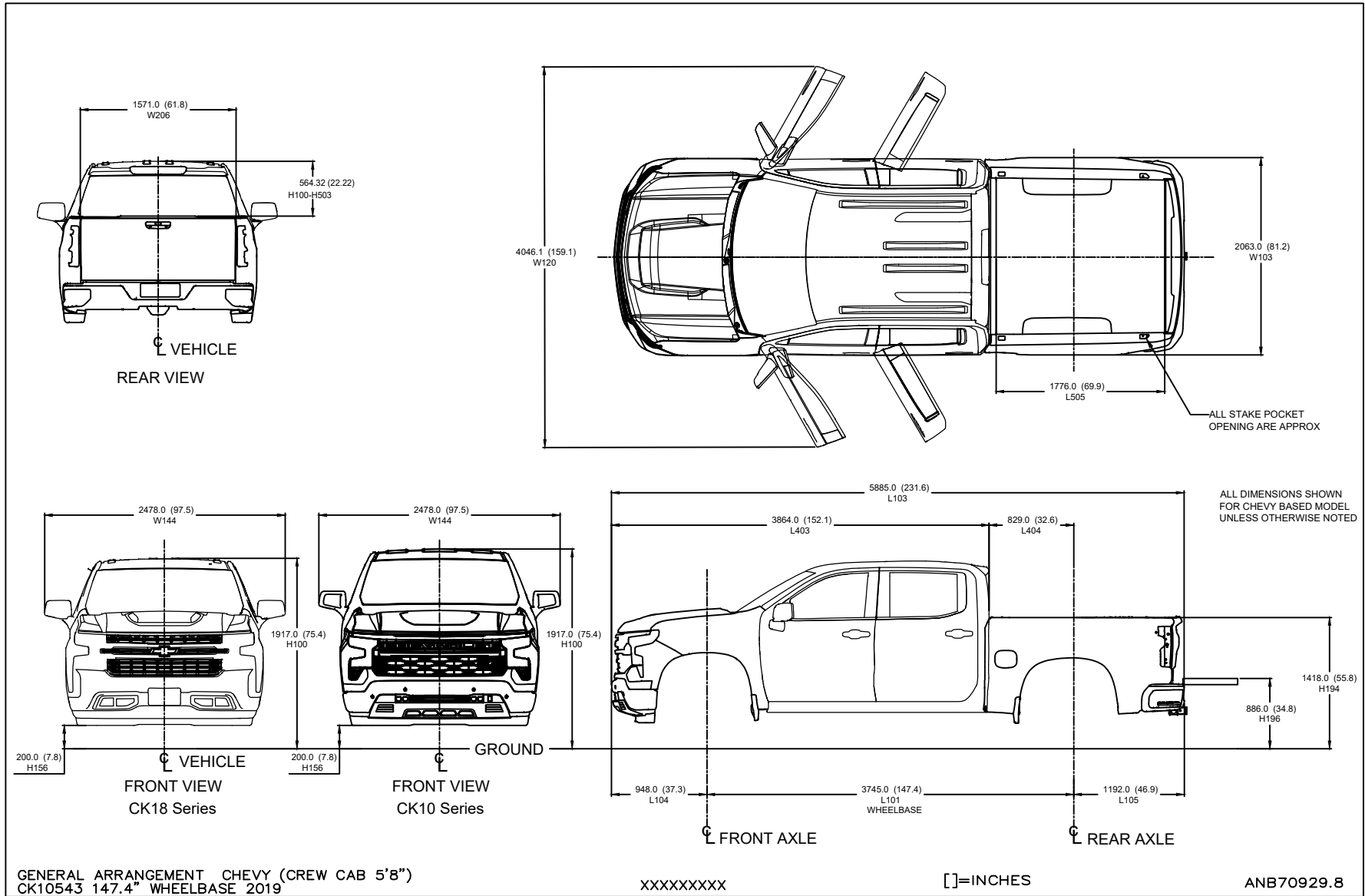
FULL SIZE C/K LD PICKUPS

C/K 18, 10743, Crew Cab 6'6" Box – Body General Arrangement



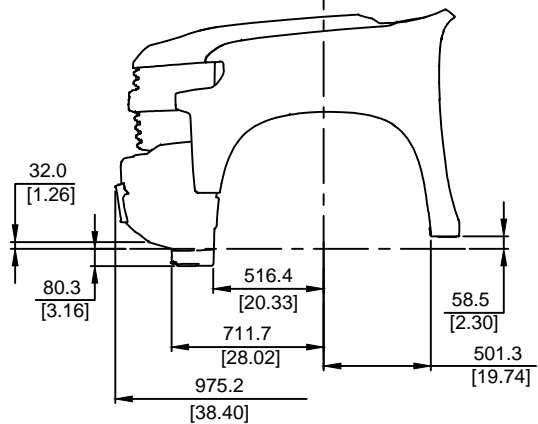
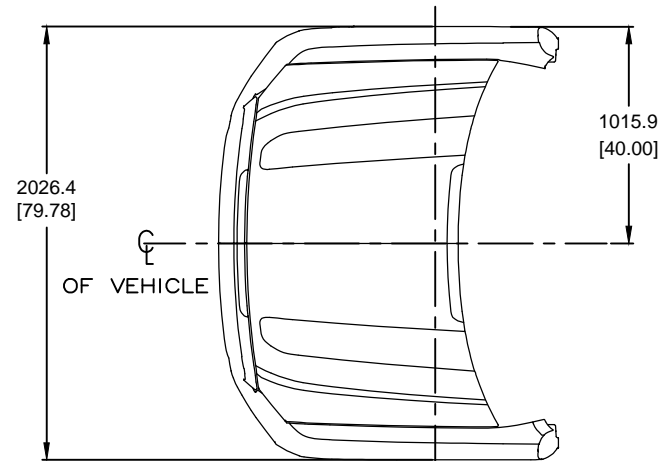
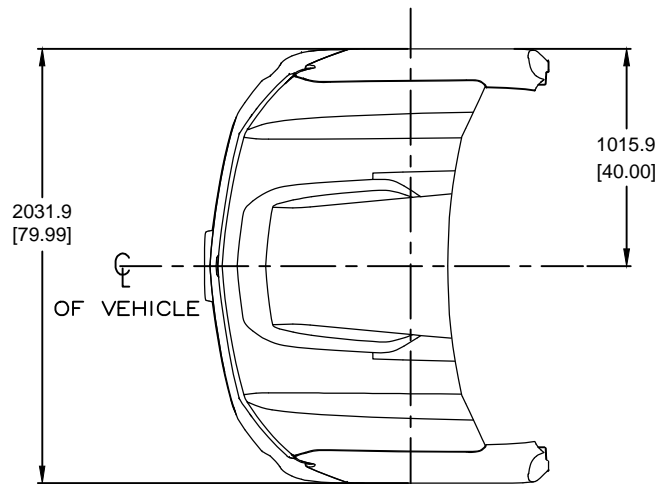
FULL SIZE C/K LD PICKUPS

C/K 18, 10543, Crew Cab 5' 8" Box – Body General Arrangement

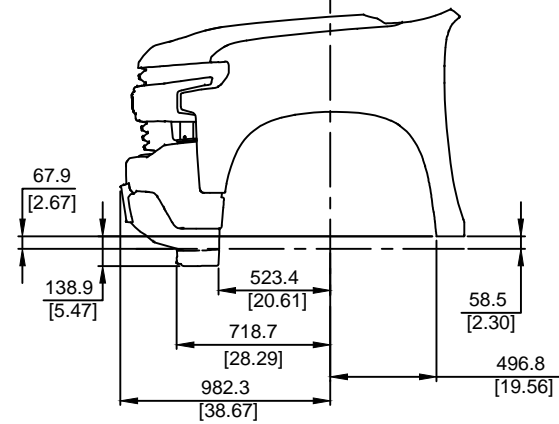


FULL SIZE C/K LD PICKUPS

C/K 180 (03/53/43) – Front End Clips



XXX: CHEVROLET C/K 180 03/43/53



XXX: GMC C/K 180 03/43/53

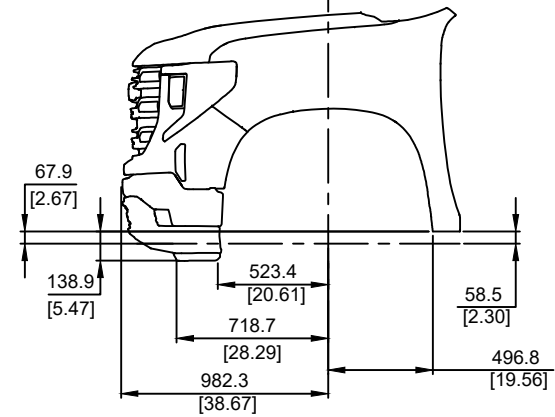
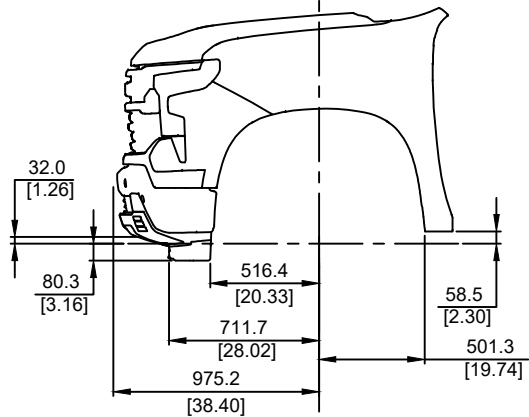
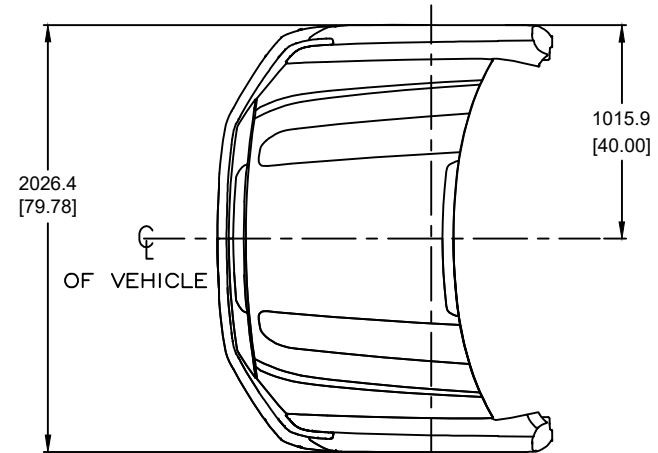
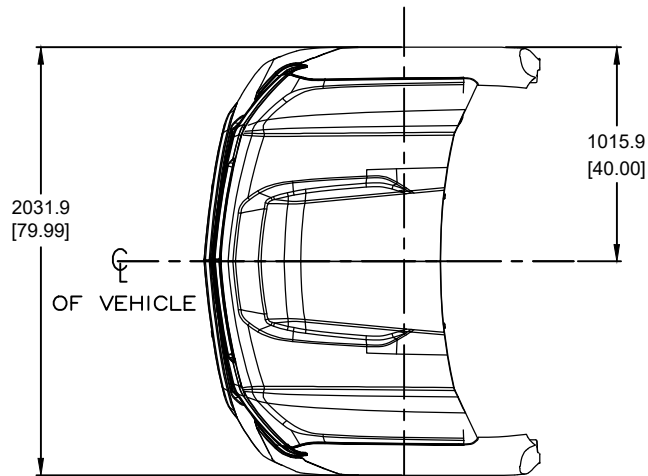
XXXXXXXXXX

[]=INCHES

ANB43157.4

FULL SIZE C/K LD PICKUPS

C/K 100 (03/53/43) – Front End Clips



XXX: CHEVROLET C/K 100 03/43/53

XXX: GMC C/K 100 03/43/53

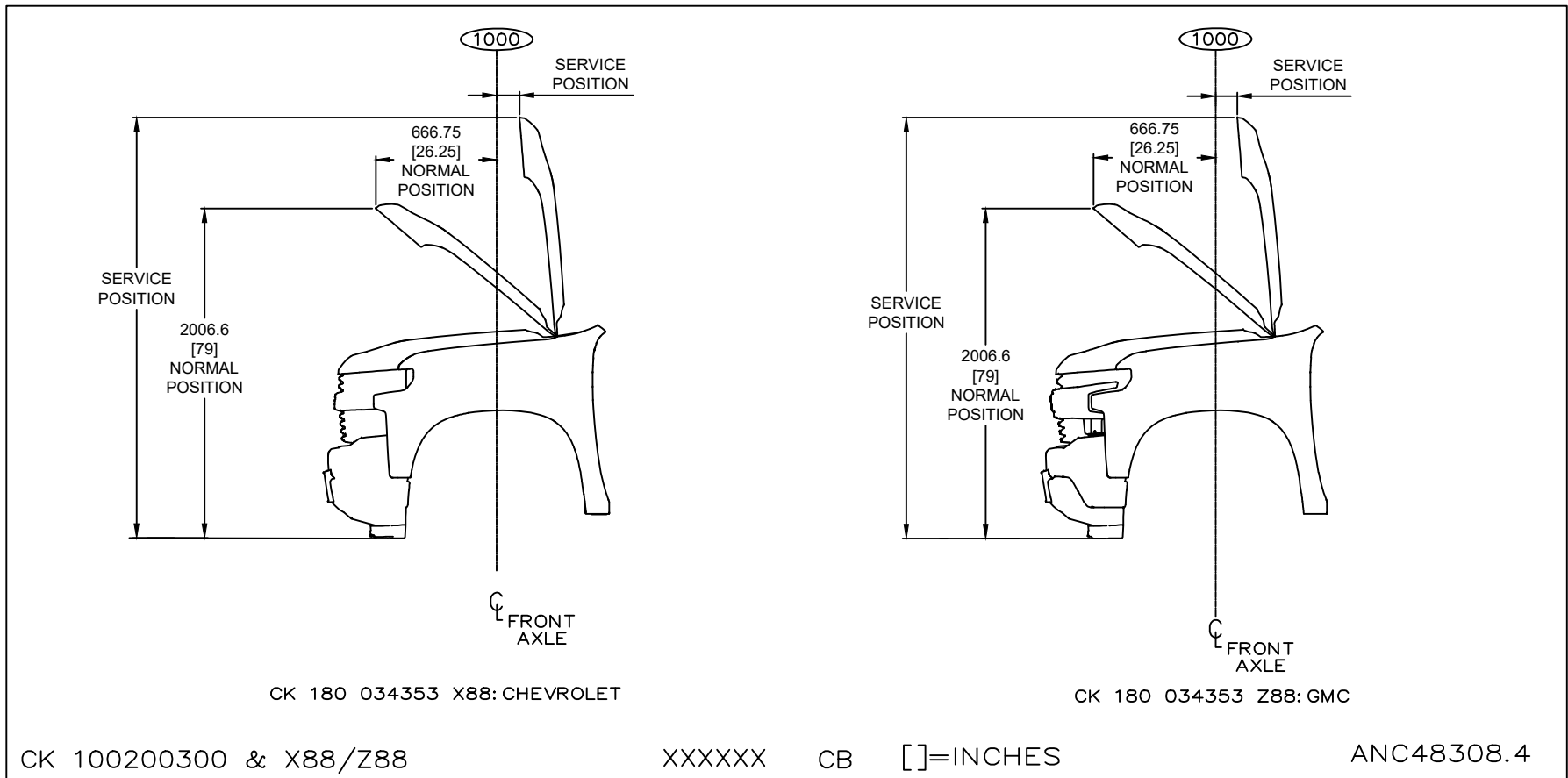
XXXXXXXXXX

[]=INCHES

ANB43157.4

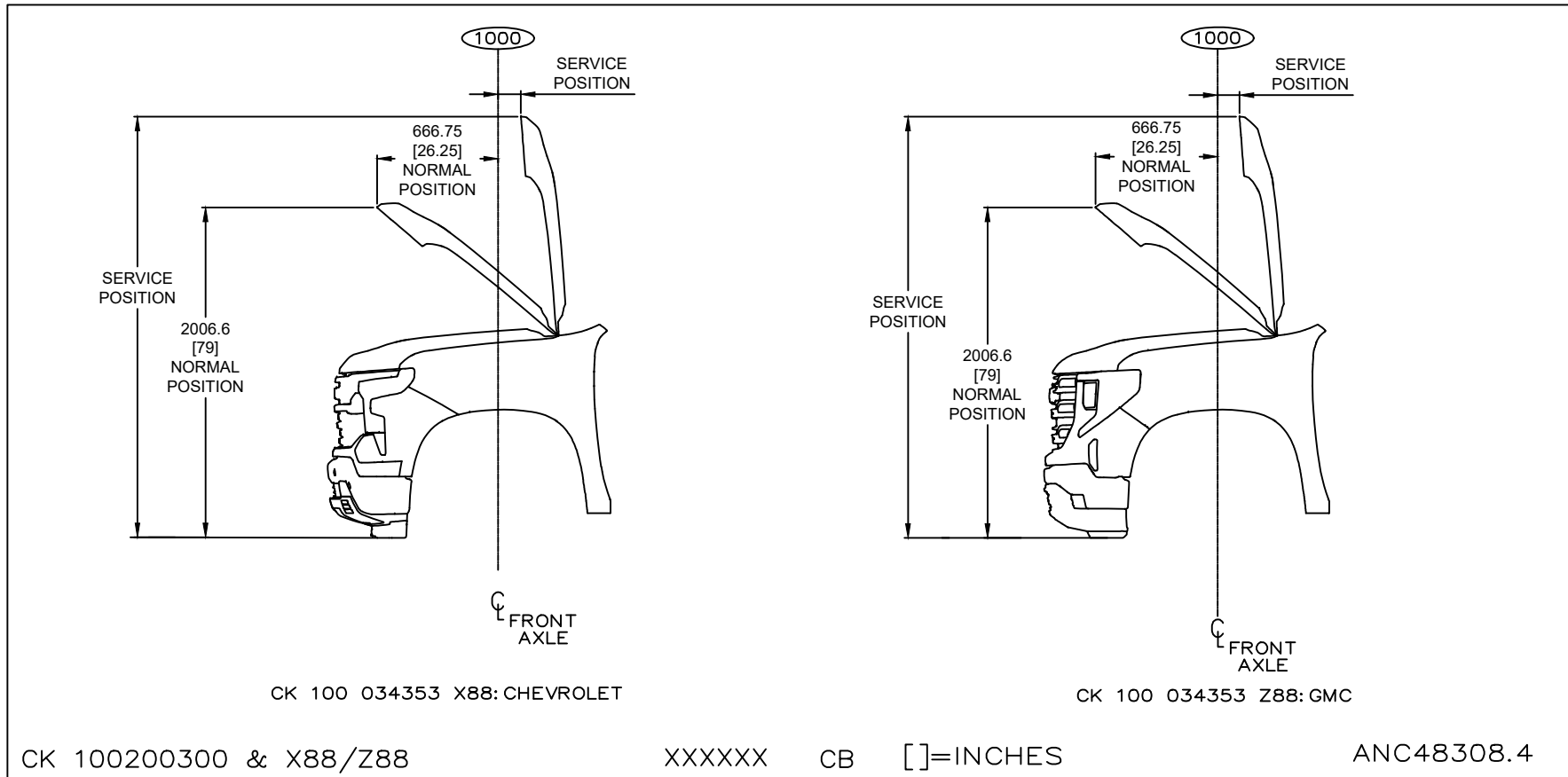
FULL SIZE C/K LD PICKUPS

C/K 180 (03/53/43) – Hood Openings



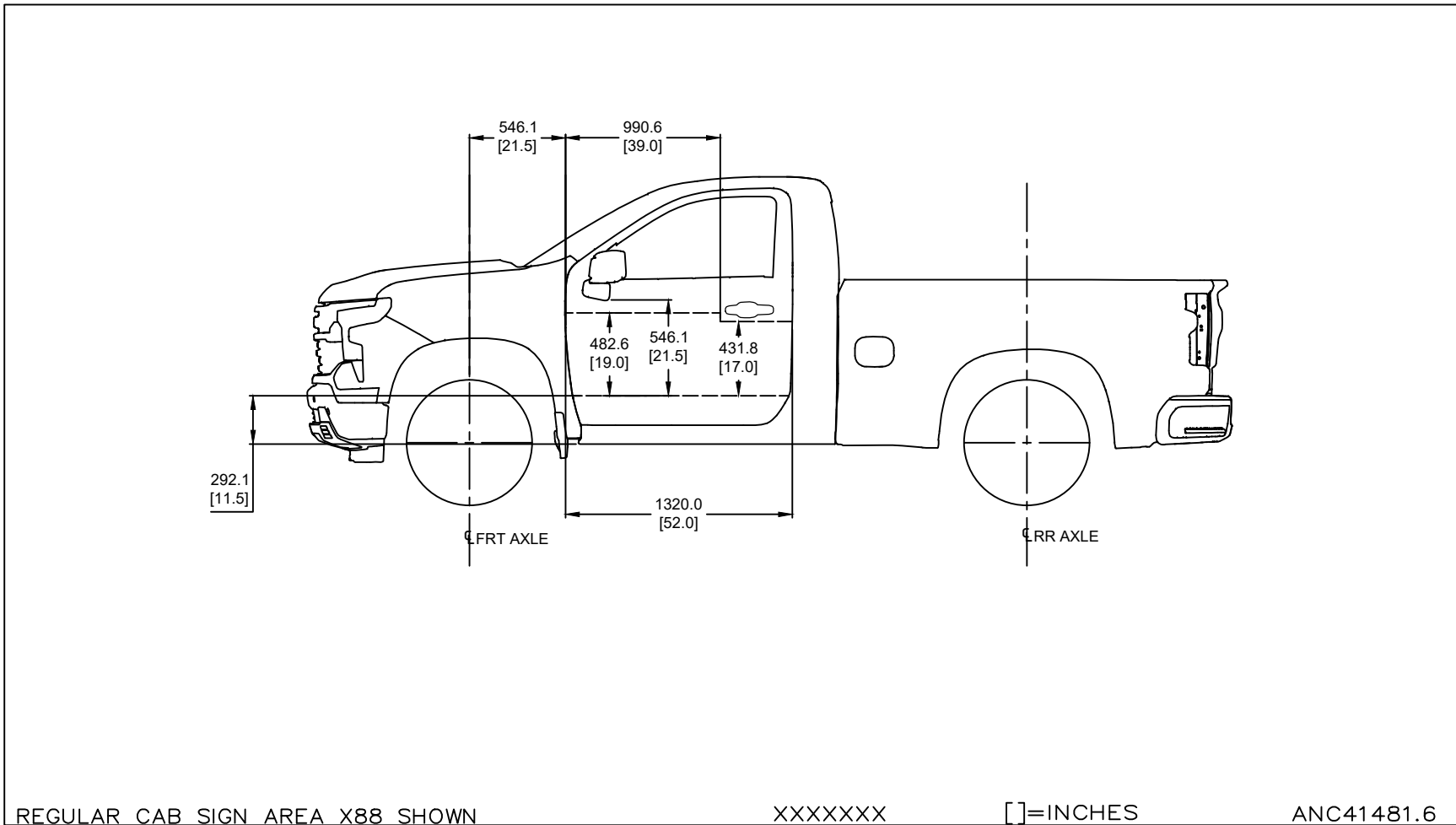
FULL SIZE C/K LD PICKUPS

C/K 100 (03/53/43) – Hood Openings



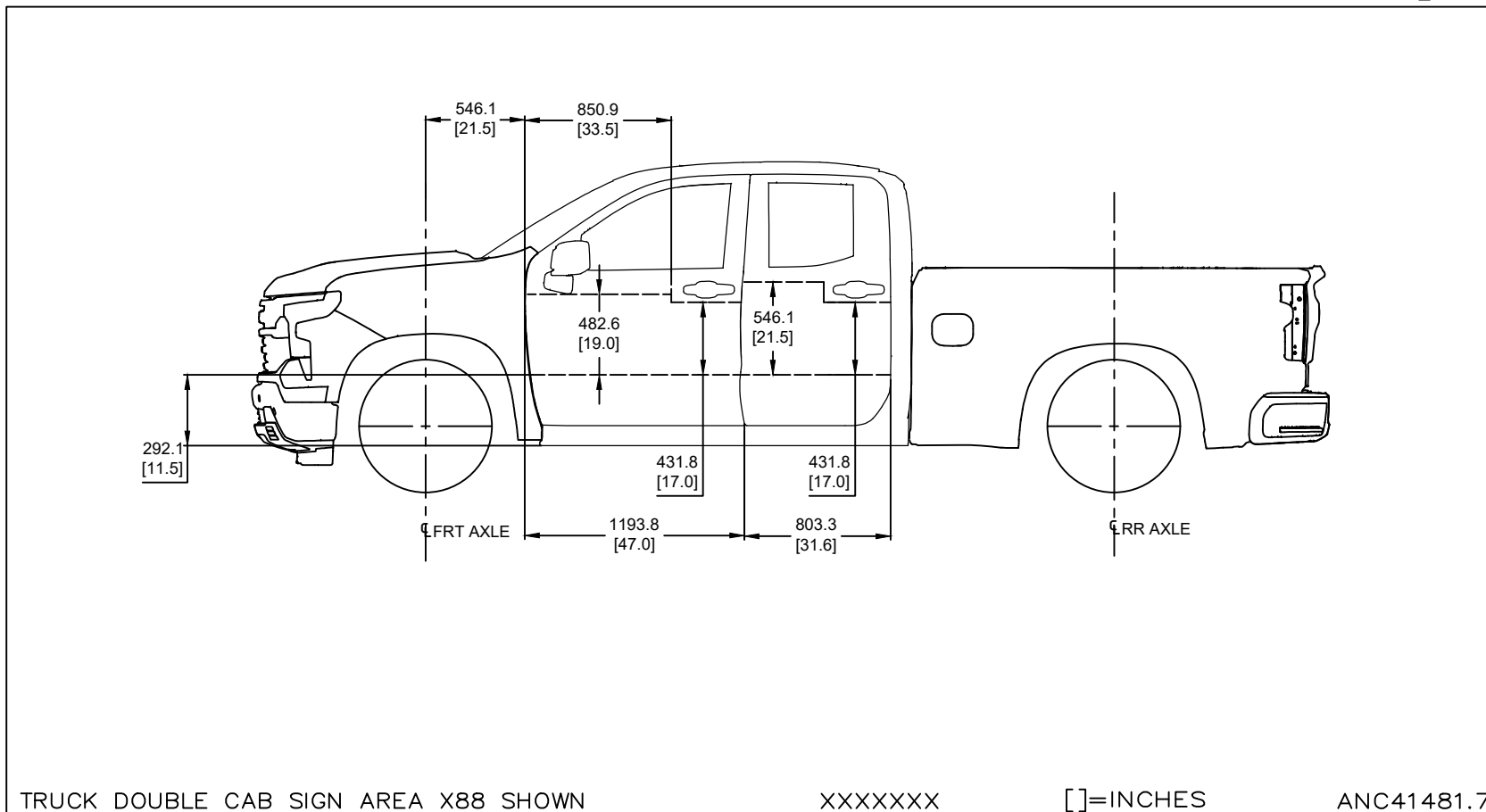
FULL SIZE C/K LD PICKUPS

Regular Cab Pickup – C/K 100/180/200/300 (03) – Sign Area



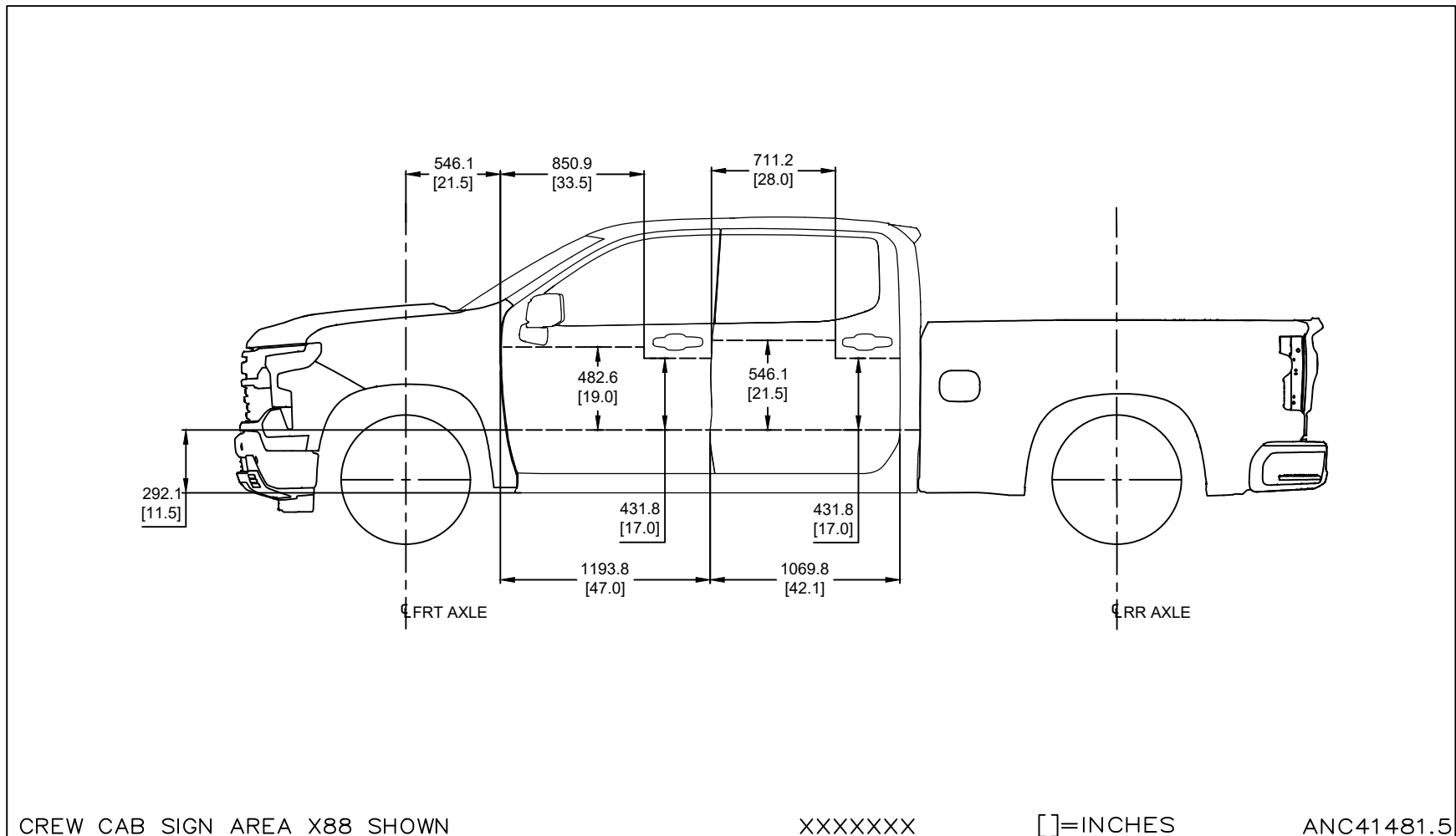
FULL SIZE C/K LD PICKUPS

Extended Cab Pickup – C/K 100/180/200/300 (53) – Sign Area



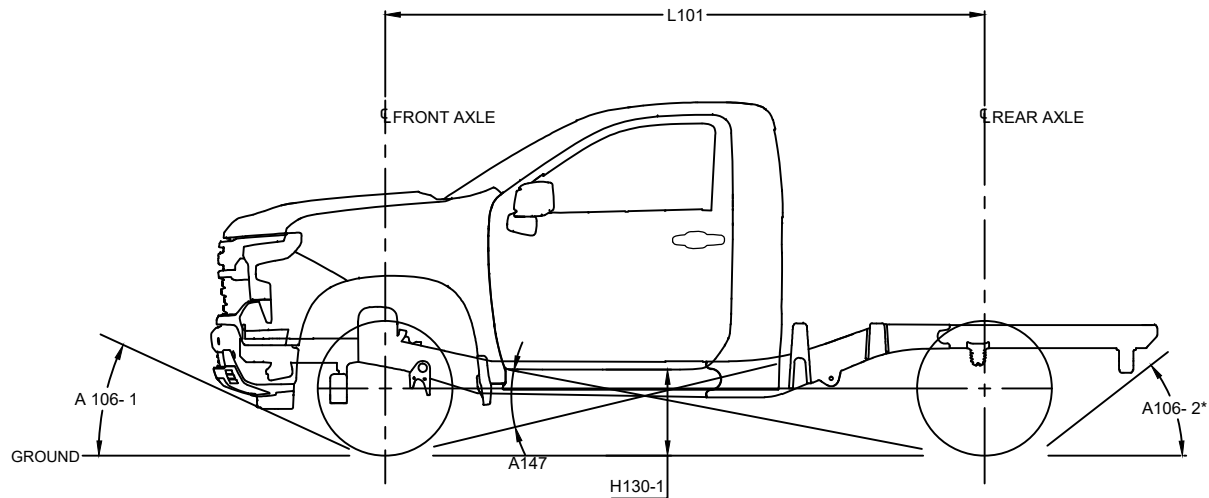
FULL SIZE C/K LD PICKUPS

Crew Cab Pickup – C/K 100/180/200/300 (43) – Sign Area



FULL SIZE C/K LD PICKUPS

Regular Cab (03) – Cab Step in Heights



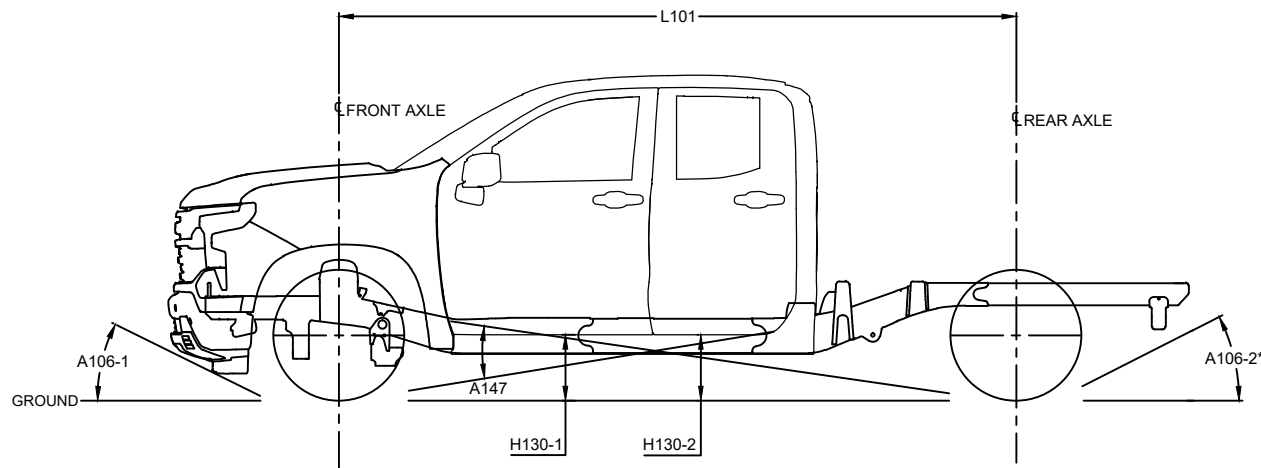
MODEL	L101 (WB)	H130 -1	A106-1	A147	A106-2
CK18, 10703	3213 (126.4)	575 (22.6)	18.1	22.5	24.9
CK18, 10903	3545 (139.5)	573 (22.5)	18.4	20.7	21.9

*Completed Vehicle

STEP IN HEIGHT FOR CK100200300 03 BASE VEHICLE @ CURB XXXXXXXX [=INCHES ANC10189.3

FULL SIZE C/K LD PICKUPS

Extended Cab (53) – Cab Step in Heights



MODEL	L101(WB)	H130-1	H130-2	A106-1	A147	A106-2
CK18, 10753	3745 (147.4)	568 (22.3)	575 (22.6)	18.4	19.3	24.1

*Completed Vehicle

STEP IN HEIGHT FOR CK100200300 53

BASE VEHICLE @ CURB

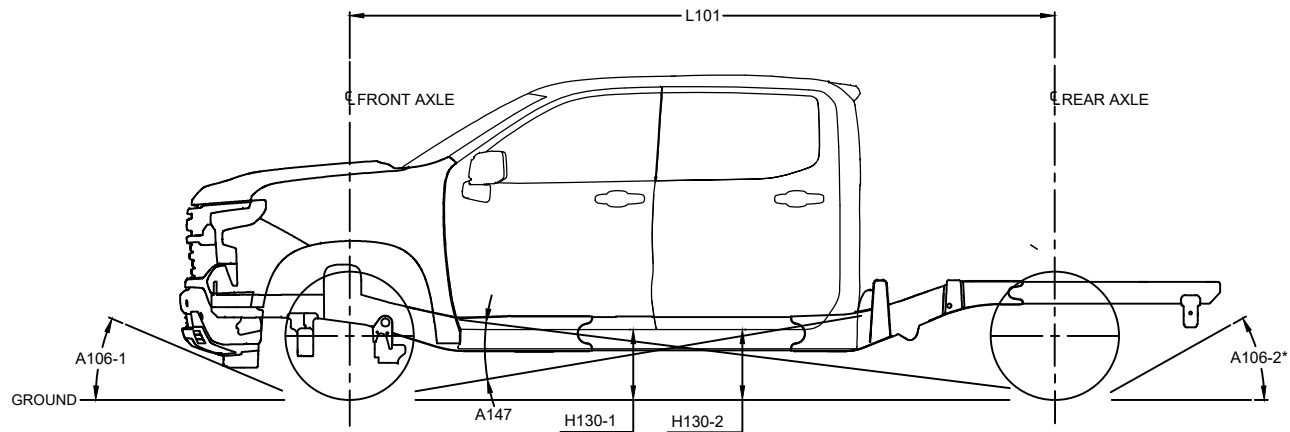
XXXXXXX

[]=INCHES

ANC10189.4

FULL SIZE C/K LD PICKUPS

Crew Cab (43) – Cab Step in Heights



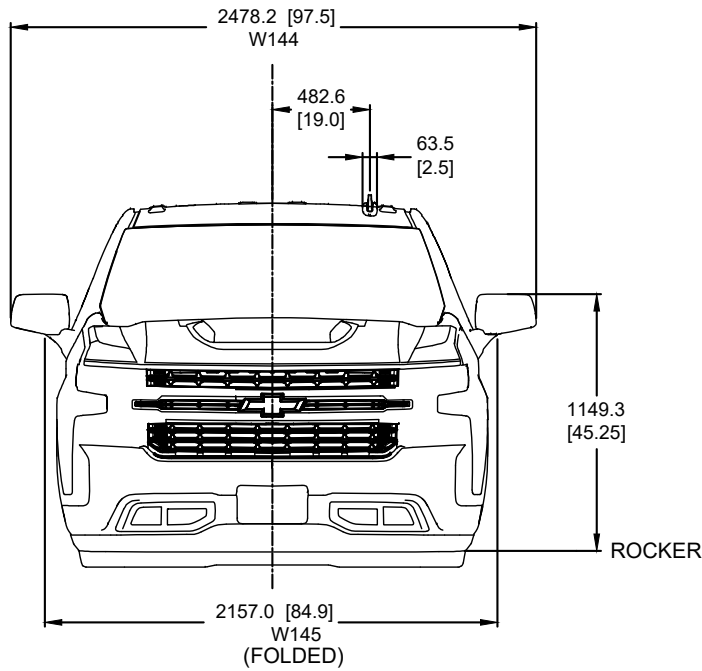
MODEL	L101 (WB)	H130-1	H130-2	A106-1	A147	A106-2
CK18, 10543	3745 (147.4)	567 (22.3)	577 (22.7)	18.5	19.2	23.7
CK18, 10743	3987 (156.9)	564 (22.2)	574 (22.5)	18.2	17.9	23.8

*Completed Vehicle

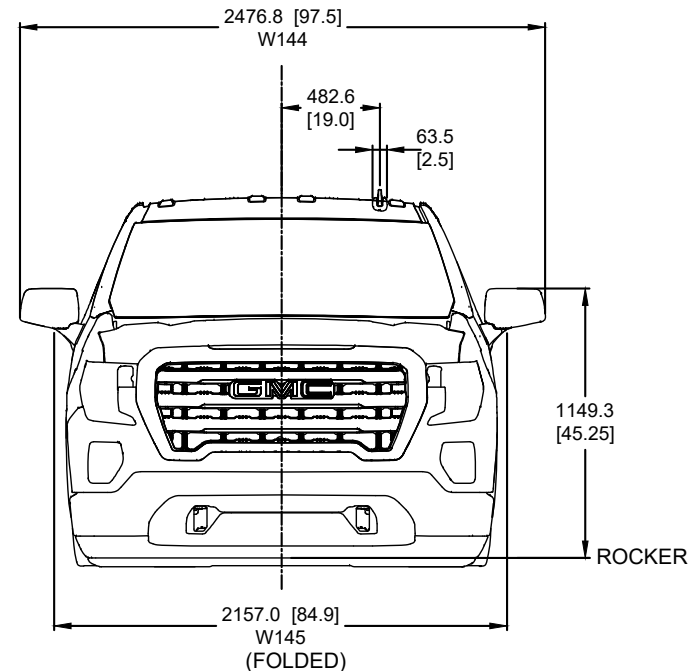
STEP IN HEIGHT FOR CK100200300 43 BASE VEHICLE @ CURB xxxxxxxx [=] = INCHES ANC10189.5

FULL SIZE C/K LD PICKUPS

C/K 180, Option DLF and C/K 2000, Option DEZ – Mirrors, Outside Rearview



* CL8 CHEVY TRUCK 180 SERIES



* CL8 GMC TRUCK 180 SERIES

ALL DIMENSIONS SHOWN FOR CHEVY
BASE MODEL UNLESS OTHERWISE NOTED

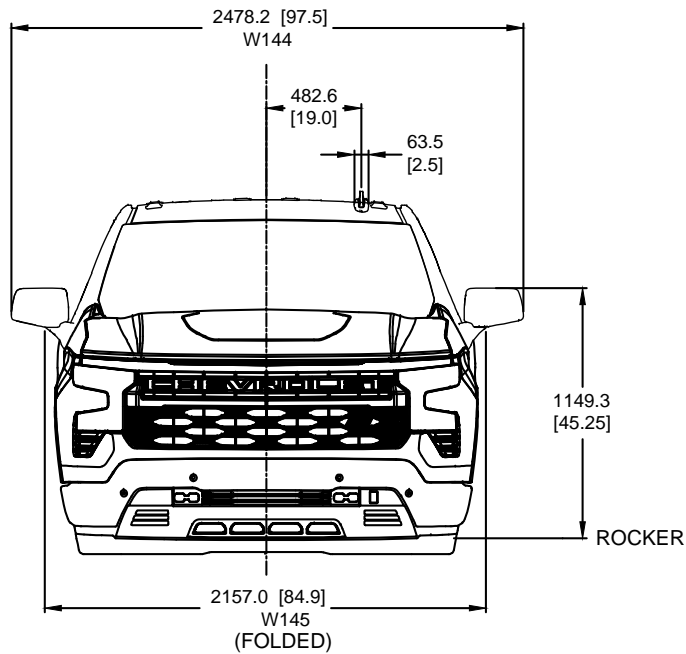
1000 2000 3000 SERIES TRUCK

[]=INCHES

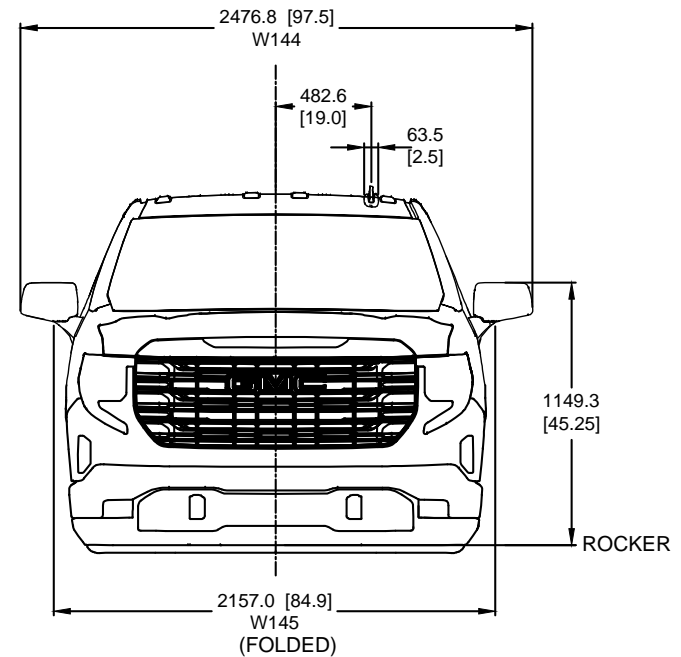
ANC22057.5

FULL SIZE C/K LD PICKUPS

C/K 100, Option DLF and C/K 2000, Option DEZ – Mirrors, Outside Rearview



* CL8 CHEVY TRUCK 100 SERIES



* CL8 GMC TRUCK 100 SERIES

ALL DIMENSIONS SHOWN FOR CHEVY
BASE MODEL UNLESS OTHERWISE NOTED

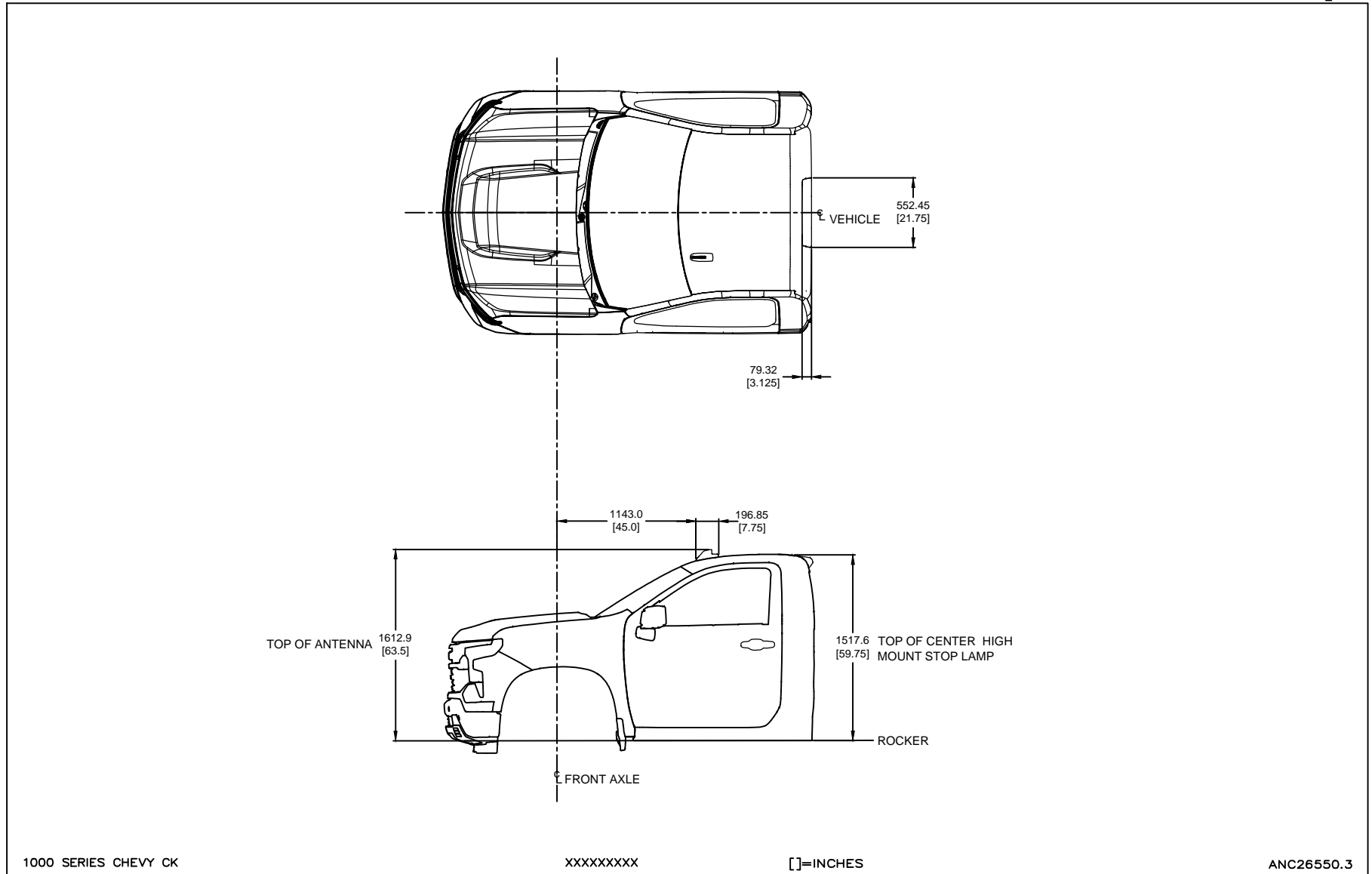
1000 2000 3000 SERIES TRUCK

[]=INCHES

ANC22057.5

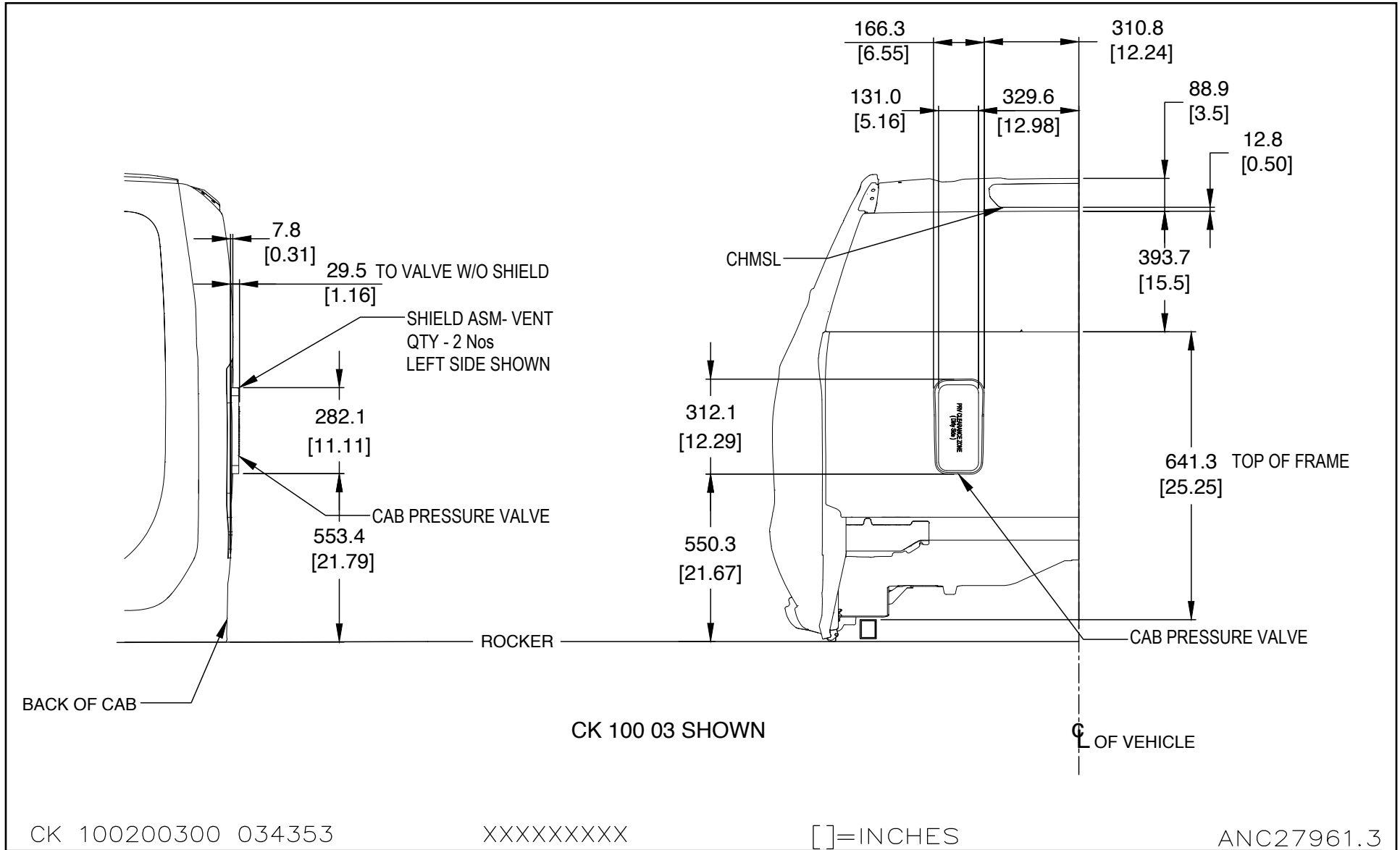
FULL SIZE C/K LD PICKUPS

Cab Clearance Lamps, CHMSL and Rear Cab Window – Fixed and Sliding



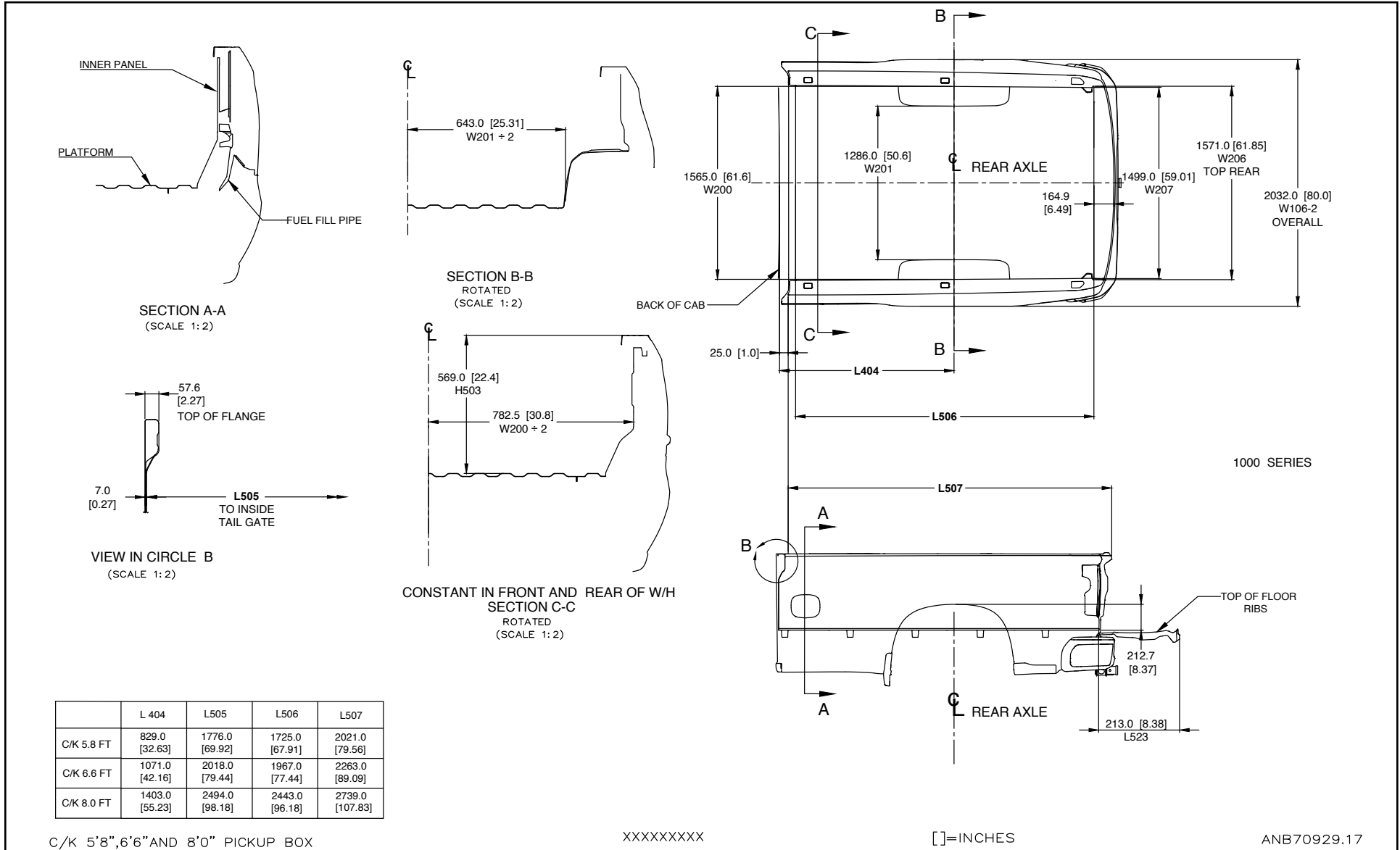
FULL SIZE C/K LD PICKUPS

Rear Quarter Body Panel – Cab Pressure Valve Assembly



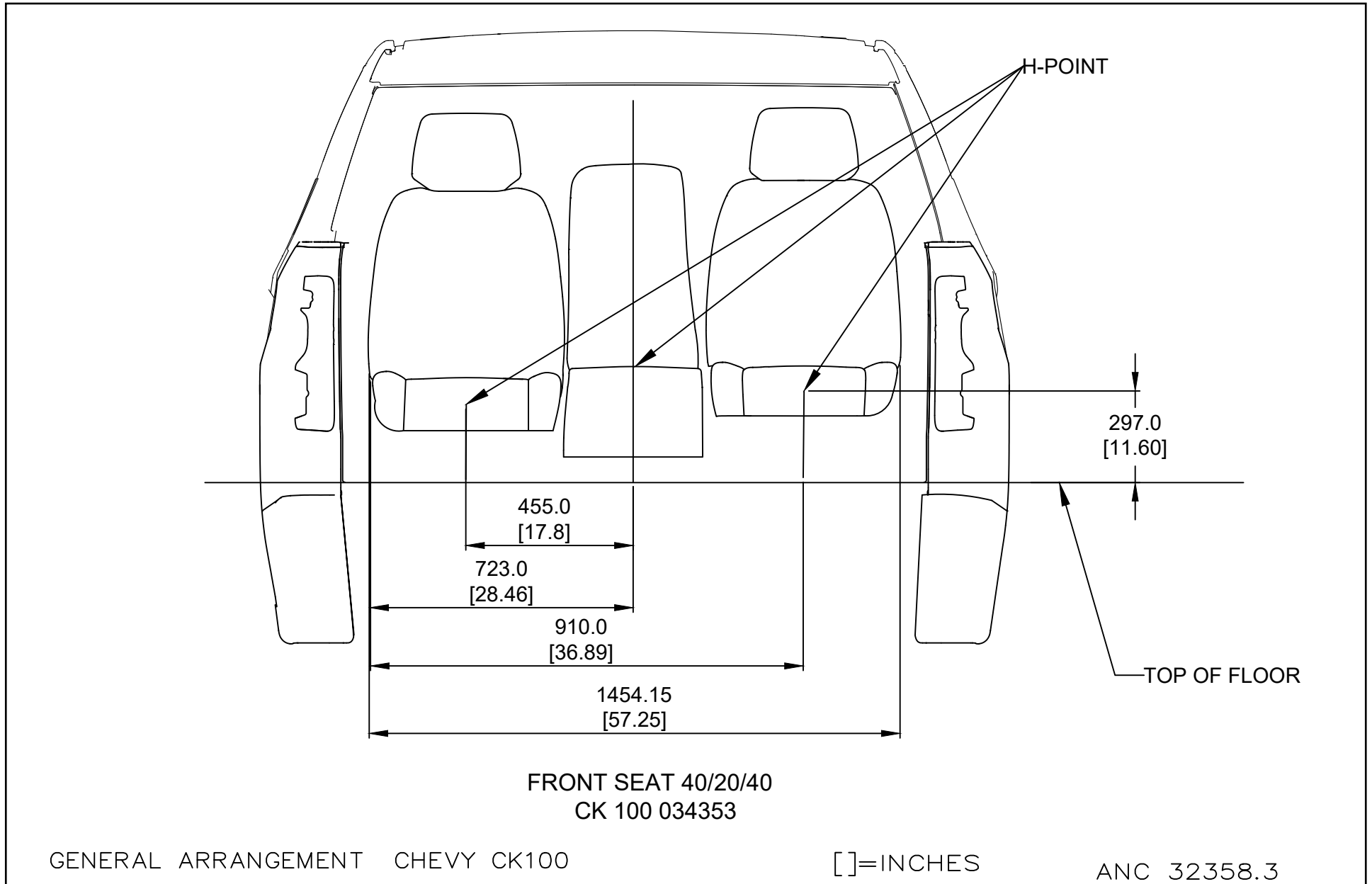
FULL SIZE C/K LD PICKUPS

Length and Width Dimension for 5' 8", 6' 6" and 8' – Pickup Box



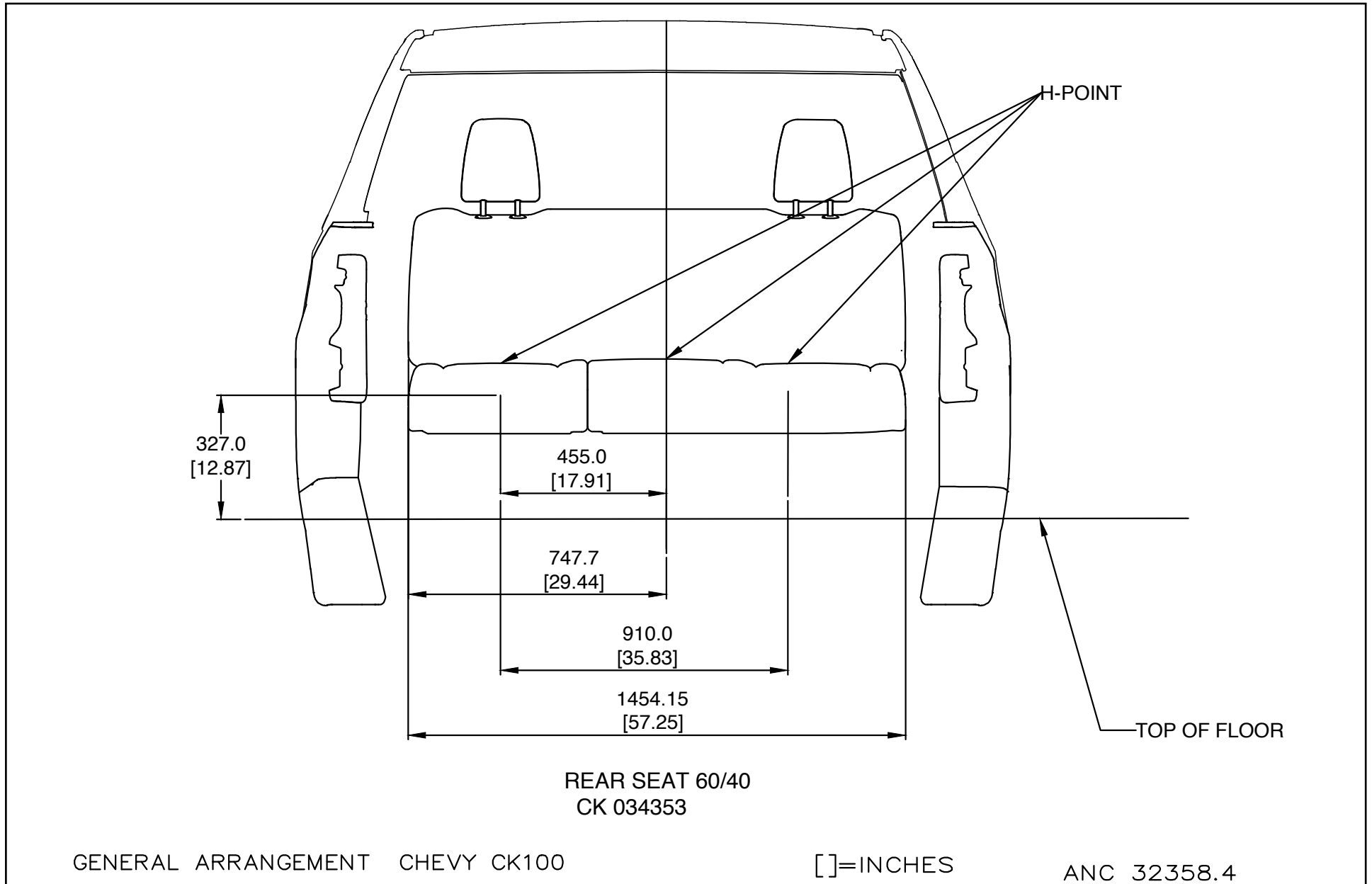
FULL SIZE C/K LD PICKUPS

Seating Positions and H Points 1st Row Front View, Pickups – C/K 100/180/200/300 (03/53/43)



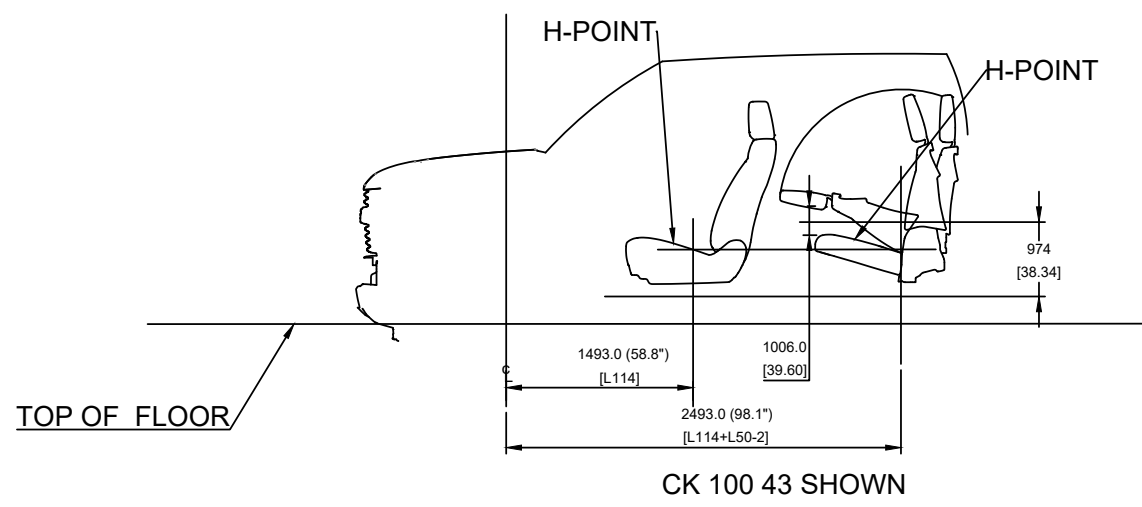
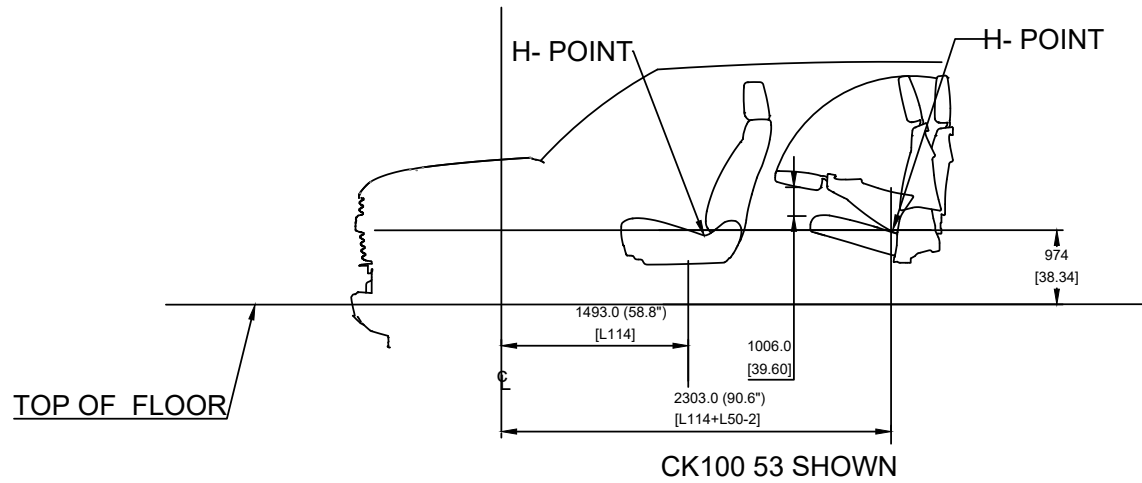
FULL SIZE C/K LD PICKUPS

Seating Positions and H Points 2nd Row Front View, Pickups – C/K 100/180/200/300 (03/53/43)



FULL SIZE C/K LD PICKUPS

Seating Positions and H Points Side View, Pickups – C/K 100/180/200/300 (03/53/43)



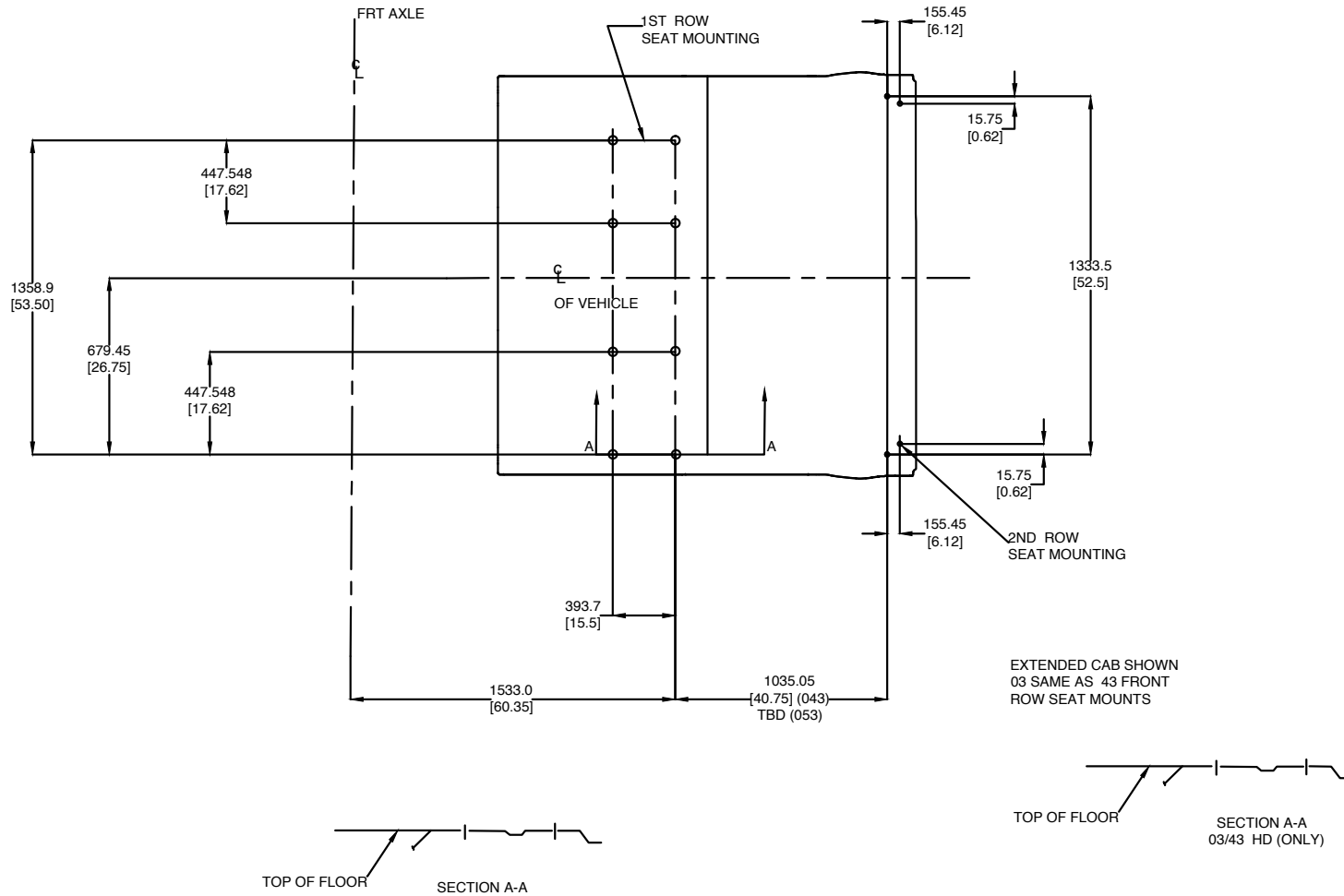
GENERAL ARRANGEMENT CHEVY CK100

[]=INCHES

ANC 32358.5

FULL SIZE C/K LD PICKUPS

C/K 100/180/200/300 (03/53) – Seat Mounting Holes Locations – Floor



C/K 100 03/53 SEAT MOUNT LOCATIONS

[]=INCHES

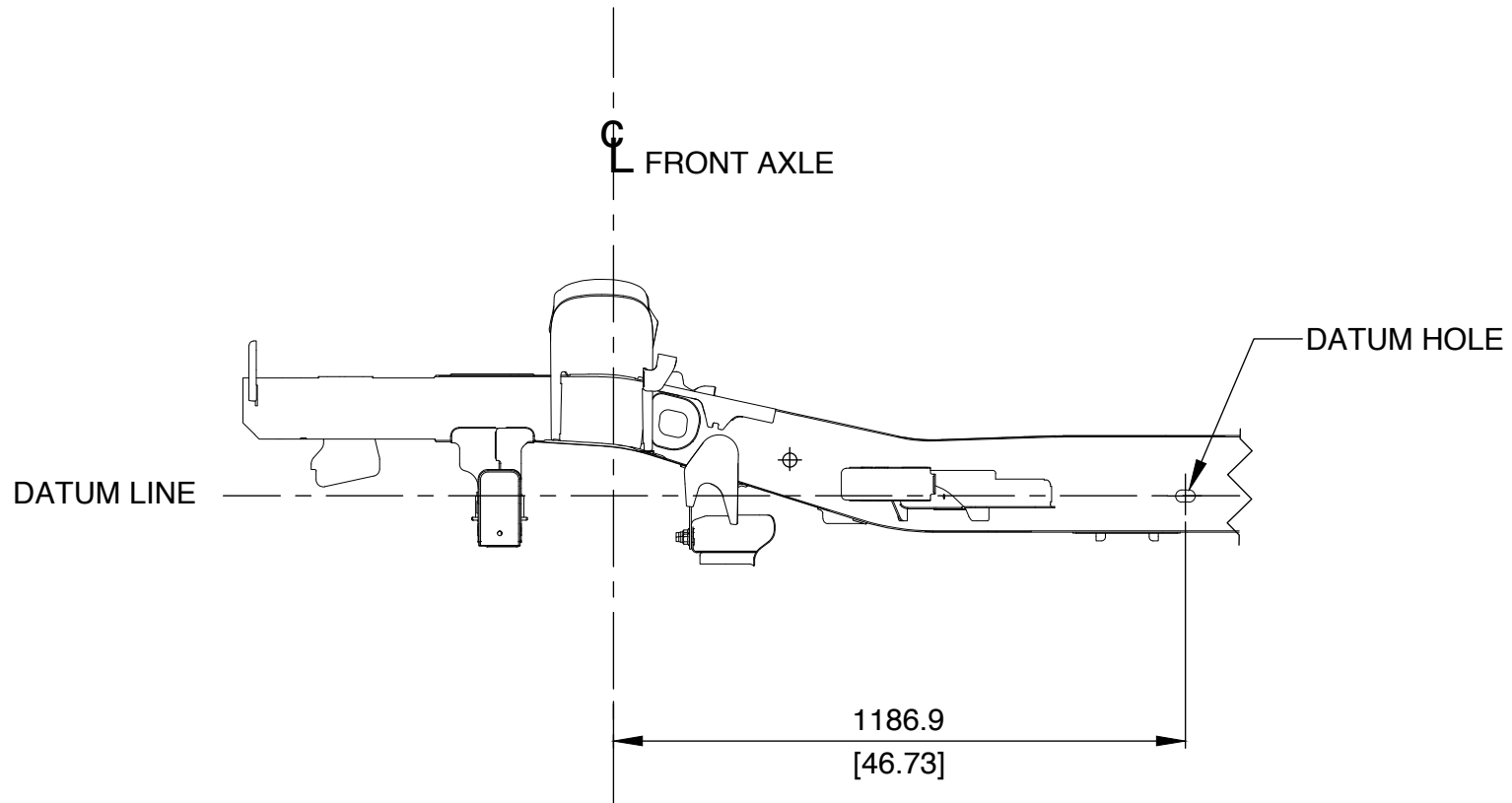
ANB51264.3

FULL SIZE C/K LD PICKUPS

TBD

FULL SIZE C/K LD PICKUPS

C/K 100/180 (00) – Datum Hole Location



GMT CK 100 FRAME DATUM LOCATION

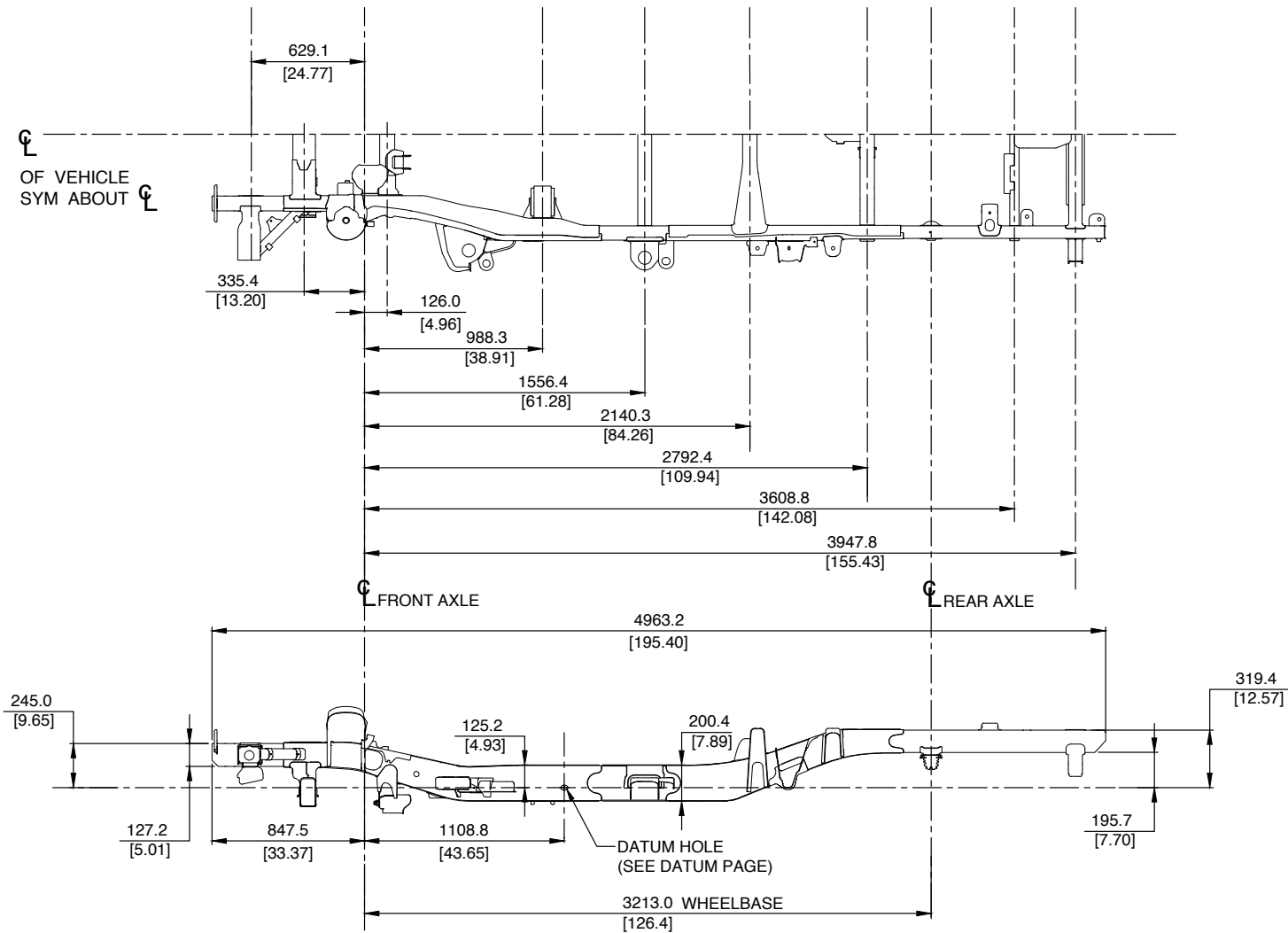
XXXXXXXXXX

[]=INCHES

ANC30752.3

FULL SIZE C/K LD PICKUPS

C/K 18, 10703 – Frame Rail and Crossmember Locations



C/K 10703 2016

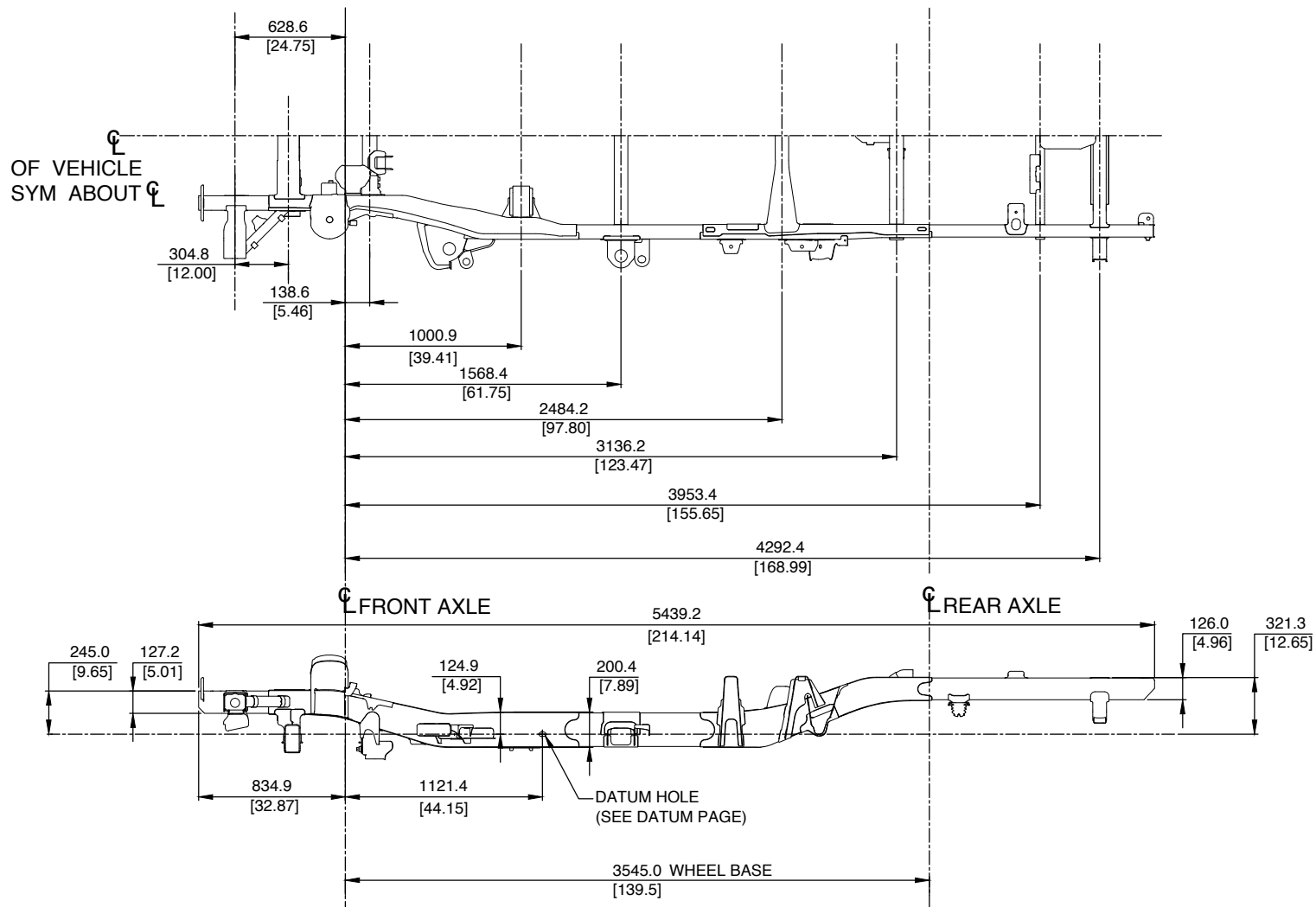
XXXXXXXXXX

[]=INCHES

ANB34864.6

FULL SIZE C/K LD PICKUPS

C/K 18, 10903 – Frame Rail and Crossmember Locations



C/K 10903 2016

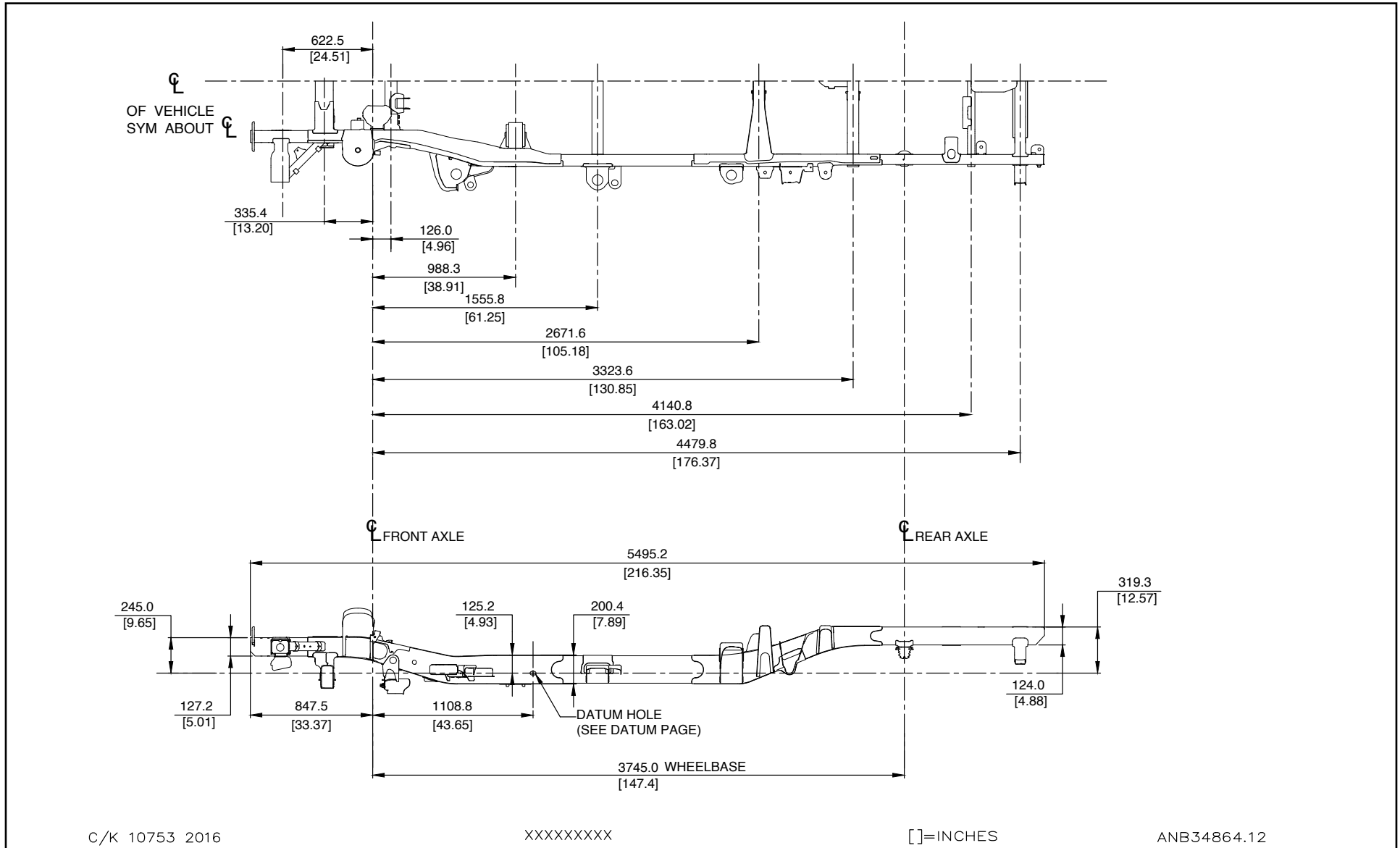
XXXXXXXXXX

[]=INCHES

ANB34864.7

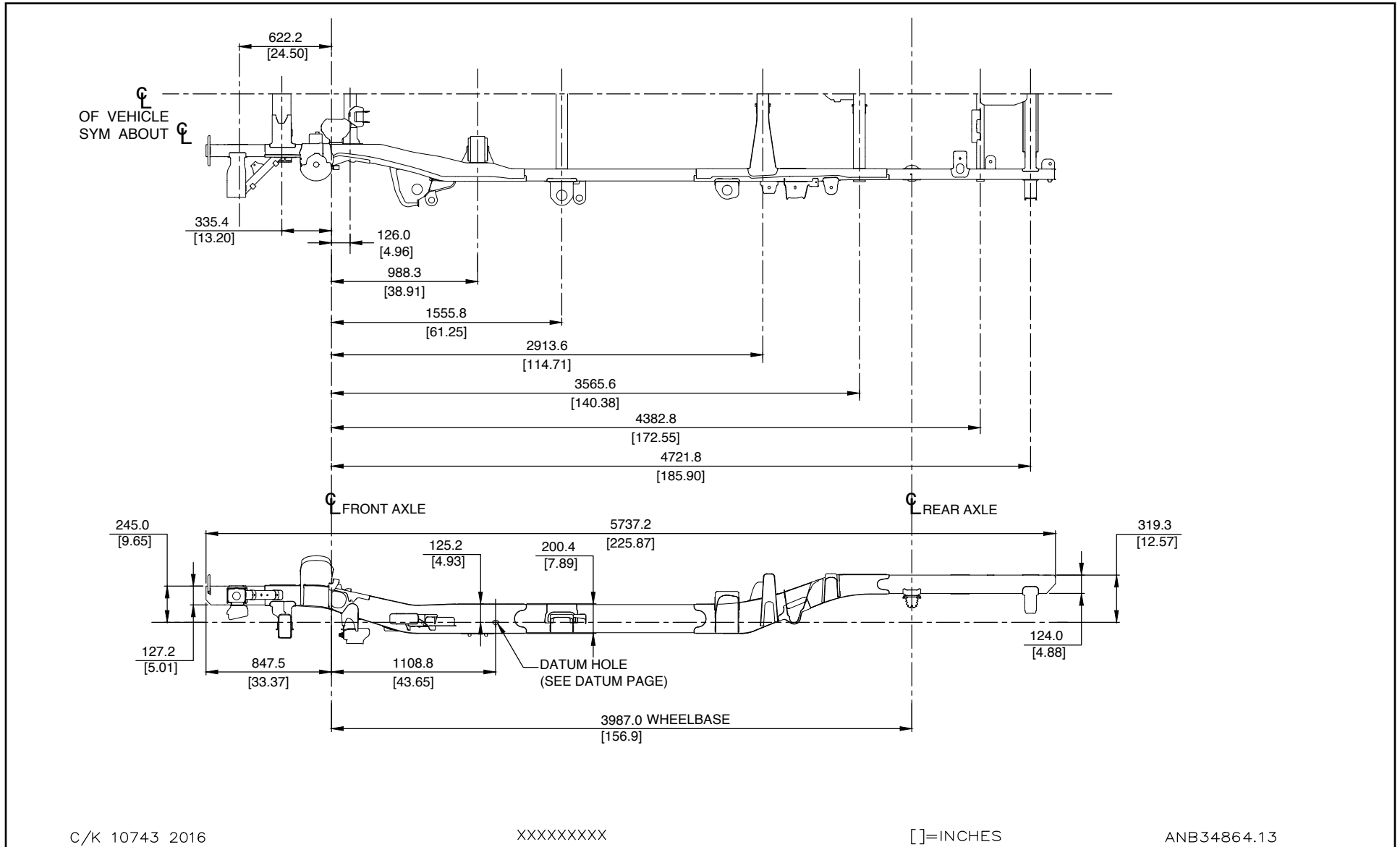
FULL SIZE C/K LD PICKUPS

C/K 18, 10753 – Frame Rail and Crossmember Locations



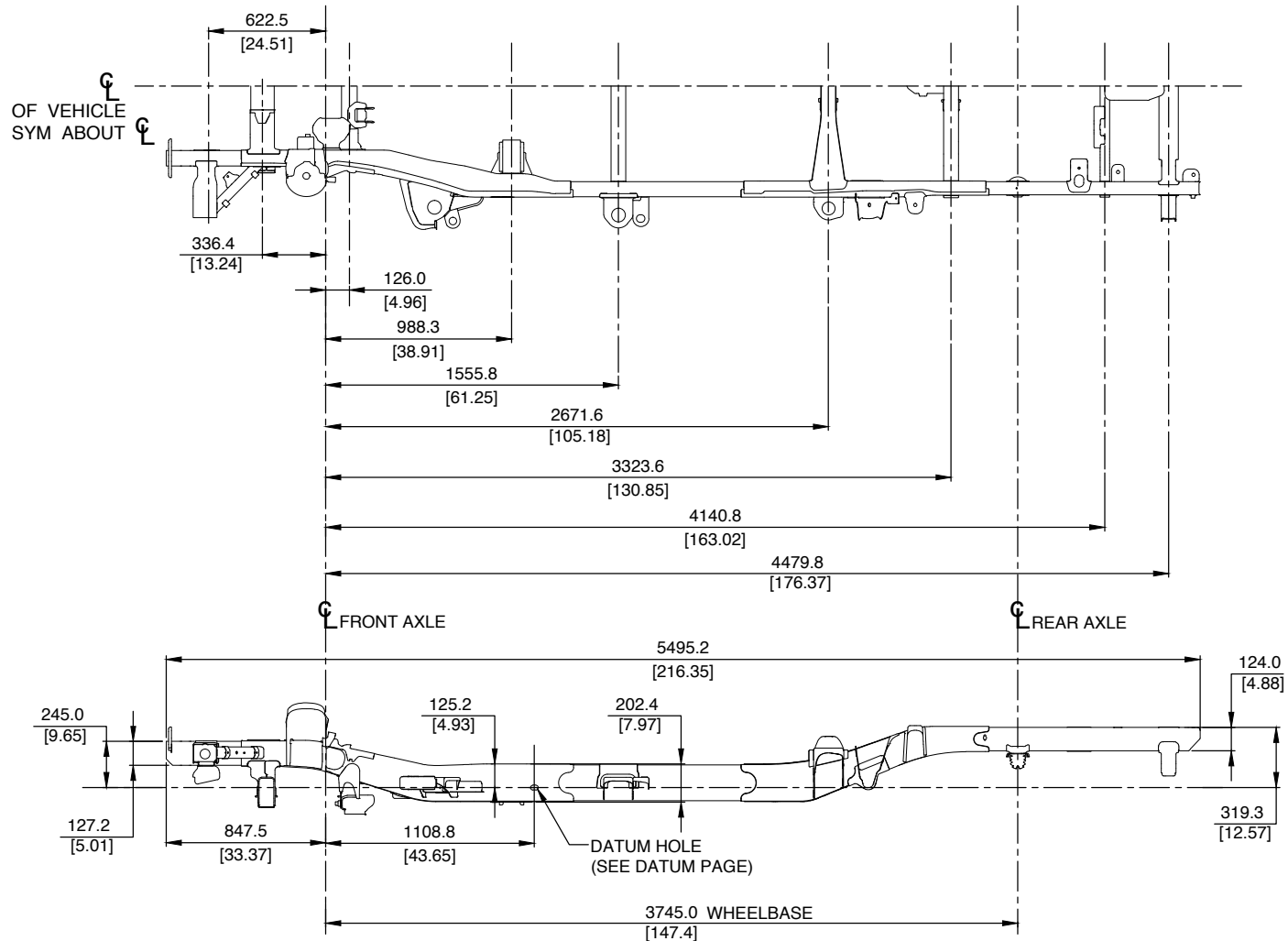
FULL SIZE C/K LD PICKUPS

C/K 18, 10743 – Frame Rail and Crossmember Locations



FULL SIZE C/K LD PICKUPS

C/K 18, 10543 – Frame Rail and Crossmember Locations



C/K 10543 2016

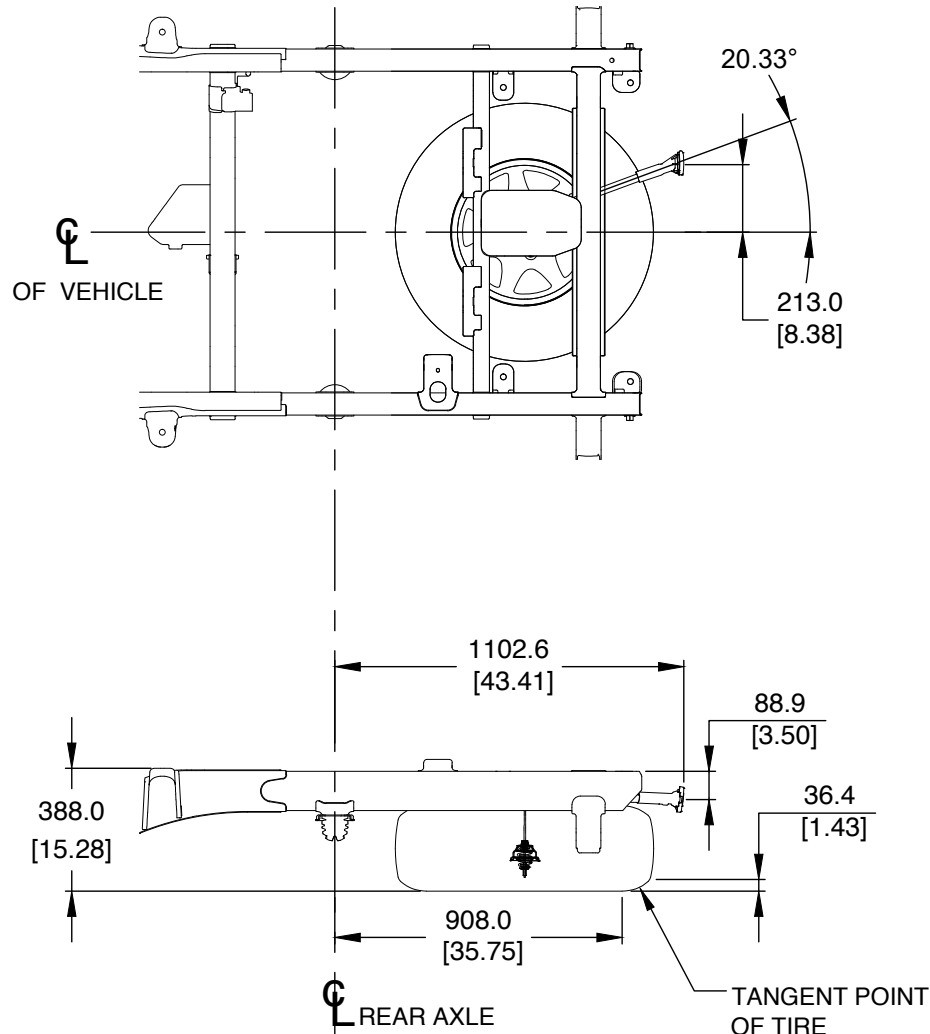
XXXXXXXXXX

[]=INCHES

ANB34864.17

FULL SIZE C/K LD PICKUPS

C/K 100,180 Series Pickup – Spare Tire Location



SPARE TIRE TRUCKS 1000 SERIES

XXXXXXXX

[]=INCHES

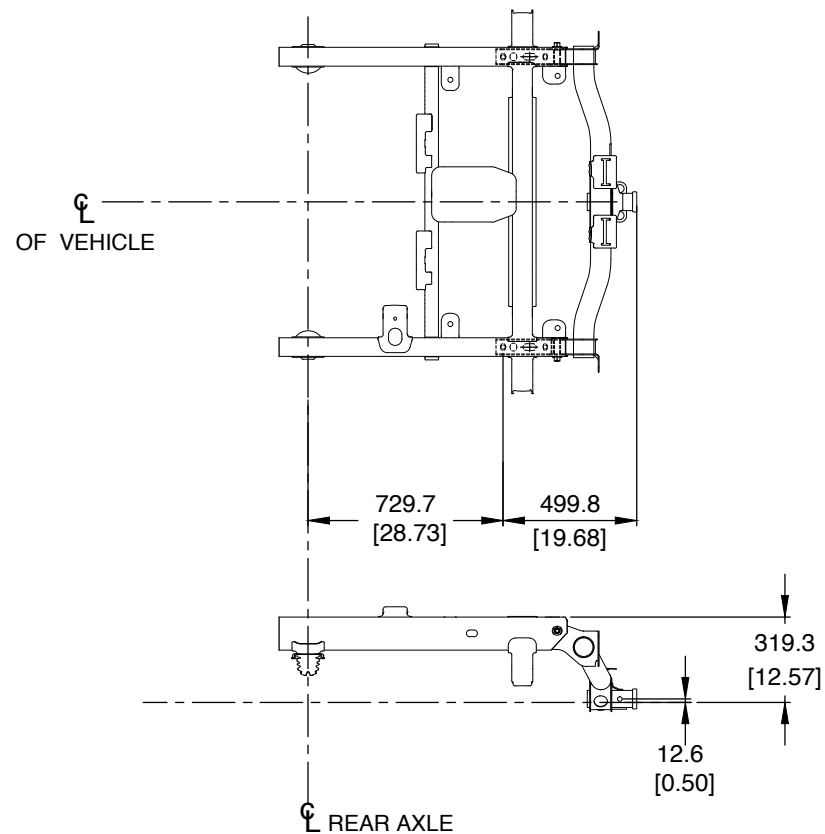
ANC39360.4

FULL SIZE C/K LD PICKUPS

Pickups C/K 100, 180 (03/53/43) – Platform Hitch/GCWR

2019 VEHICLE W / TRAILER RATING

ENGINE	GCWR	GVWR-RPO
2.7L(L3B)	12,000 LBS	C5U, C5H, C5W
4.3L(LV3)	12,800 LBS	C5U, C5H, C5W, C3J
5.3L(L82)	15,000 LBS	C5U, C5H, C5W, C5Y
5.3L(L82)	14,000 LBS	C3J
5.3L(L84)	15,000 LBS	C5U, C5H, C5W
5.3L(L84)	16,800 LBS	C5Y, C6A
6.2L(L87)	15,000 LBS	C5W, C5Y, C5H
6.2L(L87)	17,800 LBS	C6A
3.0L(LM2)	13,000 LBS	C5H, C5W, C5Y
3.0L(LM2)	15,000 LBS	C5Y, C5Z



C/K 100 03/43/53

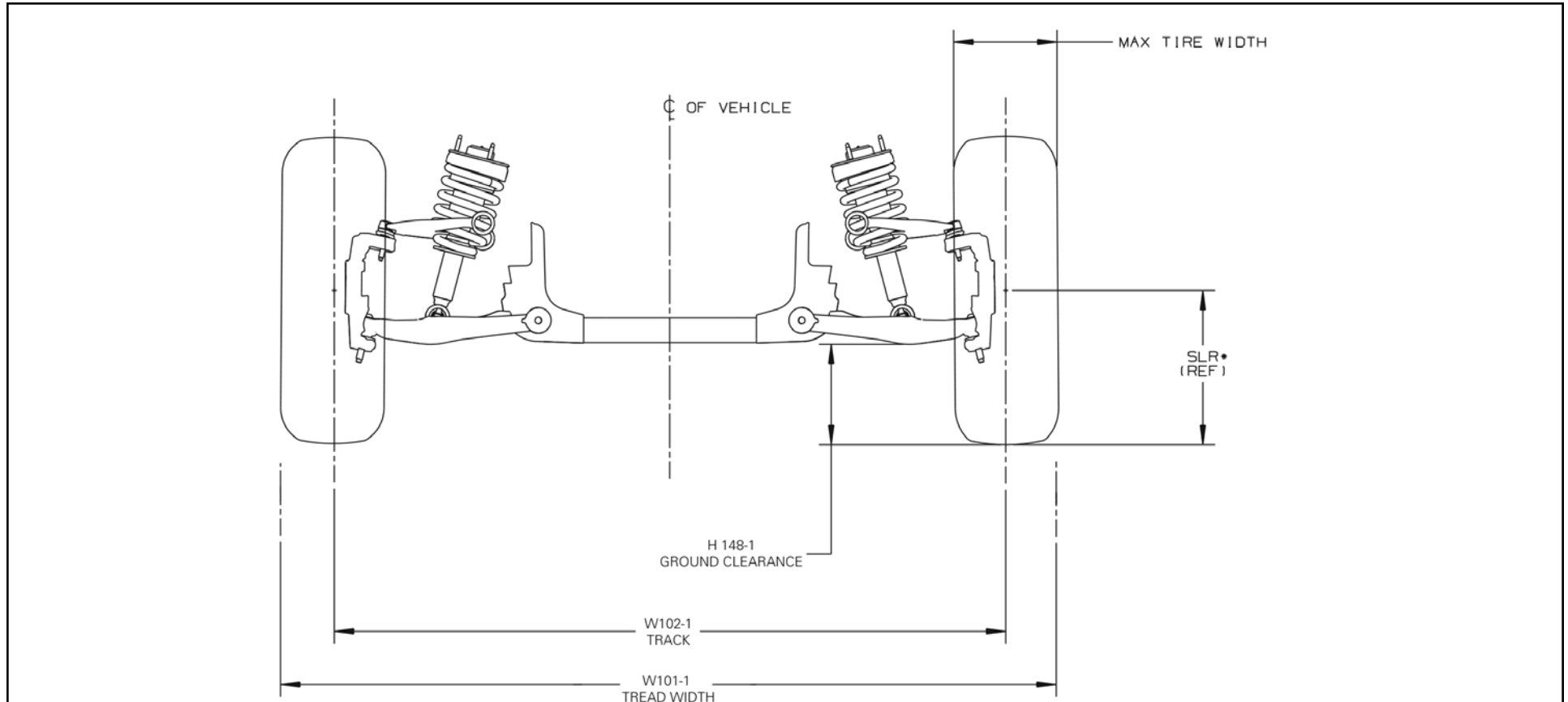
XXXXXXXXXX

[]=INCHES

ANB84248.3

FULL SIZE C/K LD PICKUPS

Front Axle Tire Data Drawing – C/K 100, 180 Pickups



- VYU : SNOW PLOW
- ZB3 : CHASSIS PACKAGE SOLID SMOOTH RIDE
- ZB5 : CHASSIS PACKAGE INCREASED CAPACITY
- E63 : BODY EQUIPMENT FLEETSIDE PICKUP BOX
- Z71 : CHASSIS PACKAGE OFF ROAD
- ZW7 : CHASSIS PACKAGE PREMIUM SMOOTH RIDE

*MINIMUM GROUND CLEARANCE TO BE CALCULATED BY USING GROSS AXLE WEIGHT AND RECOMMENDED TIRE PRESURE

1" = 1 INCHES

1000 SERIES/TRUCK FRONT AXLE/TIRE DATA

ANB46140.13

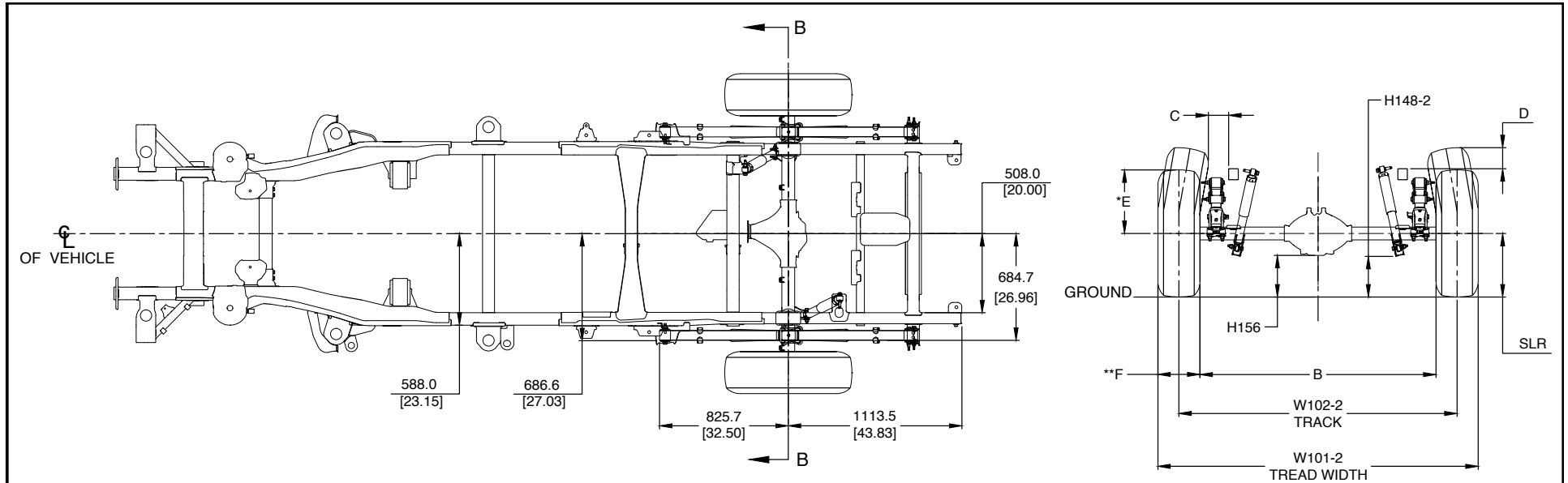
FULL SIZE C/K LD PICKUPS

Front Axle Tire Data Chart – C/K 100, 180 Pickups

SERIES	Tire RPOs	SLR	WHEEL/AXLE				TIRE			H148-1 Ground Clearance
			Size	Offset	W102-1 Track	W101-1 Tread Width	Size	Max Width	Max GVWR	
C10543	RBZ,RC3,RC5	382	17x8	24	1745	2031	P255/70R17	286	7100	232
C10753	RBZ,RC3,RC5	382	17x8	24	1745	2031	P255/70R17	286	7100	228
C10743	RKX,RBX,RI8	382	17x8	24	1745	2031	P255/70R17	286	7100	230
C10703	RBZ,RC3,RC5	382	17x8	24	1745	2031	P255/70R17	286	6800	233
C10903	RBZ,RC3,RC5	382	17x8	24	1745	2031	P255/70R17	286	6800	233
K10543	RBZ,RC3,RC5	382	17x8	24	1745	2031	P255/70R17	286	7300	233
K10753	RBZ,RC3,RC5	382	17x8	24	1745	2031	P255/70R17	286	7300	233
K10743	RBZ,RC3,RC5	382	17x8	24	1745	2031	P255/70R17	286	7300	231
K10703	RBZ,RC3,RC5	382	17x8	24	1745	2031	P255/70R17	286	6800	235
K10903	RBZ,RC3,RC5	382	17x8	24	1745	2031	P255/70R17	286	6900	234
C10543	RKX,RBX,RI8	382	18x8.5	26	1741	2032	P265/65R18	291	7100	232
C10753	RKX,RBX,RI8	382	18x8.5	26	1741	2032	P265/65R18	291	7100	228
C10743	RKX,RBX,RI8	382	18x8.5	26	1741	2032	P265/65R18	291	7100	230
C10703	RKX,RBX,RI8	382	18x8.5	26	1741	2032	P265/65R18	291	6800	233
C10903	RKX,RBX,RI8	382	18x8.5	26	1741	2032	P265/65R18	291	6800	233
K10543	RKX,RBX,RI8	382	18x8.5	26	1741	2032	P265/65R18	291	7300	233
K10753	RKX,RBX,RI8	382	18x8.5	26	1741	2032	P265/65R18	291	7300	233
K10743	RKX,RBX,RI8	382	18x8.5	26	1741	2032	P265/65R18	291	7300	231
K10703	RKX,RBX,RI8	382	18x8.5	26	1741	2032	P265/65R18	291	6800	235
K10903	RKX,RBX,RI8	382	18x8.5	26	1741	2032	P265/65R18	291	6900	234

FULL SIZE C/K LD PICKUPS

Rear Axle Tire Data Drawing – C/K 100, 180 Pickups



SECTION B-B
ROTATED 90

- VYU = SNOW PLOW.
- Z83 = CHASSIS PACKAGE SOLID SMOOTH RIDE.
- Z85 = CHASSIS PACKAGE INCREASED CAPACITY.
- E63 = BODY EQUIPMENT FLEETSIDE PICKUP BOX.
- Z71 = CHASSIS PACKAGE OFF ROAD.

- * MAX GROWN TIRE RADIUS ON NARROWEST RIM.
- ** MAX GROWN TIRE WIDTH ON WIDEST RIM
TIRE CHAINS NOT INCLUDED.

FULL SIZE C/K LD PICKUPS

Rear Axle Tire Data Chart – C/K 100, 180 Pickups

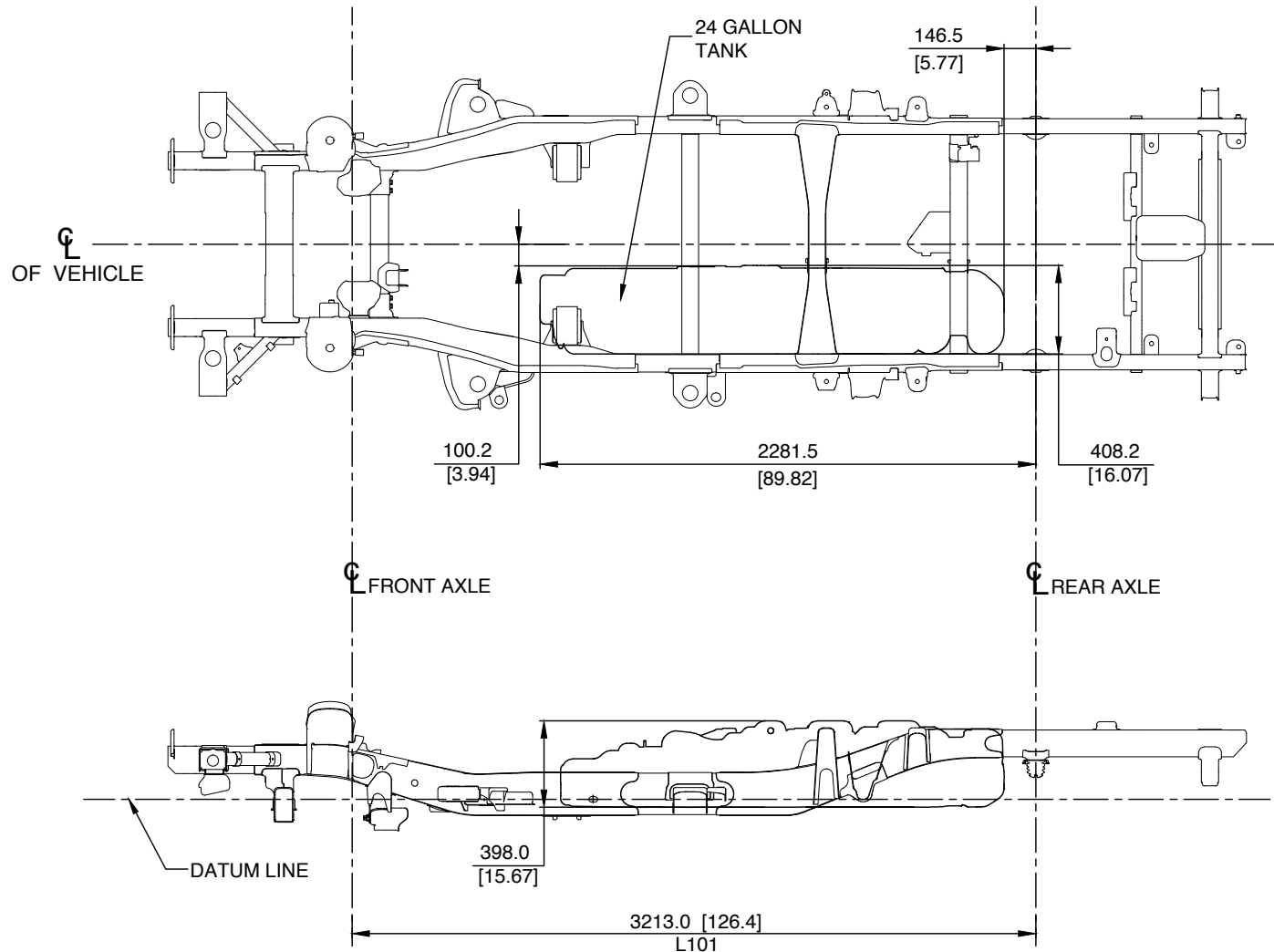
SERIES	Tire RPOs	SLR	WHEEL/AXLE					TIRE			GROUND			JOUNCE		
			Size	Offset	W102-2 Track	W101-2 Max Tread Width	B	Size	F Max Width	Max GVWR	H148-2	H156	HE	C	D	E
C10543	RBZ,RC3,RC5	390	17x8	24	1736	2022	1450	P255/70R17	286	7100	220	200	---	TBD	TBD	412
C10753	RBZ,RC3,RC5	390	17x8	24	1736	2022	1450	P255/70R17	286	7100	220	200	---	TBD	TBD	412
C10743	RBZ,RC3,RC5	390	17x8	24	1736	2022	1450	P255/70R17	286	7100	221	197	---	TBD	TBD	412
C10703	RBZ,RC3,RC5	390	17x8	24	1736	2022	1450	P255/70R17	286	6800	220	200	---	TBD	TBD	412
C10903	RBZ,RC3,RC5	390	17x8	24	1736	2022	1450	P255/70R17	286	6800	221	201	734	TBD	TBD	412
K10543	RBZ,RC3,RC5	390	17x8	24	1736	2022	1450	P255/70R17	286	7300	220	205	---	TBD	TBD	412
K10753	RBZ,RC3,RC5	390	17x8	24	1736	2022	1450	P255/70R17	286	7300	220	205	---	TBD	TBD	412
K10743	RBZ,RC3,RC5	390	17x8	24	1736	2022	1450	P255/70R17	286	7300	221	202	---	TBD	TBD	412
K10703	RBZ,RC3,RC5	390	17x8	24	1736	2022	1450	P255/70R17	286	6800	220	210	---	TBD	TBD	412
K10903	RBZ,RC3,RC5	390	17x8	24	1736	2022	1450	P255/70R17	286	6900	220	206	733	TBD	TBD	412
C10543	RKX,RBX,RI8	390	18x8.5	26	1732	2023	1441	P265/65R18	291	7100	220	200	---	TBD	TBD	408
C10753	RKX,RBX,RI8	390	18x8.5	26	1732	2023	1441	P265/65R18	291	7100	220	200	---	TBD	TBD	408
C10743	RKX,RBX,RI8	390	18x8.5	26	1732	2023	1441	P265/65R18	291	7100	221	197	---	TBD	TBD	408
C10703	RKX,RBX,RI8	390	18x8.5	26	1732	2023	1441	P265/65R18	291	6800	220	200	---	TBD	TBD	408
C10903	RKX,RBX,RI8	390	18x8.5	26	1732	2023	1441	P265/65R18	291	6800	221	201	740	TBD	TBD	408
K10543	RKX,RBX,RI8	390	18x8.5	26	1732	2023	1441	P265/65R18	291	7300	220	205	---	TBD	TBD	408
K10753	RKX,RBX,RI8	390	18x8.5	26	1732	2023	1441	P265/65R18	291	7300	220	205	---	TBD	TBD	408
K10743	RKX,RBX,RI8	390	18x8.5	26	1732	2023	1441	P265/65R18	291	7300	221	202	---	TBD	TBD	408
K10703	RKX,RBX,RI8	390	18x8.5	26	1732	2023	1441	P265/65R18	291	6800	220	210	---	TBD	TBD	408
K10903	RKX,RBX,RI8	390	18x8.5	26	1732	2023	1441	P265/65R18	291	6900	220	206	739	TBD	TBD	408

HE - Rear 'Top of Frame' Max Curb (Base Equipment)

SLR - C/L Rear Axle at EPA (Avg. of MIN/MAX CURB (Base Equipment))

FULL SIZE C/K LD PICKUPS

C/K 18, 10703 – Gas Fuel Systems



24 GALLON FUEL TANK
C/K 10703

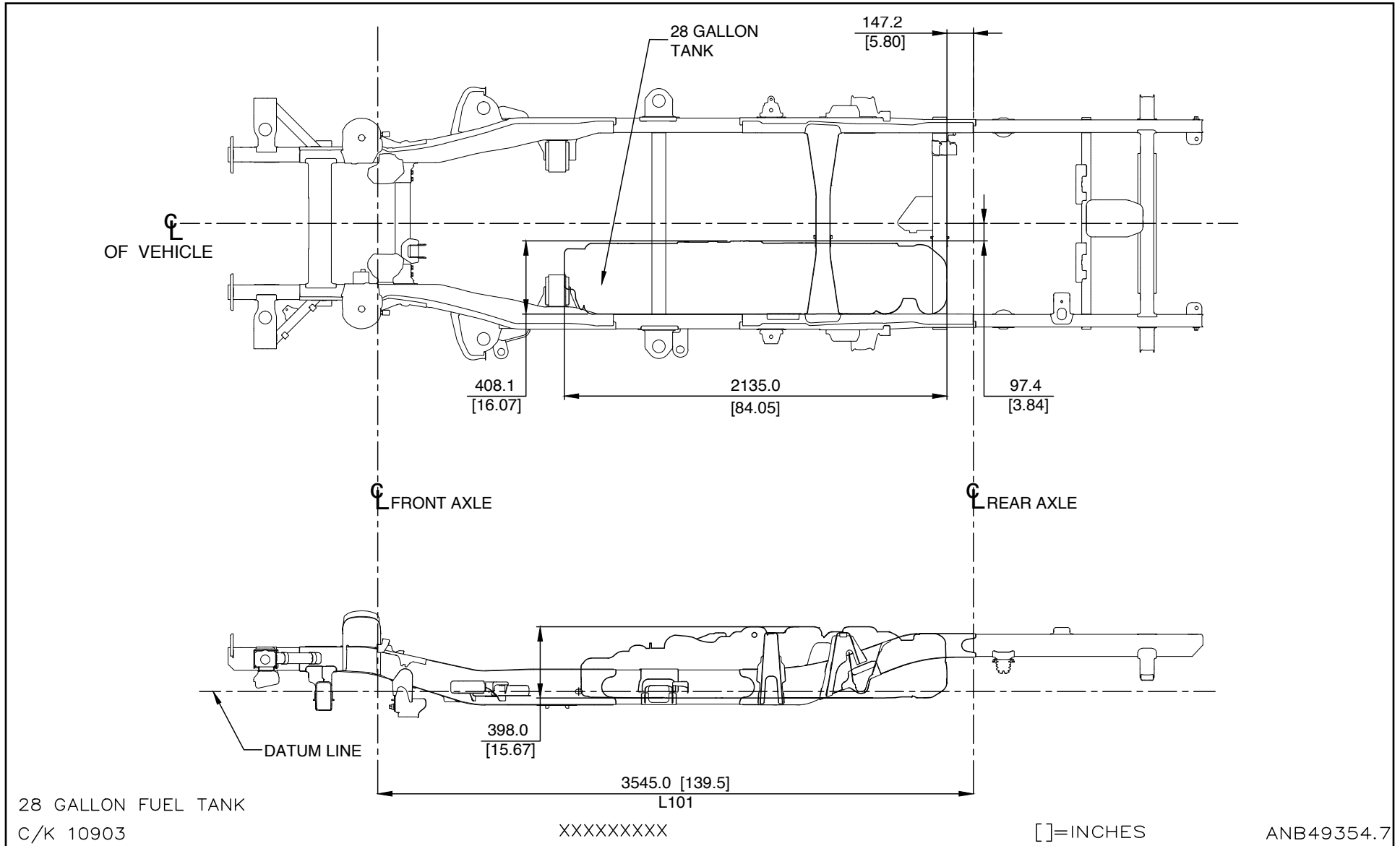
XXXXXXXXXX

[]=INCHES

ANB49354.

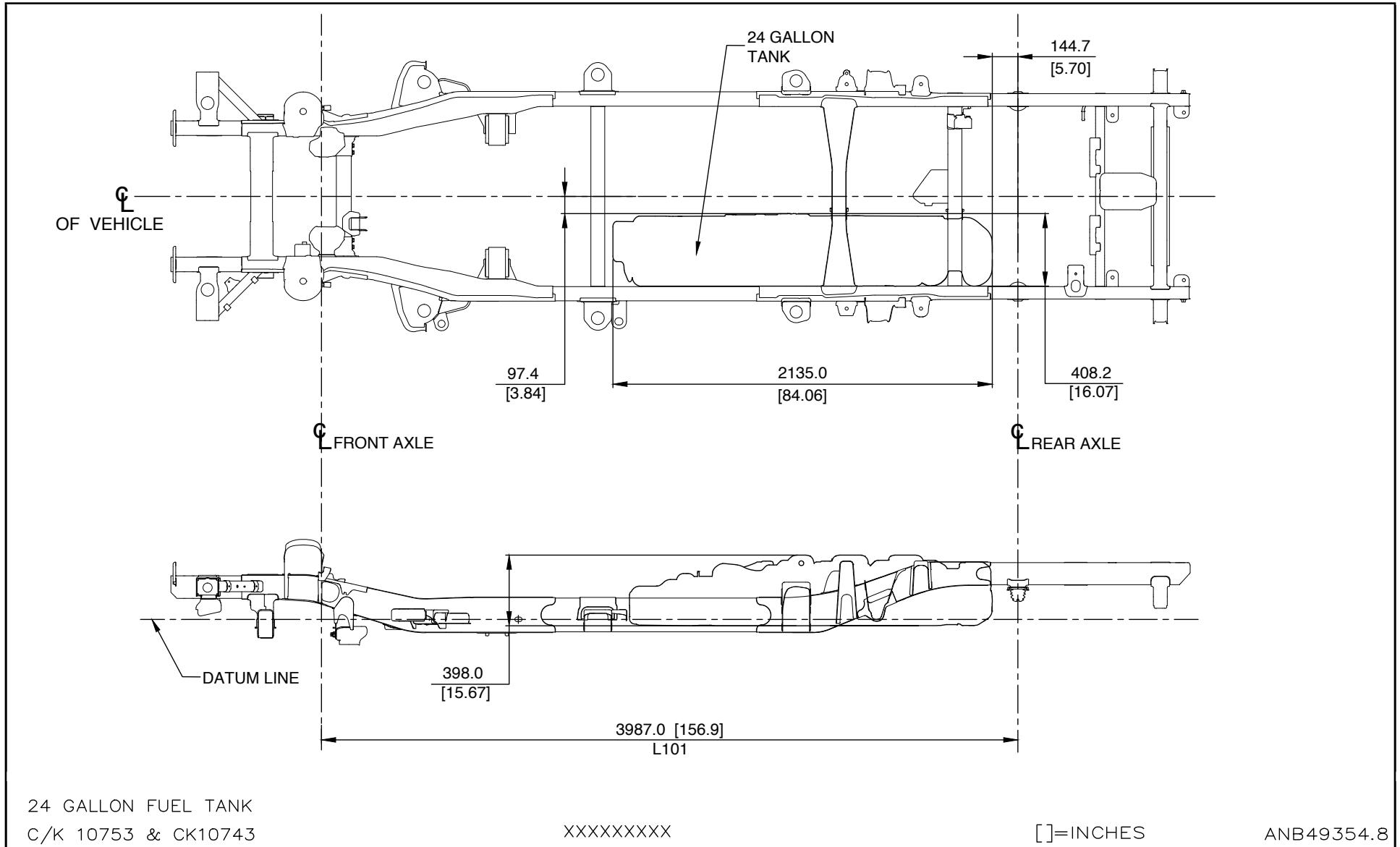
FULL SIZE C/K LD PICKUPS

C/K 18, 10903 – Gas Fuel Systems



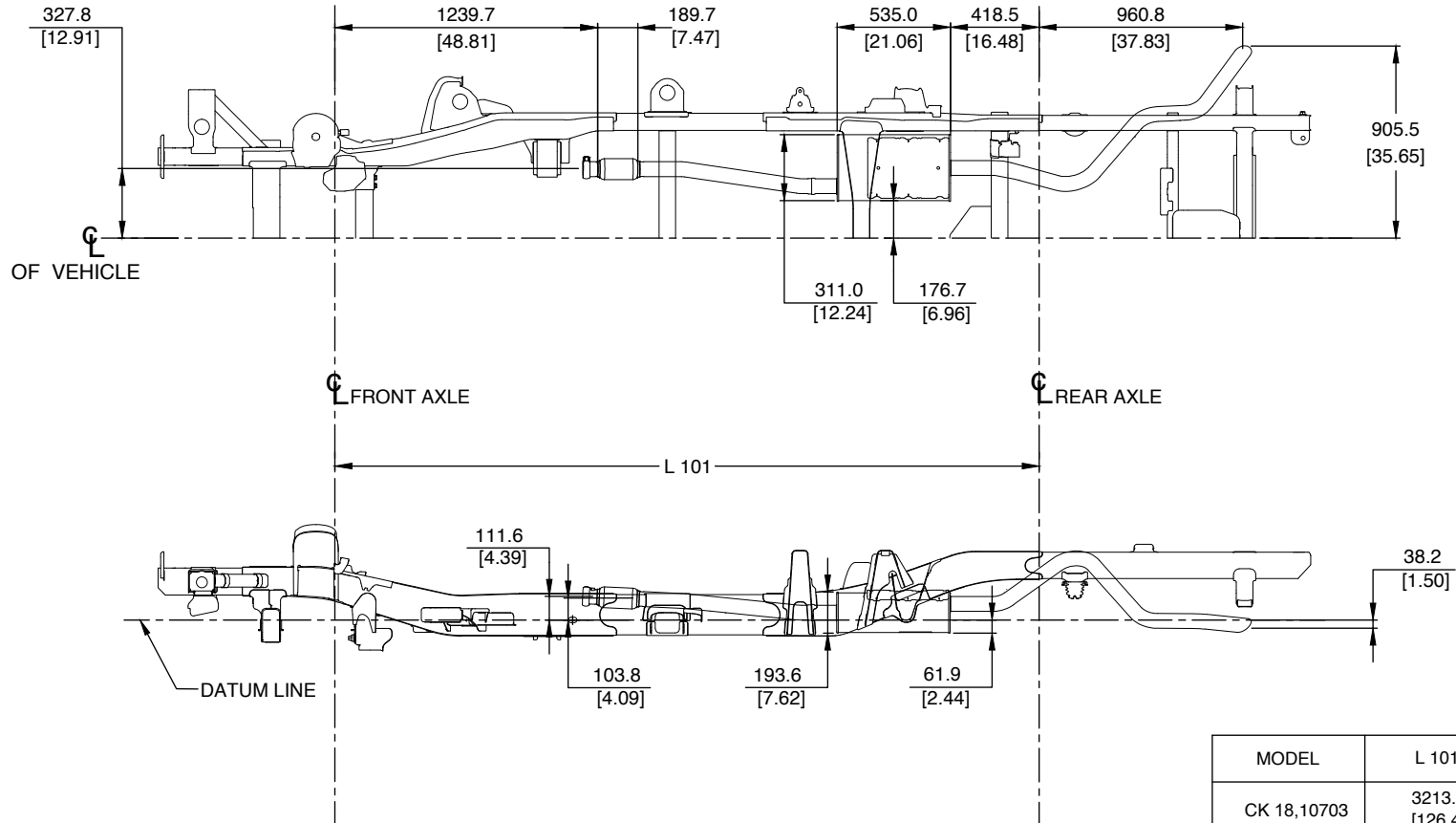
FULL SIZE C/K LD PICKUPS

C/K 18, 10743, 18, 10753 and C/K 18, 10543 Pickup – Gas Fuel Systems



FULL SIZE C/K LD PICKUPS

C/K 100, 180 (00) w/LV3 (4.3L V6) – Exhaust Systems



MODEL	L 101
CK 18,10703	3213.0 [126.4]
SHOWN CK 18,10903	3545.0 [139.5]
CK 18,10543	3745.0 [147.4]
CK 18,10743	3987.0 [156.9]
CK 18,10753	3745.0 [147.4]

EXHAUST SYSTEM LV3 (4.3L)
NU1.NU5.NT7: CK100/00 LD

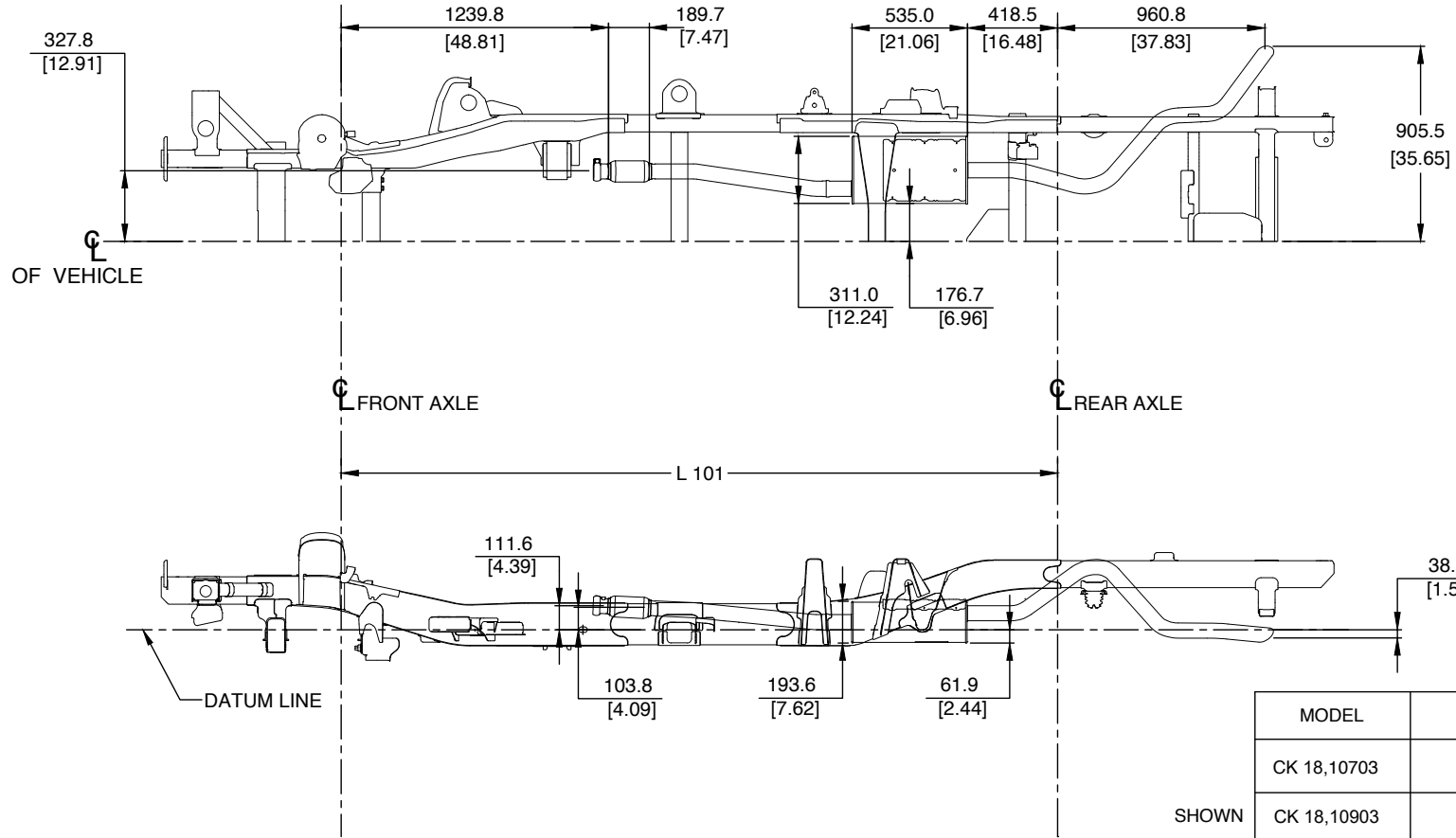
XXXXXXXXXX

[]=INCHES

ANF65340.9

FULL SIZE C/K LD PICKUPS

C/K 100, 180 (00) w/L83 & (5.3L V-8) – Exhaust Systems



SHOWN

MODEL	L 101
CK 18,10703	3213.0 [126.4]
CK 18,10903	3545.0 [139.5]
CK 18,10543	3745.0 [147.4]
CK 18,10743	3987.0 [156.9]
CK 18,10753	3745.0 [147.4]

EXHAUST SYSTEM L83 (5.3L)
NU1.NU5.NT7: CK100/00 LD

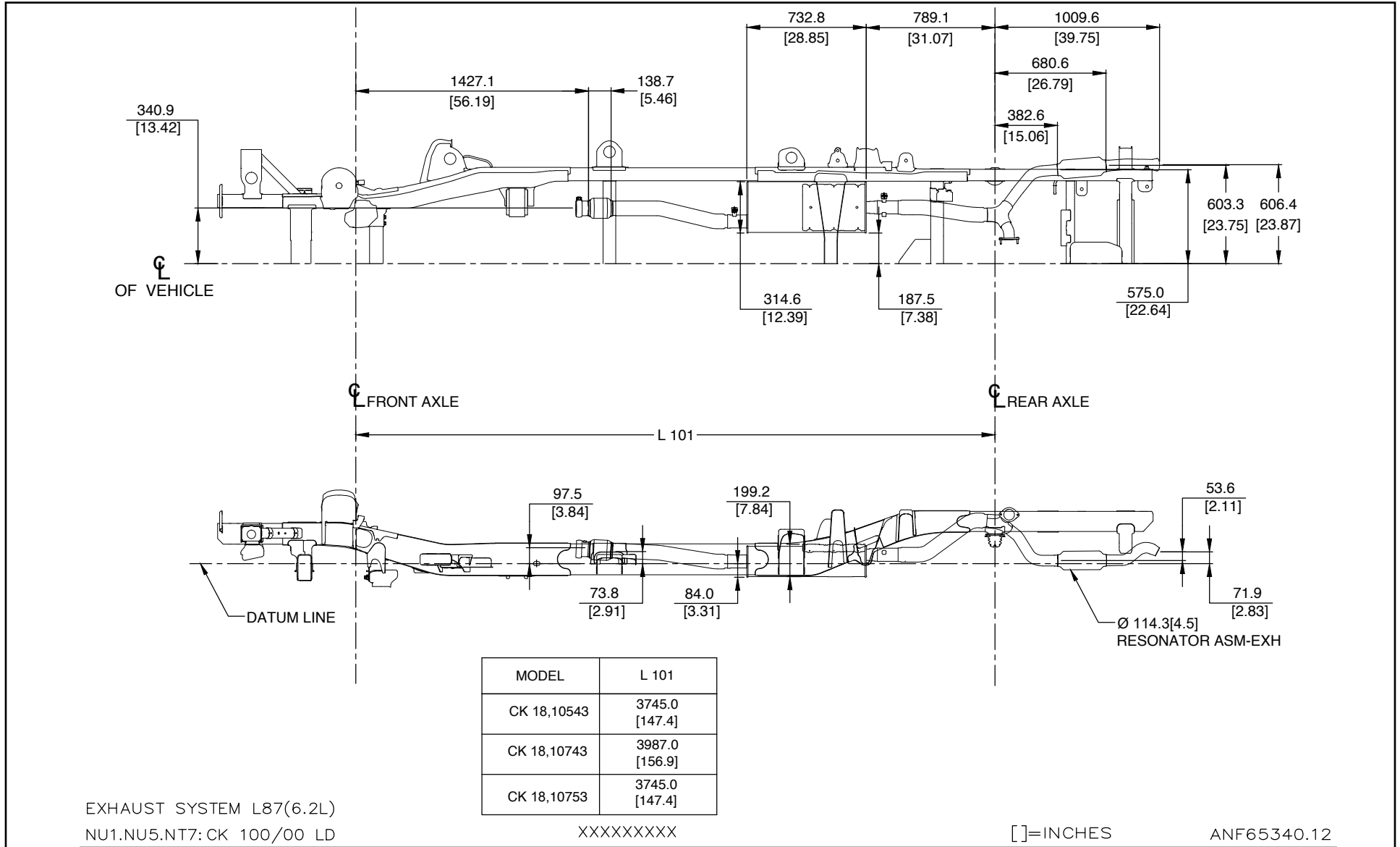
XXXXXXXXXX

[]=INCHES

ANF65340.11

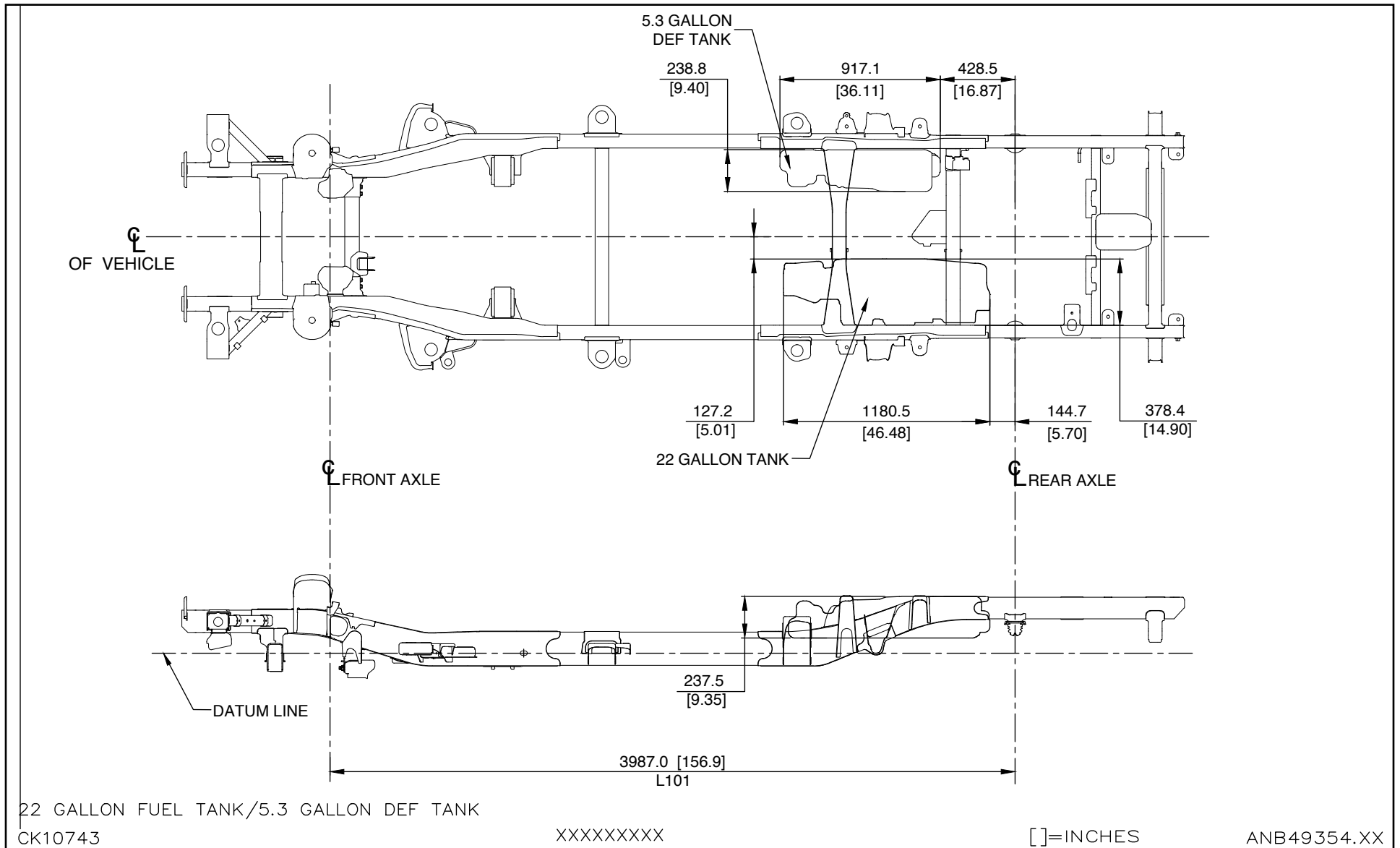
FULL SIZE C/K LD PICKUPS

C/K 100, 180 (00) w/L87 (6.2L V-8) – Exhaust Systems



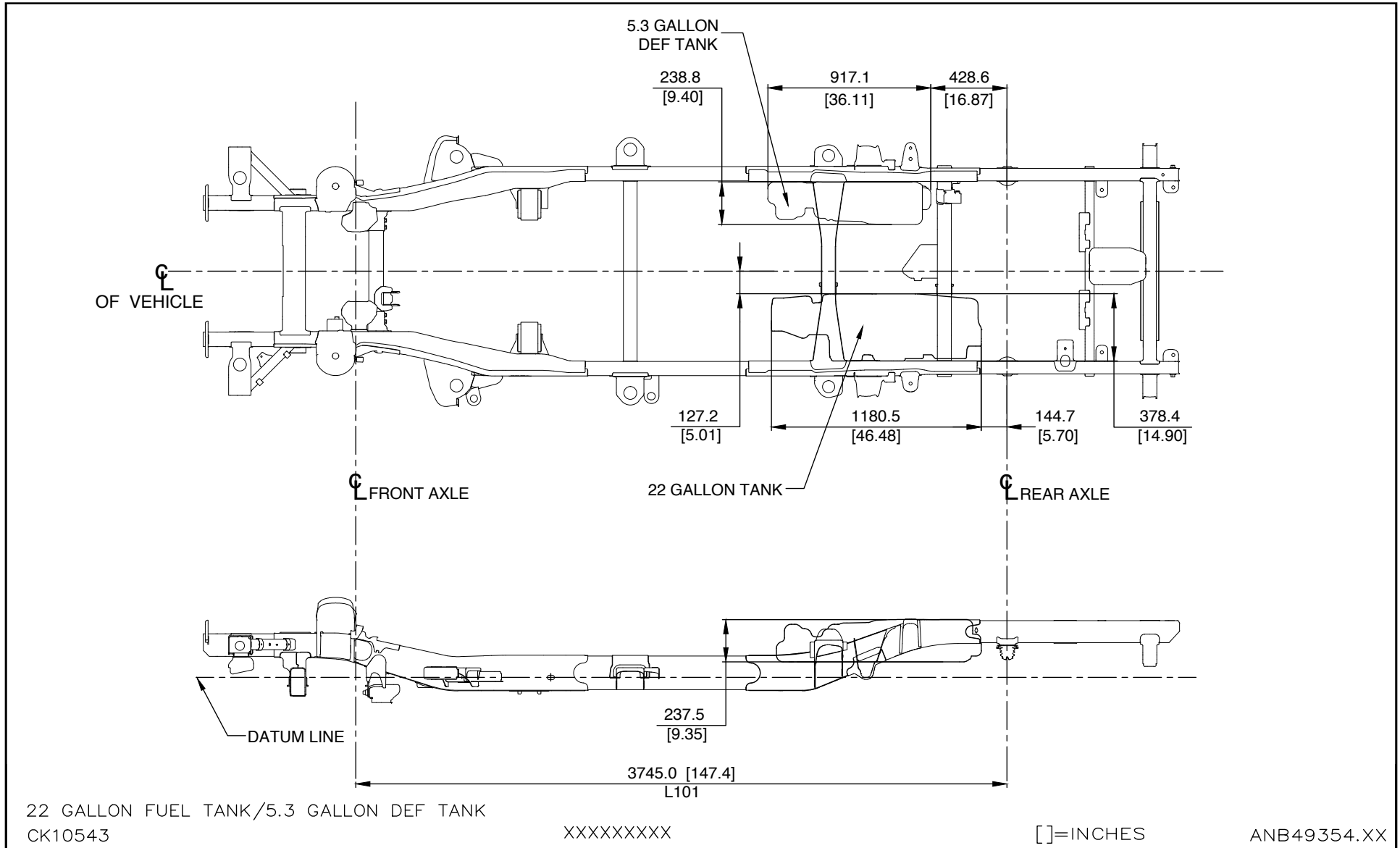
FULL SIZE C/K LD PICKUPS

C/K 18, 10743 Pickup – Diesel Fuel/DEF Systems



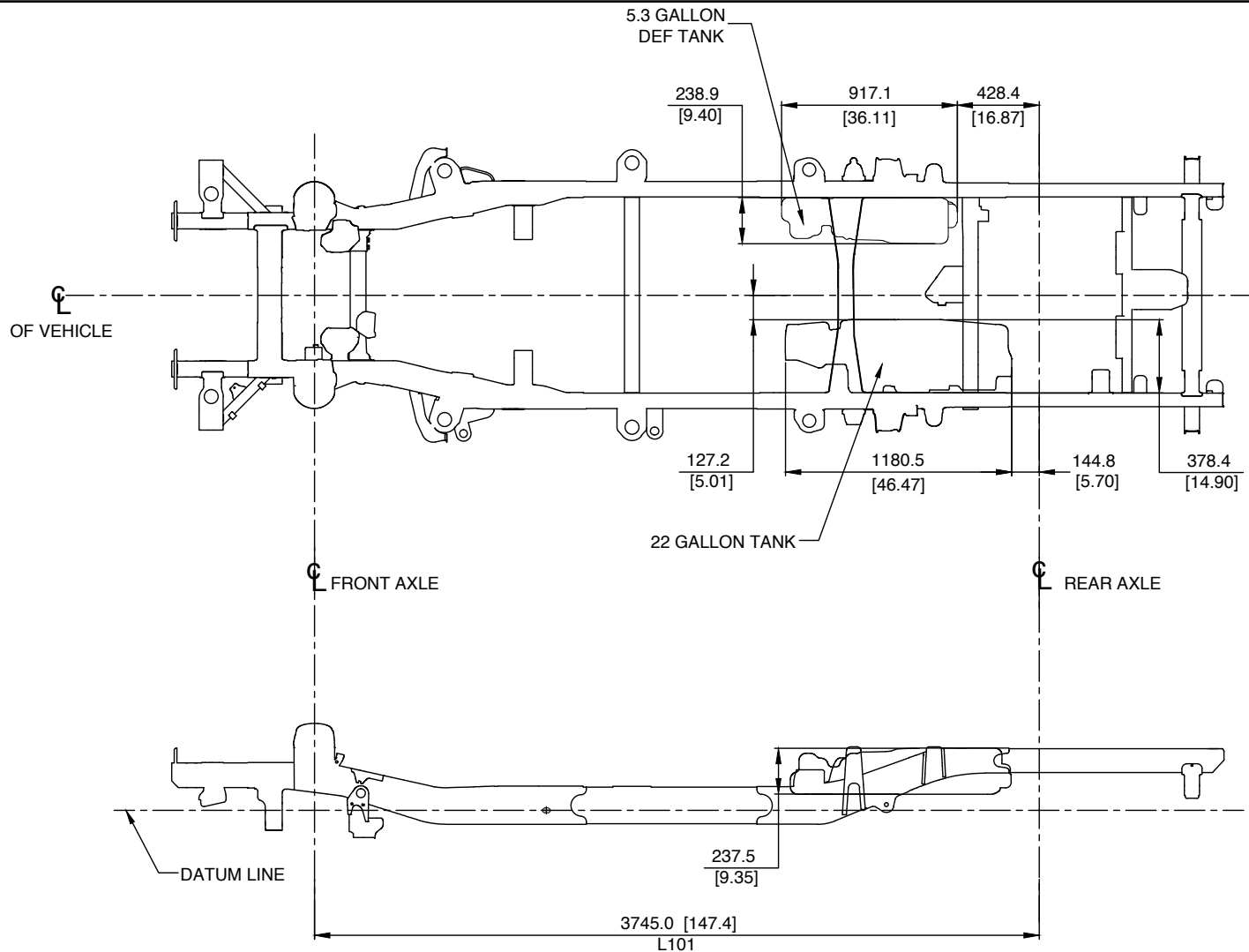
FULL SIZE C/K LD PICKUPS

C/K 18, 10543 Pickup – Diesel Fuel/DEF Systems



FULL SIZE C/K LD PICKUPS

C/K 18, 10753 Pickup - Diesel Fuel/DEF Systems



22 GALLON FUEL TANK/5.3 GALLON DEF TANK

C/K 10753

XXXXXXXXXX

[]=INCHES

ANB49354.XX