

COLORADO/CANYON S/T P.U. AND CHASSIS-CAB

General Information.....	See “Light Duty General Information” section
Vehicle and Frame Height Chart.....	See “Vehicle and Frame Height” section
Camper Loading	See Online Order Guide – Light Duty Information
Trailer Information	See “Light Duty Trailer Information” section
Model and Option Weights	See Online Order Guide – Model & Option Weight-Weight Calculator
BODY BUILDERS INSTRUCTIONS	1
Section 0 – General Instructions	1
Section 1 – Body.....	2
Air Conditioning	2
Section 2 – Frame.....	3
Flanges.....	3
Holes	3
Welding	3
Alterations	4
Shear Plate Attachments.....	4
Section 3 – Front Suspension	4
Section 4 – Rear Suspension	5
Section 5 – Brakes	5
Section 6 – Engine.....	6
Section 7 – Transmission.....	7
Section 8 – Fuel and Exhaust.....	8
Fuel Systems	8
Fuel Lines.....	8
Fuel Tank.....	9
Exhaust System	9
Section 9 – Steering	10
Section 10 – Tires	11

COLORADO/CANYON S/T P.U. AND CHASSIS-CAB

BODY BUILDERS INSTRUCTIONS – (Continued)

Section 12 – Electrical Battery and Battery Cables	11
Accessory Power Supply Feed:	12
Section 13 – Cooling	13

Model Symbol Chart	14
---------------------------------	-----------

VEHICLE GENERAL ARRANGEMENT

S/T15403	15
S/T15653	16
S/T15643	17
S/T15603	18

PICKUP WEIGHT DISTRIBUTION

Regular Cab Pickup – S/T15403	19
Extended Cab Pickup – S/T15653	20
Crew Cab Pickup – S/T15643	21
Regular Chassis-Cab – S/T15603	22

BODY

EXTERIOR

Pickup: General Arrangement – S/T15403	23
Pickup: General Arrangement – S15653	24
Pickup: General Arrangement – T15653	25
Pickup: General Arrangement – S/T15643	26
Chassis-Cab: General Arrangement – S/T15603	27
Cab – Crew (43) – H/L/W, Hood Opening, Rear Window	28
Door Swings – Extended Cab (53)	29
Door Swings – Crew Cab (43)	30
Cab, Rear Profile – Regular (03)	31

COLORADO/CANYON S/T P.U. AND CHASSIS-CAB

BODY, EXTERIOR – Continued

Cab, Rear Profile – Extended (53)	32
Cab, Rear Profile – Crew (43)	33
Hood Profile	34
Front End Sheet Metal	35
Pickup Box, Tie Down Loops, Bulkhead Dividers, Two Tier Loading, PU Box Top	36
Pickup Box, Tie Down Loops, Bulkhead Dividers, Two Tier Loading, PU Box Top	37
Pickup Box, Tie Down Loops, Bulkhead Dividers, Two Tier Loading, PU Box Top	38
Pickup Box, Tie Down Loops, Bulkhead Dividers, Two Tier Loading, PU Box Top	39

INTERIOR

Cab Interior – Regular Cab (03)	40
Cab Interior – Extended Cab (53)	41
Cab Interior – Crew Cab (43)	42
Seating Positions (03 & 53)	43
Seating Positions (43)	44

CHASSIS

FRAME AND CROSSMEMBER ARRANGEMENT

Frame and Crossmember – S/T154 (03) Regular Cab Pickup	45
Frame and Crossmember – S/T156 (43) Crew Cab Pickup	46
Frame and Crossmember – S/T156 (53) Extended Cab Pickup	47
Frame and Crossmember – S/T156 (03) Regular Cab Chassis-Cab	48

SPARE TIRE

Spare Tire Location (compact) S Truck	49
Spare Tire Location (full size) T Truck	50

TRAILER HITCH

Factory Installed Trailer Hitch, Option VR4	51
--	-----------

COLORADO/CANYON S/T P.U. AND CHASSIS-CAB

AXLE SUSPENSION

Front Axle / Tire Data.....	52-54
Rear Axle / Tire Data.....	55-58

FUEL SYSTEMS

S/T15403 & S/T15603 & S/T15653	59
S/T15643.....	60

EXHAUST SYSTEMS

Exhaust System S15403	61
Exhaust System T15403	62
Exhaust System S156 (03/43/53)	63
Exhaust System T156 (03/43/53)	64
Exhaust System S/T15653 & S/T15643 with 5.3L V8 Option LH8.....	65
Tailpipe Locations S/T 15 (000).....	66

BODY BUILDERS INSTRUCTIONS

The Incomplete Vehicle Document (IVD) is supplied with each incomplete vehicle, and provides information that should be used by intermediate and final stage manufacturers in determining conformity to applicable Federal Motor Vehicle Safety Standards (FMVSS). The IVD also includes information which must be followed in order to ensure that Environmental Protection Agency (EPA) and California emissions certification requirements and NHTSA Fuel Regulations are met.

The Body Builders Manual contains information that may be used in addition to the IVD for any manufacturer making alterations to a GM complete/incomplete vehicle. No alteration should be made to the incomplete vehicle which either directly or indirectly results in any component, assembly or system being in nonconformance with any applicable Federal Motor Vehicle Safety Standard or Emission Regulation. Intermediate and final stage manufacturers should be familiar with all Federal Motor Vehicle Safety Standards and Emission Regulations and aware of their specific responsibilities as manufacturers.

For further assistance contact Upfitter Integration at: 1 (800) 875-4742, or go to our Web site at “<http://www.gmupfitter.com>.”

Section 0 – General Instructions

Check for proper clearance between body members and chassis components which may in any way affect the reliability and performance of the vehicle by developing abrasion and wear points from moving parts or degradation from extreme environment or thermal exposure or may increase interior noise.

Check headlamp aim and all vehicle illumination systems for proper operation when the vehicle has been completed. Re-aim headlamps when necessary. Check for proper operation of windshield washer, wipers and defroster system.

Extreme care must be taken when working on vehicles equipped with Powertrain Control Module (PCM), Body Control Module (BCM) or any electronic unit associated with an inflatable restraint system. (See Owner’s Manual).

If arc-welding is employed on the chassis, precautions must be taken to protect all vehicle components, especially brake, fuel lines and fuel tank assembly, electrical wiring and ECM/PCM/TCM or BCM. To avoid electronic component damage, disconnect battery (batteries); disconnect the negative cable first, followed by the positive. To reconnect cables; connect the positive first, then the negative.

When welding components to the frame assembly, remove the wax coating in the area of the weld in order to obtain secure welds. After completion of the weld, a compatible corrosion protection should be applied to the affected weld areas.

All labels on the vehicle (any message applied to the vehicle or vehicle component that informs, instructs, or warns) must appear on the completed vehicle so the user can read them easily and without obstruction.

(Section 0 – continued from previous page)

Service and service replacement parts for your add-on systems may not be available from a GM dealer. Those installing aftermarket systems should provide information as to where and how to obtain service.

Section 1 – Body

Body structures, interior and accessory arrangements must be designed into the vehicle to provide for proper load distribution on both axles and not to exceed any gross axle weight ratings. Lateral load equalization must also be maintained. The resultant Center of Gravity of the unladen vehicle must be within the limits tabulated in the FMVSS 105 section of the Incomplete Vehicle Document.

Body insulation provided by General Motors should not be removed. This includes any thermal or underbody heat shields. This insulation is provided to protect the vehicle body and occupants from excessive heat and/or provide noise attenuation. Any replacement material internal to the occupant compartment must be certified for MVSS standard on flammability. Areas of specific concern, but not limited to, are:

- Underbody exhaust, muffler and tail pipe shields and insulators.
- Front floor interior insulation.
- Dash mat insulation.
- Engine cowl insulation – interior and exterior.

If body builder installs seating other than that supplied with vehicle, it is the body builder's responsibility to ensure that the seating and restraint systems comply with FMVSS requirements. The restraint systems supplied with the vehicle were designed to accommodate the seating reference points and seat travel of the original equipment seats only.

Air Conditioning

For additional information refer to ***Engine – Section 6***.

NOTE: Air conditioning systems using R-134A refrigerant are equipped with metric fittings to prevent interchange with R-12 refrigerant components. Do not interchange R-134A components, refrigerant oil or service equipment with R-12 components, refrigerant oil or service equipment.

Section 2 – Frame

Hole drilling, welding, modifications, or alterations to the frame assembly are the responsibility of persons performing these operations. These same individuals assume complete responsibility for frame assembly reliability, performance after alterations and compliance to applicable FMVSS requirements.

The following procedures and specific precautionary instructions are recommended for proper installation of special bodies and/or equipment on GM frames. Failure to follow these recommendations could result in serious damage to the basic vehicle.

Flanges

Do not drill holes in frame flanges.

Holes

Holes to mount brackets, supports, and out-riggers must be drilled in the vertical side rail web with the following restrictions:

- Material between edge of hole and inside of upper or lower flange must not be less than 37 mm (1.50 in.) for low carbon steel (36,000 PSI yield).
- The minimum edge distance between any two (2) holes must be larger than twice the diameter of the larger hole.
- No holes should exceed 20 mm (0.75 in.) in diameter.
- All holes should be drilled in the frame using appropriate drilling practice and safety precautions.

Welding

CAUTION: Fuel tank and fuel lines must be drained and all vapors purged to ensure noncombustible mixture before any welding, brazing or soldering.

When welding low carbon steel side rails, crossmembers and brackets (32,000 or 36,000 PSI yield strength), emphasis is placed upon weld application techniques to avoid stress risers that may adversely affect frame operating stresses.

When welding is performed anywhere on the vehicle, precautionary measures should be taken to prevent damage to electrical system wiring or components. Prior to any welding, parts or components which could be damaged by excessive temperatures must be removed or adequately shielded; the battery cables should be disconnected at the battery. Also prior to welding, the area to be welded and surrounding area must be cleaned of all frame protective coating. After welding, when parts are cool, carefully inspect wiring and electrical components.

(Section 2 – continued from previous page)

for shorts or other damage which could draw excessive currents and possibly cause an electrical system short when the battery is reconnected. Apply protective coating to areas where coating was removed.

Alterations

If the wheelbase is modified the alterer must take responsibility for compliance with affected motor vehicle safety standards and for warranty on items such as driveshafts, universal joints, center bearings and rear transmission tailshaft, transfer case and transmission case fractures, output shaft bushings, bearings, brakes, fuel systems and any other related component failures. Additionally, the customer must be alerted in the modifier's owner's manual that parts for the reworked area are not available through the General Motors service parts system.

Shear Plate Attachments

Attachments of shear plates should be accomplished by using existing manufacturing holes already available in the frame side rails. Manufacturing holes, normally 16 mm in diameter, are consistently placed along the frame side member in the center of the web on each frame.

When additional holes are required for shear plate attachment, they should be no larger than 20 mm (0.75 in.) in diameter. Holes are to be drilled no closer than 63.5 mm (2.5 in.) apart. For holes drilled forward of the rear axle, centers are to be no closer than 63.5 mm (2.5 in.) from the top or bottom flanges and no closer than 89 mm (3.5 in.) from any suspension attachments. For frame holes drilled rearward of the rear axle, hole centers are to be no closer than 51 mm (2.0 in.) from the top or bottom flange and no closer than 89 mm (3.5 in.) from suspension attachments.

No additional holes or notching of either top or bottom frame flanges is allowed.

Rear bodies or platforms added to the vehicle must utilize the released attachment points used by the pick-up box, along with fasteners of the same diameter. These are minimum requirements; additional fasteners are permissible.

Section 3 – Front Suspension

See chassis data information for clearances and assistance in calculating trim heights.

Since there is a large variation in completed vehicle front weight due to differences in body weight and equipment, the front suspension alignment must be checked and reset if necessary after the vehicle is completed. Caster and camber should be set with reference to the "A" dimensions.

See Truck Service Manual for complete alignment procedure, specifications and measurement of the "A" dimension under "Diagnosis and Front Alignment" section.

Section 4 – Rear Suspension

Clearance to body should be provided for the suspension, axle, driveshaft and tires under the following conditions: (1) Axle in full jounce against the metal-to-metal stop, (2) Axle at 4.5° roll with one side of axle in full jounce at the metal-to-metal stop and (3) Axle at design position. Allowance for the tire chain clearance shown on a maximum grown tire must allow for (1.66 in.) clearance to the sides of the tire and (2.5 in.) to the top of the tire. Be sure sufficient clearance is provided for suspension, axle and tire and wheel in full vertical travel (up and down).

NOTE: Notification to the consumer may be required in certain states if tire chains cannot be used.

Pipes, wiring, conduits and any other related components must not be placed where they cross the path of motion of the rear axle, driveshaft, axle brake pipes, hoses, spring or tires. Such crossing could result in rupture, wear through, or separation due to normal axle motion.

See chassis data information for additional clearances and for assistance in calculating trim heights.

Section 5 – Brakes

See Truck Service Manual for brake specifications.

Due to the critical nature of brake systems, anyone making modifications or alterations must assume complete responsibility for system reliability, performance and certification to FMVSS 105 or FMVSS 121.

It is mandatory that no change be made to the brake main cylinder location, brake pedal push rod length or pedal position.

Ensure that hydraulic brake system is free of air and hydraulic leaks. Bleed brakes if required, following procedures as outlined in truck chassis service manual. Ensure that vacuum booster system or hydroboost system is functional and free of leaks.

Check master cylinder fluid level and fill as necessary. (Refer to Owner's Manual).

Check power steering fluid level for models equipped with hydroboost brake. (Refer to Owner's Manual).

Added floor covering or carpeting must not restrict service or parking brake pedal travel from released position to full pedal travel.

No body part or chassis-mounted component may be located within 2.0 in. of brake hose routing in all wheel and axle positions. All exhaust system components must also have a minimum of 2.0 in. clearance to brake hoses in closest positions. (Be sure to account for brake hose travel with suspension).

(Section 5 – continued from previous page)

Body builder is to verify that the brake warning switch is operative. The brake warning switch on models equipped with vacuum-hydraulic brakes is located adjacent to the master cylinder vacuum unit. This includes both the brake system differential pressure and parking brake actuator switch.

Section 6 – Engine

For additional information refer to ***Body – Section 1.***

Air conditioning and auxiliary belt-driven equipment installation recommendations:

No alterations or additions to the accessory drive belt system will be warranted on serpentine belt systems.

The serpentine belt type of drive is designed as a total system, incorporating a single poly-V belt and an automatic tensioner. In this type of system, degrees of pulley wrap, belt tension, and pulley alignment are very critical factors. Modification is not recommended.

In some single belt serpentine systems, belt tension is determined by the automatic tensioner and its position relative to the belt. No adjustment is required.

Due to the critical nature of the accelerator system, anyone making modifications or alterations assumes complete responsibility for system reliability, performance and compliance to FMVSS 124. Caution must be exercised so that the accelerator cable is properly routed. Specifications are as follows:

- Route cable to maximize all bend radii. In no case should bend radii be less than 3 in. (76 mm).
- Minimum distance from exhaust manifold to be 6.0 in. (150 mm), unless a heat shield is provided.
- Do not use accelerator cable or clips to route wires, harnesses or other cables. Cable sheath must be clipped so as not to pinch inner cable. Cable must not be loose in clip allowing sheath to move when accelerator pedal is applied and released.
- Cable must not be subjected to kinking or routing across any sharp edges.
- Cable routing must be perpendicular to the surface of the front-of-dash at the dash fitting. No objects or routings should force cable to have a bend at the dash fitting. Flexible components (hoses, wires, conduits, etc.) must not be routed within 2.0 in. (50 mm) of moving parts or accelerator linkage unless routing is positively controlled.

(Section 6 – continued from previous page)

- Caution must be taken so that the accelerator pedal remains properly located. Guidelines for accelerator pedal locations are as follows:
 - Ensure that the accelerator can freely operate from idle to wide-open throttle position and return. Make sure that the pedal will not hang up on any nearby items such as carpets, floor, screws, wiring harnesses, etc. Engine cover should have at least one inch (25 mm) clearance to side of accelerator pedal with the carpet mat installed.
 - Accelerator to brake pedal relationship has been designed to provide minimum driver movement and should not be altered in any way.

Gasoline engine induction and/or ignition system is certified in compliance with the Federal Vehicle Emission Standards. Any alterations to the systems or components could void compliance and render the vehicle illegal. System includes:

- Fuel system – throttle body and port fuel injection (PFI) or sequential central port injector (SCPI) and associated tubes, hoses and pipes, air cleaner outside air hose, mass air flow sensor, fuel pump and inlet manifold, fuel vapor canister.
- Exhaust system.
- Ignition system distributor and initial spark timing setting, spark plugs, spark plug wires.
- Crankcase ventilation system.

Section 7 – Transmission

Light duty models equipped with manual transmission have a clutch-operated start safety switch. Starter should operate whenever the ignition is turned to start and the clutch is fully depressed. Readjust if necessary as outlined in the Truck Service Manual.

Models equipped with automatic transmissions have a steering column mounted neutral/park start safety mechanical lockout feature, which interfaces with the steering column ignition switch. Starter should operate only when gear shift lever is in neutral or park position. Readjust the shift linkage or neutral start backup switch if necessary as outlined in the Truck Service Manual.

Models equipped with manual transmission use a hydraulic clutch actuator. Check fluid level as outlined in the vehicle owner's manual.

It is mandatory that no change be made to the clutch master cylinder location, clutch master or slave cylinder push rod length, or pedal position.

Section 8 – Fuel and Exhaust

Fuel Systems

Due to the critical nature of sealing the fuel system, anyone making modifications or alterations to the existing system must assume complete responsibility for the system reliability, performance and compliance to FMVSS 301.

The fuel evaporative emission control equipment is certified to be in compliance with the Federal and California Vehicle Emission Standards. Any alterations to systems or components and their location could void compliance. System includes:

- Fuel tank, metering unit, lines including purge control solenoids and canister or canisters.

For these reasons, **NO ALTERATION OF THE FUEL SYSTEM IS RECOMMENDED.**

Fuel Lines

Fuel line routing precautions:

- 12 in. minimum clearance to exhaust system is required or a metal shield must be provided.
- Fuel lines should be clipped to chassis to prevent chafing. Metal clips must have rubber or plastic liners.
- Use corrosion resistant steel tubing with short sections of approved hose to connect components. Hose-to-tube connections should be clamped for diesel systems. Steel tube ends should be beaded for hose retention. Fuel supply is pressurized by an in-tank pump for PFI and SCPI systems. Coupled hose or nylon quick-connects must be used. Clamped hose is not acceptable for PFI and SCPI systems.

All engines require a fuel return system which returns excess fuel from the injection pump and injector nozzles back to fuel tanks. Care should be taken that these lines are not blocked nor their hoses pinched. The engine may run poorly or stall if these lines are restricted or blocked.

All gasoline engine vehicles are equipped with fuel evaporative emission control equipment which is certified to be in compliance with the Federal or applicable California vehicle emission standards. Alterations to fuel tank and metering unit, lines, canister or canisters, canister filters, canister purge control valves, relay switches, tank auxiliary vent valve, engine speed controller, or other devices/systems are therefore not allowable since vehicle adherence to C.A.R.B. and Federal regulations may be affected.

Diesel powered vehicles incorporate water drain provisions in the fuel system. These valves are only to be opened when siphoning water and contaminants from the fuel system.

(Section 8 – continued from previous page)

Fuel Tank

For vehicles with full frames, the tank must have a minimum clearance of 2 in. top, front, rear and sides to body and other supports.

Tank may be pressurized to 1.25 PSI maximum to check for final line leakage or for forcing fuel through the system. Pressures greater than this amount may be detrimental and affect tank durability.

The use of auxiliary fuel tanks is not recommended. If an auxiliary fuel tank is added, the alterer must take responsibility for compliance with affected motor vehicle safety standards. Also, if an auxiliary fuel tank is added to a gasoline-powered vehicle, the fuel must be drawn through a pipe at the top of the tank (balance line between tanks is not permitted).

Gasoline fueled vehicles are now equipped with a fuel pump return line. If an auxiliary tank is added, the tank selector valve must include a return port which returns fuel to the tank from which the fuel is being drawn.

In gasoline engines the fuel pump is located in the fuel tank. The battery must be disconnected before starting any work on the fuel system.

In the use of dual fuel systems, the vehicle operator should strictly adhere to the manufacturer's procedures for switching from gasoline to gaseous fuel operation. Improper switching procedures may result in overheating and damage to the exhaust system and the vehicle. The gaseous fuel tank should not be mounted in an enclosed area of the vehicle, such as the passenger compartment, trunk, etc., and the system should be vented to the outside of the vehicle. In addition, vehicles converted to gaseous fuels should not be stored in enclosed places such as garages. Further, General Motors cautions purchasers that the design, location and installation of any type of fuel storage system involves significant technical and engineering considerations and that these statements on gaseous fuel conversions should not be interpreted to be an approval by General Motors of any modification to the original equipment fuel system.

Conversions to gaseous fuel should be made in conformance with applicable Federal and State regulations. Removal of emission-control components, or the addition of gaseous fuel systems which could damage or reduce the longevity of those components and could also cause the mechanical and emission performance warranty to be voided.

Exhaust System

Particular care should be taken to prevent the possibility of exhaust fumes and carbon monoxide exposure to vehicle occupants in units completed by body builders. Holes and openings through the floor and all other parts of the body must be permanently and adequately sealed by the body builder to avoid exhaust intrusion into any occupant area. If it is necessary to change the exhaust outlet location, the exhaust discharge must be unobstructed and directed away from occupant areas. Alteration of the exhaust outlet or its position may increase exhaust noise and render the vehicle illegal in those areas with pass-by noise regulations. All vehicles > 10,000 lbs. GVWR come under Federal noise regulations, vehicles: ≤ 10,000 lbs. GVWR are regulated by various state and local regulations of the Environmental Protection Agency; see those regulations for rules, test procedure and noise levels permitted.

(Section 8 – continued from previous page)

Tail pipe outlet location must be tested statically and with the vehicle in motion to ensure that exhaust gases do not penetrate side or rear windows or underbody seams and holes. Auxiliary power plants should also be tested under the same conditions. Tail pipe exit ahead of rear wheels is not recommended.

Check for leaks in exhaust systems and repair as required.

Any exhaust joint which has been disassembled must have the exhaust gasket replaced and the fasteners torqued to specifications. Re-check exhaust system for leaks.

Exhaust temperatures can exceed 1600°F under extreme operating conditions, with pipe surface temperatures slightly less than this. Extreme care must be used when placing body components in the proximity of the exhaust system so as not to exceed the rated temperature limits of the components. Due to variants in underbody configurations of the vehicles, we are not in a position to make recommendations on how to insulate or design components in the proximity of the exhaust system.

Each manufacturer must make temperature checks of critical areas of his vehicle and adjust his design accordingly, or provide shielding to ensure safe operation of his body components.

The same can be said for the engine compartment. Obviously there will be additional heat radiated from the engine. How much is retained in the area will depend on how well this area is ventilated in your individual designs. Here again, temperature checks of interior areas surrounding the engine should be made to determine if your insulation is adequate. This is the same engineering practice we have followed on our complete vehicles incorporating these exhaust systems.

Exhaust system materials are selected and tested to withstand the operating environment of the vehicle. ***Do not modify the exhaust system in any way.*** The tail pipes are made of 409 aluminized stainless steel.

Heatshields are mounted to the underbody and/or exhaust system components (catalytic converter, muffler and tail pipe). Shields for the propshaft hanger bearings are also provided in some vehicles.

Section 9 – Steering

Check power steering fluid level and system operations. (Refer to Owner's Manual).

The power steering hydraulic system should not be used to drive any other accessories.

Steering wheel and horn pad must not be altered or replaced.

The steering column mast jacket must not be altered.

Section 10 – Tires

Check wheel lug nuts for proper torque; specifications are provided in the Owner's Manual.

Substitution of tires of greater capacity than those offered as original equipment by vehicle manufacturer is not approved for use on original equipment wheels. Any usage of higher capacity tires must be accompanied by higher capacity wheels. However, the wheel offset and distance from centerline of rim to wheel mounting face must be the same as the replaced original equipment wheel to ensure proper wheel bearing loading and clearance of tires to body and chassis components.

Increasing tire and wheel capacity does not necessarily increase vehicle GVW ratings. It is recommended that tire chain clearance guideline, J683, from the Society of Automotive Engineers be adhered to in designing rear wheelhouse clearance.

Check tires and inflate to recommended tire pressure according to the tire pressure information provided in Owner's Manual and tire inflation label provided with vehicle.

Any substitution of tires may affect Speedometer/Odometer accuracy.

Section 12 – Electrical Battery and Battery Cables

The vehicle battery should be located and positioned to make use of the existing battery cables. If the battery requires relocation and longer cables are required, a proportionately larger gauge wire must be used. If in relocating the battery the negative ground cable is attached to frame rail, a cable of similar gauge be provided between the frame rail and the engine. This is required due to the heavy electrical loads imposed by the starting circuit. To ensure proper operation of the battery cables the following chart on length, gauge and materials must be strictly adhered to:

Combined length of positive and negative	
Cable Gauge	Cable in Inches (Copper)
4	66
2	107
0	170

If the battery is remotely mounted (other than in the engine compartment) the 'sense' circuit in the generator regulator shall be used. The sense circuit consists of a 7.76 OHM 1/4 watt resistor connected in series between the 'S' terminal of the generator and the B+ terminal of the battery.

(Section 12 – continued from previous page)

Modifications/add-on wiring must be carefully reviewed to ensure compatibility with the base vehicle wiring by reviewing system schematics, wire routing paths, harness connections, etc. Due to the wide range of modifications that may be required for vocational needs, it is not feasible for the O.E.M. to take into account all potential revisions. For this reason, any person modifying existing vehicle wiring must assume responsibility that the revisions have not degraded the electrical system performance. Any add-on wiring must be properly fused and routed to prevent cut, pinch, and chafe problems, as well as avoid exposure to excessive heat. Care must be exercised that existing vehicle interfaces do not have their current load capabilities exceeded, and that the respective control devices are not overloaded. Added wire size should be at least as large as the wire to which it is attaching in order for fuse protection to be maintained.

A Packard electric wiring repair kit is available through Kent-Moore (GM P/N 12085264, Kent-Moore P/N J38125-4). This kit contains instructions, tools and components for making repairs to wiring harness components. This kit would also greatly assist in accomplishing necessary add-on wiring such as body marker lamps, so that system reliability/durability is maintained.

Electrical wiring components can be obtained through your authorized GM dealer. Many Packard Electric components are also available through Pioneer Standard Company (1 800-PACKARD). Pioneer may also be able to assist in making necessary wiring additions by providing custom wiring stubs or jumpers to your specifications.

Fusible Link Repair Procedure:

1. Cut damaged fusible link from wiring harness assembly splice.
2. Strip insulation from harness wire as required to splice on new fusible link.
3. Fabricate a new fusible link wire approximately 6 to 8 in. long from the same wire size as the original link. (Acceptable fusible link material will be imprinted with the wire size and the wording to identify it as fusible link. Fusible link cable is not the same as normal vehicle wiring.)
4. Terminate fusible link harness wire with a suitable compression splice clip, and solder with an electrical grade rosin core solder. Wrap splice area with tape to provide electrical insulation, as well as mechanical strain relief at the splice.
5. Strip, terminate, solder, and insulate remaining end of fusible link with appropriate termination to be compatible with the rest of the electrical system.
6. For further information, refer to the instruction manual in the wiring repair kit referenced elsewhere in this section.

Accessory Power Supply Feed:

For power requirements to service additional devices to be added by body builder/upfitter, the power supply source must be at the junction block on the front of dash above battery using the small on the left-hand side of junction block.

NOTE: A ground stud has also been provided above the junction block.

Section 13 – Cooling

To provide satisfactory engine cooling, the following conditions must be met:

1. Do not locate any large objects in front of the radiator core or grille such as batteries, spare tires, lights/sirens, etc. They restrict air flow into the radiator core and influence fan blade stress.
2. Grille opening, size configuration and the external baffles provided should not be altered in any manner. Any reduction in cooling ability may adversely affect engine/transmission performance.
3. Fan clutches not conforming to the original equipment specifications may not operate correctly and may stay “on” continuously, never come on, or cycle on and off excessively. This will result in a reduction of fuel economy, engine overheat at times, and annoying cycling respectively.
4. Continuous coolant flow is necessary from heater connection on engine-to-heater connection on radiator to control transmission oil temperatures during closed thermostat (warm-up) operation. Do not alter this flow as it may result in premature engine or transmission failure.
5. If a heater unit is not installed in the vehicle or a heater shut-off-valve is required, a line connecting the heater connection on the engine to the heater connection on the radiator must be installed. When a shut-off valve is required in heating system, it must be teed into the system in such a manner as to maintain continuous flow between engine heater connection-radiator heater connection at all times.
6. Use GM 6277M Long Life Coolant only.

Do not install any internal flow restrictors.

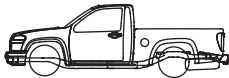
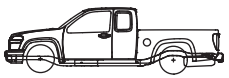
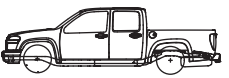
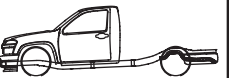
- Heater hose: 3-way or 4-way valves must be used to provide constant water flow through the intake manifold pad area.
- If in-line shut-off valve is used in combination with 3-way valves, shut-off valve must not be closed until 3-way valve at engine is in the proper position.

Valve Sources		
3	Red-White Valve Corp., Carson, CA	(213) 549-1010
	Ranco Controls Div., Delaware, OH	(614) 876-8022
4	Ranco Controls Div., Delaware, OH	(614) 876-8022

Be sure to add coolant to system after adding capacity to system (heaters).

COLORADO/CANYON S/T P.U. AND CHASSIS-CAB

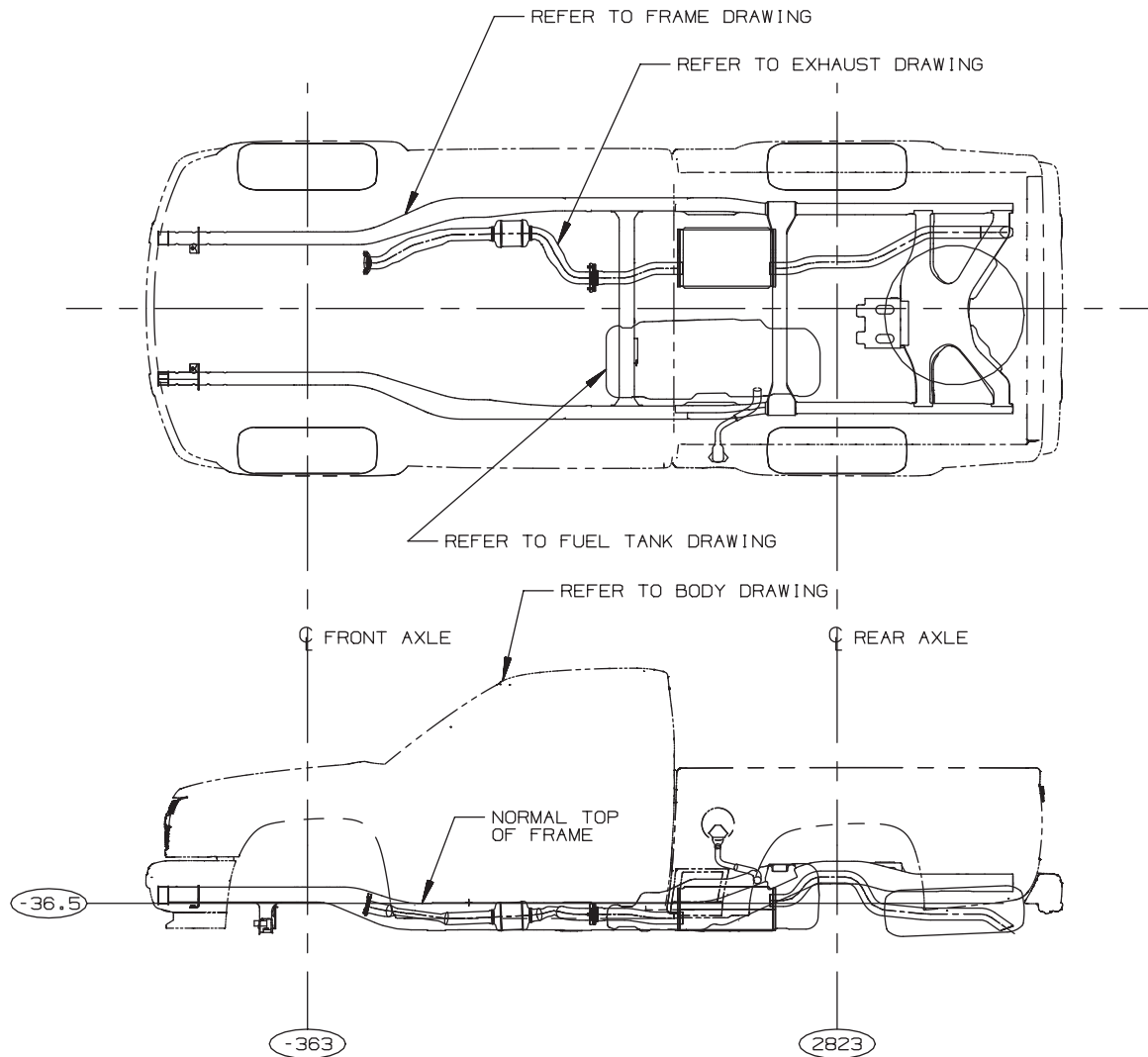
Model Symbol Chart

					TRUCK (Optional)		
ENGINEERING MODEL	MODEL / MERCHANDISING DESCRIPTION	MODEL / MERCHANDISING DESCRIPTION	MODEL / MERCHANDISING DESCRIPTION	MODEL / MERCHANDISING DESCRIPTION	GVWR (kg/lbs)	WHEELBASE (mm/in)	CAB-TO-AXLE (mm/in)
S154	03 Regular Cab				4,400 C3A & ZQ8 4,850 C6I & Z85 5,150 C6F & Z71	2825 / 111	34.15"
S156		53 Extended Cab	43 Crew Cab		4,600 C5D & ZQ8 (053) 4,900 C4W & ZQ8 (043) 5,000 C5C & Z85 5,300 C3H & Z71	3199 / 126	53 – 34.24" 43 – 22.54"
T154	03 Regular Cab				5,150 C6F & Z85/Z71	2825 / 111	34.15"
T156		53 Extended Cab	43 Crew Cab		5,300 C3H & Z85/Z71	3199 / 126	53 – 34.24" 43 – 22.54"
S156 / T156				03 Chassis Cab	5,300 C3H	3199 / 126	03 – 48.97"

Z85 – Base; ZQ8 – Chassis Pkg. "Sport"; Z71 – Chassis Pkg. "Off Road"

COLORADO/CANYON S/T P.U. AND CHASSIS-CAB

S/T15403



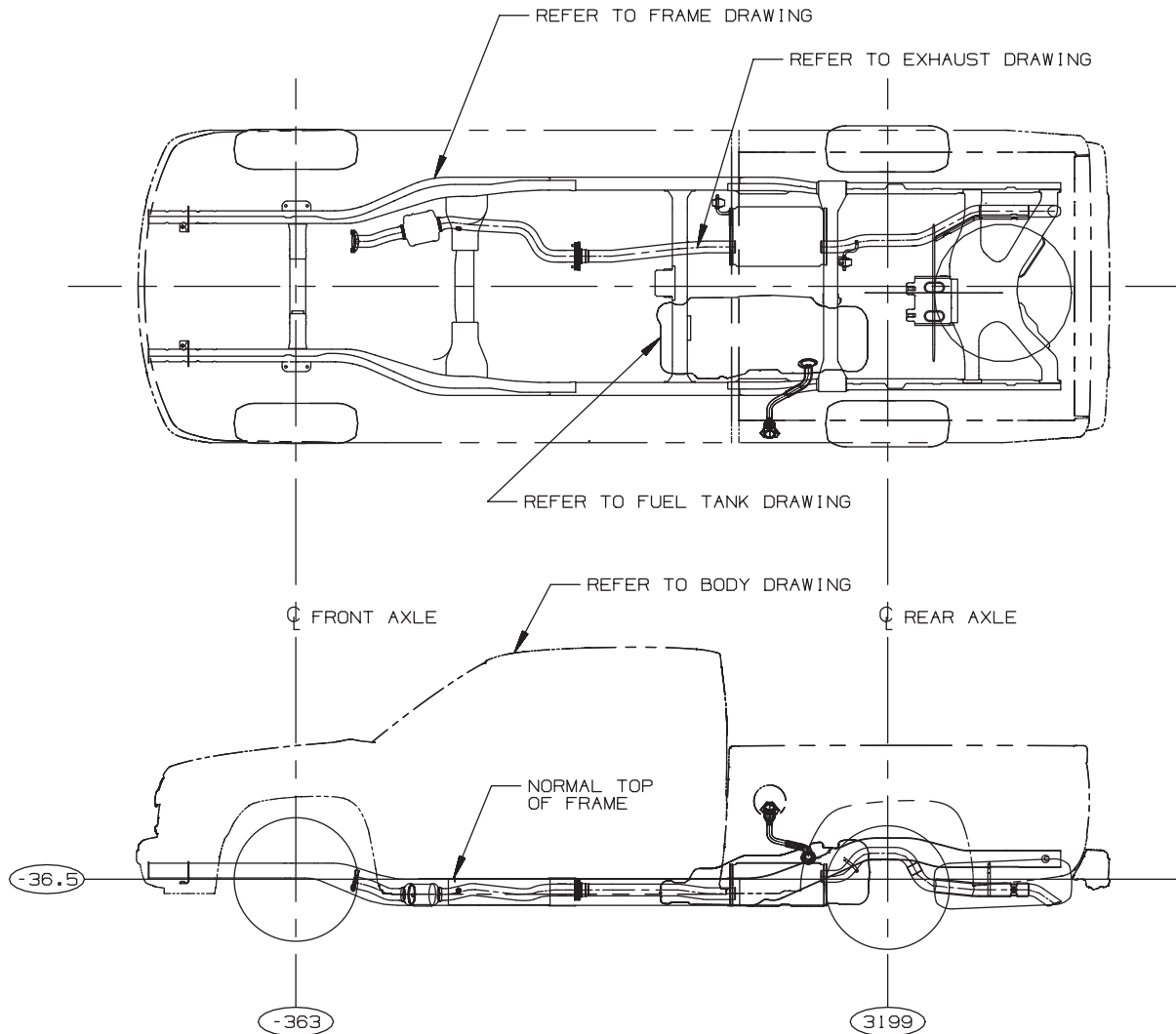
FOR: S/T 154 03 REGULAR CAB GENERAL ARRANGEMENT

[] = INCHES

TD006074A

COLORADO/CANYON S/T P.U. AND CHASSIS-CAB

S/T15653



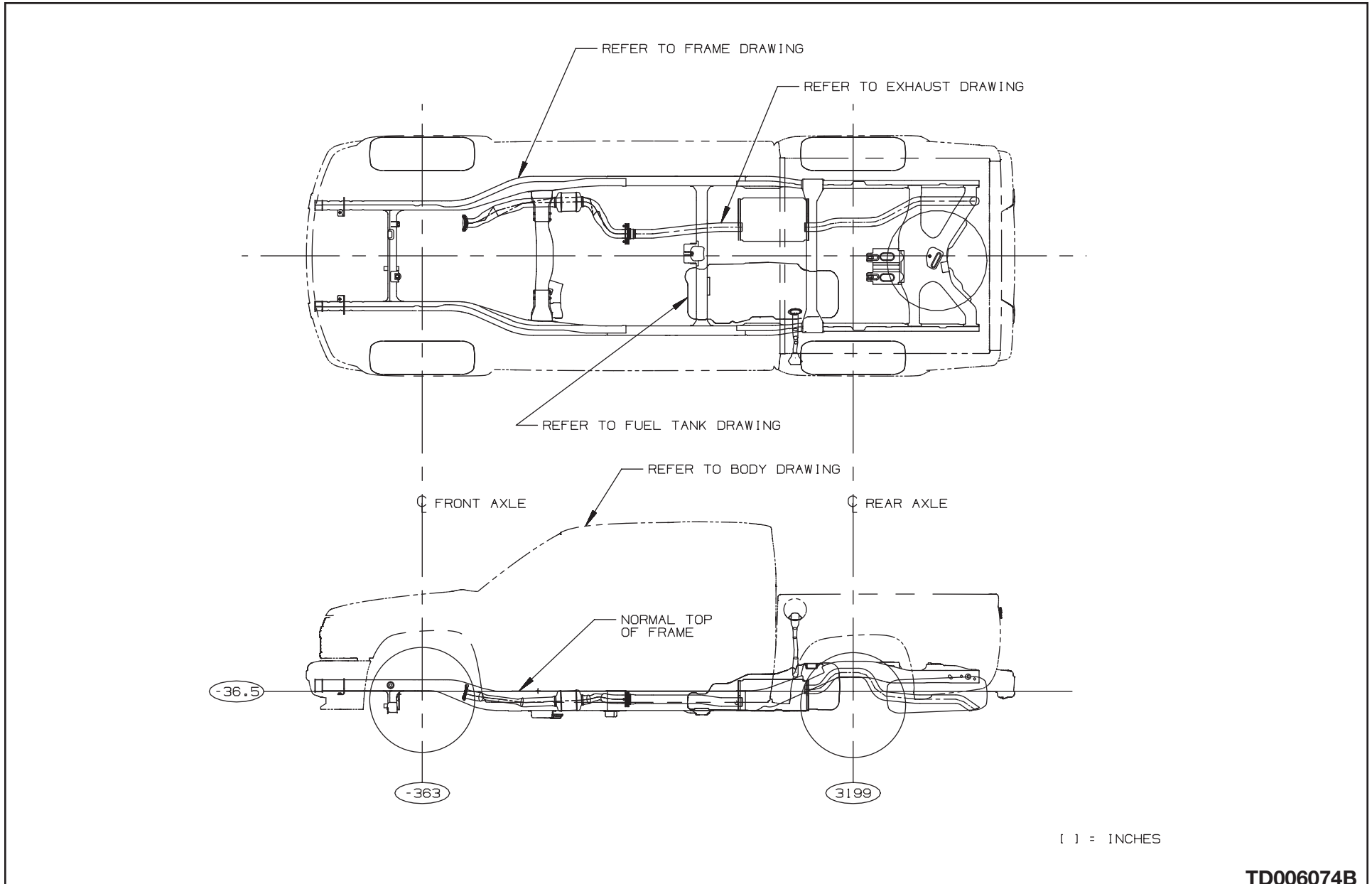
FOR: S/T 156 53 EXTENDED CAB GENERAL ARRANGEMENT

[] = INCHES

TD006074C

COLORADO/CANYON S/T P.U. AND CHASSIS-CAB

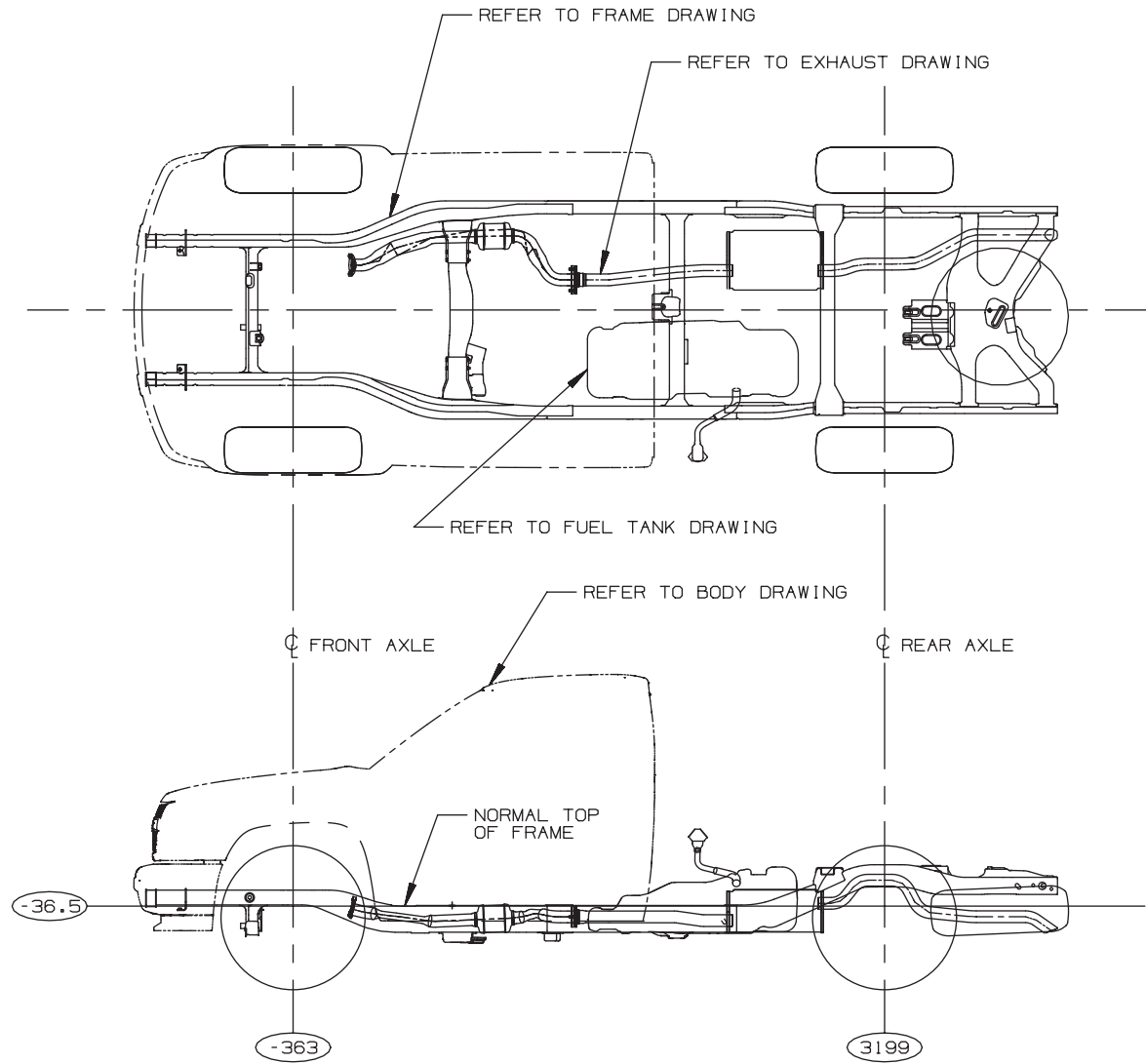
S/T15643



TD006074B

COLORADO/CANYON S/T P.U. AND CHASSIS-CAB

S/T15603



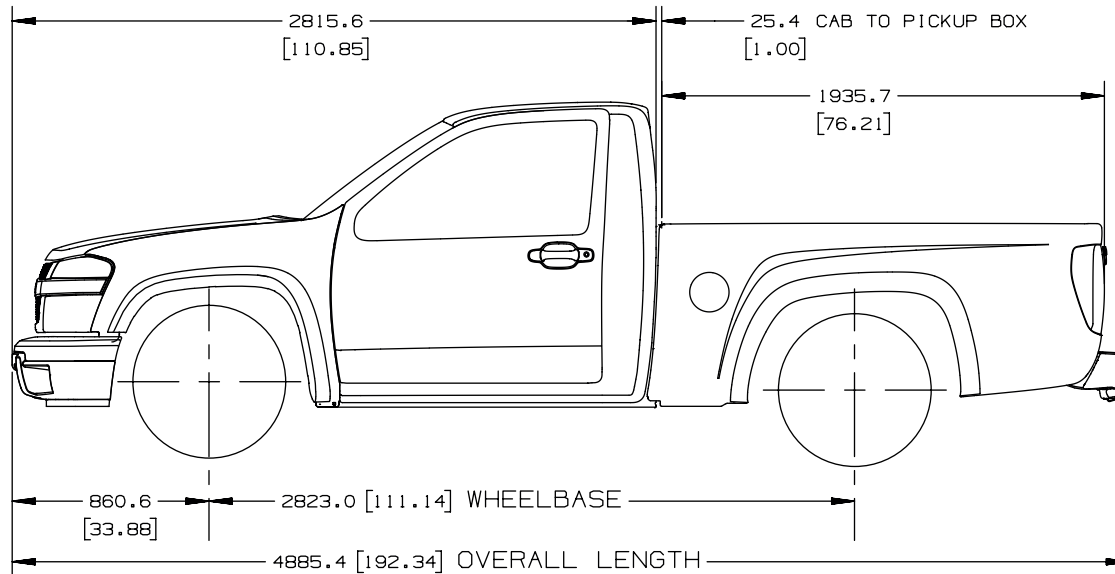
FOR: S/T 156 03 CHASSIS CAB GENERAL ARRANGEMENT

[] = INCHES

TD006074D

COLORADO/CANYON S/T P.U. AND CHASSIS-CAB

Regular Cab Pickup – S/T15403



MODEL	WHEELBASE	CARGO WEIGHT DISTRIBUTION	
		% FRONT AXLE	% REAR AXLE
S15403	2823.0 [111.14]	-4	104
T15403	2823.0 [111.14]	-4	104

NOTE: BODY LENGTH IS IN INCHES FOR EQUATION:

CA = CAB TO REAR AXLE DIMENSION
BC = BODY CLEARANCE BETWEEN BODY AND CAB
B = BODY LENGTH
WB = WHEEL BASE

$$100 \times \frac{\text{CENTER OF GRAVITY OF PAYLOAD TO REAR AXLE DIMENSION}}{\text{WHEEL BASE}} = \% \text{ BODY AND PAYLOAD AT FRONT AXLE}$$

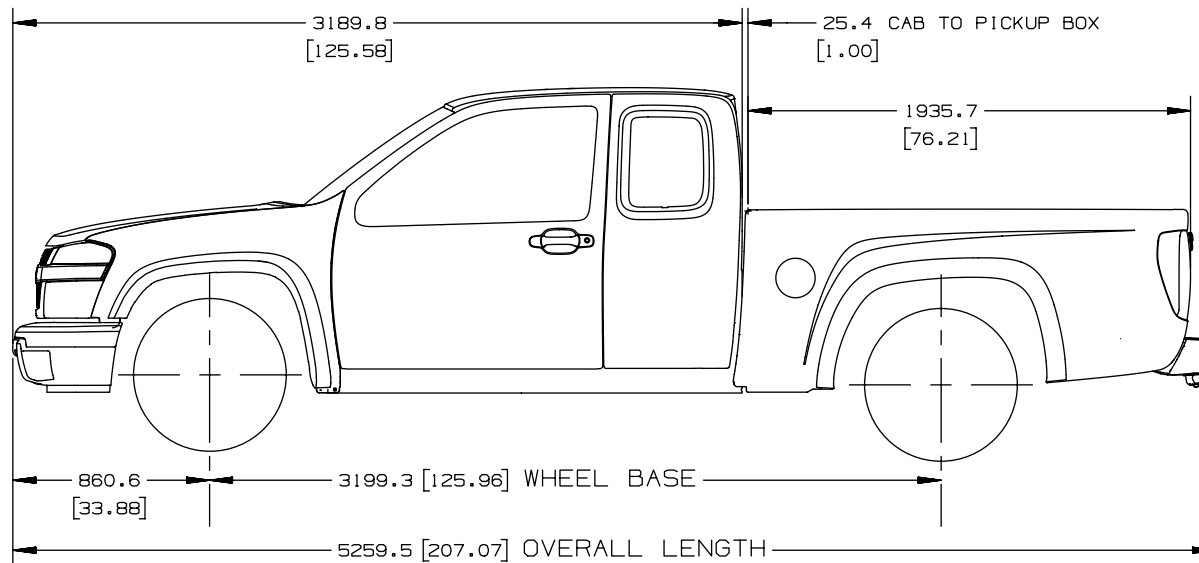
$$100 \times \frac{\text{CA} - [(\text{BC}) + \text{B}/2]}{\text{WHEEL BASE}} = \% \text{ BODY PAYLOAD AT FRONT AXLE}$$

GMT355 S/T154 03,2004 PAYLOAD DISTRIBUTION

[] = INCHES

COLORADO/CANYON S/T P.U. AND CHASSIS-CAB

Extended Cab Pickup – S/T15653



MODEL	WHEELBASE	CARGO WEIGHT DISTRIBUTION	
		% FRONT AXLE	% REAR AXLE
S15653	3199.3 (125.96)	-4	104
T15653	3199.3 (125.96)	-4	104

NOTE: BODY LENGTH IS IN INCHES FOR EQUATION:

CA = CAB TO REAR AXLE DIMENSION
 BC = BODY CLEARANCE BETWEEN BODY AND CAB
 B = BODY LENGTH
 WB = WHEEL BASE

$$100 \times \frac{(\text{CENTER OF GRAVITY OF PAYLOAD TO REAR AXLE DIMENSION})}{\text{WHEELBASE}} = \% \text{ BODY AND PAYLOAD AT FRONT AXLE}$$

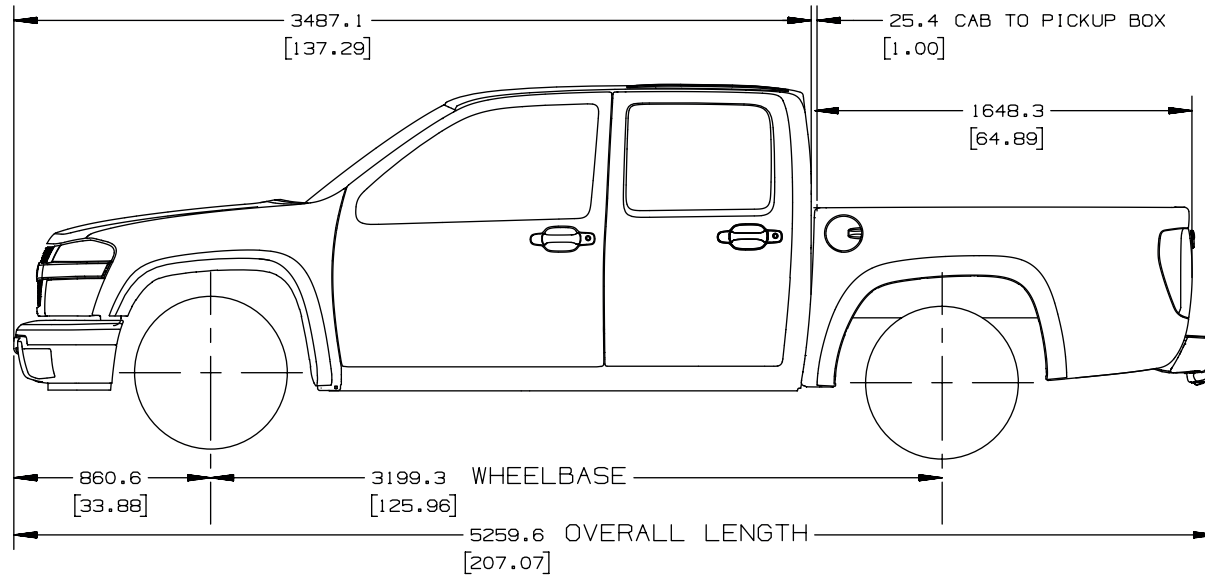
$$100 \times \frac{\text{CA} - [(\text{BC}) + \text{B}/2]}{\text{WHEELBASE}} = \% \text{ BODY PAYLOAD AT FRONT AXLE}$$

GMT355 S/T156 53,2004 PAYLOAD DISTRIBUTION

[] = INCHES

COLORADO/CANYON S/T P.U. AND CHASSIS-CAB

Crew Cab Pickup – S/T15643



MODEL	WHEELBASE	CARGO WEIGHT DISTRIBUTION	
		% FRONT AXLE	% REAR AXLE
S15643	3199.3 [125.96]	-9	109
T15643	3199.3 [125.96]	-9	109

NOTE: BODY LENGTH IS IN INCHES FOR EQUATION:

CA = CAB TO REAR AXLE DIMENSION
 BC = BODY CLEARANCE BETWEEN BODY AND CAB
 B = BODY LENGTH
 WB = WHEEL BASE

$$100 \times \frac{\text{CENTER OF GRAVITY OF PAYLOAD TO REAR AXLE DIMENSION}}{\text{WHEELBASE}} = \% \text{ BODY AND PAYLOAD AT FRONT AXLE}$$

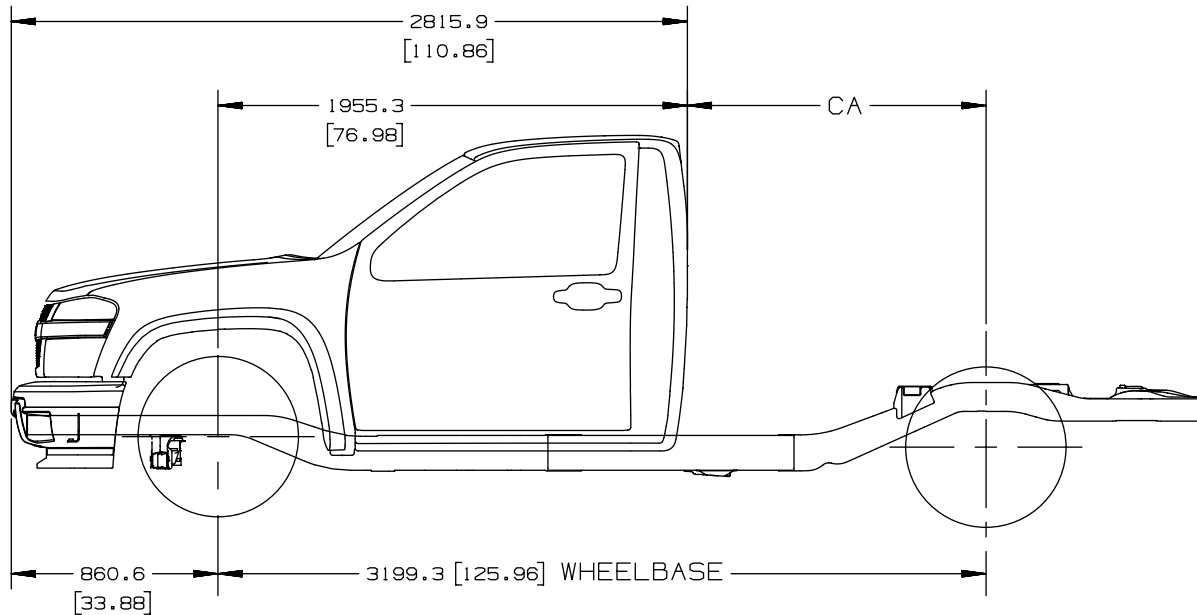
$$100 \times \frac{\text{CA} - [(\text{BC}) + \text{B}/2]}{\text{WHEELBASE}} = \% \text{ BODY PAYLOAD AT FRONT AXLE}$$

GMT355 S/T156 43,2004 PAYLOAD DISTRIBUTION

[] = INCHES

COLORADO/CANYON S/T P.U. AND CHASSIS-CAB

Regular Chassis-Cab – S/T15603



BODY PAYLOAD DISTRIBUTION
REGULAR CAB % FRONT/REAR AXLE

MODEL	WHEELBASE	CA	BODY LENGTH- FEET	
			6	7
S15603	3199.3 [125.96]	1244.0 [48.98]	8/92	3/97
T15603	3199.3 [125.96]	1244.0 [48.98]	8/92	3/97

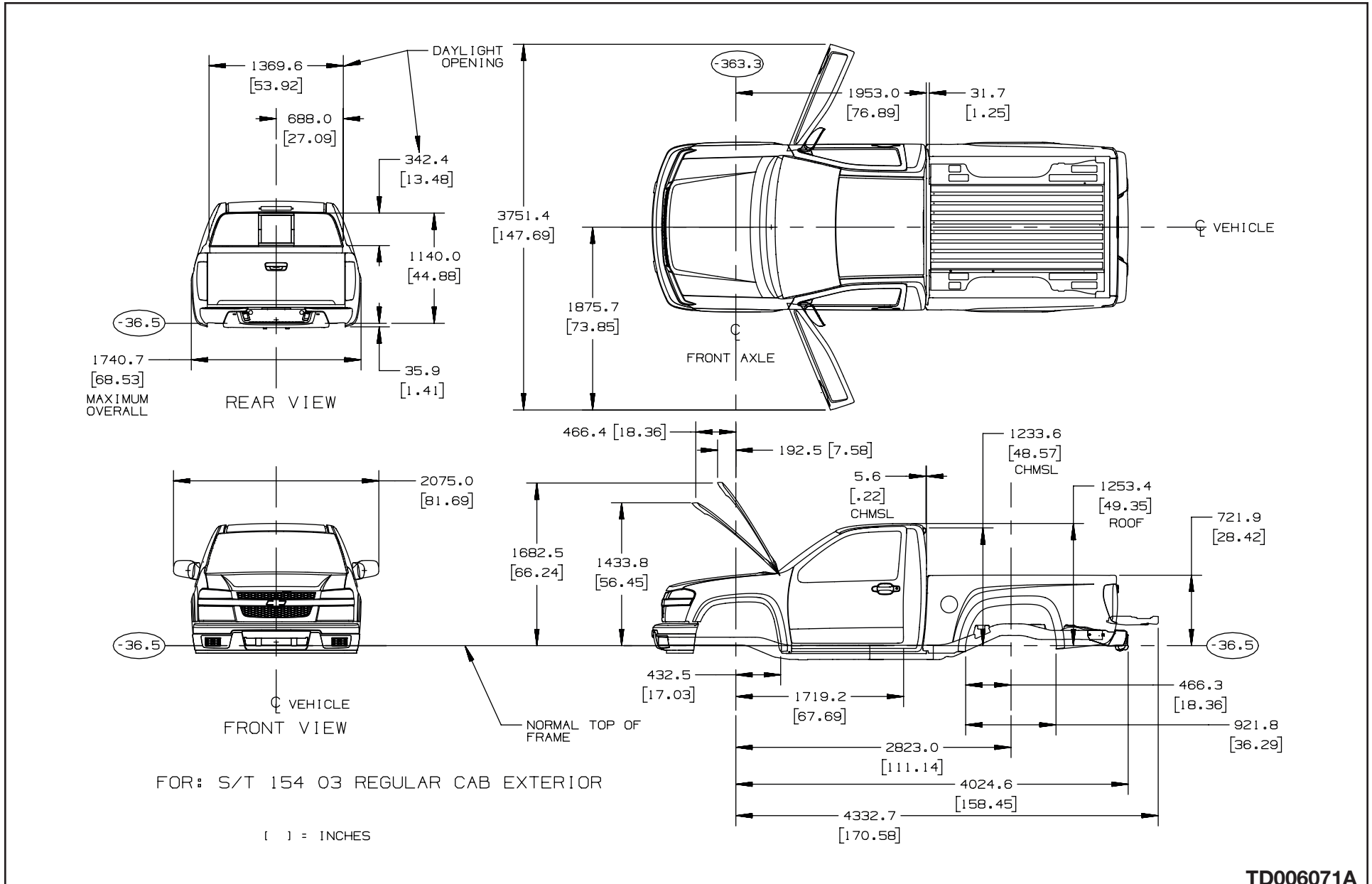
DIMENSIONS ARE SHOWN NOMINAL
ESTIMATES BASED ON EVEN DISTRIBUTION OF WEIGHT
PERCENTAGES ALLOW FOR { 3.00 } CB (CAB/BODY CLEARANCE)

$$\frac{CA - CB - (1/2 \times \text{BODY LENGTH})}{\text{WHEELBASE}} = \% \text{ BODY AND PAYLOAD WEIGHT AT FRONT AXLE}$$

{ } = INCHES

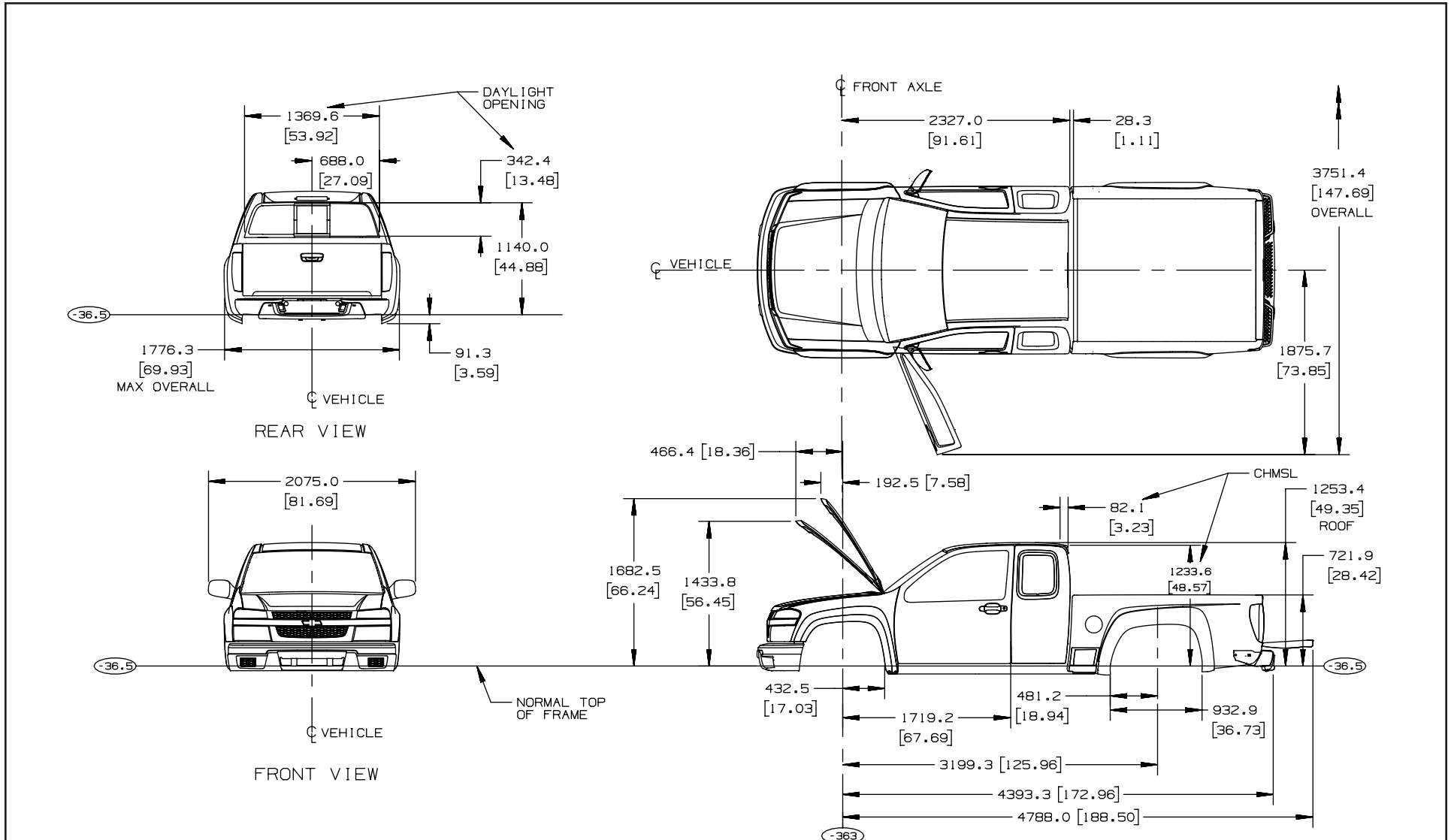
COLORADO/CANYON S/T P.U. AND CHASSIS-CAB

Pickup: General Arrangement – S/T15403



COLORADO/CANYON S/T P.U. AND CHASSIS-CAB

Pickup: General Arrangement - T15653

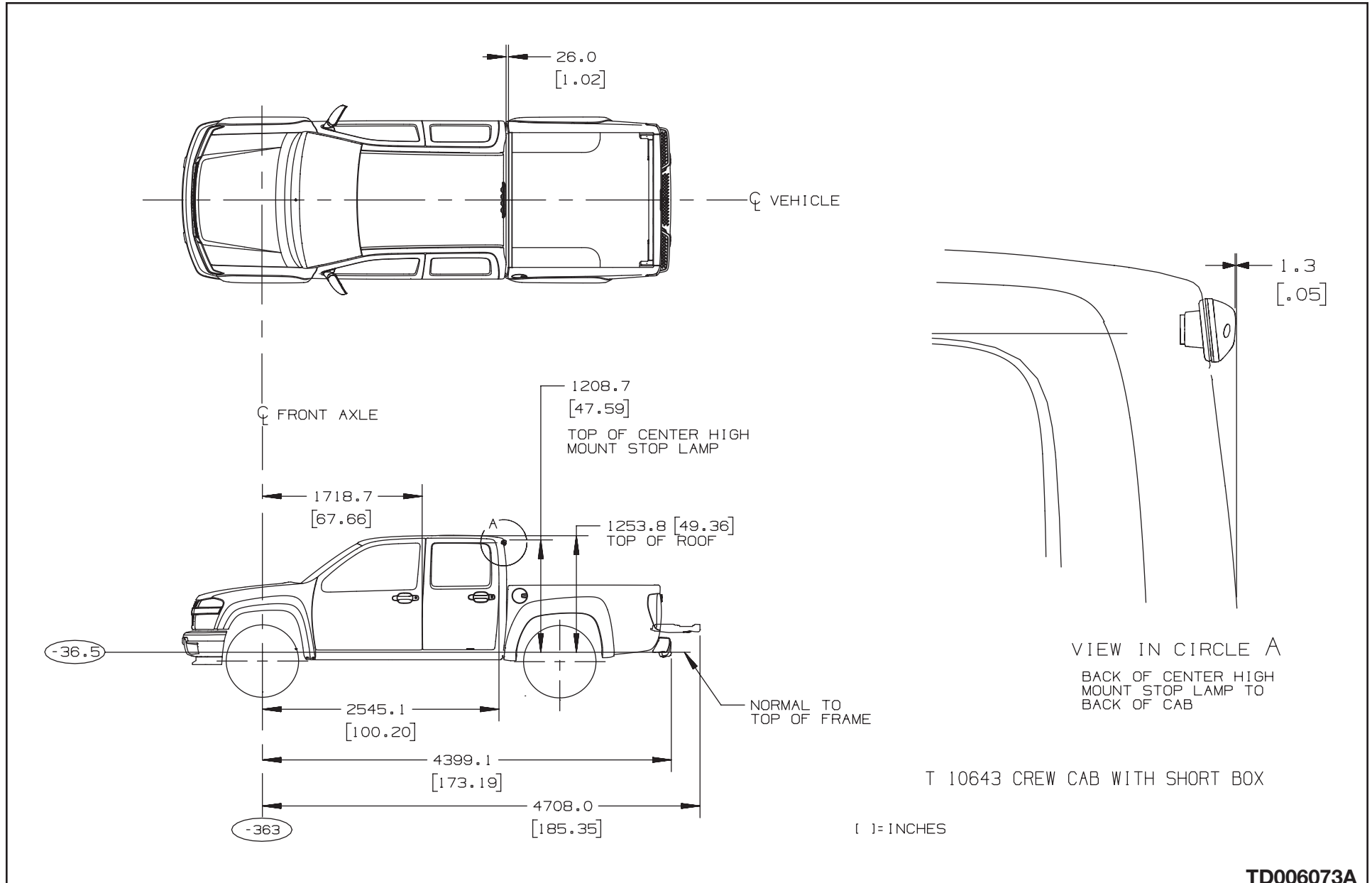


FOR: T156 53 TRUCK, EXT.CAB, LONG BOX

() = INCHES

COLORADO/CANYON S/T P.U. AND CHASSIS-CAB

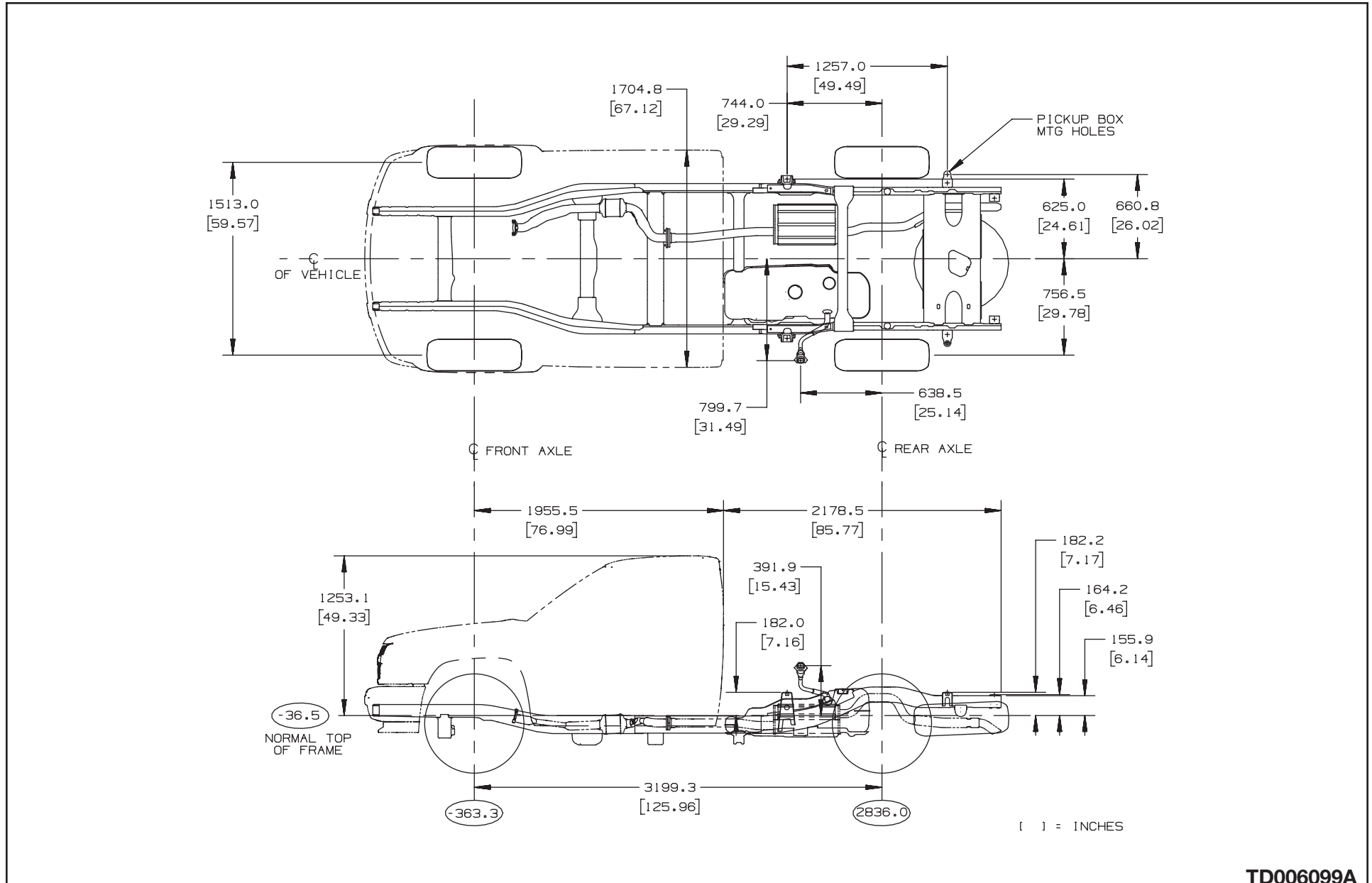
Pickup: General Arrangement – S/T15643



TD006073A

COLORADO/CANYON S/T P.U. AND CHASSIS-CAB

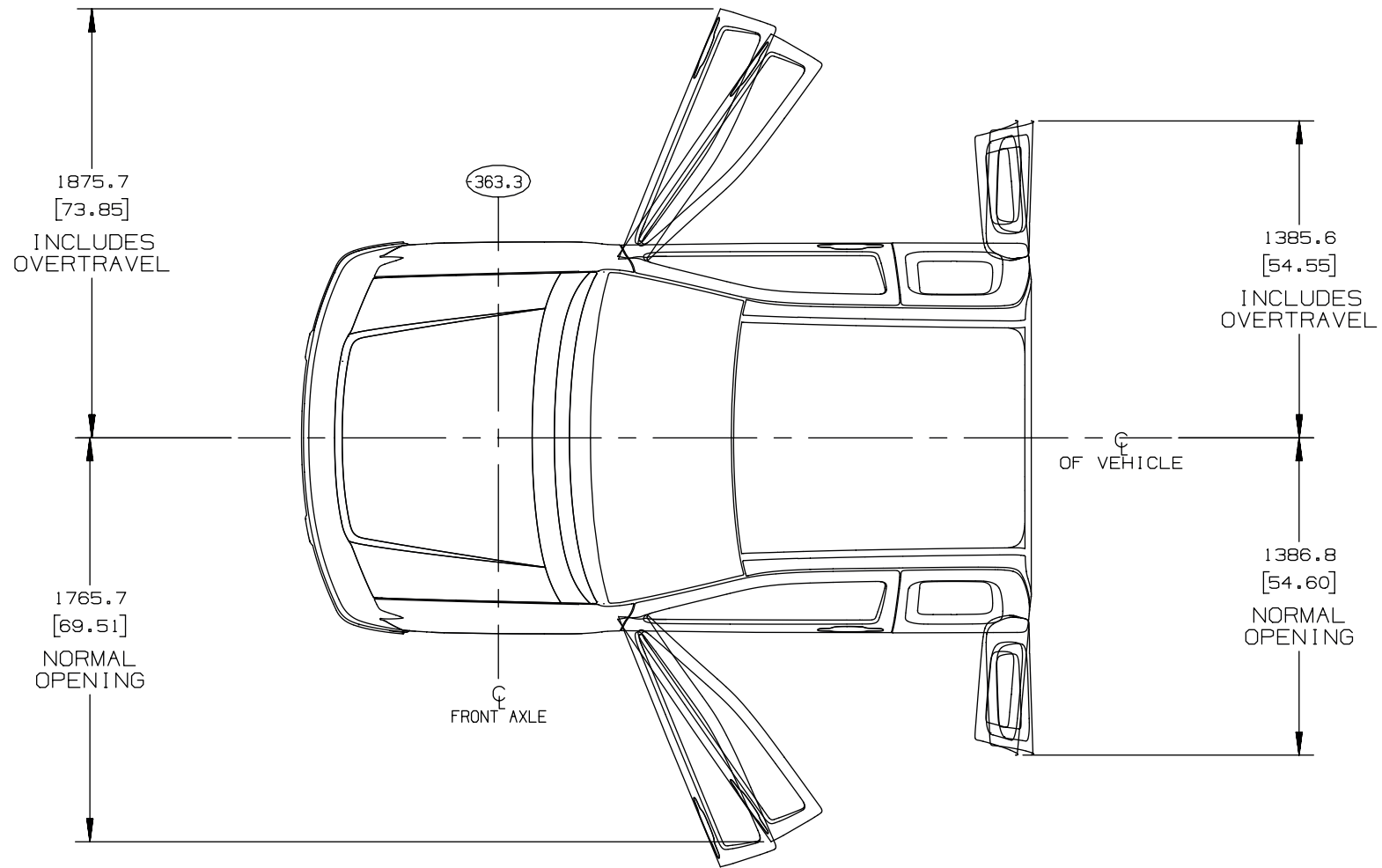
Chassis-Cab: General Arrangement - S/T15603



TD006099A

COLORADO/CANYON S/T P.U. AND CHASSIS-CAB

Door Swings – Extended Cab (53)

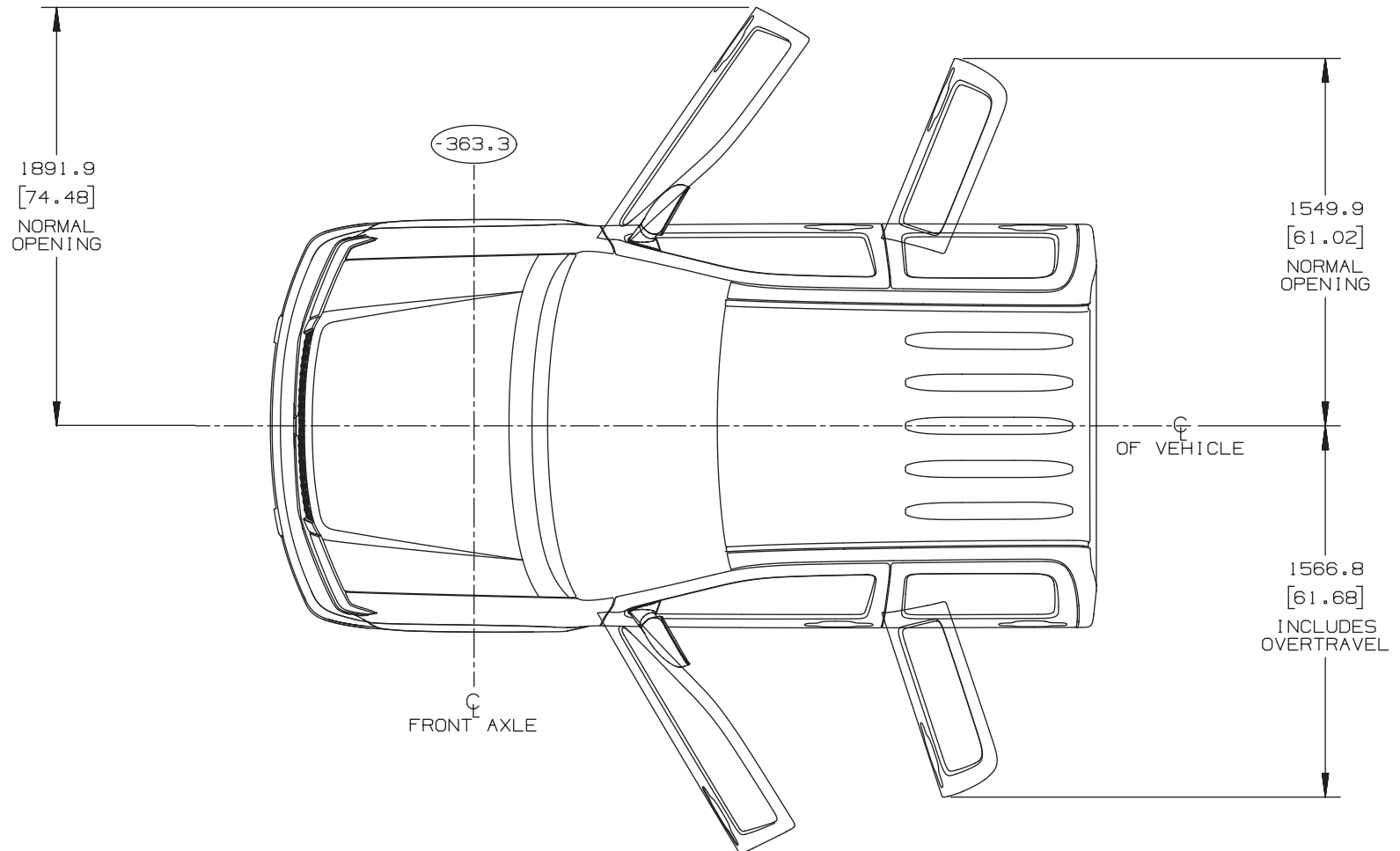


FOR: S/T 156 53 DOOR SWINGS

1" = 1 INCHES

COLORADO/CANYON S/T P.U. AND CHASSIS-CAB

Door Swings – Crew Cab (43)

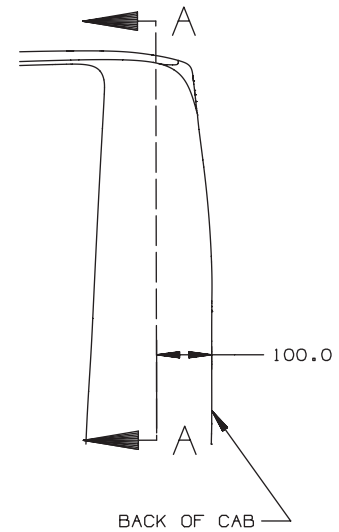
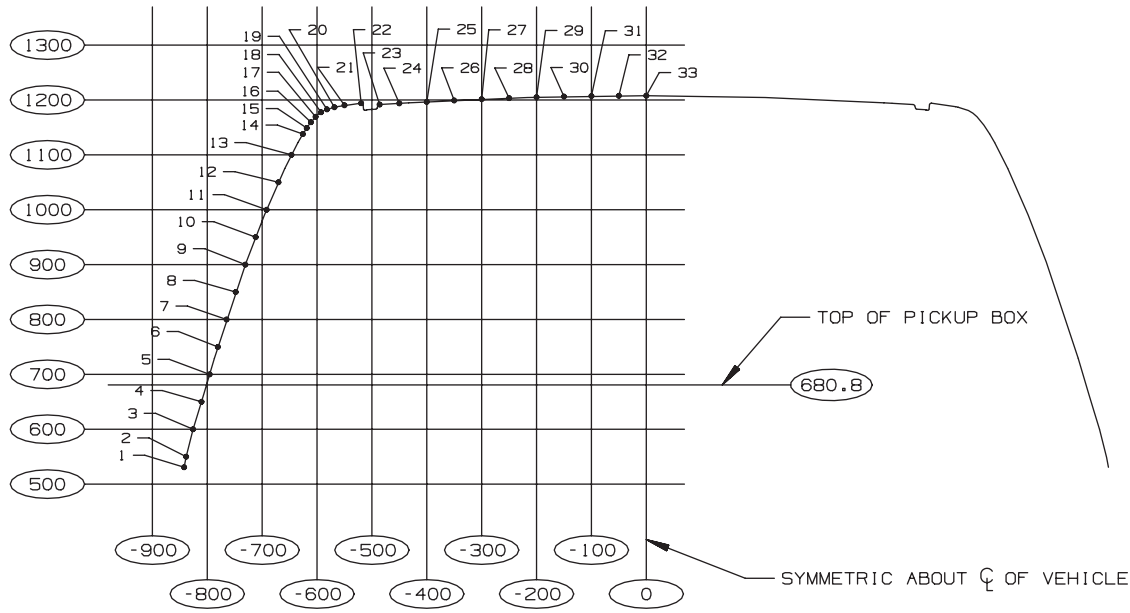


[] = INCHES

FOR: S/T 156 43 DOOR SWINGS

TD006082A

Cab, Rear Profile – Regular (03)



SECTION A - A

SIDE VIEW

PT#	WIDTH	HEIGHT
1	-842.1	530.8
2	-838.5	550.0
3	-825.8	600.0
4	-810.5	650.0
5	-795.7	700.0
6	-780.7	750.0
7	-764.9	800.0
8	-748.2	850.0
9	-730.6	900.0
10	-711.8	950.0
11	-691.9	1000.0

DRIVER SIDE COORDINATES

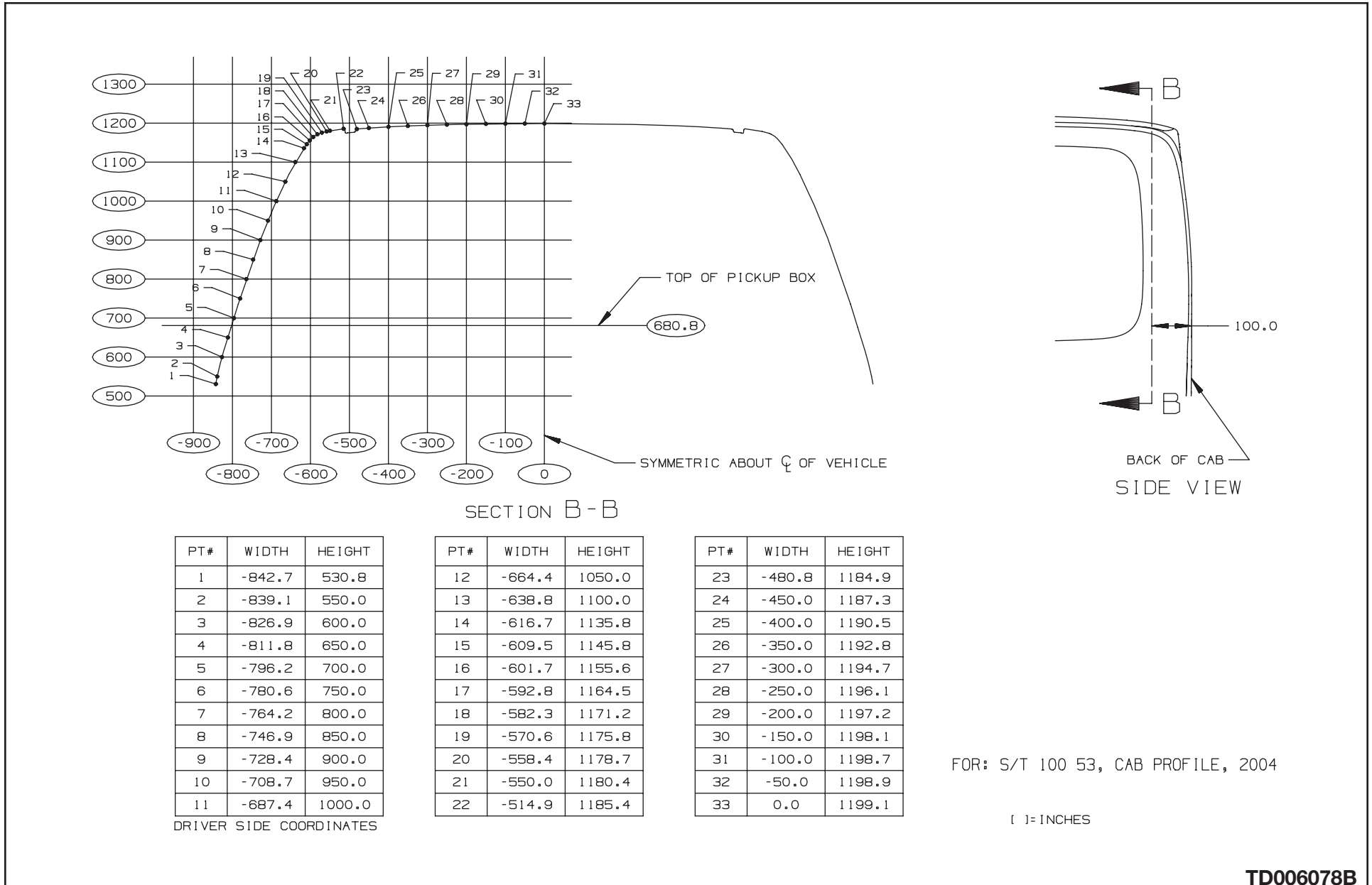
PT#	WIDTH	HEIGHT
12	-670.3	1050.0
13	-646.6	1100.0
14	-625.8	1137.9
15	-618.8	1148.9
16	-611.2	1159.5
17	-602.7	1169.4
18	-592.6	1177.7
19	-580.9	1183.3
20	-568.3	1186.7
21	-550.0	1190.3
22	-519.6	1194.2

PT#	WIDTH	HEIGHT
23	-486.0	1191.7
24	-450.0	1193.8
25	-400.0	1196.6
26	-350.0	1199.1
27	-300.0	1201.4
28	-250.0	1203.4
29	-200.0	1204.9
30	-150.0	1206.2
31	-100.0	1207.1
32	-50.0	1207.6
33	0.0	1207.8

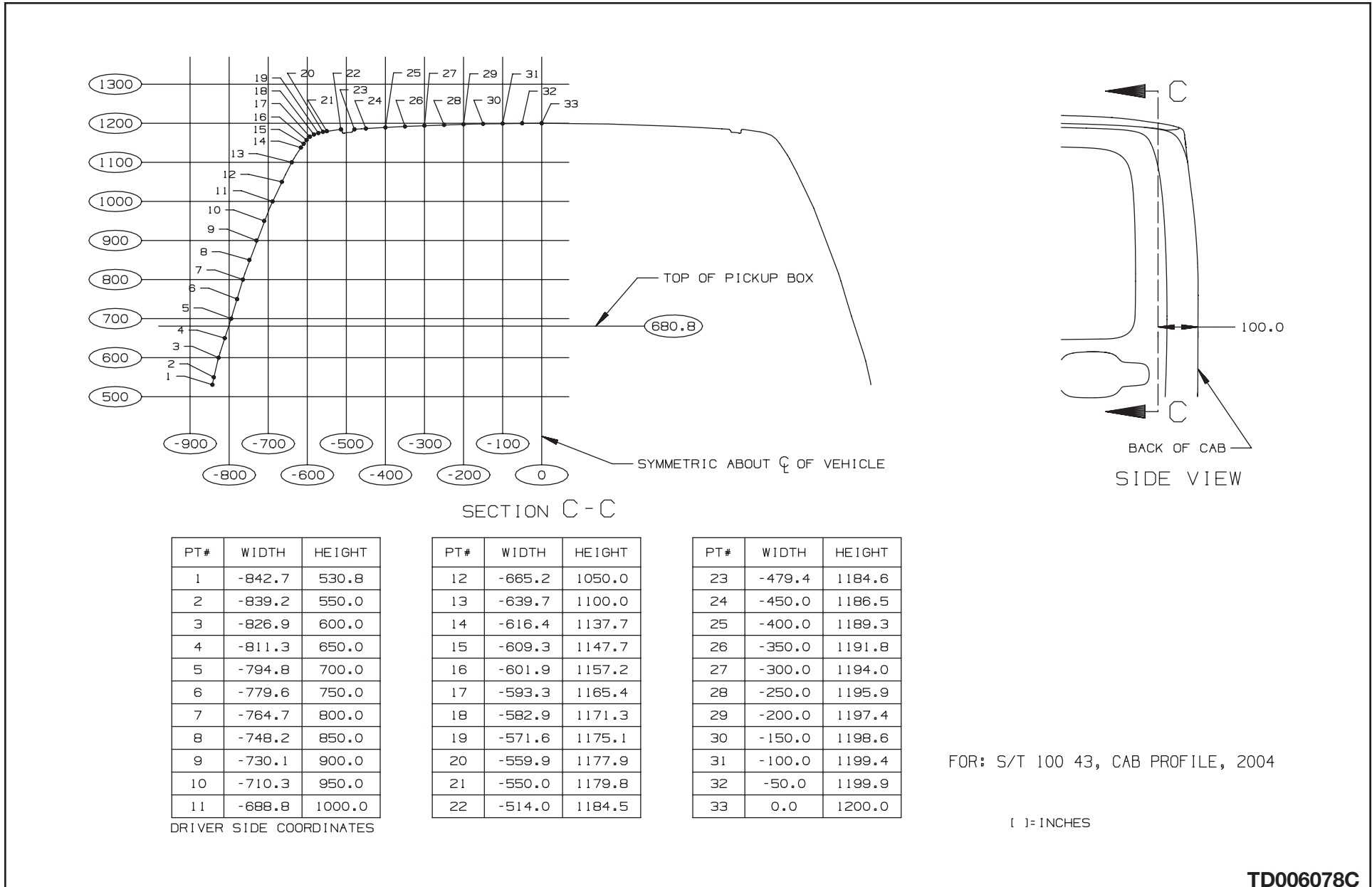
FOR: S/T 100 03, CAB PROFILE, 2004

()=INCHES

Cab, Rear Profile - Extended (53)

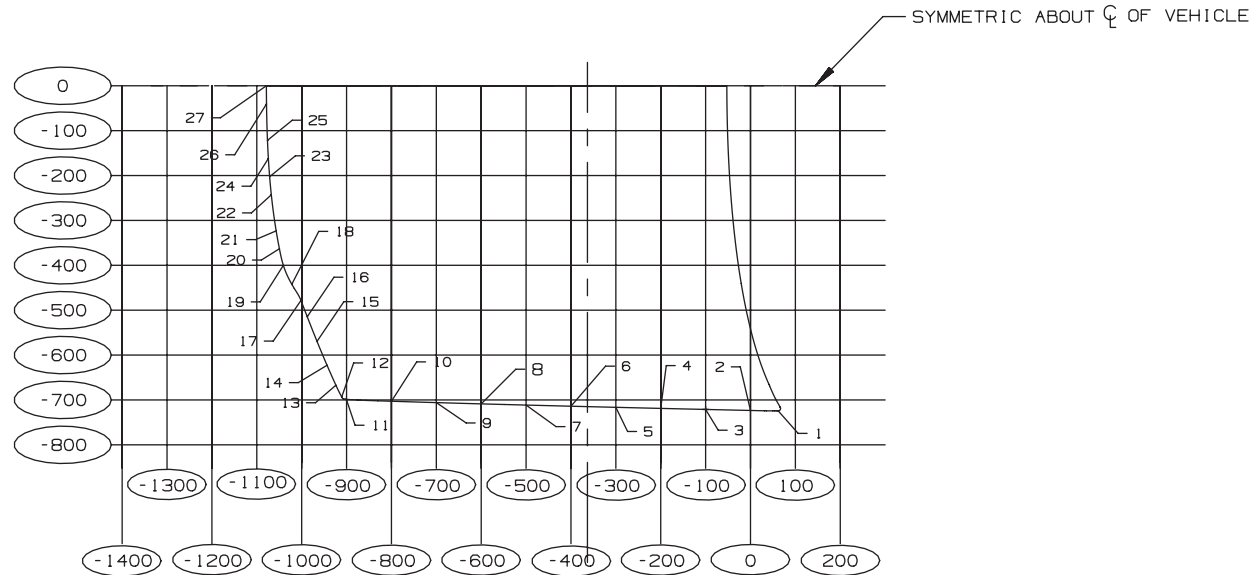


Cab, Rear Profile - Crew (43)



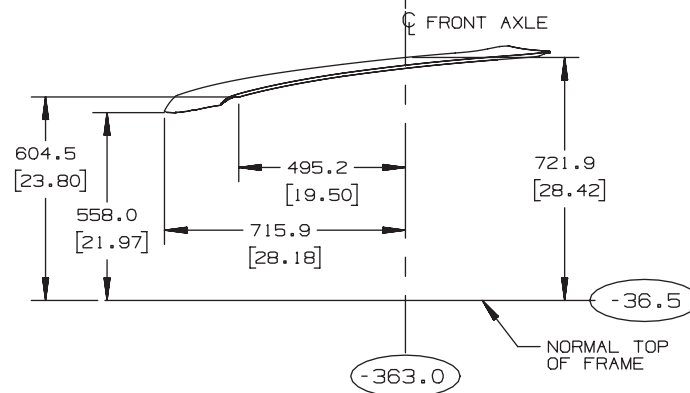
TD006078C

Hood Profile



PT #	LENGTH	WIDTH
1	61.7	-724.3
2	0	-723.4
3	-100.0	-721.2
4	-200.0	-718.8
5	-300.0	-716.4
6	-400.0	-714.0
7	-500.0	-711.4
8	-600.0	-708.8
9	-700.0	-705.9
10	-800.0	-702.9
11	-900.0	-698.8
12	-910.8	-693.3
13	-923.7	-667.2
14	-943.5	-622.7
15	-966.1	-568.8
16	-987.6	-514.6
17	-1001.6	-478.3
18	-1021.5	-443.0
19	-1040.8	-400.1
20	-1049.6	-363.1
21	-1056.9	-323.3
22	-1067.7	-242.9
23	-1071.4	-202.6
24	-1074.2	-162.1
25	-1076.2	-121.6
26	-1078.3	-40.5
27	-1078.7	0.0

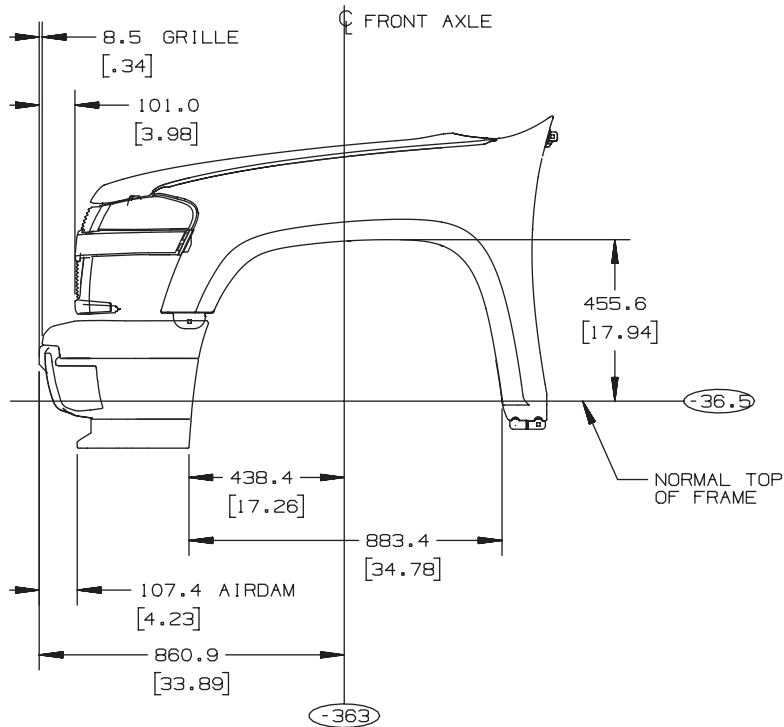
DRIVER SIDE COORDINATES



HOOD PROFILE GMT355, GMC & CHEVY, 2004

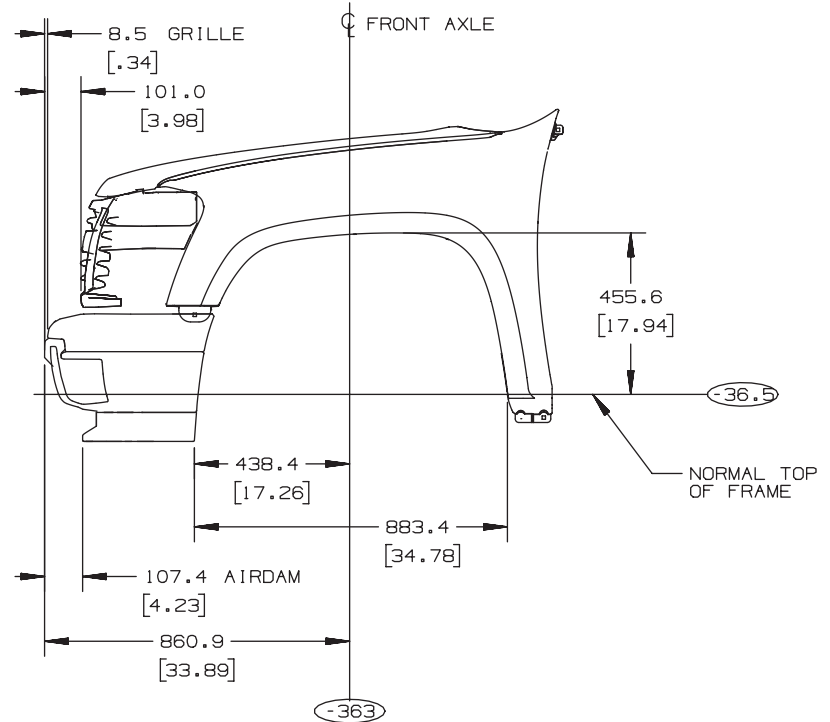
[] = INCHES

Front End Sheet Metal



CHEVY (BASE) S/T 154/156

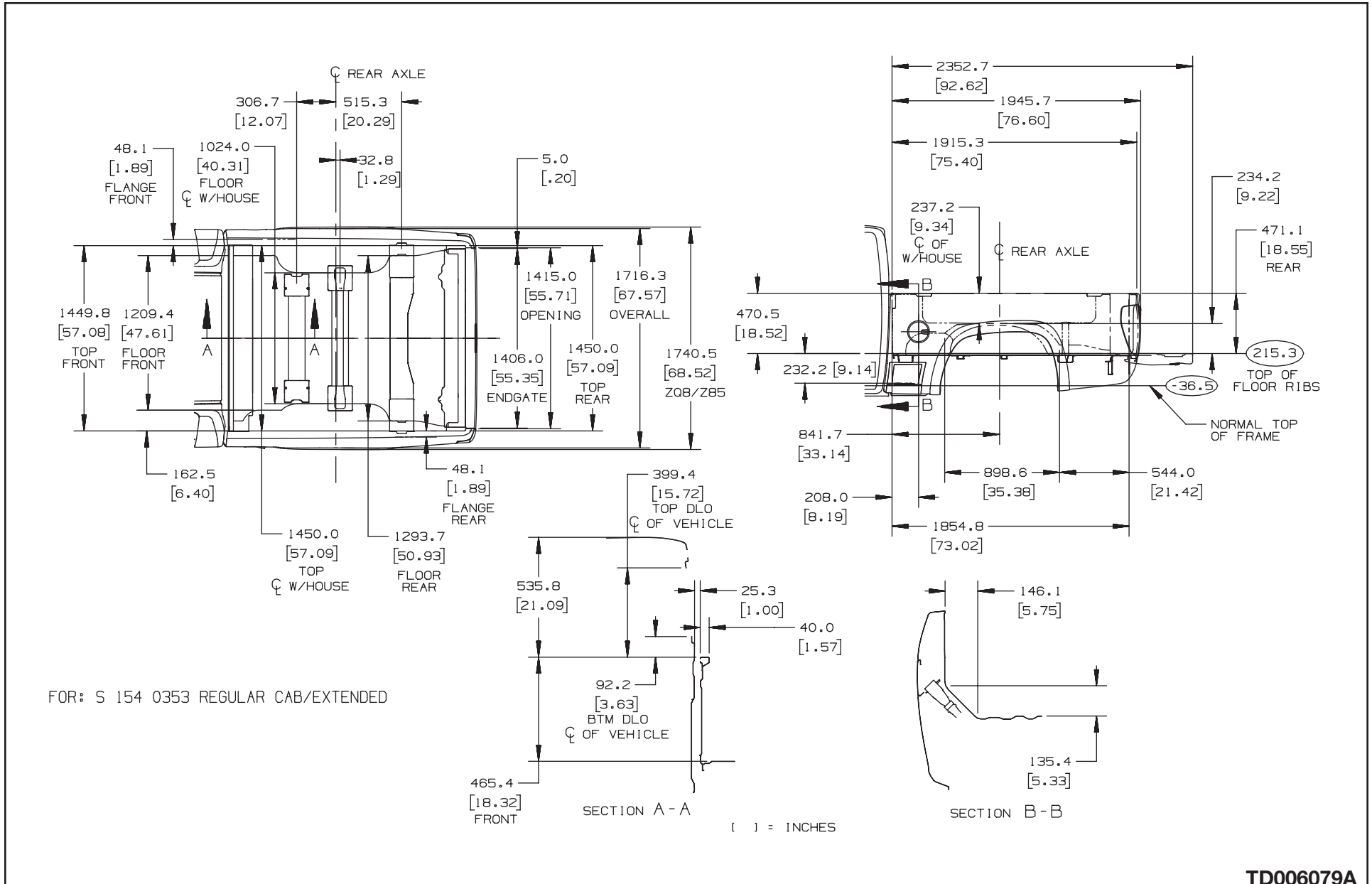
() = INCHES



GMC (BASE) S/T 154/156

COLORADO/CANYON S/T P.U. AND CHASSIS-CAB

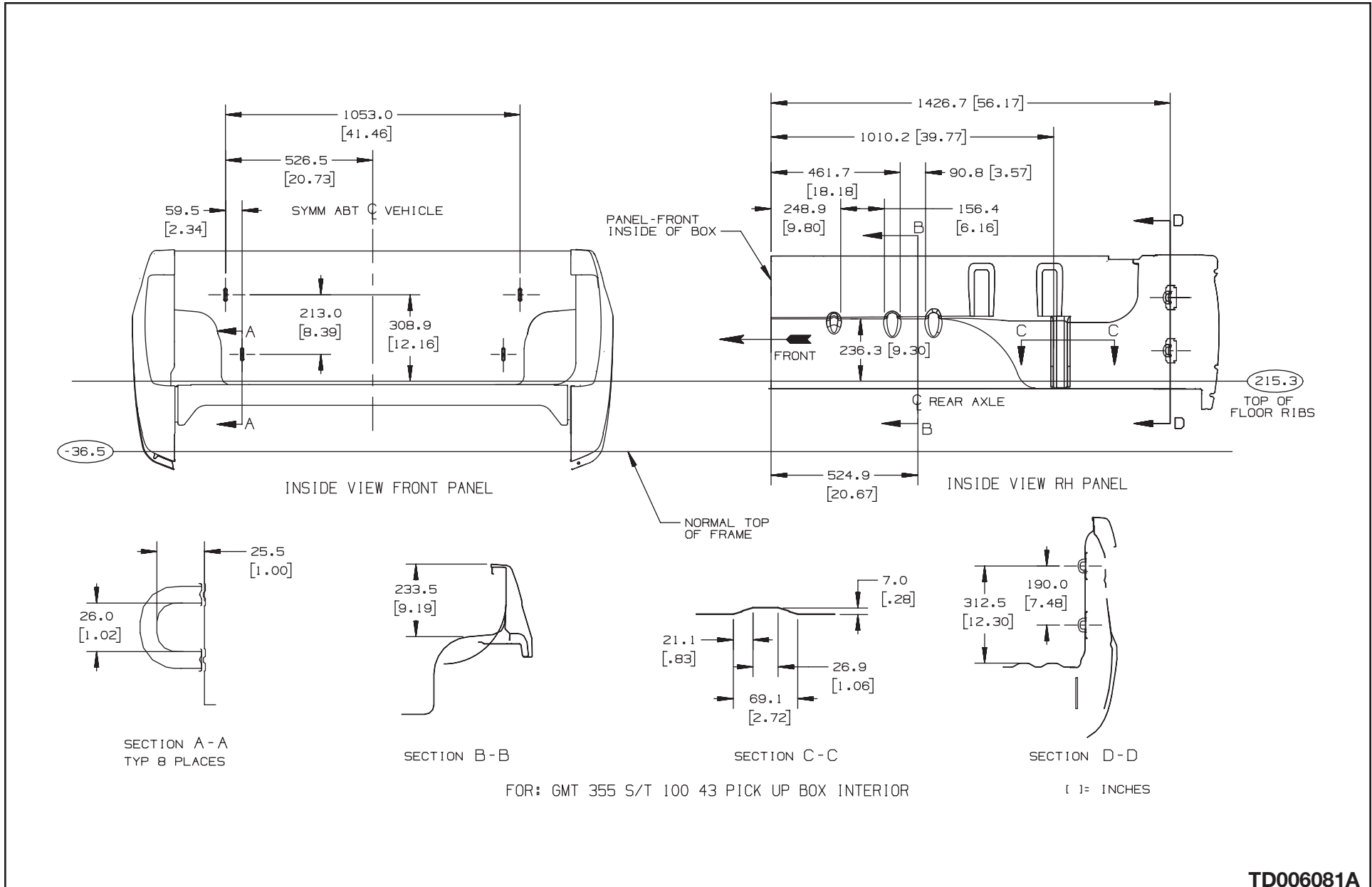
Pickup Box, Tie Down Loops, Bulkhead Dividers, Two Tier Loading, PU Box Top



TD006079A

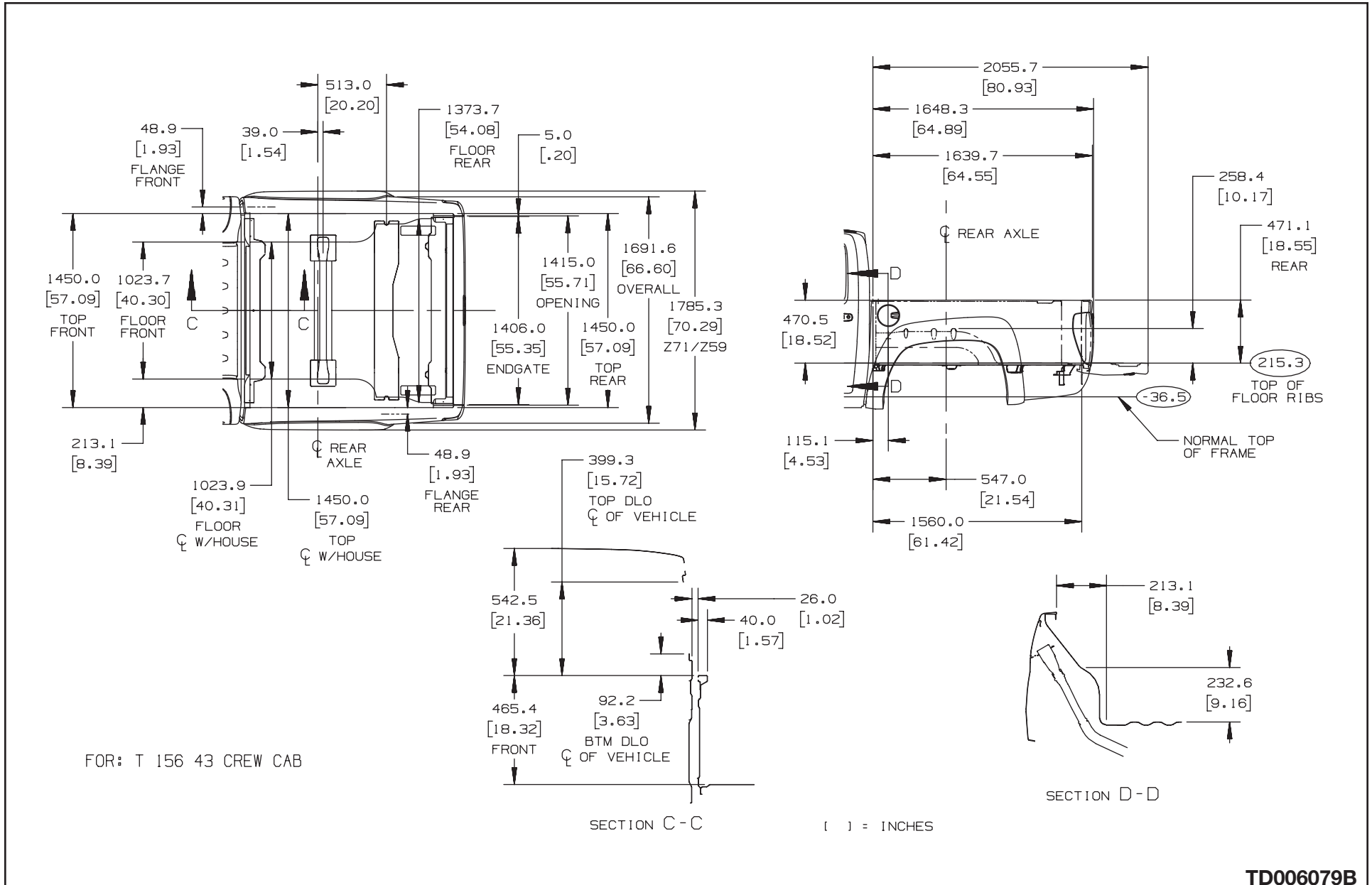
COLORADO/CANYON S/T P.U. AND CHASSIS-CAB

Pickup Box, Tie Down Loops, Bulkhead Dividers, Two Tier Loading, PU Box Top



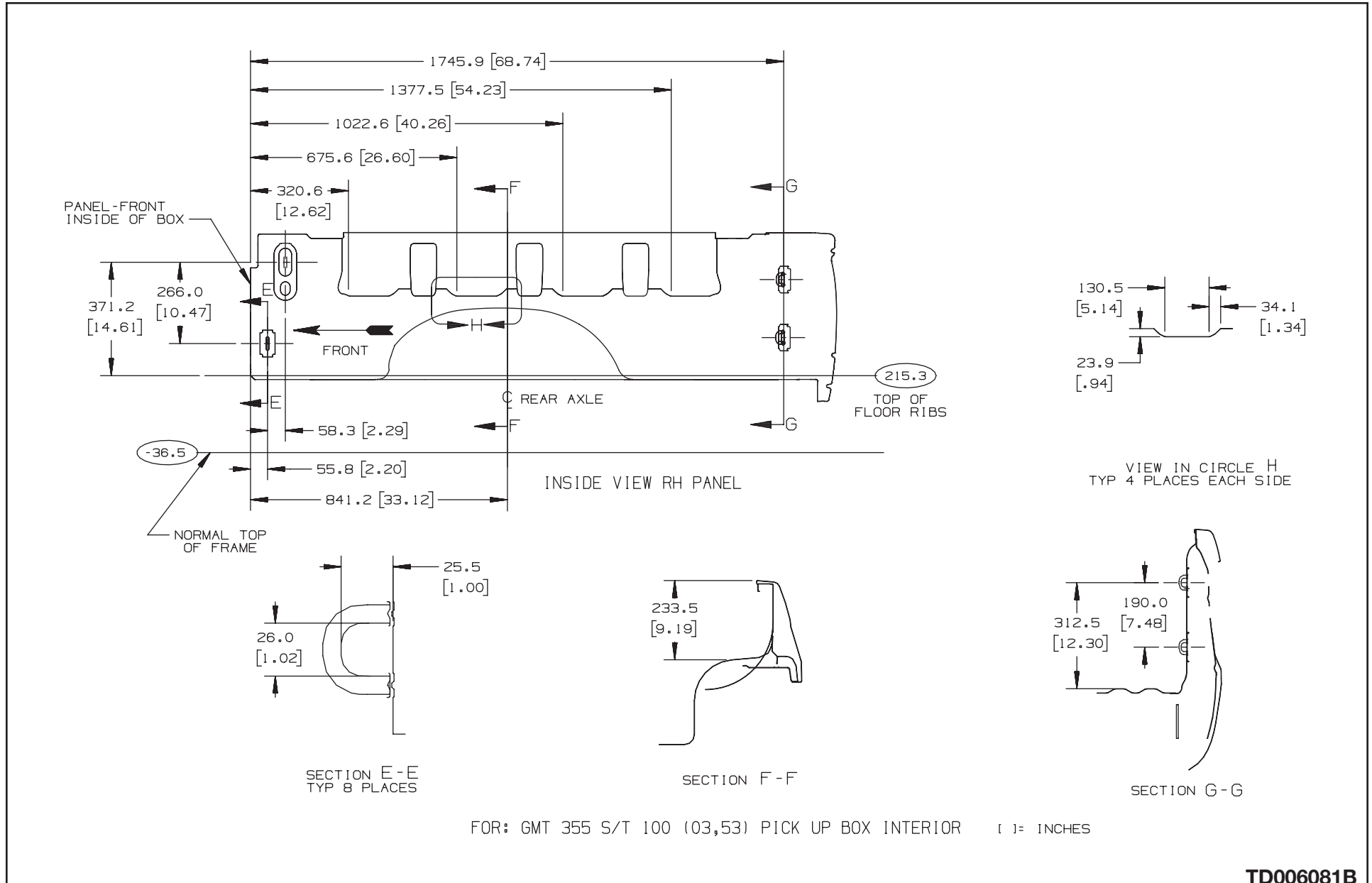
COLORADO/CANYON S/T P.U. AND CHASSIS-CAB

Pickup Box, Tie Down Loops, Bulkhead Dividers, Two Tier Loading, PU Box Top



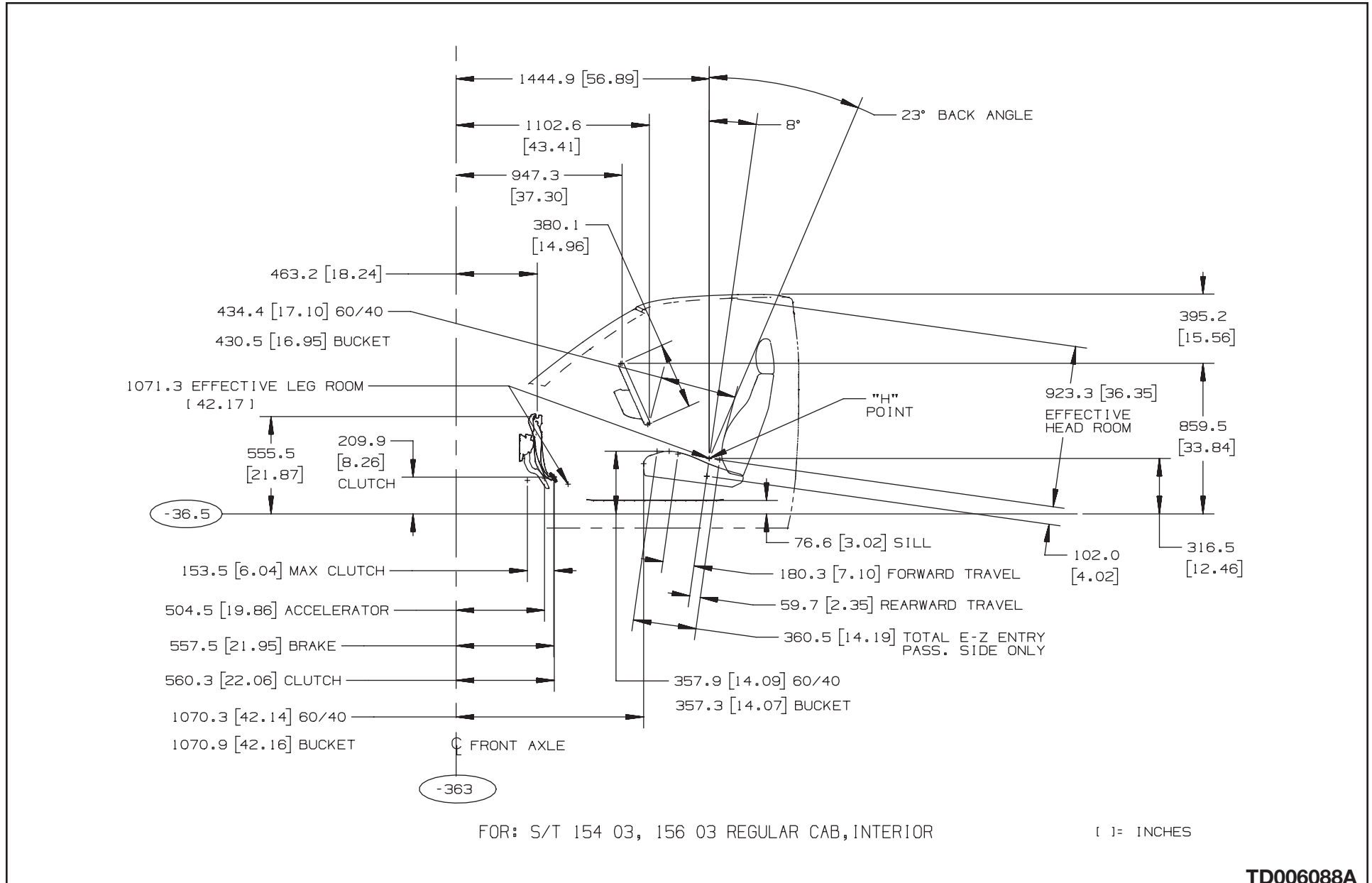
COLORADO/CANYON S/T P.U. AND CHASSIS-CAB

Pickup Box, Tie Down Loops, Bulkhead Dividers, Two Tier Loading, PU Box Top



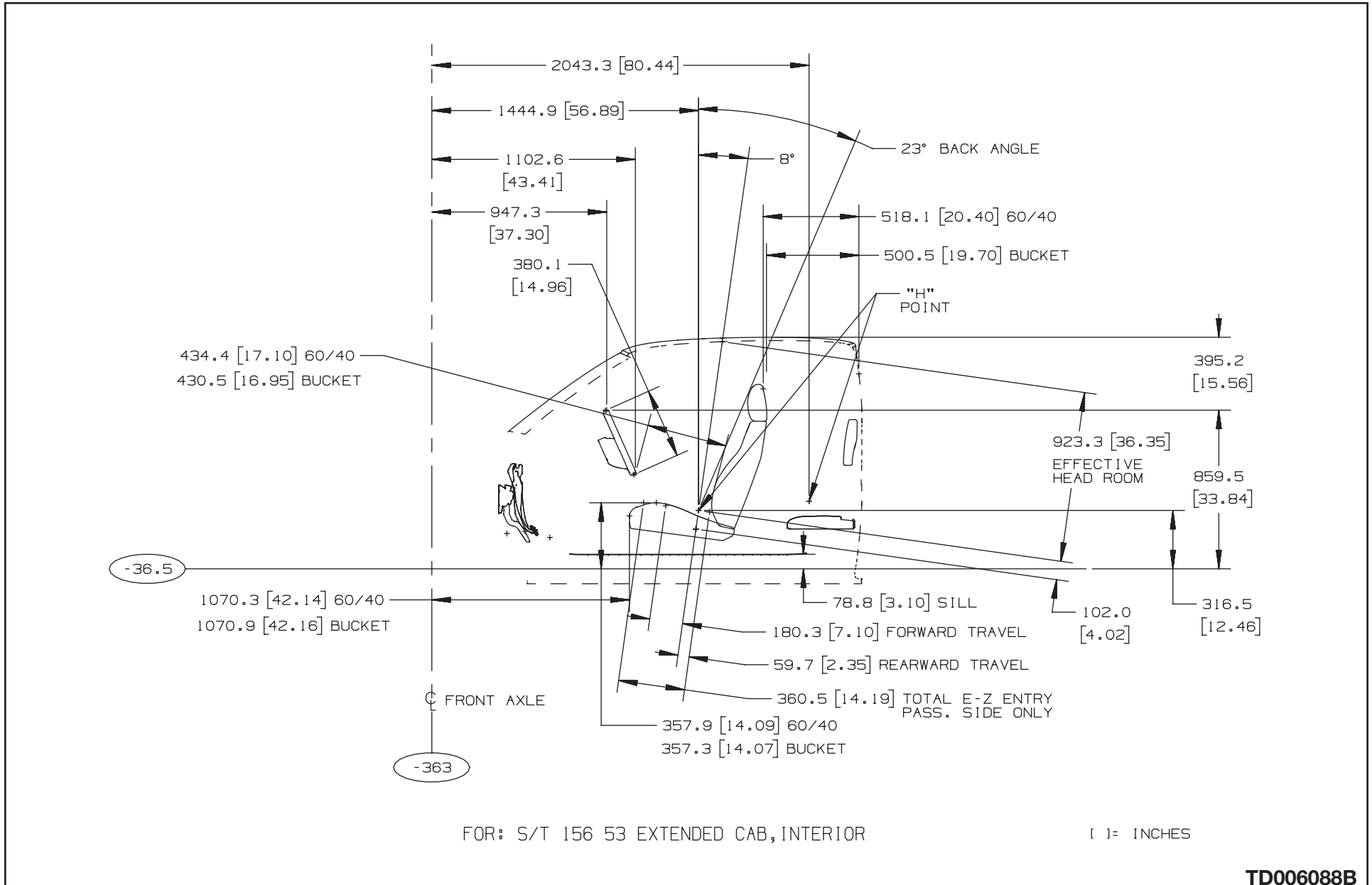
TD006081B

Cab Interior – Regular Cab (03)

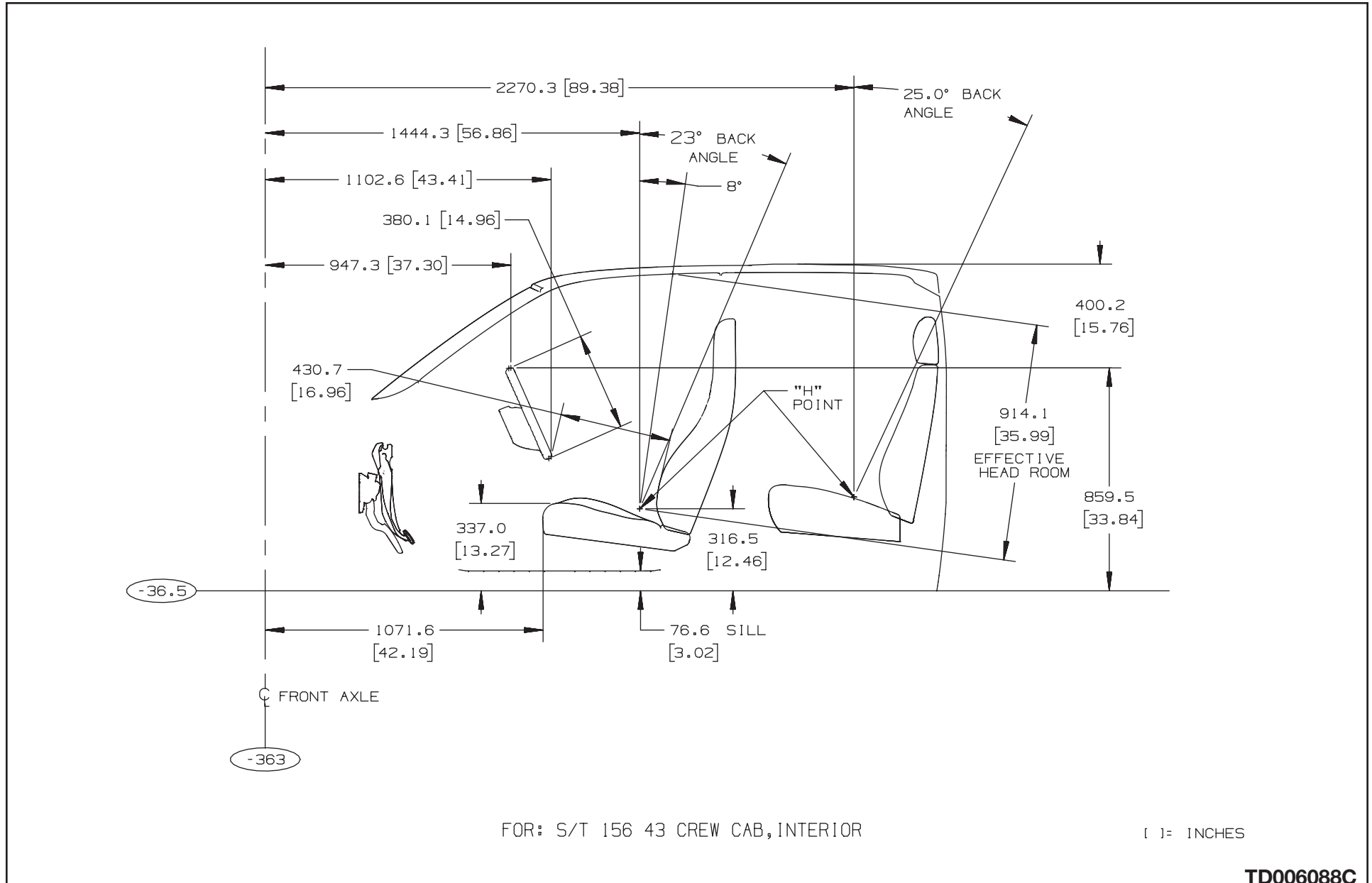


TD006088A

Cab Interior – Extended Cab (53)

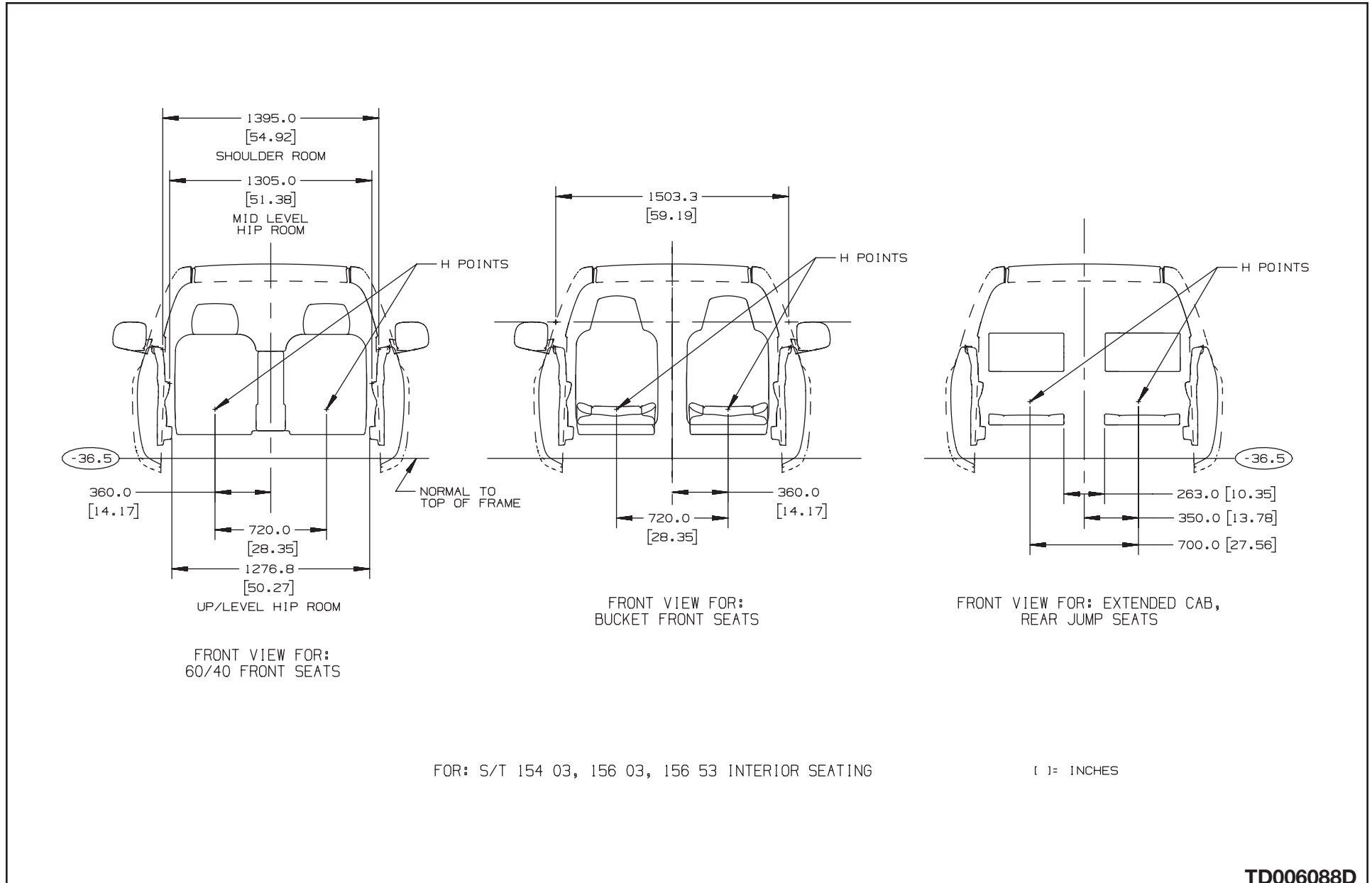


Cab Interior – Crew Cab (43)



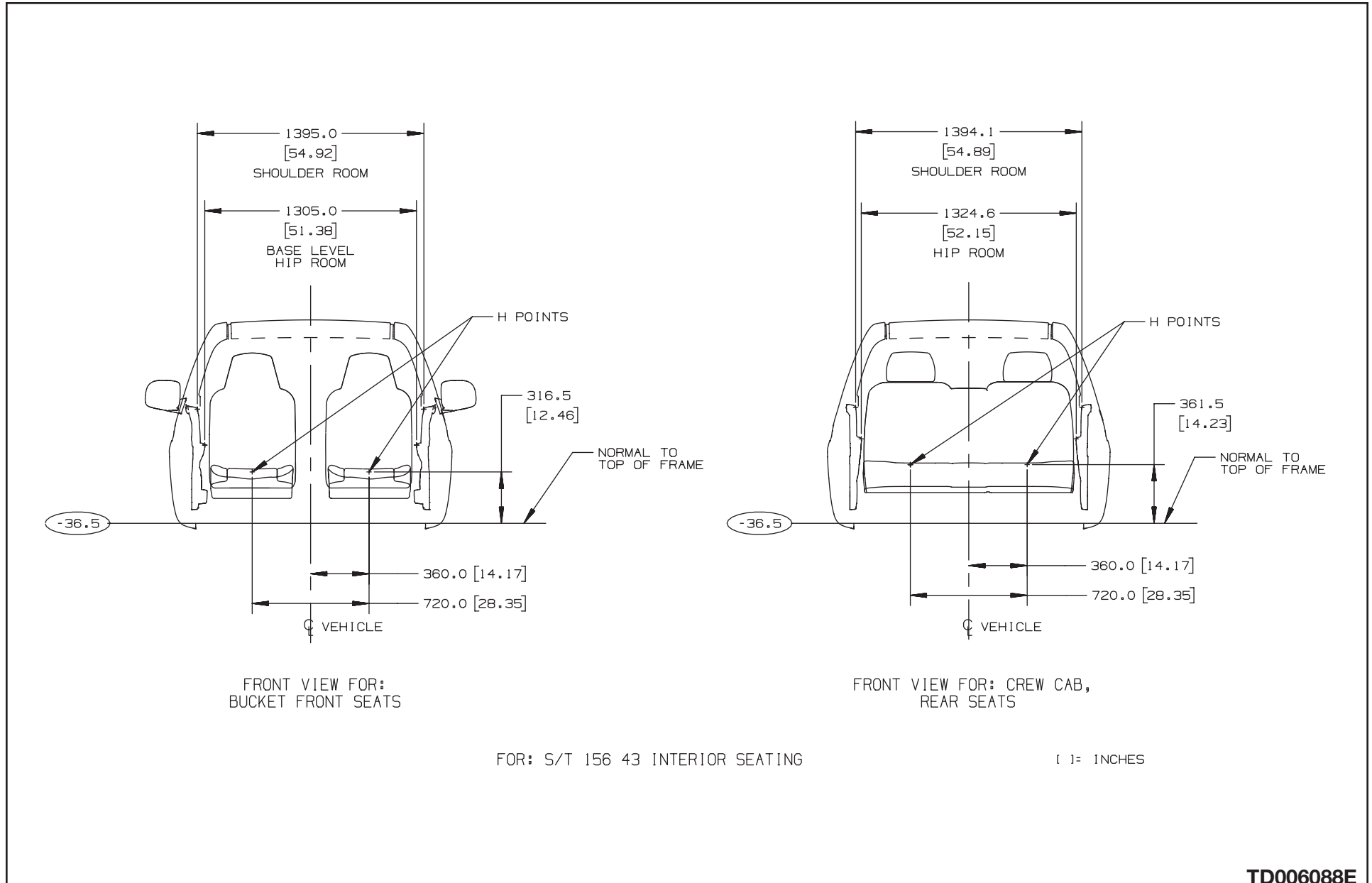
TD006088C

Seating Positions (03 & 53)



TD006088D

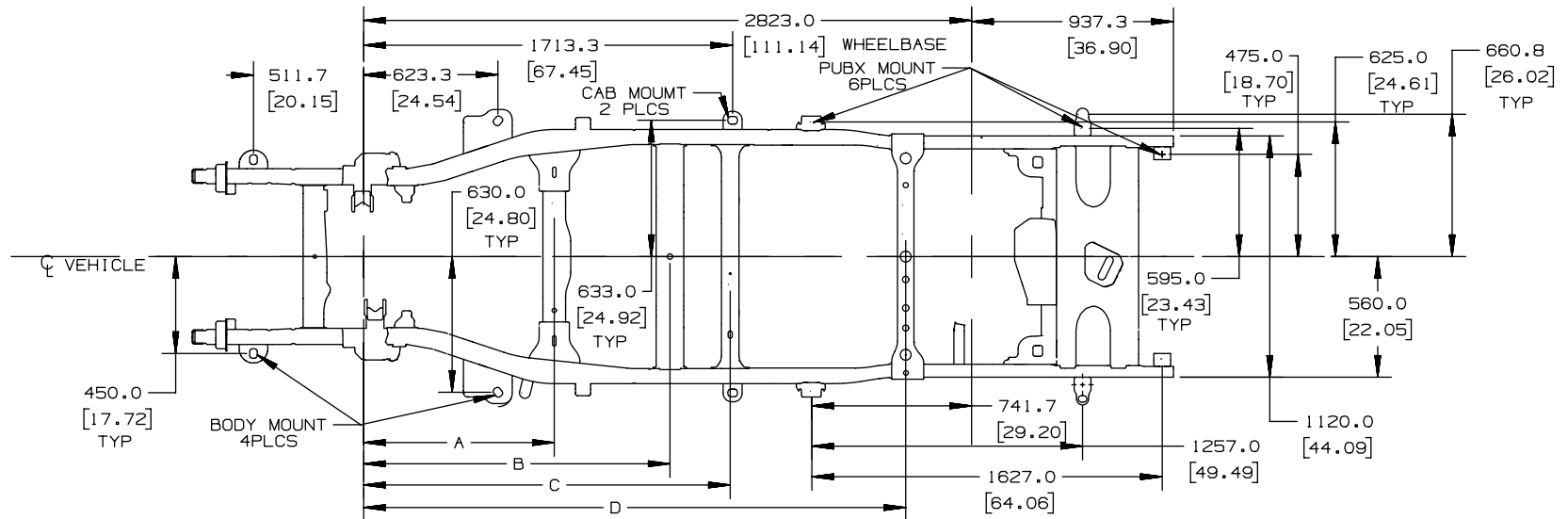
Seating Positions (43)



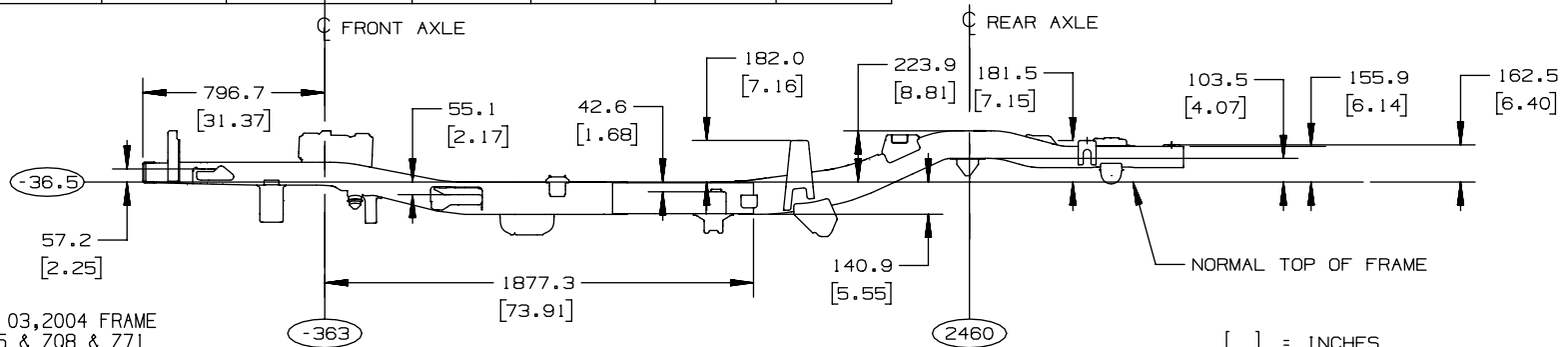
TD006088E

COLORADO/CANYON S/T P.U. AND CHASSIS-CAB

Frame and Crossmember – S/T154 (03) Regular Cab Pickup



MODEL	RPO	FRAME	A	B	C	D
S100 03	Z85 Z08	15098462 15098463	884.9 (34.84)	—	1702.0 (67.01)	2517.1 (101.22)
S154 03	Z71	15171131	884.9 (34.84)	1422.3 (56.00)	1702.0 (67.01)	2517.1 (101.22)
T100 03	Z85	15098464	884.9 (34.84)	—	1702.0 (67.01)	2517.1 (101.22)
T100 03	Z71 Z85	15098465 15198087	884.9 (34.84)	1422.3 (56.00)	1702.0 (67.01)	2517.1 (101.22)

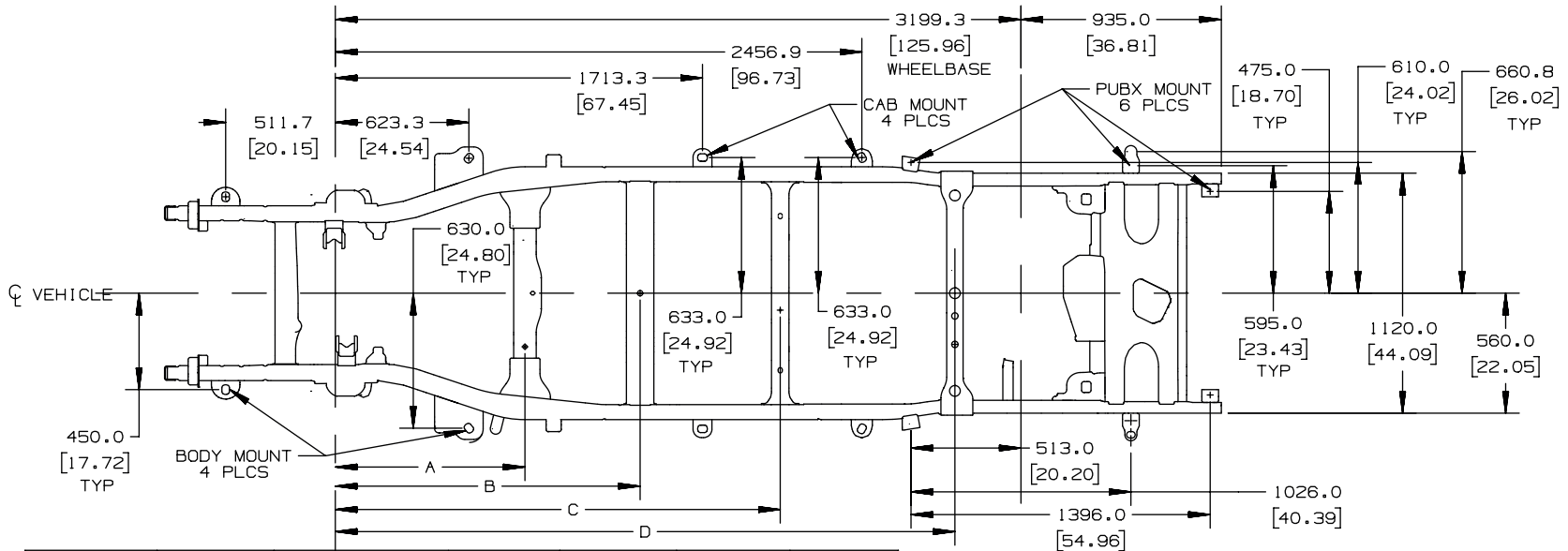


FOR: S/T100 03,2004 FRAME
RPO Z85 & Z08 & Z71

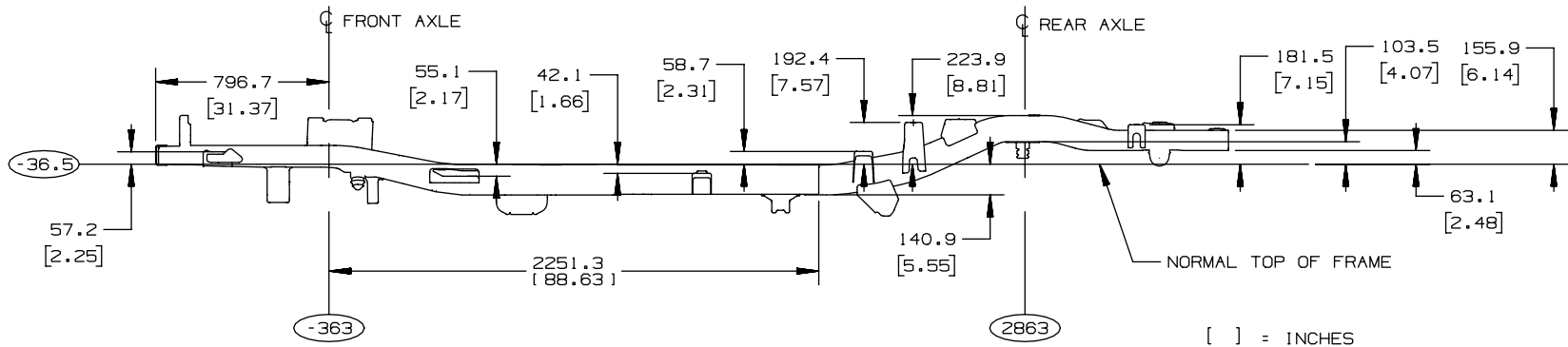
[] = INCHES

COLORADO/CANYON S/T P.U. AND CHASSIS-CAB

Frame and Crossmember - S/T156 (43) Crew Cab Pickup



MODEL	RPO	FRAME	A	B	C	D
S100 43	Z85	15098467	884.9	—	2076.0	2891.1
	Z08	15098469	[34.84]		[81.73]	[113.82]
S100 43	Z71	15171132	884.9	1422.3	2076.0	2891.1
			[34.84]	[56.00]	[81.73]	[113.82]
T100 03	Z71	15098473	884.9	1422.3	2076.0	2891.1
	Z85	15098471	[34.84]	[56.00]	[81.73]	[113.82]

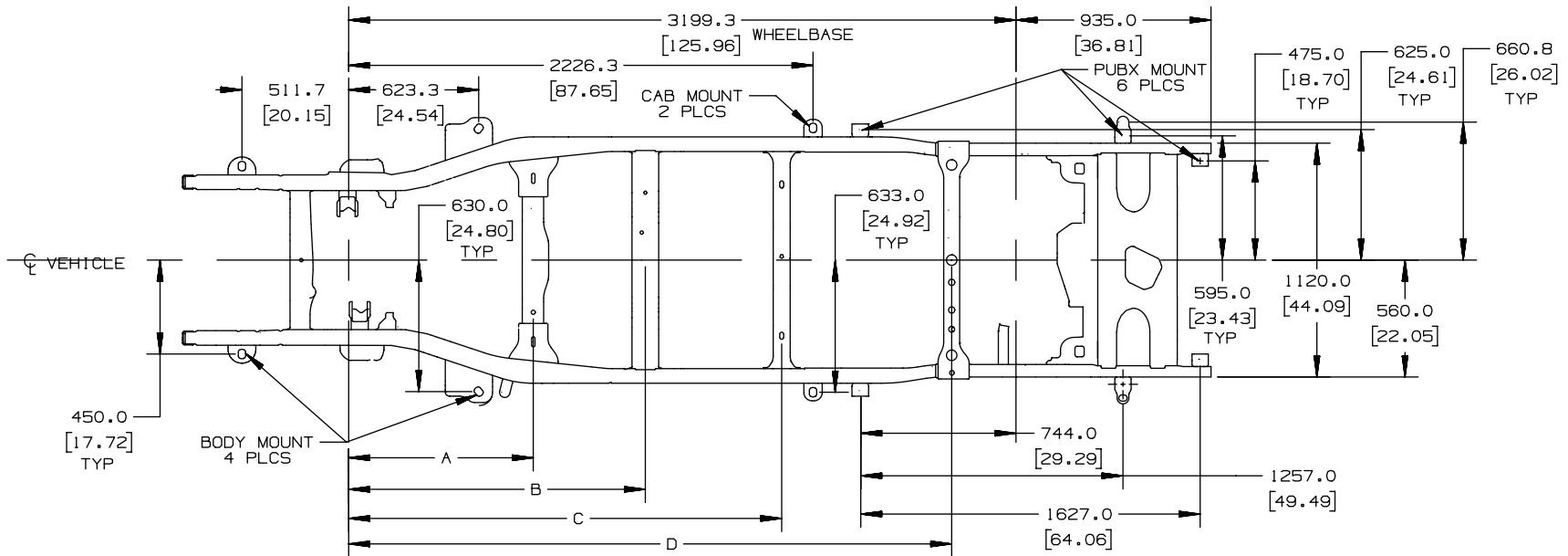


FOR: GMT355,2004 S/T100 43,FRAME RPO:Z71/Z85&Z08

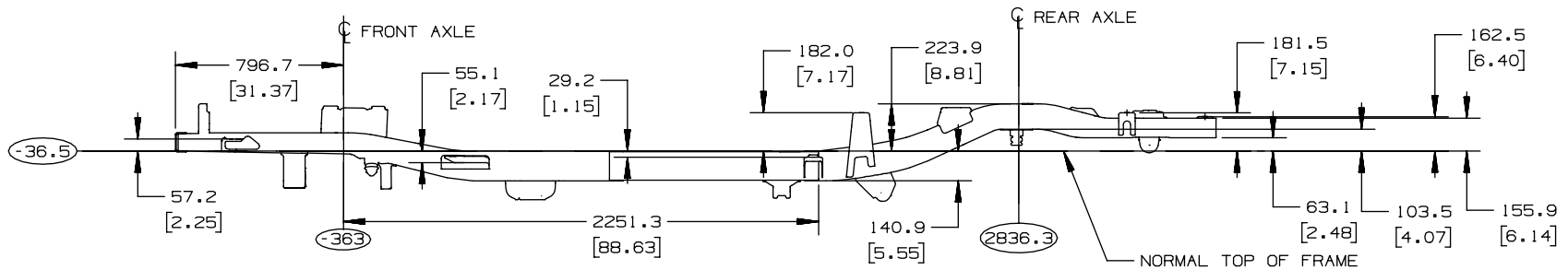
[] = INCHES

COLORADO/CANYON S/T P.U. AND CHASSIS-CAB

Frame and Crossmember – S/T156 (53) Extended Cab Pickup



MODEL	RPO	FRAME	A	B	C	D
S100 53	Z71	15171133	884.9 [34.84]	—	2076.0 [81.73]	2891.1 [113.82]
S100 53	Z85 Z08	15098466 15098468	884.9 [34.84]	1422.3 [56.00]	2076.0 [81.73]	2891.1 [113.82]
T100 53	Z71 Z85	15098472 15198070	884.9 [34.84]	1422.3 [56.00]	2076.0 [81.73]	2891.1 [113.82]

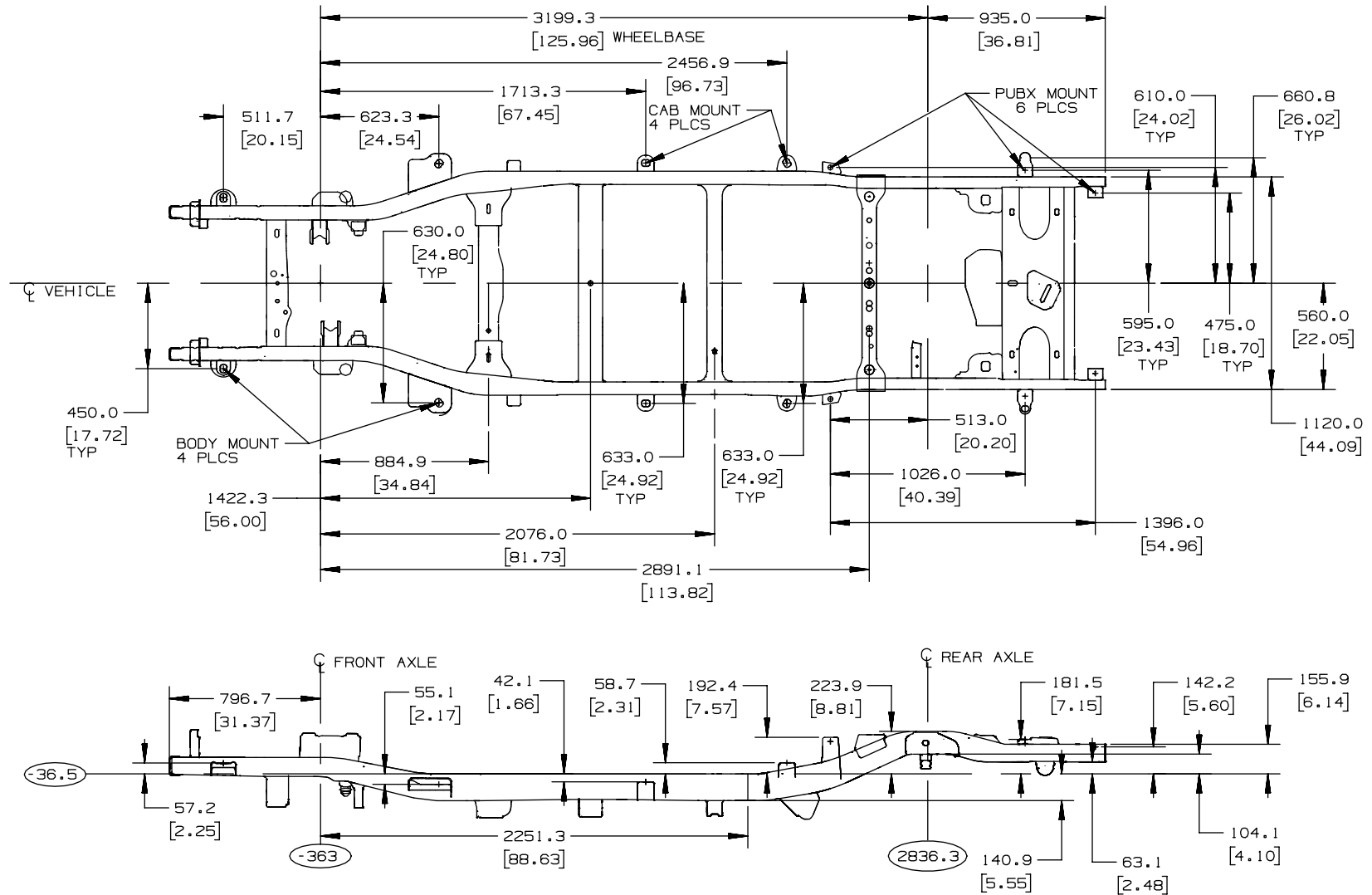


FOR: GMT355,2004 S/T100 53,FRAME RPO:Z71&Z85&Z08

[] = INCHES

COLORADO/CANYON S/T P.U. AND CHASSIS-CAB

Frame and Crossmember - S/T156 (03) Regular Cab Chassis-Cab

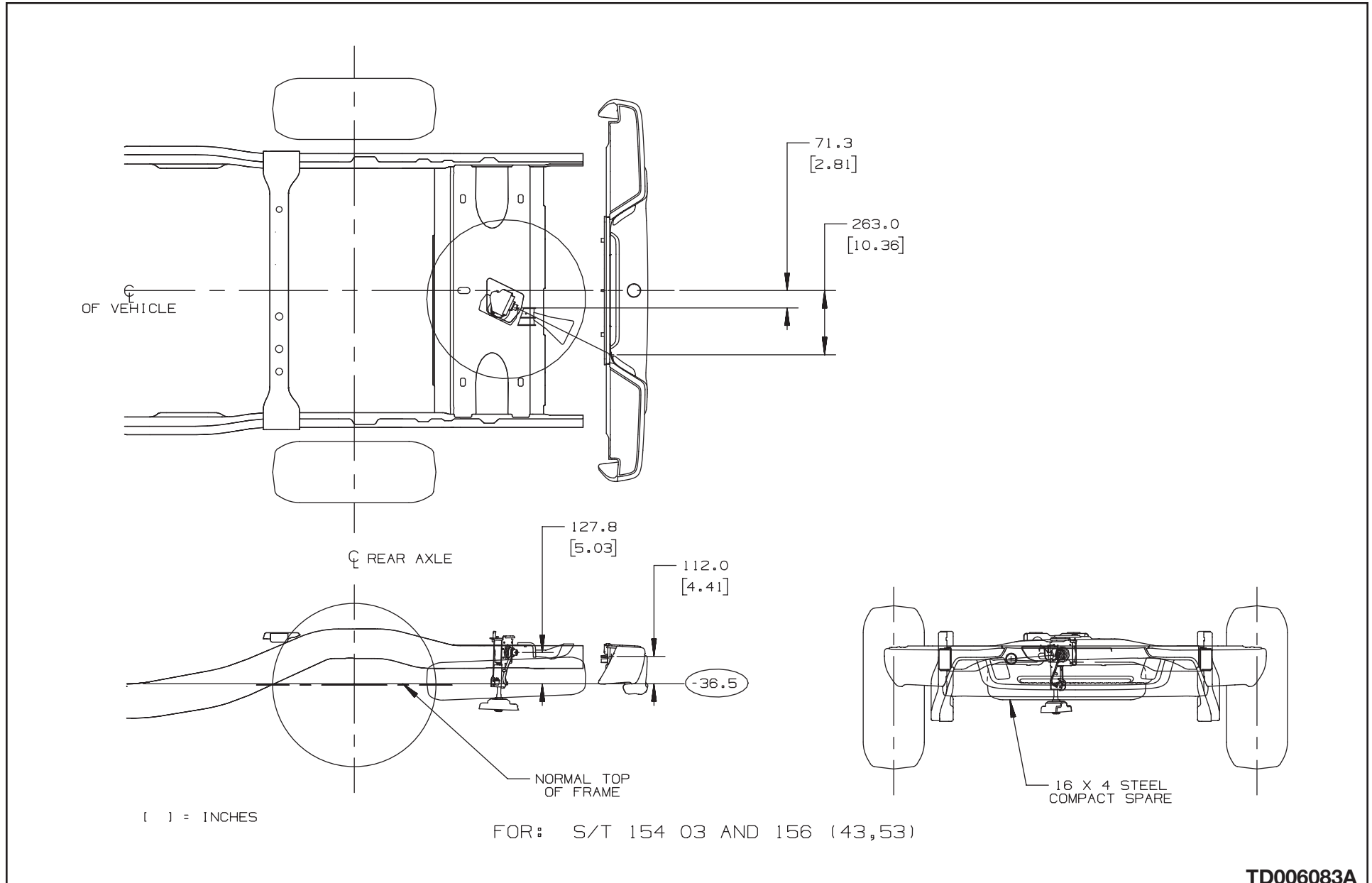


GMT355 2004 S15603 CAB CHASSIS
FRAME 15198089 RPO ZW9

() = INCHES

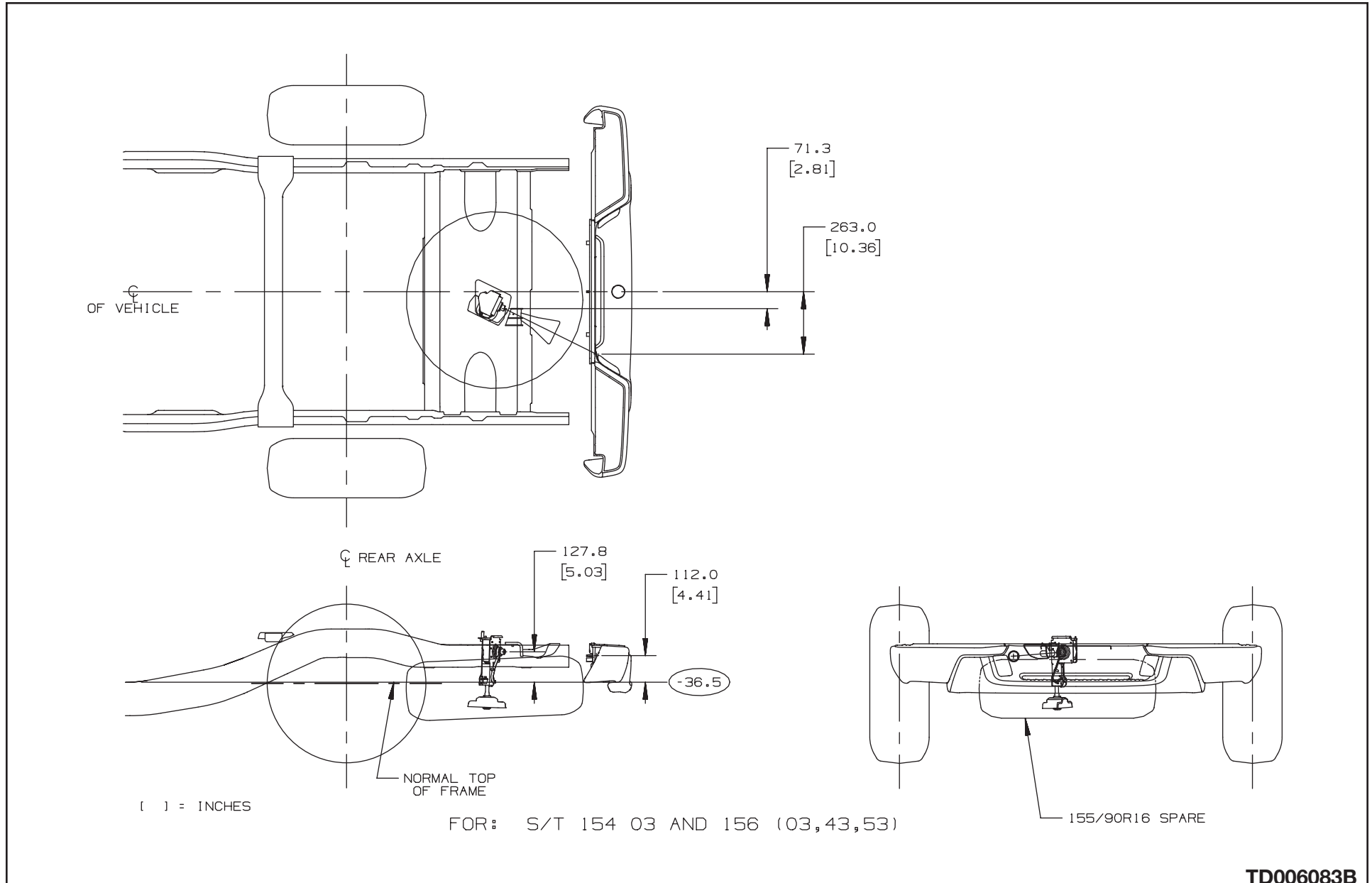
TD006084D

Spare Tire Location (compact) S Truck

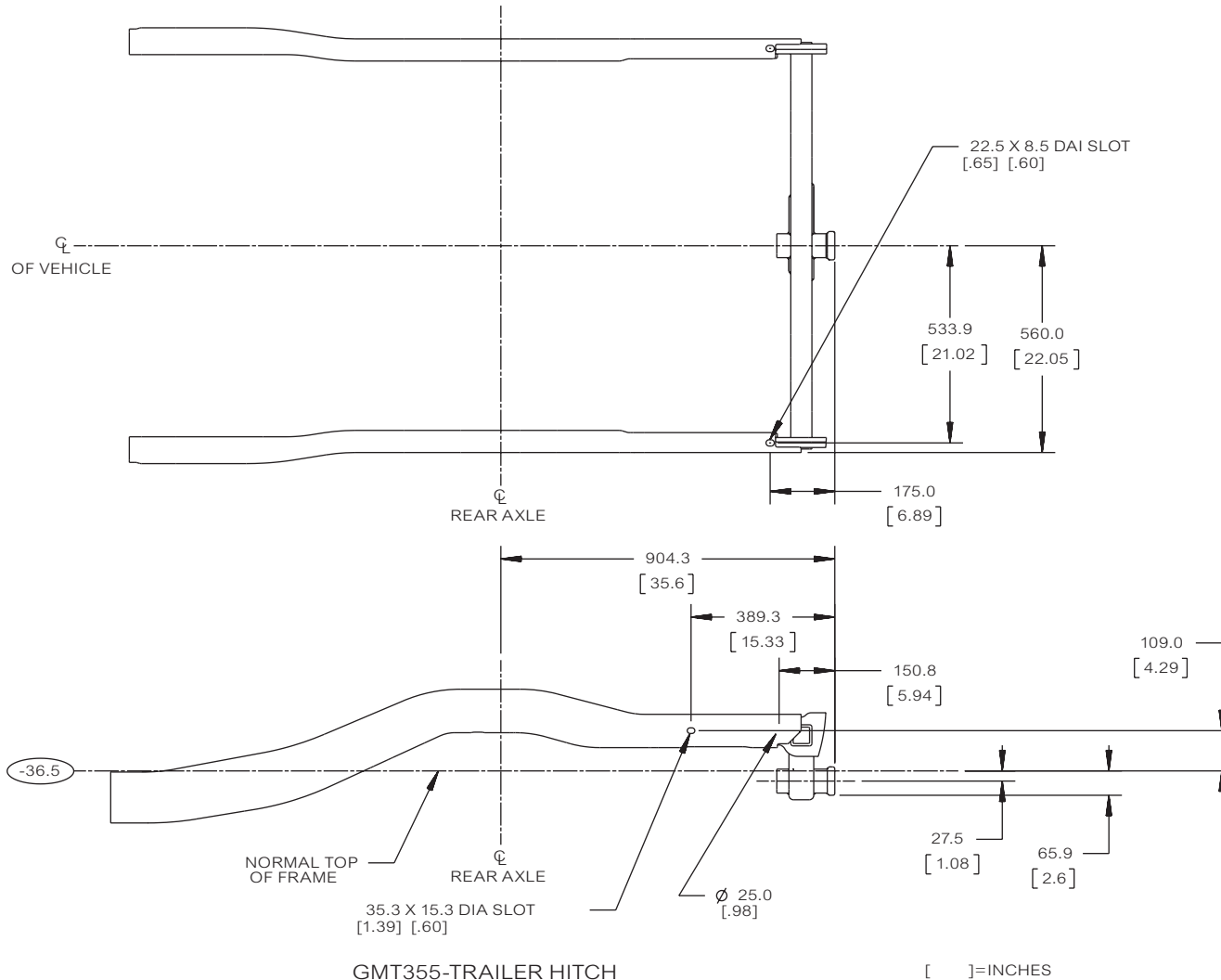


TD006083A

Spare Tire Location (full size) T Truck



Factory Installed Trailer Hitch, Option VR4

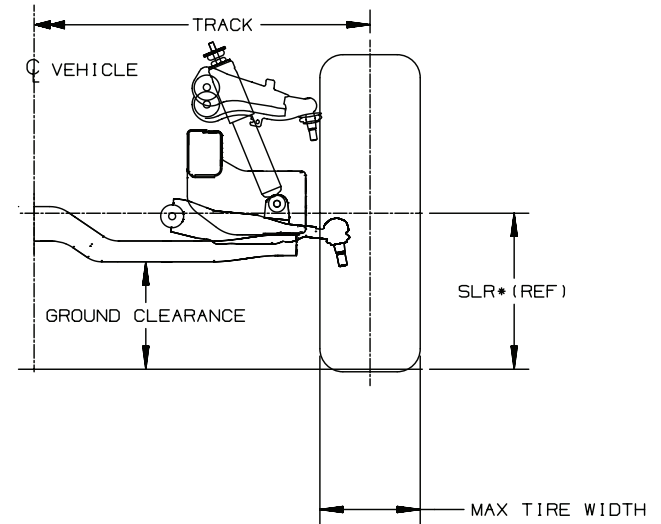


AND31425.3

COLORADO/CANYON S/T P.U. AND CHASSIS-CAB

Front Axle / Tire Data

SERIES	TIRES	SLR	GVW RANGE	TRACK	WHEEL OFFSET	GROUND CLEARANCE	MAX TIRE WIDTH
S 15643	◇ P205/75R15	315.0	5000	1513.2	41.0	178.5	218.0
S 15653	◇ P205/75R15	315.0	5000	1513.2	41.0	178.5	218.0
S 15403	◇ P205/75R15	315.0	4850	1513.2	41.0	178.5	218.0
S 15643	◇ P205/75R15	311.0	5300	1513.2	41.0	174.5	218.0
S 15653	◇ P205/75R15	311.0	5300	1513.2	41.0	174.5	218.0
S 15643	◇ P205/75R15	315.0	5000	1513.2	41.0	178.5	218.0
S 15653	◇ P205/75R15	315.0	5000	1513.2	41.0	178.5	218.0
S 15643	◇ P205/75R15	311.0	5300	1513.2	41.0	174.5	218.0
S 15653	◇ □ P205/75R15	311.0	5300	1513.2	41.0	174.5	218.0
S 15643	◇ P225/75R15	325.0	5500	1513.2	33.0	194.5	239.0
S 15653	◇ P225/75R15	325.0	5500	1513.2	33.0	194.5	239.0
S 15643	◇ P225/75R15	328.0	5300	1513.2	33.0	191.5	239.0
S 15653	◇ P225/75R15	328.0	5300	1513.2	33.0	191.5	239.0
S 15403	◇ P225/75R15	330.0	4850	1513.2	33.0	194.5	239.0
S 15643	◇ P225/75R15	325.0	5500	1533.5	23.0	191.5	239.0
S 15653	◇ P225/75R15	325.0	5500	1533.5	23.0	191.5	239.0
S 15643	◇ P225/75R15	328.0	5300	1533.5	23.0	188.5	239.0
S 15653	◇ P225/75R15	328.0	5300	1533.5	23.0	188.5	239.0
S 15643	◇ P225/75R15	325.0	5500	1513.2	33.0	194.5	239.0
S 15653	◇ P225/75R15	325.0	5500	1513.2	33.0	194.5	239.0
S 15643	◇ P225/75R15	328.0	5300	1513.2	33.0	191.5	239.0
S 15653	◇ P225/75R15	328.0	5300	1513.2	33.0	191.5	239.0
S 15403	◇ P225/75R15	330.0	4850	1513.2	33.0	194.5	239.0
S 15643	◇ P225/75R15	325.0	5500	1533.5	23.0	191.5	239.0
S 15653	◇ P225/75R15	325.0	5500	1533.5	23.0	191.5	239.0
S 15643	◇ P225/75R15	328.0	5300	1533.5	23.0	188.5	239.0
S 15653	◇ P225/75R15	328.0	5300	1533.5	23.0	188.5	239.0



◇ ALL SEASON TIRE
 □ ON/OFF ROAD TIRE

* MINIMUM GROUND CLEARANCE TO BE CALCULATED BY USING GROSS AXLE WEIGHT AND INFLATING TIRE PRESSURE AS RECOMMENDED (35 PSI)

GMT355-FRONT AXLE/TIRE DATA: S/T15403,15643,15653,15603 2008i

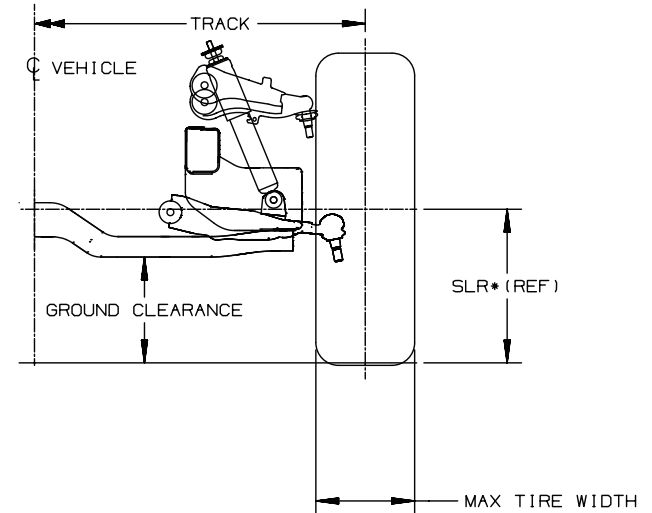
100C07 JF

METRIC CONVERSION TO INCHES
 MM / 25.4 = INCHES

COLORADO/CANYON S/T P.U. AND CHASSIS-CAB

Front Axle / Tire Data (cont'd)

SERIES	TIRES	SLR	GVW RANGE	TRACK	WHEEL OFFSET	GROUND CLEARANCE	MAX TIRE WIDTH
S 15643	◇ P235/50R18	321.0	5500	1515.0	29.0	229.3	262.0
S 15653	◇ P235/50R18	321.0	5500	1515.0	29.0	229.3	262.0
S 15643	◇ P235/50R18	322.0	5300	1515.0	29.0	231.6	262.0
S 15653	◇ P235/50R18	322.0	5300	1515.0	29.0	230.0	262.0
S 15643	◇ P235/75R16	349.0	5300	1513.0	41.0	212.5	252.0
S 15653	◇ P235/75R16	349.0	5300	1513.0	41.0	212.5	252.0
S 15643	◇ P235/75R16	346.0	5500	1513.0	41.0	209.5	252.0
S 15653	◇ P235/75R16	346.0	5500	1513.0	41.0	209.5	252.0
T 15643	◇ P235/75R16	350.0	5150	1513.0	41.0	213.5	252.0
T 15653	◇ P235/75R16	349.0	5300	1513.0	41.0	212.5	252.0
T 15643	◇ P235/75R16	349.0	5300	1513.0	41.0	212.5	252.0
T 15653	◇ □ P235/75R16	349.0	5300	1513.0	41.0	212.5	252.0
T 15403	◇ □ P235/75R16	349.0	5300	1513.0	41.0	212.5	252.0
T 15643	◇ P235/75R15	335.0	5300	1513.0	41.0	198.5	242.0
T 15643	◇ P235/75R15	332.0	5500	1513.0	41.0	195.5	242.0
T 15653	◇ P235/75R15	335.0	5300	1513.0	41.0	198.5	242.0
T 15653	◇ P235/75R15	332.0	5500	1513.0	41.0	195.5	242.0
T 15403	◇ P235/75R15	334.0	5150	1513.0	41.0	197.5	242.0
S 15603	◇ P235/75R15	335.0	5300	1529.0	33.0	198.5	242.0
T 15603	◇ P235/75R15	335.0	5300	1529.0	33.0	198.5	242.0
T 15643	◇ P235/75R15	335.0	5300	1529.0	33.0	198.5	242.0
T 15643	◇ P235/75R15	332.0	5500	1529.0	33.0	195.5	242.0
T 15653	◇ P235/75R15	335.0	5300	1529.0	33.0	198.5	242.0
T 15653	◇ P235/75R15	332.0	5500	1529.0	33.0	195.5	242.0
T 15403	◇ P235/75R15	334.0	5150	1529.0	33.0	197.5	242.0
T 15643	◇ P235/75R15	335.0	5300	1513.0	41.0	198.5	242.0
T 15643	◇ P235/75R15	332.0	5500	1513.0	41.0	195.5	242.0
T 15653	◇ P235/75R15	335.0	5300	1513.0	41.0	198.5	242.0
T 15653	◇ P235/75R15	332.0	5500	1513.0	41.0	195.5	242.0
T 15403	◇ P235/75R15	334.0	5150	1513.0	41.0	197.5	242.0
S 15603	◇ P235/75R15	335.0	5300	1529.0	33.0	198.5	242.0
T 15603	◇ P235/75R15	335.0	5300	1529.0	33.0	198.5	242.0
T 15643	◇ P235/75R15	335.0	5300	1529.0	33.0	198.5	242.0
T 15643	◇ P235/75R15	332.0	5500	1529.0	33.0	195.5	242.0
T 15653	◇ P235/75R15	335.0	5300	1529.0	33.0	198.5	242.0
T 15653	◇ P235/75R15	332.0	5500	1529.0	33.0	195.5	242.0
T 15403	◇ P235/75R15	334.0	5150	1529.0	33.0	197.5	242.0



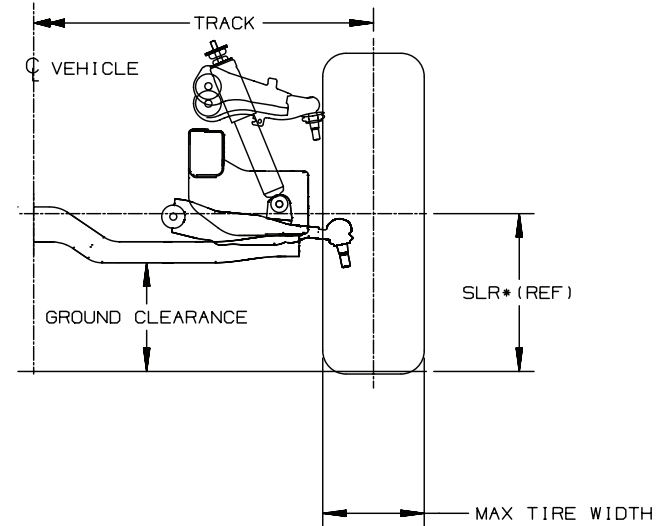
- ◇ ALL SEASON TIRE
- ON/OFF ROAD TIRE

* MINIMUM GROUND CLEARANCE TO BE CALCULATED BY USING GROSS AXLE WEIGHT AND INFLATING TIRE PRESSURE AS RECOMMENDED (35 PSI)

COLORADO/CANYON S/T P.U. AND CHASSIS-CAB

Front Axle / Tire Data (cont'd)

SERIES	TIRES	SLR	GVW RANGE	TRACK	WHEEL OFFSET	GROUND CLEARANCE	MAX TIRE WIDTH
S 15643	◻ P265/70R17	371.0	5300	1572.7	31.5	220.5	276.0
S 15653	◻ P265/70R17	371.0	5300	1572.7	31.5	220.5	276.0
T 15643	◻ P265/70R17	371.0	5300	1572.7	31.5	220.5	276.0
T 15653	◻ P265/70R17	371.0	5300	1572.7	31.5	220.5	276.0
T 15403	◻ P265/70R17	372.0	5150	1572.7	31.5	221.5	276.0
S 15643	◻ P265/70R17	369.0	5500	1572.7	31.5	218.5	276.0
S 15653	◻ P265/70R17	369.0	5500	1572.7	31.5	218.5	276.0
T 15643	◻ P265/70R17	369.0	5500	1572.7	31.5	218.5	276.0
T 15653	◻ P265/70R17	369.0	5500	1572.7	31.5	218.5	276.0
T 15643	◻ P265/75R15	357.0	5300	1529.9	33.0	220.5	261.0
T 15653	◻ P265/75R15	357.0	5300	1529.9	33.0	220.5	261.0
T 15403	◻ P265/75R15	358.0	5150	1529.9	33.0	221.5	261.0
S 15643	◻ P265/75R15	357.0	5300	1529.9	33.0	220.5	261.0
S 15653	◻ P265/75R15	357.0	5300	1529.9	33.0	220.5	261.0
T 15643	◻ P265/75R15	355.0	5500	1529.9	33.0	218.5	261.0
T 15653	◻ P265/75R15	355.0	5500	1529.9	33.0	218.5	261.0
S 15643	◻ P265/75R15	355.0	5500	1529.9	33.0	218.5	261.0
S 15653	◻ P265/75R15	355.0	5500	1529.9	33.0	218.5	261.0
T 15643	◻ P265/75R15	357.0	5300	1550.2	33.0	220.5	261.0
T 15653	◻ P265/75R15	357.0	5300	1550.2	33.0	220.5	261.0
T 15403	◻ P265/75R15	358.0	5150	1550.2	33.0	221.5	261.0
S 15643	◻ P265/75R15	357.0	5300	1550.2	33.0	220.5	261.0
S 15653	◻ P265/75R15	357.0	5300	1550.2	33.0	220.5	261.0
T 15643	◻ P265/75R15	355.0	5500	1550.2	33.0	218.5	261.0
T 15653	◻ P265/75R15	355.0	5500	1550.2	33.0	218.5	261.0
S 15643	◻ P265/75R15	355.0	5500	1550.2	33.0	218.5	261.0
S 15653	◻ P265/75R15	355.0	5500	1550.2	33.0	218.5	261.0



- ◇ ALL SEASON TIRE
- ◻ ON/OFF ROAD TIRE

* MINIMUM GROUND CLEARANCE TO BE CALCULATED BY USING GROSS AXLE WEIGHT AND INFLATING TIRE PRESSURE AS RECOMMENDED (35 PSI)

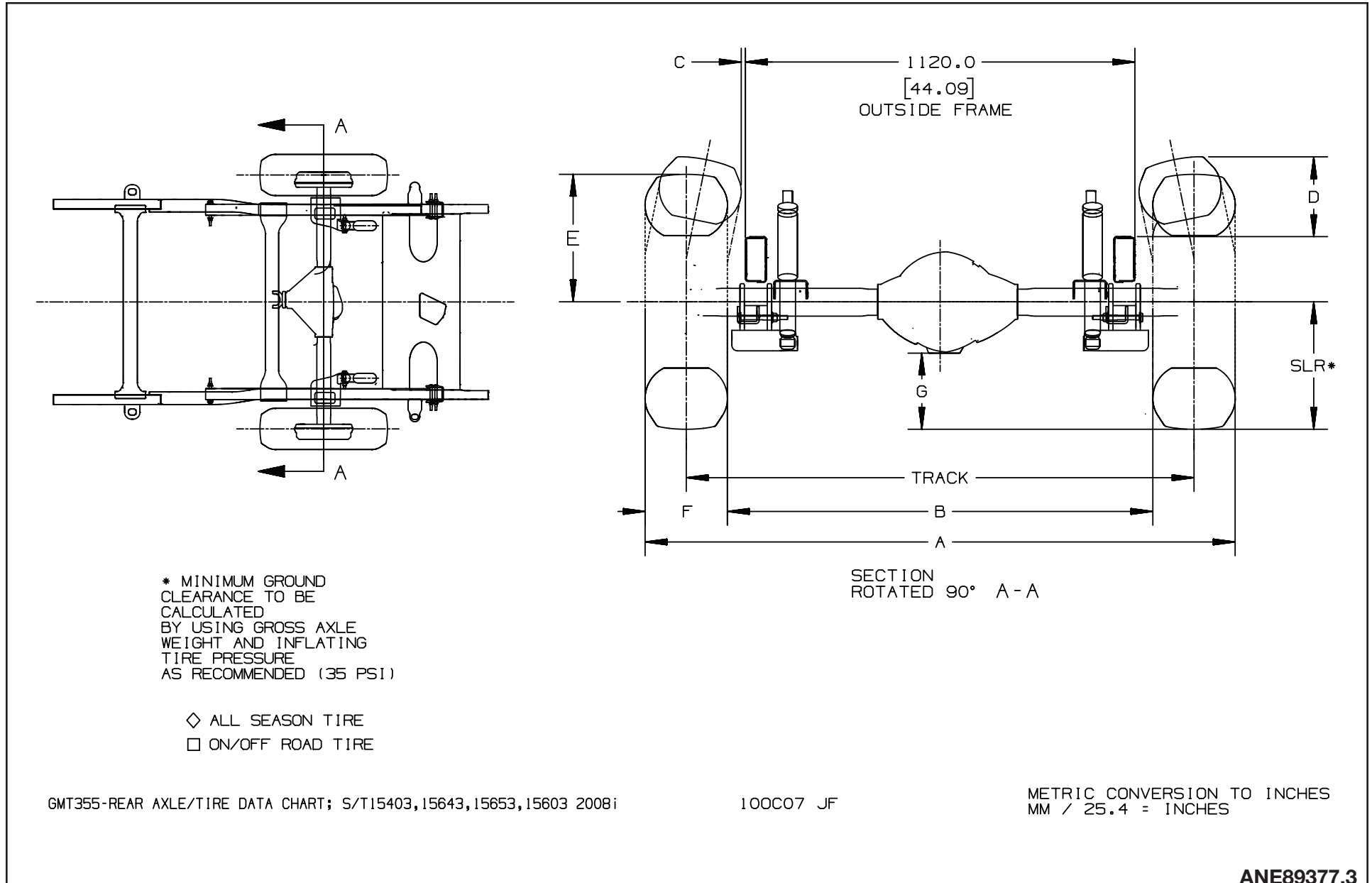
GMT355-FRONT AXLE/TIRE DATA: S/T15403,15643,15653,15603 2008i

100C07 JF

METRIC CONVERSION TO INCHES
MM / 25.4 = INCHES

ANE88663.5

Rear Axle / Tire Data



COLORADO/CANYON S/T P.U. AND CHASSIS-CAB

Rear Axle / Tire Data (cont'd)

SERIES	TIRES	SLR	GVW RANGE	TRACK	WHEEL OFFSET	DIM A	DIM B	DIM C	DIM D	DIM E	DIM F	DIM G
S 15643	◇ P205/75R15	312.0	5000	1520.0	41.0	1738.0	1302.0	1.2	167.3	349.5	218.0	165.8
S 15653	◇ P205/75R15	312.0	5000	1520.0	41.0	1738.0	1302.0	1.2	167.3	349.5	218.0	165.8
S 15403	◇ P205/75R15	312.0	4850	1520.0	41.0	1738.0	1302.0	1.2	167.3	349.5	218.0	165.8
S 15643	◇ P205/75R15	312.0	5300	1520.0	41.0	1738.0	1302.0	1.2	167.3	349.5	218.0	165.8
S 15653	◇ P205/75R15	312.0	5300	1520.0	41.0	1738.0	1302.0	1.2	167.3	349.5	218.0	165.8
S 15643	◇ P205/75R15	312.0	5000	1520.0	41.0	1738.0	1302.0	1.2	167.3	349.5	218.0	165.8
S 15653	◇ P205/75R15	312.0	5000	1520.0	41.0	1738.0	1302.0	1.2	167.3	349.5	218.0	165.8
S 15643	◇ P205/75R15	312.0	5300	1520.0	41.0	1738.0	1302.0	1.2	167.3	349.5	218.0	165.8
S 15653	◇□ P205/75R15	312.0	5300	1520.0	41.0	1738.0	1302.0	1.2	167.3	349.5	218.0	165.8
S 15643	◇ P225/75R15	326.0	5500	1496.0	33.0	1735.0	1257.0	-35.9	180.0	364.1	239.0	179.8
S 15653	◇ P225/75R15	326.0	5500	1496.0	33.0	1735.0	1257.0	-35.9	180.0	364.1	239.0	179.8
S 15643	◇ P225/75R15	326.0	5300	1496.0	33.0	1735.0	1257.0	-35.9	180.0	364.1	239.0	179.8
S 15653	◇ P225/75R15	326.0	5300	1496.0	33.0	1735.0	1257.0	-35.9	180.0	364.1	239.0	179.8
S 15403	◇ P225/75R15	326.0	4850	1496.0	33.0	1735.0	1257.0	-35.9	180.0	364.1	239.0	179.8
S 15643	◇ P225/75R15	326.0	5500	1556.0	23.0	1795.0	1317.0	-5.9	180.0	364.1	239.0	179.8
S 15653	◇ P225/75R15	326.0	5500	1556.0	23.0	1795.0	1317.0	-5.9	180.0	364.1	239.0	179.8
S 15643	◇ P225/75R15	326.0	5300	1556.0	23.0	1795.0	1317.0	-5.9	180.0	364.1	239.0	179.8
S 15653	◇ P225/75R15	326.0	5300	1556.0	23.0	1795.0	1317.0	-5.9	180.0	364.1	239.0	179.8
S 15643	◇ P225/75R15	326.0	5500	1496.0	33.0	1735.0	1257.0	-35.9	180.0	364.1	239.0	179.8
S 15653	◇ P225/75R15	326.0	5500	1496.0	33.0	1735.0	1257.0	-35.9	180.0	364.1	239.0	179.8
S 15643	◇ P225/75R15	326.0	5300	1496.0	33.0	1735.0	1257.0	-35.9	180.0	364.1	239.0	179.8
S 15653	◇ P225/75R15	326.0	5300	1496.0	33.0	1735.0	1257.0	-35.9	180.0	364.1	239.0	179.8
S 15403	◇ P225/75R15	326.0	4850	1496.0	33.0	1735.0	1257.0	-35.9	180.0	364.1	239.0	179.8
S 15643	◇ P225/75R15	326.0	5500	1556.0	23.0	1795.0	1317.0	-5.9	180.0	364.1	239.0	179.8
S 15653	◇ P225/75R15	326.0	5500	1556.0	23.0	1795.0	1317.0	-5.9	180.0	364.1	239.0	179.8
S 15643	◇ P225/75R15	326.0	5300	1556.0	23.0	1795.0	1317.0	-5.9	180.0	364.1	239.0	179.8
S 15653	◇ P225/75R15	326.0	5300	1556.0	23.0	1795.0	1317.0	-5.9	180.0	364.1	239.0	179.8

GMT355-REAR AXLE/TIRE DATA CHART; S/T15403,15643,15653,15603 2008i

10OC07 JF

METRIC CONVERSION TO INCHES
MM / 25.4 = INCHES

COLORADO/CANYON S/T P.U. AND CHASSIS-CAB

Rear Axle / Tire Data (cont'd)

SERIES	TIRES	SLR	GVW RANGE	TRACK	WHEEL OFFSET	DIM A	DIM B	DIM C	DIM D	DIM E	DIM F	DIM G
S 15643	◇ P235/50R18	322.0	5500	1547.0	29.0	1809.0	1285.0	-10.0	165.1	361.0	262.0	175.8
S 15653	◇ P235/50R18	322.0	5500	1547.0	29.0	1809.0	1285.0	-10.0	165.1	361.0	262.0	175.8
S 15643	◇ P235/50R18	322.0	5300	1547.0	29.0	1809.0	1285.0	-10.0	165.1	361.0	262.0	175.8
S 15653	◇ P235/50R18	322.0	5300	1547.0	29.0	1809.0	1285.0	-10.0	165.1	361.0	262.0	175.8
S 15643	◇ P235/75R16	347.0	5300	1460.0	41.0	1712.0	1208.0	-55.0	200.0	385.2	252.0	200.8
S 15653	◇ P235/75R16	347.0	5300	1460.0	41.0	1712.0	1208.0	-55.0	200.0	385.2	252.0	200.8
S 15643	◇ P235/75R16	347.0	5500	1460.0	41.0	1712.0	1208.0	-55.0	200.0	385.2	252.0	200.8
S 15653	◇ P235/75R16	347.0	5500	1460.0	41.0	1712.0	1208.0	-55.0	200.0	385.2	252.0	200.8
T 15643	◇ P235/75R16	347.0	5300	1460.0	41.0	1712.0	1208.0	-55.0	200.0	385.2	252.0	200.8
T 15653	◇ P235/75R16	333.0	5300	1460.0	41.0	1712.0	1208.0	-55.0	200.0	385.2	252.0	186.8
T 15643	◇ P235/75R16	333.0	5500	1460.0	41.0	1712.0	1208.0	-55.0	200.0	385.2	252.0	186.8
T 15653	◇□ P235/75R16	333.0	5500	1460.0	41.0	1712.0	1208.0	-55.0	200.0	385.2	252.0	186.8
T 15403	◇□ P235/75R16	333.0	5150	1460.0	41.0	1712.0	1208.0	-55.0	200.0	385.2	252.0	186.8
T 15643	◇□ P235/75R15	333.0	5300	1460.0	41.0	1702.0	1218.0	-43.6	190.3	374.5	242.0	186.8
T 15643	◇□ P235/75R15	333.0	5500	1460.0	41.0	1702.0	1218.0	-43.6	190.3	374.5	242.0	186.8
T 15653	◇□ P235/75R15	333.0	5300	1460.0	41.0	1702.0	1218.0	-43.6	190.3	374.5	242.0	186.8
T 15653	◇□ P235/75R15	333.0	5500	1460.0	41.0	1702.0	1218.0	-43.6	190.3	374.5	242.0	186.8
T 15403	◇□ P235/75R15	333.0	5150	1460.0	41.0	1702.0	1218.0	-43.6	190.3	374.5	242.0	186.8
S 15603	◇□ P235/75R15	333.0	5300	1520.0	33.0	1762.0	1278.0	-13.6	190.3	374.5	242.0	186.8
T 15603	◇□ P235/75R15	333.0	5300	1520.0	33.0	1762.0	1278.0	-13.6	190.3	374.5	242.0	186.8
T 15643	◇□ P235/75R15	333.0	5300	1520.0	33.0	1762.0	1278.0	-13.6	190.3	374.5	242.0	186.8
T 15643	◇□ P235/75R15	333.0	5500	1520.0	33.0	1762.0	1278.0	-13.6	190.3	374.5	242.0	186.8
T 15653	◇□ P235/75R15	333.0	5300	1520.0	33.0	1762.0	1278.0	-13.6	190.3	374.5	242.0	186.8
T 15653	◇□ P235/75R15	333.0	5500	1520.0	33.0	1762.0	1278.0	-13.6	190.3	374.5	242.0	186.8
T 15403	◇□ P235/75R15	333.0	5150	1520.0	33.0	1762.0	1278.0	-13.6	190.3	374.5	242.0	186.8
T 15643	◇□ P235/75R15	333.0	5300	1460.0	41.0	1702.0	1218.0	-43.6	190.3	374.5	242.0	186.8
T 15643	◇□ P235/75R15	333.0	5500	1460.0	41.0	1702.0	1218.0	-43.6	190.3	374.5	242.0	186.8
T 15653	◇□ P235/75R15	333.0	5300	1460.0	41.0	1702.0	1218.0	-43.6	190.3	374.5	242.0	186.8
T 15653	◇□ P235/75R15	333.0	5500	1460.0	41.0	1702.0	1218.0	-43.6	190.3	374.5	242.0	186.8
T 15403	◇□ P235/75R15	333.0	5150	1460.0	41.0	1702.0	1218.0	-43.6	190.3	374.5	242.0	186.8
S 15603	◇□ P235/75R15	333.0	5300	1520.0	33.0	1762.0	1278.0	-13.6	190.3	374.5	242.0	186.8
T 15603	◇□ P235/75R15	333.0	5300	1520.0	33.0	1762.0	1278.0	-13.6	190.3	374.5	242.0	186.8
T 15643	◇□ P235/75R15	333.0	5300	1520.0	33.0	1762.0	1278.0	-13.6	190.3	374.5	242.0	186.8
T 15643	◇□ P235/75R15	333.0	5500	1520.0	33.0	1762.0	1278.0	-13.6	190.3	374.5	242.0	186.8
T 15653	◇□ P235/75R15	333.0	5300	1520.0	33.0	1762.0	1278.0	-13.6	190.3	374.5	242.0	186.8
T 15653	◇□ P235/75R15	333.0	5500	1520.0	33.0	1762.0	1278.0	-13.6	190.3	374.5	242.0	186.8
T 15403	◇□ P235/75R15	333.0	5150	1520.0	33.0	1762.0	1278.0	-13.6	190.3	374.5	242.0	186.8

GMT355-REAR AXLE/TIRE DATA CHART; S/T15403,15643,15653,15603 2008i

100C07 JF

METRIC CONVERSION TO INCHES
MM / 25.4 = INCHES

COLORADO/CANYON S/T P.U. AND CHASSIS-CAB

Rear Axle / Tire Data (cont'd)

SERIES	TIRES	SLR	GVW RANGE	TRACK	WHEEL OFFSET	DIM A	DIM B	DIM C	DIM D	DIM E	DIM F	DIM G
S 15643	☐ P265/70R17	355.5	5300	1537.0	31.5	1813.0	1261.0	-29.0	223.0	410.0	276.0	209.3
S 15653	☐ P265/70R17	355.5	5300	1537.0	31.5	1813.0	1261.0	-29.0	223.0	410.0	276.0	209.3
T 15643	☐ P265/70R17	355.5	5300	1537.0	31.5	1813.0	1261.0	-29.0	223.0	410.0	276.0	209.3
T 15653	☐ P265/70R17	355.5	5300	1537.0	31.5	1813.0	1261.0	-29.0	223.0	410.0	276.0	209.3
T 15403	☐ P265/70R17	355.5	5150	1537.0	31.5	1813.0	1261.0	-29.0	223.0	410.0	276.0	209.3
S 15643	☐ P265/70R17	355.5	5500	1537.0	31.5	1813.0	1261.0	-29.0	223.0	410.0	276.0	209.3
S 15653	☐ P265/70R17	355.5	5500	1537.0	31.5	1813.0	1261.0	-29.0	223.0	410.0	276.0	209.3
T 15643	☐ P265/70R17	355.5	5500	1537.0	31.5	1813.0	1261.0	-29.0	223.0	410.0	276.0	209.3
T 15653	☐ P265/70R17	355.5	5500	1537.0	31.5	1813.0	1261.0	-29.0	223.0	410.0	276.0	209.3
T 15643	☐ P265/75R15	355.5	5300	1477.0	33.0	1753.0	1201.0	-52.3	212.0	397.5	276.0	209.3
T 15653	☐ P265/75R15	355.5	5300	1477.0	33.0	1753.0	1201.0	-52.3	212.0	397.5	276.0	209.3
T 15403	☐ P265/75R15	355.5	5150	1477.0	33.0	1753.0	1201.0	-52.3	212.0	397.5	276.0	209.3
S 15643	☐ P265/75R15	355.5	5300	1477.0	33.0	1753.0	1201.0	-52.3	212.0	397.5	276.0	209.3
S 15653	☐ P265/75R15	355.5	5300	1477.0	33.0	1753.0	1201.0	-52.3	212.0	397.5	276.0	209.3
T 15643	☐ P265/75R15	355.5	5500	1477.0	33.0	1753.0	1201.0	-52.3	212.0	397.5	276.0	209.3
T 15653	☐ P265/75R15	355.5	5500	1477.0	33.0	1753.0	1201.0	-52.3	212.0	397.5	276.0	209.3
T 15403	☐ P265/75R15	355.5	5500	1477.0	33.0	1753.0	1201.0	-52.3	212.0	397.5	276.0	209.3
S 15643	☐ P265/75R15	355.5	5300	1477.0	33.0	1753.0	1201.0	-52.3	212.0	397.5	276.0	209.3
S 15653	☐ P265/75R15	355.5	5300	1477.0	33.0	1753.0	1201.0	-52.3	212.0	397.5	276.0	209.3
T 15643	☐ P265/75R15	355.5	5300	1537.0	33.0	1813.0	1261.0	-22.3	212.0	397.5	276.0	209.3
T 15453	☐ P265/75R15	355.5	5300	1537.0	33.0	1813.0	1261.0	-22.3	212.0	397.5	276.0	209.3
T 15403	☐ P265/75R15	355.5	5150	1537.0	33.0	1813.0	1261.0	-22.3	212.0	397.5	276.0	209.3
S 15643	☐ P265/75R15	355.5	5300	1537.0	33.0	1813.0	1261.0	-22.3	212.0	397.5	276.0	209.3
S 15653	☐ P265/75R15	355.5	5300	1537.0	33.0	1813.0	1261.0	-22.3	212.0	397.5	276.0	209.3
T 15643	☐ P265/75R15	355.5	5500	1537.0	33.0	1813.0	1261.0	-22.3	212.0	397.5	276.0	209.3
T 15453	☐ P265/75R15	355.5	5500	1537.0	33.0	1813.0	1261.0	-22.3	212.0	397.5	276.0	209.3
S 15643	☐ P265/75R15	355.5	5500	1537.0	33.0	1813.0	1261.0	-22.3	212.0	397.5	276.0	209.3
S 15653	☐ P265/75R15	355.5	5500	1537.0	33.0	1813.0	1261.0	-22.3	212.0	397.5	276.0	209.3

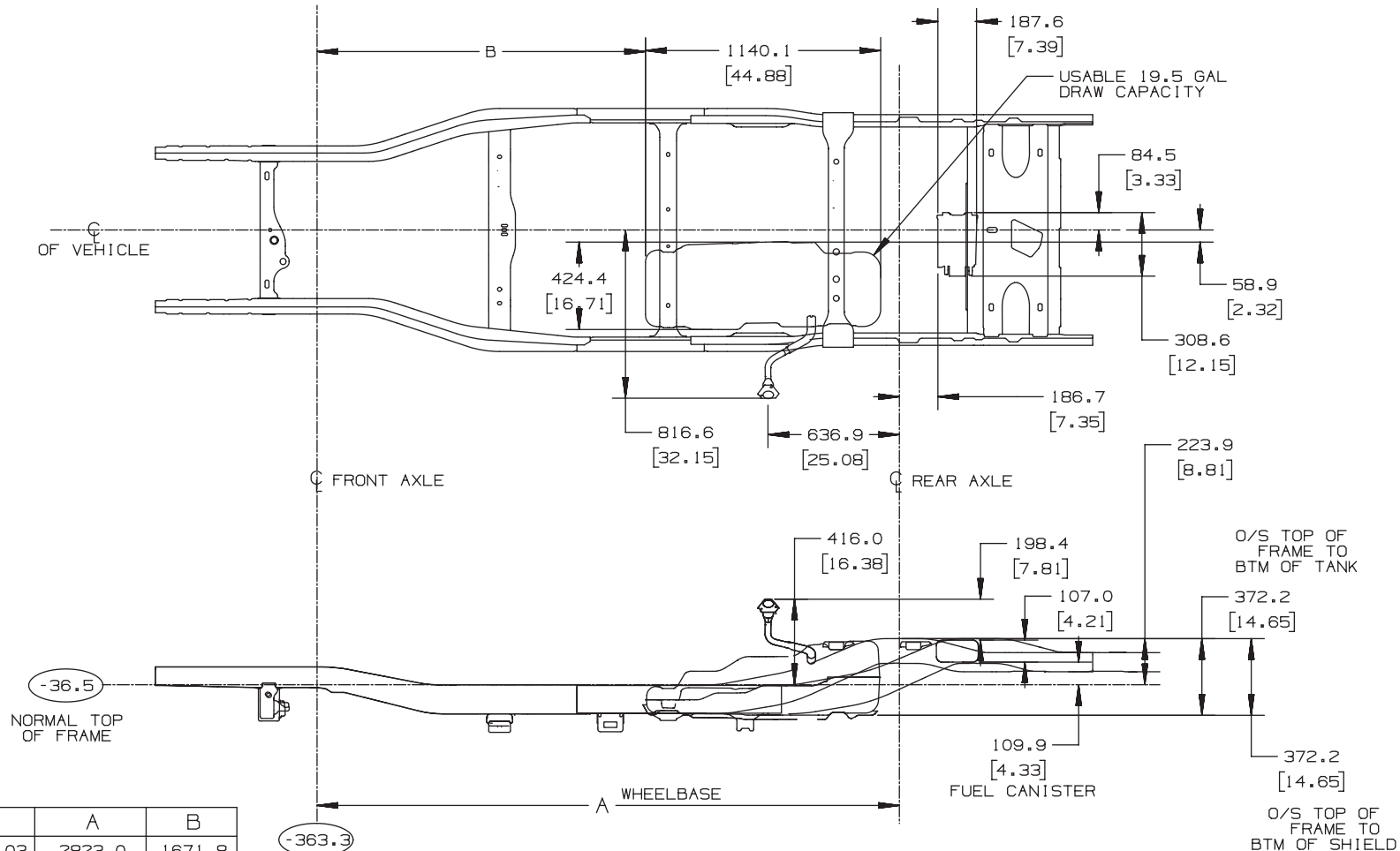
GMT355-REAR AXLE/TIRE DATA CHART; S/T15403,15643,15653,15603 2008i

100C07 JF

METRIC CONVERSION TO INCHES
MM / 25.4 = INCHES

COLORADO/CANYON S/T P.U. AND CHASSIS-CAB

Fuel Systems S/T15403 & S/T15603 & S/T15653

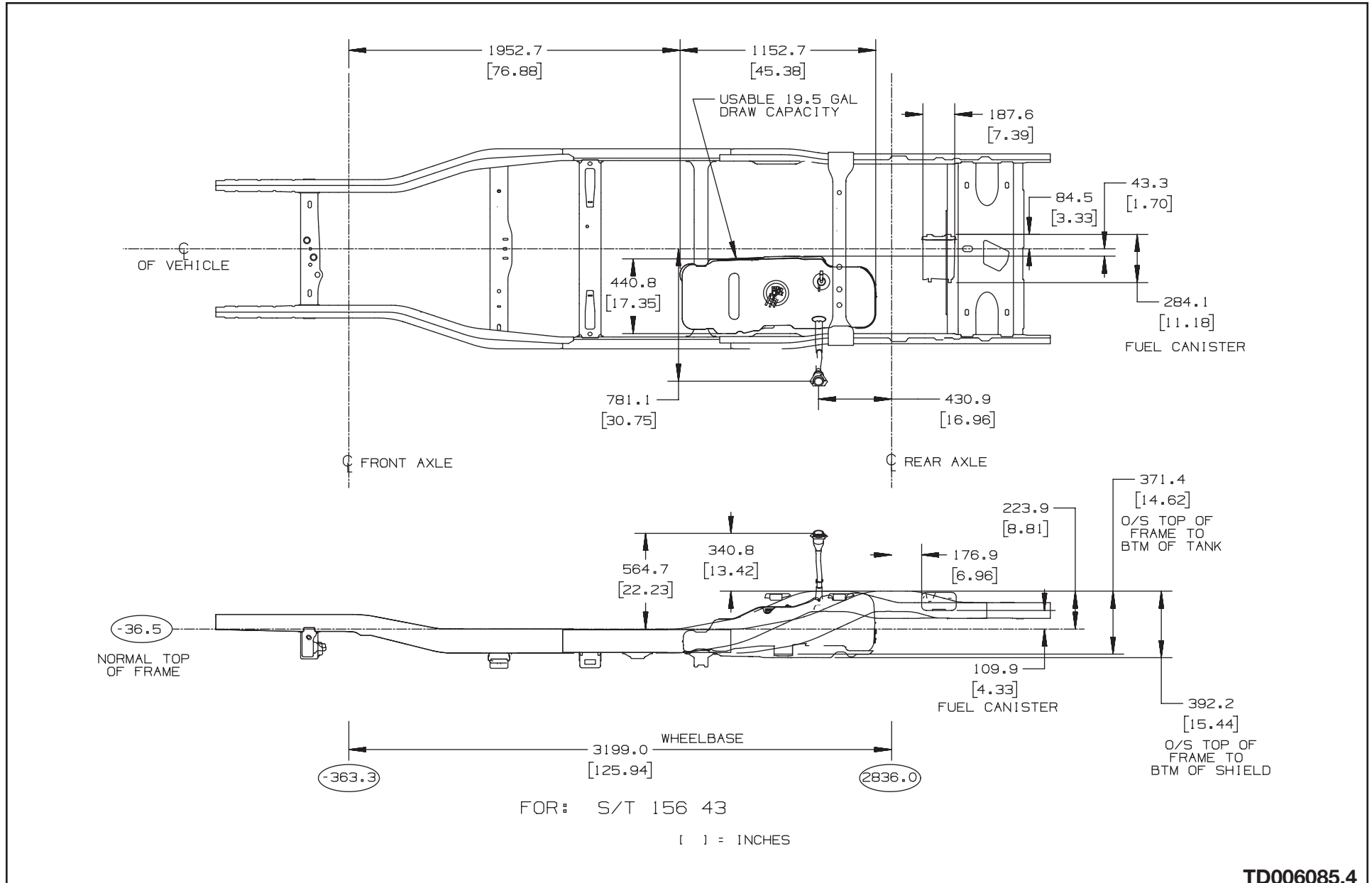


MODEL	A	B
S/T 154 03	2823.0	1671.8
S/T 156 53	3199.0	2328.7
S/T 156 03	3199.0	2328.7

FOR: S/T 154 03, S/T 156 03 AND S/T 156 53

[] = INCHES

Fuel Systems S/T15643

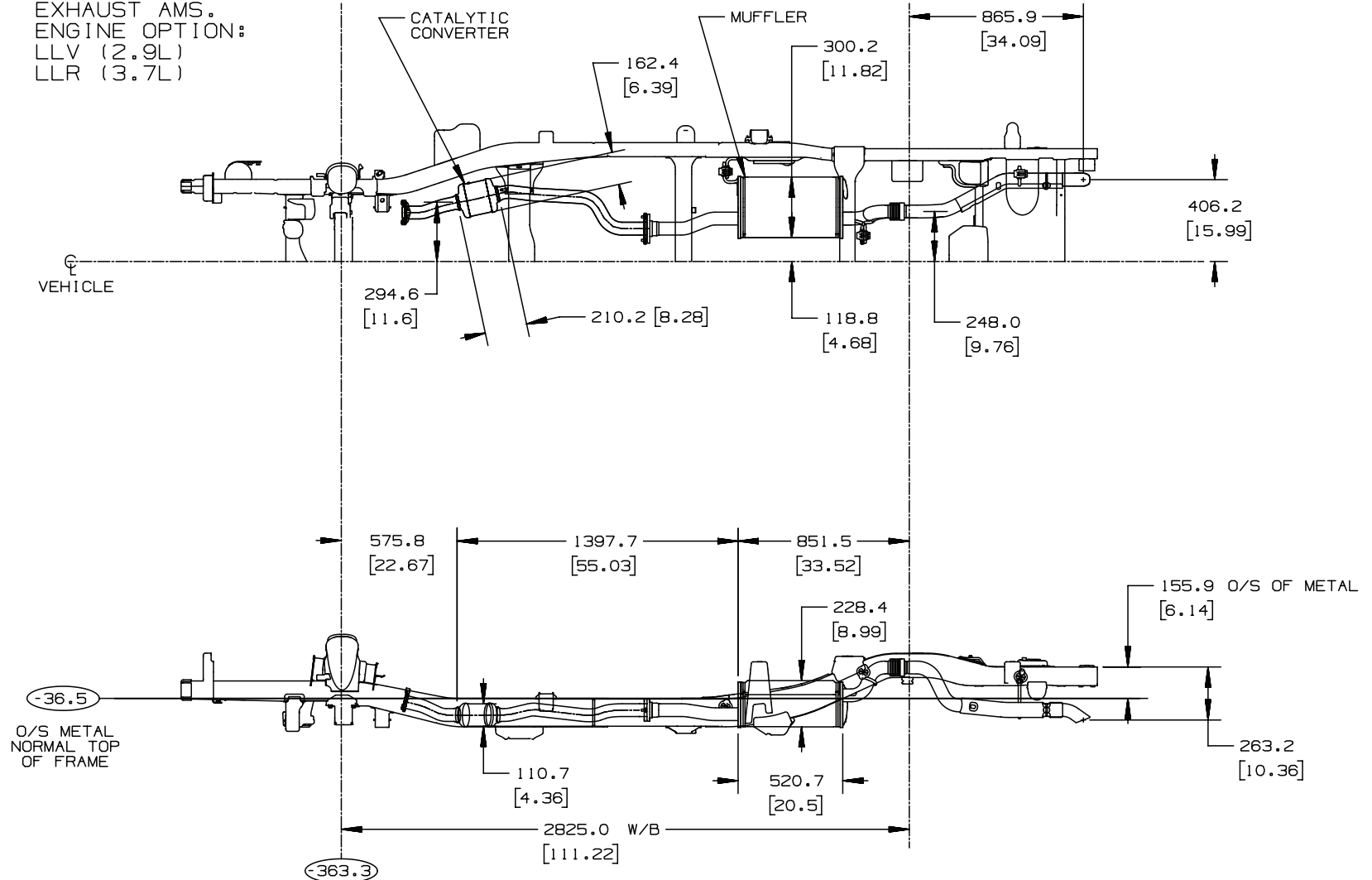


TD006085.4

COLORADO/CANYON S/T P.U. AND CHASSIS-CAB

Exhaust System S15403

FOR: S 154 03
EXHAUST AMS.
ENGINE OPTION:
LLV (2.9L)
LLR (3.7L)



GMT355 EXHAUST ASM S/154 (03) 2008

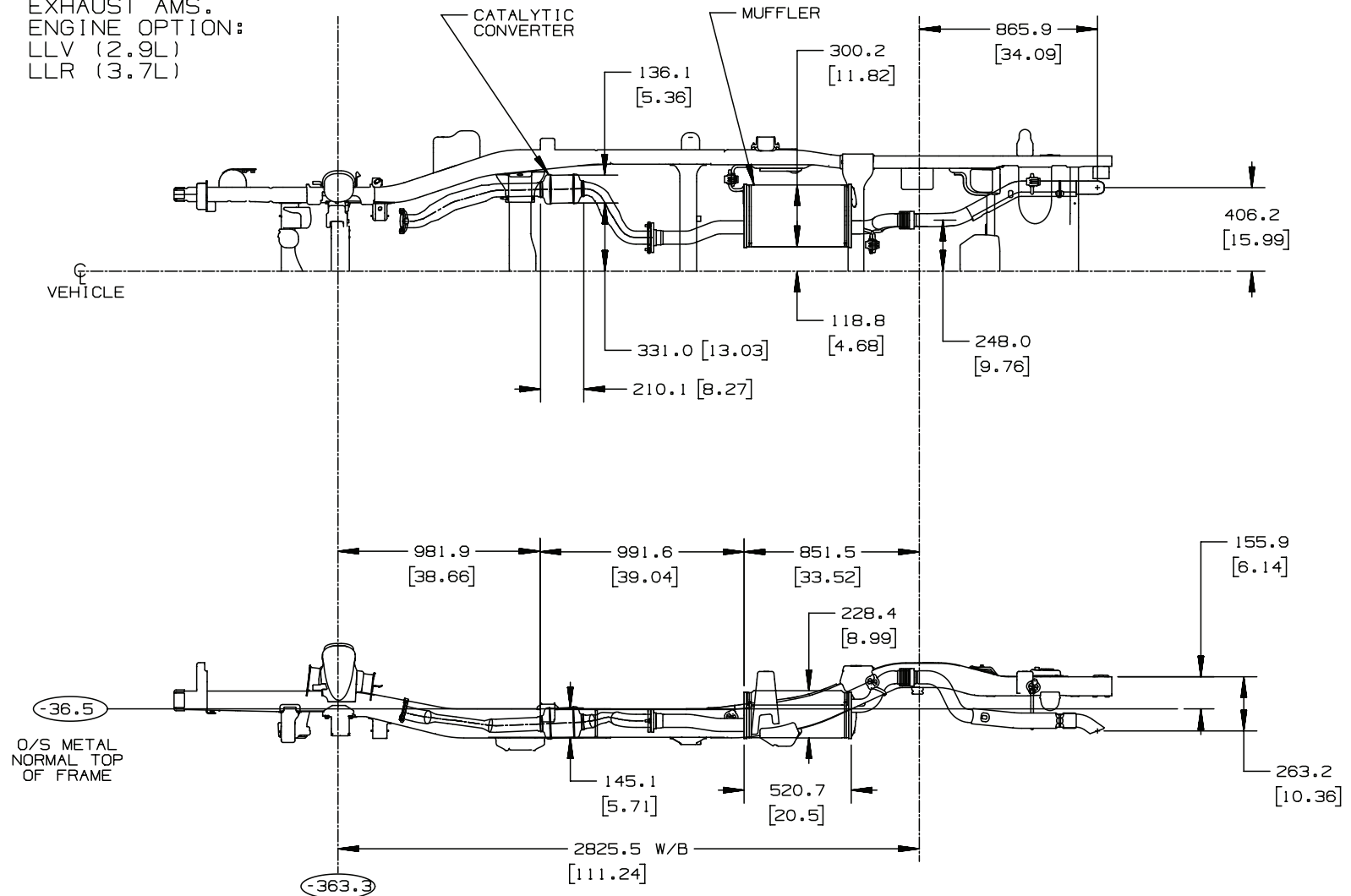
[] = INCHES

TD006086.8

COLORADO/CANYON S/T P.U. AND CHASSIS-CAB

Exhaust System T15403

FOR: T 154 03
EXHAUST AMS.
ENGINE OPTION:
LLV (2.9L)
LLR (3.7L)



GMT355 EXHAUST ASM T/154 (03) 2008

JF/02MY07

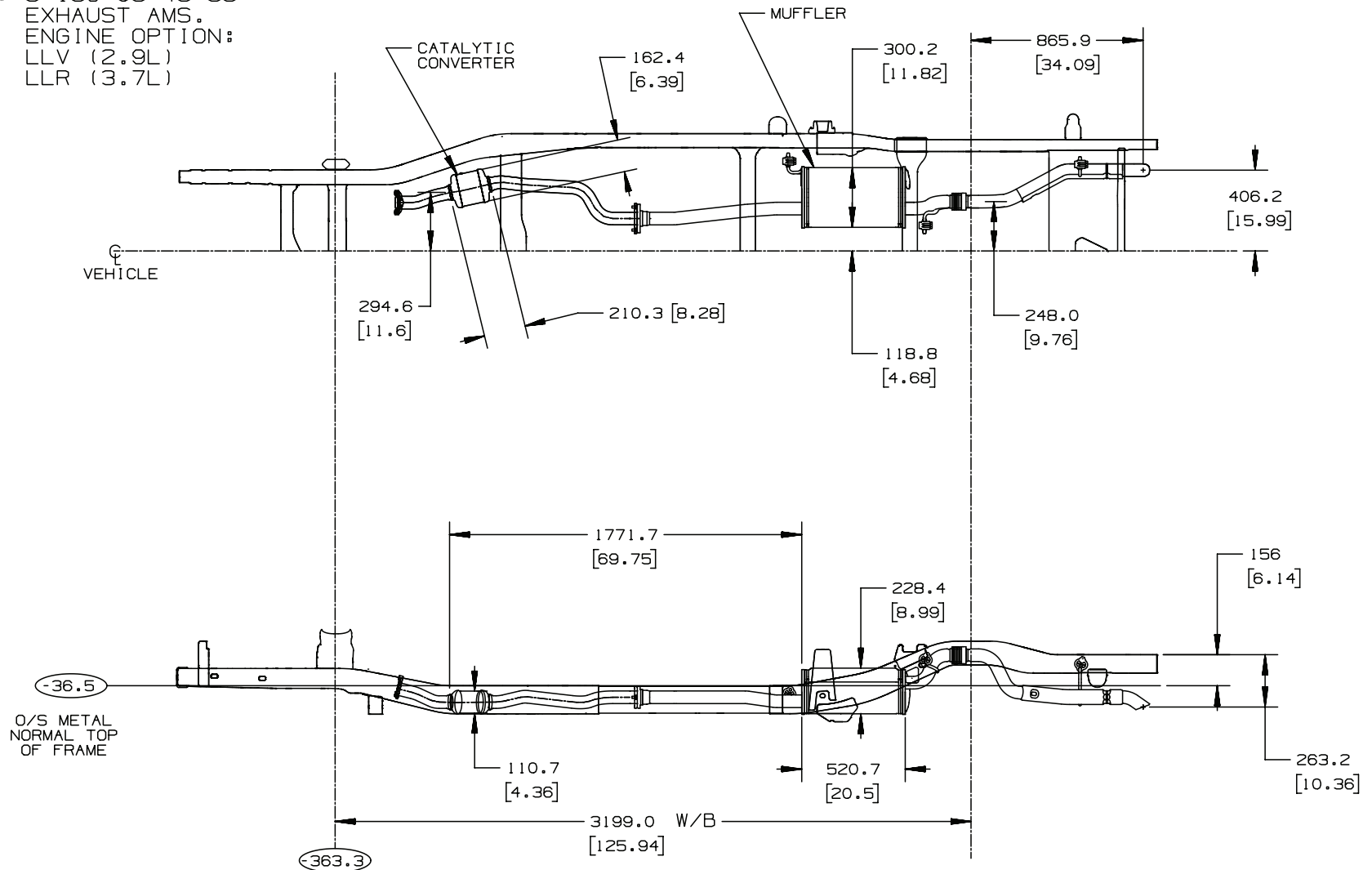
[] = INCHES

TD006086.9

COLORADO/CANYON S/T P.U. AND CHASSIS-CAB

Exhaust System S156 (03/43/53)

FOR: S 156 03 43 53
EXHAUST AMS.
ENGINE OPTION:
LLV (2.9L)
LLR (3.7L)



GMT355 EXHAUST ASM S/156 (03,43,53) 2008

JF/02MY07

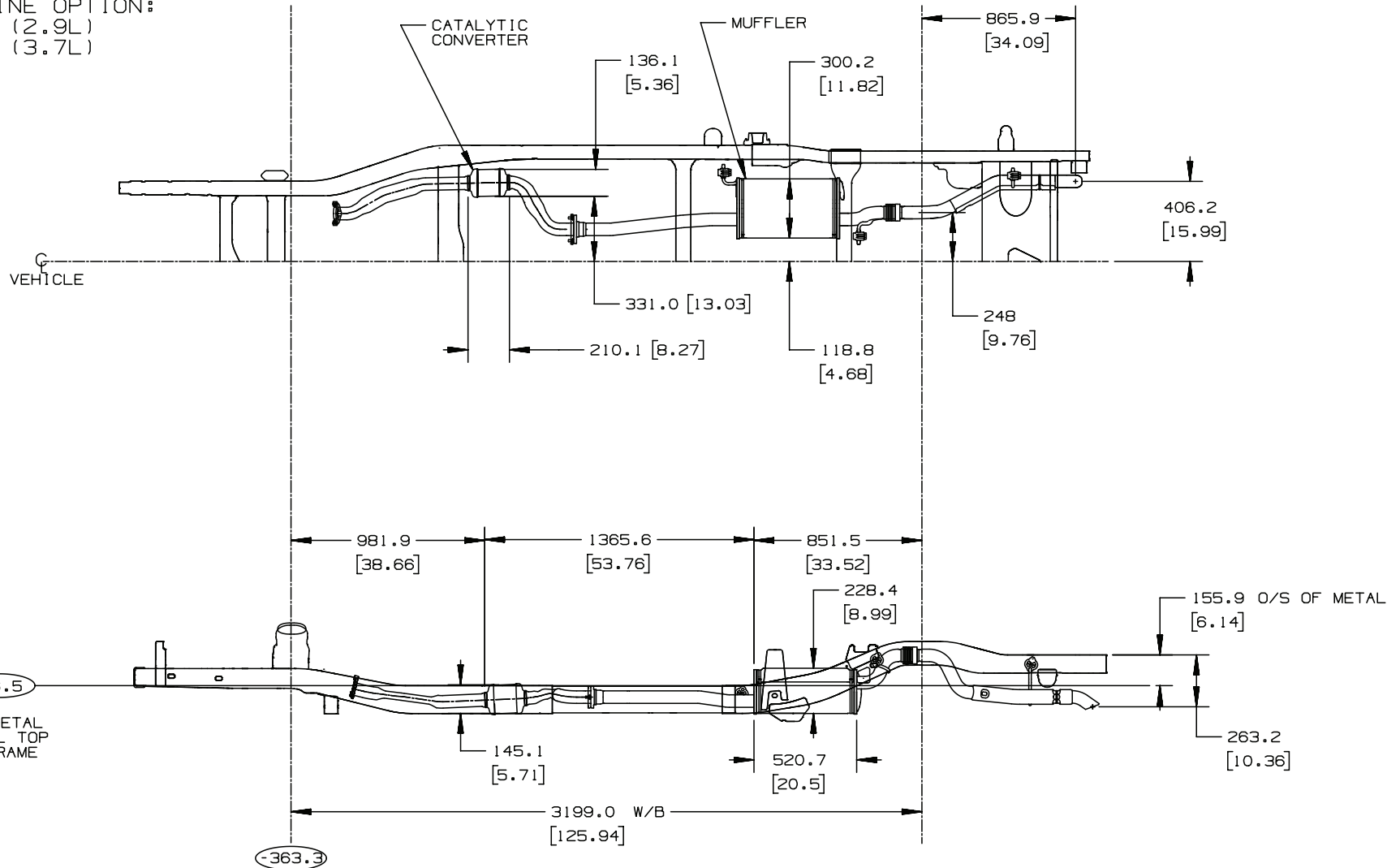
[] = INCHES

TD006086.10

COLORADO/CANYON S/T P.U. AND CHASSIS-CAB

Exhaust System T156 (03/43/53)

FOR: T 156 (43,53)
 EXHAUST AMS.
 ENGINE OPTION:
 LLV (2.9L)
 LLR (3.7L)



GMT355 EXHAUST ASM T/156 (43,53) 2008

JF/02MY07

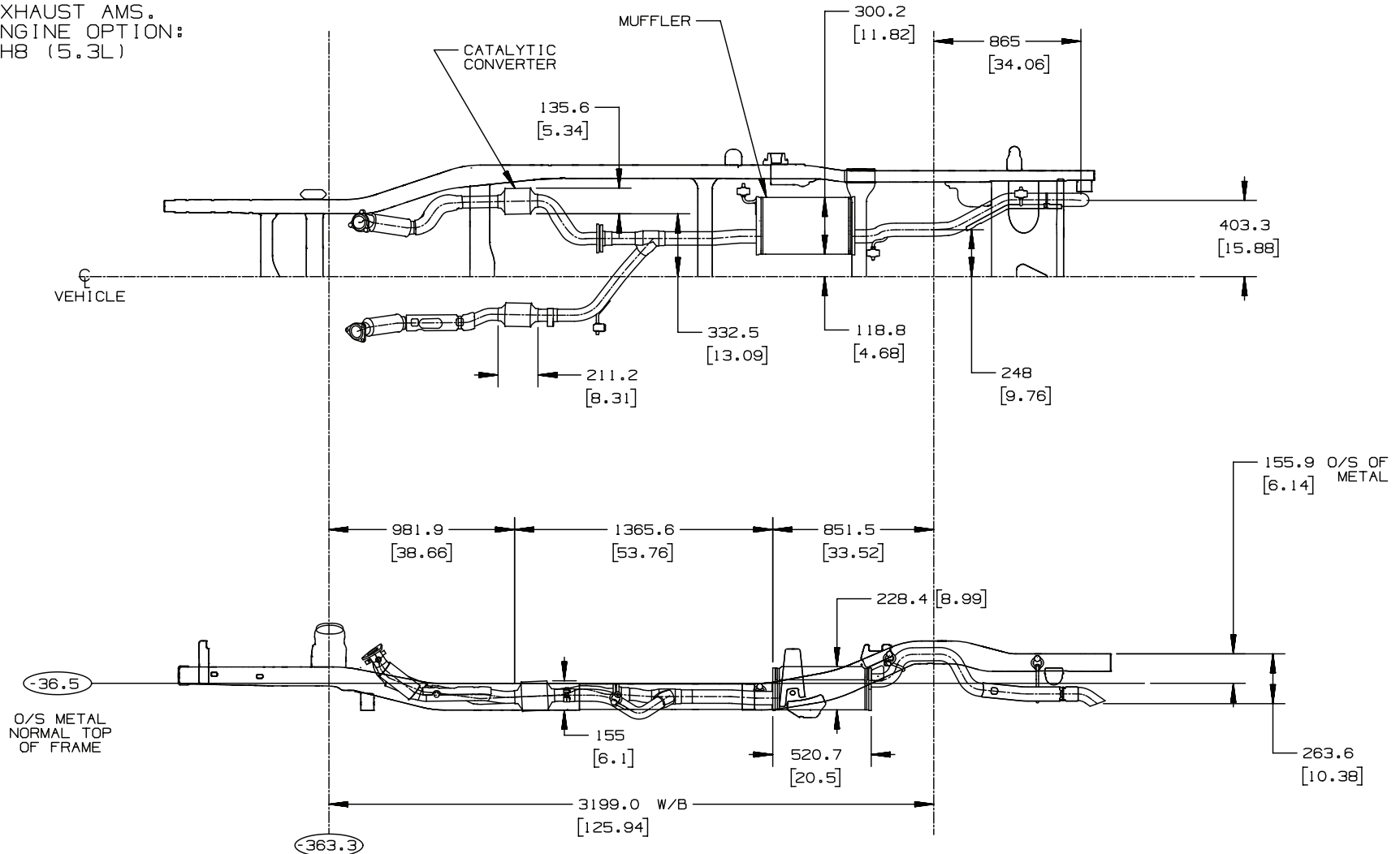
[] = INCHES

TD006086.11

COLORADO/CANYON S/T P.U. AND CHASSIS-CAB

Exhaust System S/T 15653 & S/T 15643 With 5.3L V8 Option LH8

FOR: S156(53)/T156(43)
 EXHAUST ASM.
 ENGINE OPTION:
 LH8 (5.3L)



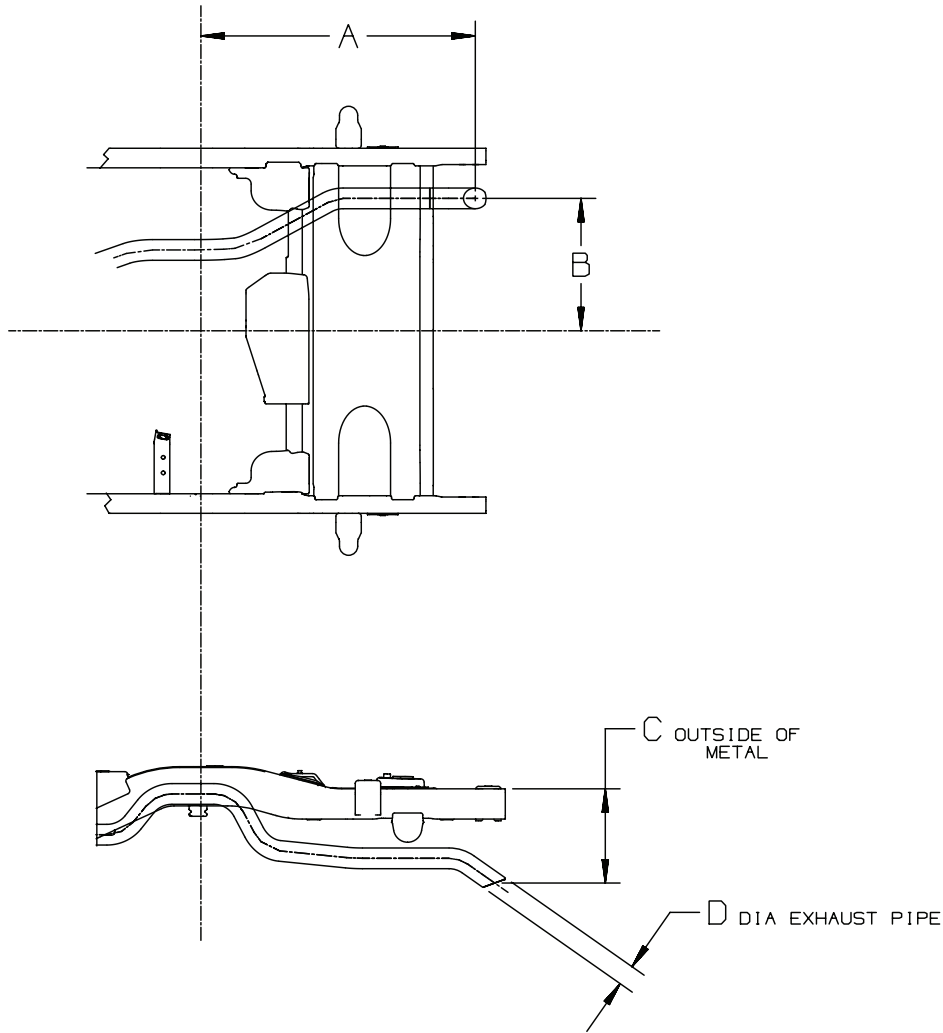
GMT355 EXHAUST ASM S/156 (53);T/156 (43) 2008.5

JF/15MAR07

() = INCHES

TD006086.12

Tailpipe Locations S/T15 (000)



MODEL	ENGINE	A	B	C	D (DIA)
S 15403	LLV 2.9L	865.90	406.20	263.20	63.50
S 15403	LLR 3.7L	865.90	406.20	263.20	63.50
T 15403	LLV 2.9L	865.90	406.20	263.20	63.50
T 15403	LLR 3.7L	865.90	406.20	263.20	63.50
S 15603	LLV 2.9L	865.90	406.20	263.20	63.50
S 15603	LLR 3.7L	865.90	406.20	263.20	63.50
S 15643	LLV 2.9L	865.90	406.20	263.20	63.50
S 15643	LLR 3.7L	865.90	406.20	263.20	63.50
T 15643	LLV 2.9L	865.90	406.20	263.20	63.50
T 15643	LLR 3.7L	865.90	406.20	263.20	63.50
S 15653	LLV 2.9L	865.90	406.20	263.20	63.50
S 15653	LLR 3.7L	865.90	406.20	263.20	63.50
T 15653	LLV 2.9L	865.90	406.20	263.20	63.50
T 15653	LLR 3.7L	865.90	406.20	263.20	63.50
S 15653	LH8 5.3L	865.00	403.30	263.60	63.50
T 15643	LH8 5.3L	865.00	403.30	263.60	63.50

FOR: S/T TAIL PIPE LOCATIONS

GMT355 S/T TAIL PIPE LOCATIONS 2008

JF/02MY07

[] = INCHES

TD006086.13